

# SELF BUILD PACK

## THANK YOU

---

Thank you for choosing Mercia Garden Products for your new garden building.

This Installation pack will provide you with all the necessary information about our service, the building instructions, and how to get the most out of your garden building in the future.

If you need any further support or advice our friendly Customer Service team are on hand to help. They are available to call on 01636 821215 or email at [customerservice@merciagp.co.uk](mailto:customerservice@merciagp.co.uk)

Thanks again!  
The Mercia Garden Products Team

# CONTENT

**3** **CREATING ACCESS FOR  
YOUR NEW GARDEN BUILDING**

---

**4** **PREPARING THE PERFECT BASE  
FOR YOUR BUILDING**

---

**5** **MANUFACTURERS RECOMMENDATIONS**

---

**8** **ACCESSING VIDEO GUIDES  
THROUGH QR CODES**

---

**9** **RECOMMENDED EQUIPMENT**

---

**10** **PACK CONTENTS**

---

**15** **FLOOR INSTALLATION**

**22** **WALL INSTALLATION**

---

**30** **GABLE INSTALLATION**

---

**34** **ROOF INSTALLATION**

---

**45** **TRIMS AND FINISHING TOUCHES  
INSTALLATION**

---

**58** **HOW TO TREAT  
YOUR NEW GARDEN BUILDING**

---

**59** **FREQUENTLY ASKED QUESTIONS**

---

**60** **WARRANTY AND GUARANTEE**

---

**62** **CONTACT US**

# CREATING ACCESS FOR YOUR NEW GARDEN BUILDING

## DELIVERY ACCESS

---



All our deliveries take place between 7am and 7pm.



On the day of delivery, we will send you a text to confirm your estimate two hour delivery slot and a link to our delivery portal.



Your item will be delivered by either a 3.5T, 7.5T or 18T flat bed vehicle.



You will be able to track the exact location of the driver and an accurate arrival time.



Your item will be delivered by one delivery driver.



Your item will be delivered to kerbside only.

## NEED EXTRA SUPPORT

---

If you are unsure that your base preparation will be suitable, please contact us on 01636 821215 to discuss this further.

Alternatively, you can visit our website or MGP Logistics Online Portal for some further shed education.

### Website:

<https://www.merciagardenproducts.co.uk/shededucation>

### MGP Logistics Online Portal:

<https://www.mgplogistics.co.uk/>

Here you will find plenty of useful information that'll help with most pre-installation and maintenance queries.

## BUILD ACCESS

---

### Is there sufficient space around the build site to allow ease of access?

There must be a minimum of 600mm or 24 inches of clearance on all sides of your garden building. This clearance is essential to allow enough room to install your garden building and for you to annually maintain with preservative and waterproof treatment.

# PREPARING THE PERFECT BASE FOR YOUR BUILDING

To prolong the life of your new building, a suitable base must be prepared prior to your installation.

## PRESSURE TREATMENT

The buildings floor bearers have been pressure treated.

Pressure treating is a chemical process which helps to protect wood against adverse weather which could lead to rot or insect damage.

The most common chemicals used to pressure treat wood are **Alkaline Copper Quaternary (ACQ)**, **Copper Azole (CA)**, and **Micronized Copper Quaternary (MCQ)**.

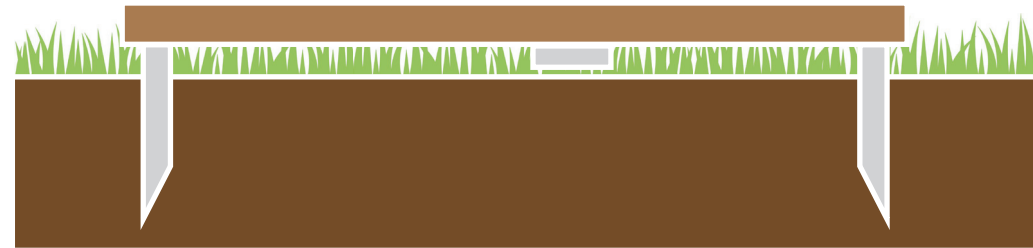
**Safety:** Always wear gloves, eye protection and dust mask when handling wood. Due to chemicals in pressure treated wood, never burn its sawdust or scraps; instead dispose in a landfill.

## BASE REQUIREMENTS

The base for your garden building must be;

- ✓ Firm, solid and level.
- ✓ Square across the diagonals and level by spirit level.
- ✓ No smaller than the size of your chosen product.  
Please take into account the roof overhang from the product for any eave height obstructions.

We **do not advise** to install our garden buildings directly onto gravel or other unpaved surfaces. This is due to the possibility of subsidence and rot. Timber frame bases are often an ideal base solution for unpaved areas



## SUITABLE BASES

Your new garden building must be installed on one of the following bases:

- ✓ **A concrete base.**
- ✓ **A paved base.**
- ✓ **A decked construction.**
- ✓ **A timber framework.**



**ANY QUESTIONS? CONTACT US ON**  
01636 821215

# MANUFACTURERS RECOMMENDATIONS

All our garden buildings have been designed and manufactured with care and attention to be the perfect addition to your outdoor space. Product instructions and our manufacturer's recommendations as detailed below.

## 1 CHOOSING THE MOST SUITABLE LOCATION FOR YOUR GARDEN BUILDING...

A minimum of 600mm should be left around the perimeter of your garden building to allow access for maintenance, annual treatment and to allow air flow around the building.

Where possible you should avoid placing your garden building underneath large trees to prevent the tree causing damage to the building.

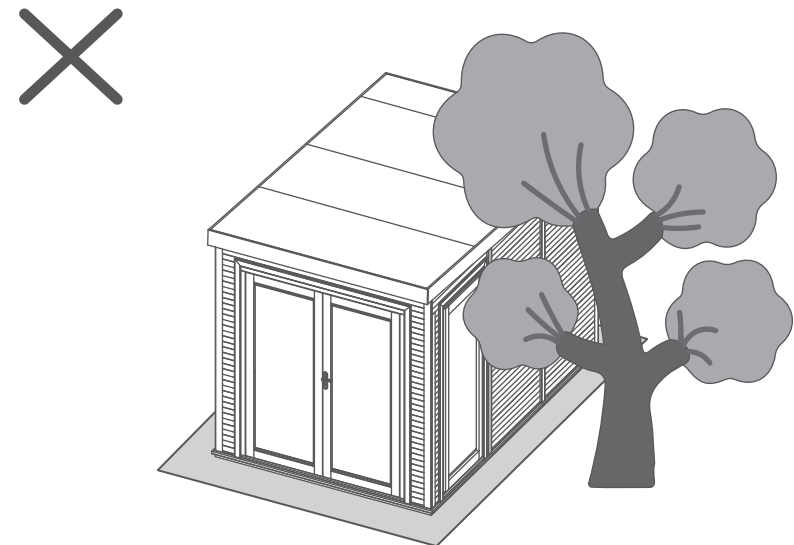
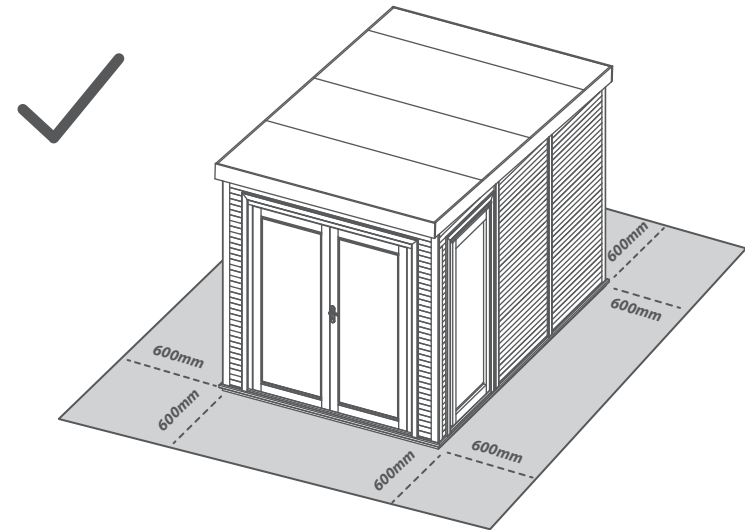
## 2 PREPARING THE BASE FOR YOUR GARDEN BUILDING...

All our buildings must be built on a firm, solid, level base to ensure the longevity of the building and prevent the wood from distorting.

We recommend either concrete, concrete slabs or a wooden base. The base should be slightly smaller than the external measurement of the building, i.e. the cladding should overlap the base, creating a run off for water and preventing water from pooling underneath the building.

We also recommend that the floor of the garden building is a minimum of 25mm above the surrounding ground level to avoid flooding.

For more information on this please turn to page 4.



# MANUFACTURERS RECOMMENDATIONS

## 3 PREPARING TO CONSTRUCT YOUR GARDEN BUILDING...

To ensure there is a safe and efficient environment for you to construct your garden building, there are some steps that need to be taken prior to beginning your build and throughout the duration of your build...



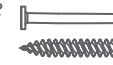
All buildings should be erected by two adults.



For ease of assembly we recommend the use of a variety of different tools. See Page 9 for the full list.

### Screws & Nails

Measure overall length



### Bolts

Measure under the head

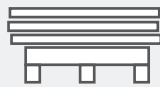


To identify the fixings required for each step, use a measuring tape.



Plan accordingly...

Please note that this garden building may take more than one day to fully construct.



Storage of parts...

When storing the parts for your garden building, ensure they are off the floor and covered with tarp to protect from the weather.



Check the weather forecast...

Ensure the day you choose to construct your garden building is dry and without wind. These extreme weather conditions could hinder the construction of your garden building.



Protection of your garden building...

When leaving your *unfinished* garden building, ensure to cover with tarp to protect from the weather and to avoid unwanted damage.



Checklist...

Before constructing your garden building, please ensure you have all the parts required and that they are in good condition. See page 14 for the pre-assembly checklist...



Please be aware that timber can change depending on the season:  
Winter=High Moisture=Expansion  
Summer=Low Moisture=Contraction



To ensure the base, building and installation of panels are even use a spirit level to check the building is being installed correctly



Building stability...

Please note that this garden building won't be fully stable until the walls and roofs are secured. Please be aware of this during the construction and support throughout.



For ease of assembly, you **MUST** pilot drill all screw holes and ensure all screw heads are countersunk.



**ANY QUESTIONS?**  
CONTACT US ON  
01636 821215

# MANUFACTURERS RECOMMENDATIONS

## 4 AFTER INSTALLATION OF YOUR GARDEN BUILDING...

Once your garden building has been installed it will need to be treated as soon as possible and annually to prevent the timber from deteriorating and to waterproof it. This is required to maintain the anti-rot guarantee.

**Insulated Garden Rooms** - Are supplied untreated and require a preservative and waterproofing treatment

Roofing felt/covering should be checked annually and replaced or fixed accordingly.

## 5 GENERAL MAINTENANCE AND WOOD CHARACTERISTICS...

**As wood is a natural material it may be affected by the following:**

**Shrinkage and warping** - The timber used in the construction of your garden building will have retained some of its natural moisture content. The moisture content of the timber will vary, depending upon prevailing environmental conditions, which will result in the components either naturally expanding or contracting. As the components dry out shrinkage may occur. A good waterproofing treatment from the start is the best protection to minimise the effect of moisture loss/intake.

In extended periods of very warm weather, getting some moisture to the building will help the overall balance. You can do this by spraying it down lightly with a garden hose. In contrast after snow fall try to remove the snow as best as possible from the roof to prevent moisture intake and to remove the extra weight.

**Top tip** - using a garden brush will help you to reach highest part of the building to remove snow and any debris left from bad weather.

**Sap** - is naturally occurring in wood and may appear in some boards of your garden building. If you wish to remove the sap, we advise waiting until it is dry and then using a sharp knife to carefully remove it.

If the removal of the sap causes a hole in the timber, we recommend using a good quality wood filler to fill it.

**Splits, cracks and knots** - You may notice small splits and cracks in some components or holes may appear where knots shrink and fall out. This will not affect the structure of your Garden building however if you wish to fill them this can be easily done using any good quality wood filler.

**Damp and mould** - During the winter months, cold and damp conditions can result in an increased amount of moisture within your garden building, especially when used infrequently.

Condensation can form on the timber and other items stored within your garden building. If left, this moisture is likely to cause mould and mildew. To prevent the build-up of moisture, we recommend leaving the door or windows of your building open from time to time, to allow the fresh air to circulate.

We also advise against storing wet or damp items in your garden building as this will also increase the level of moisture in the building.

If mould or mildew does start to form within your building we recommend using an anti-mould cleaner to remove it and to prevent it spreading, which if left untreated could permanently damage your garden building.



**ANY QUESTIONS?**  
CONTACT US ON  
01636 821215

**Take a look at our online portal for more helpful information!**

<https://www.mgplogistics.co.uk/>



# ACCESSING VIDEO GUIDES THROUGH QR CODES

## ACCESSING VIDEO GUIDES...

Some steps within this set of instructions come with an added video guide for your convenience. These can be accessed via the QR code and used to aid you in constructing that step. See below for how to use.

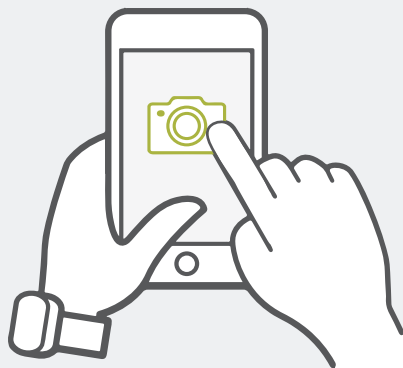
### 1. Find the QR code within the instruction step...



Within the instruction step, there will be a green icon in the top right that has a QR code in. This is where the video can be accessed from.

*Please note: not every step has a video guide.*

### 2. Open camera app...



On your personal smart device (phone, tablet etc), open your camera app or QR code scanner app.

## ACCESSING VIDEO GUIDES...

### 3. Scan QR code...



To scan the QR code, hold the camera over the QR code so that it can be seen on the screen. Once the QR code has been registered, follow the prompts on your device to open the video. (This will vary depending on your device.)

*Please note: Ensure to use the back camera of your smart device as this will scan the QR code more accurately.*

### 4. Watch the video...



The video guide will now be displayed on your smart device.

**Disclaimer:** The Self-Build Insulated Garden Room constructed in the video guides is a 3x4 and may be constructed differently to your building. Please ensure to read your instructions carefully to avoid error.

# RECOMMENDED EQUIPMENT

## Equipment list:

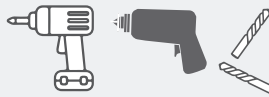
Please note: The items listed below are NOT included with the building. However we strongly advise the use of these tools and pieces of equipment throughout the construction of this garden building.



Stanley knife.



Scissors.



Drill, Pre-drill and Drill bits set.



Hand saw.



Circle saw/Jig saw/  
Mitre saw.



Work bench.



Angled cutting block.



Sealant application gun.



Rubber Mallet.



Hammer.



Tape Measure.



Clamps.



Flat-head screwdriver.



Spirit level.



Ladders.



Sand paper.



Gloves.



Wood filler  
(Optional).



Timber preservative  
treatment



Timber water  
proofing treatment.



Treatment mixing  
stick.



Paintbrush/sprayer/  
roller.



### CAUTION

Every effort has been made during the manufacturing process to eliminate the prospect of splinters on rough surfaces of the timber. You are strongly advised to wear gloves when working with or handling rough sawn timber.

Please note: For the construction of this building, we **highly recommend the use of electric power tools**, such as drills and circle/jig/mitre saws. This will increase efficiency and give a better quality finish to your garden building.

# CONTENTS

Before assembly  
please make sure you have a  
suitable base ready to erect your  
building



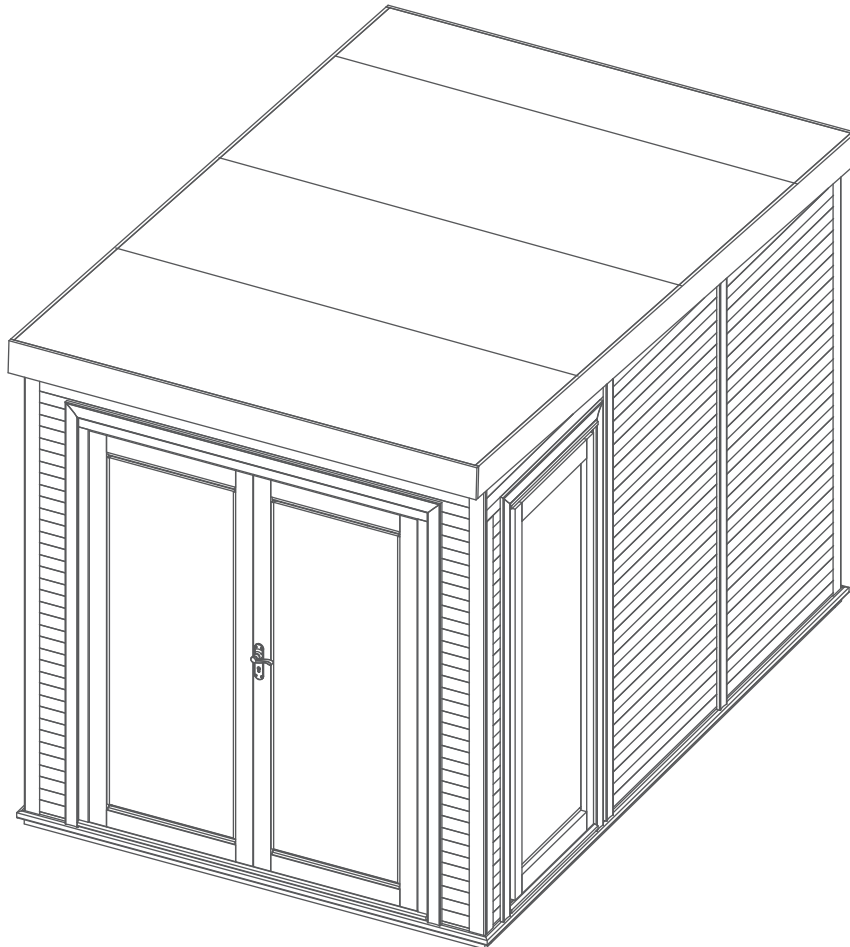
MADE IN GREAT BRITAIN



**ANY QUESTIONS?**  
CONTACT US ON  
01636 821215

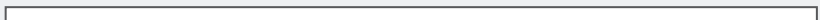

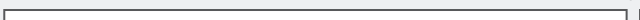
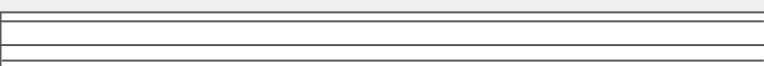

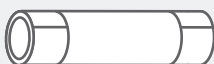
**Overall Dimensions:** Width = 2174mm  
Depth = 3345mm  
Height = 2366mm

**Base Dimensions:** Width = 2140mm  
Depth = 3140mm



Tip: Labelling your parts, using a pencil or masking tape, may help you to identify them easier when you need them.

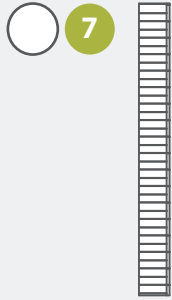
## Floor Contents:

- 1  (End View - EV)
- 2  (EV)
- 3  (EV)
- 4  (EV)
- 5  (EV)
- 6  (EV)

*\*This part will be longer than needed and requires cutting to size when used. This will be explained when required within the instruction step.  
Note: one piece may be required to be cut into multiple different sizes. Do not dispose of off-cuts until the building is fully constructed as they may be needed in another step.*

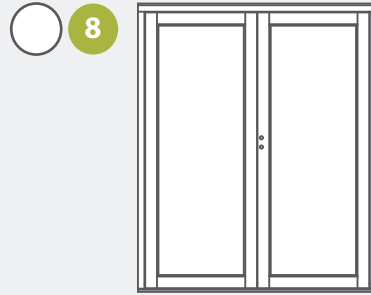
# CONTENTS

## Walls Contents:



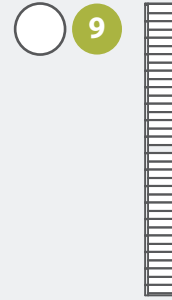
7

**Left Door Panel**  
208mm x 1984mm QTY 1  
*AI-11CASDDPPFL-V1*



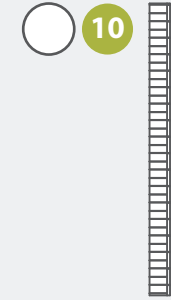
8

**Double Door Frame**  
1620mm x 1960mm QTY 1  
*PI-19-0006-V1*



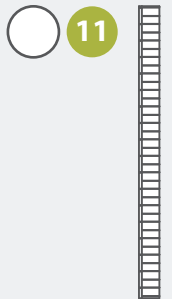
9

**Right Door Panel**  
208mm x 1984mm QTY 1  
*AI-11CASDDPPFR-V1*



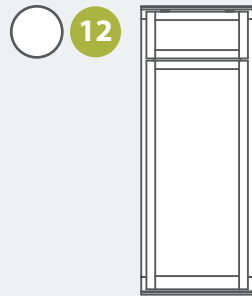
10

**Left Window Panel**  
139mm x 1984mm QTY 2  
*AI-11CASFWPFL-V1*



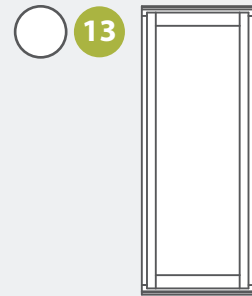
11

**Right Window Panel**  
139mm x 1984mm QTY 2  
*AI-11CASFWPFR-V1*



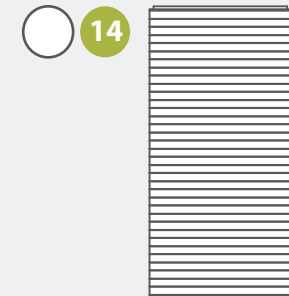
12

**Opening Window Frame**  
760mm x 1960mm QTY 1  
*PI-19-0007-V1*



13

**Fixed Window Frame**  
760mm x 1960mm QTY 1  
*PI-19-0005-V1*



14

**Plain Panel**  
998mm x 2005mm QTY 6  
*AI-11CASPP-V1*



15

**Corner Post 84x85x1992mm QTY 4**  
*AI-11IGRCP-V4*

(EV)



16

**\*Panel Toppers 27x44x4200mm QTY 1**  
*F2744-4200mm*

(EV)



17

**Panel Frame 44x58x1992mm QTY 5**  
*F4458-1992mm*

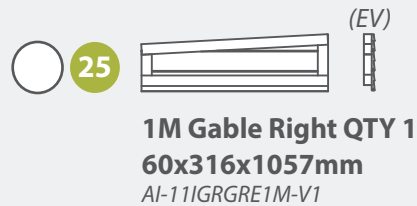
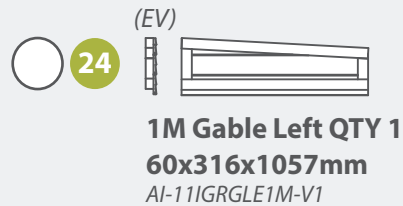
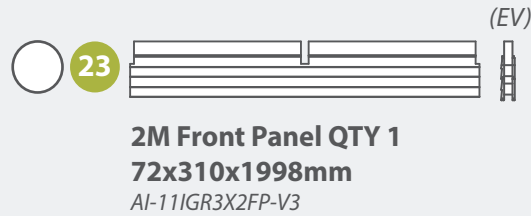
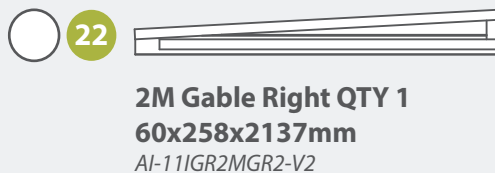
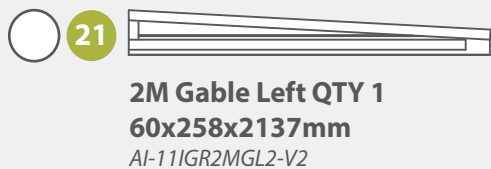
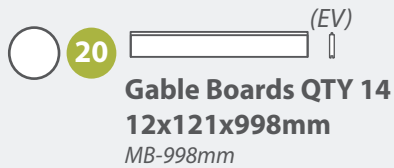
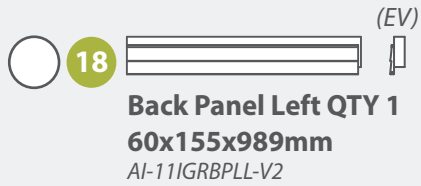
(EV)



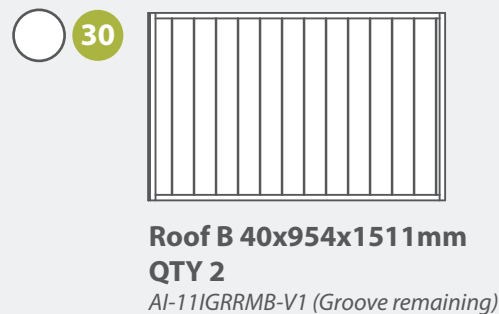
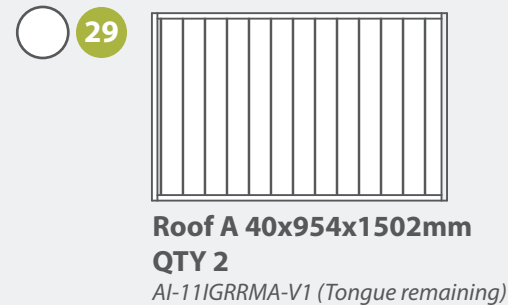
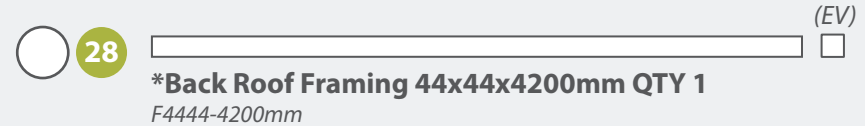
*\*This part will be longer than needed and requires cutting to size when used. This will be explained when required within the instruction step.  
Note: one piece may be required to be cut into multiple different sizes. Do not dispose of off-cuts until the building is fully constructed as they may be needed in another step.*

# CONTENTS

## Gable Contents:



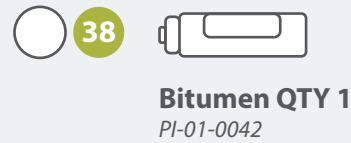
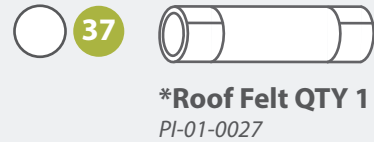
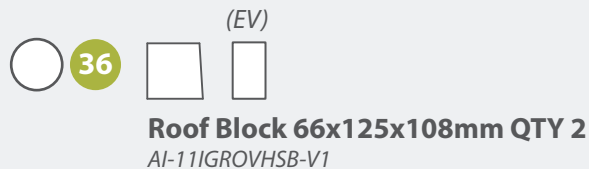
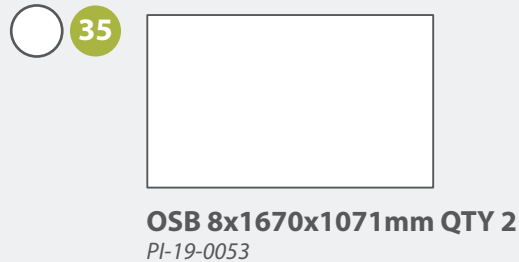
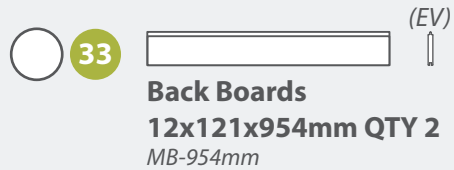
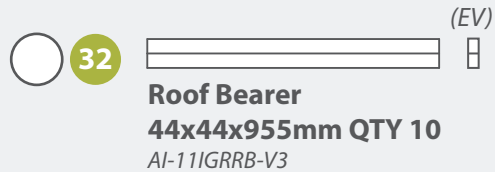
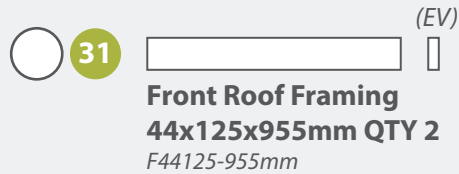
## Roof Contents:



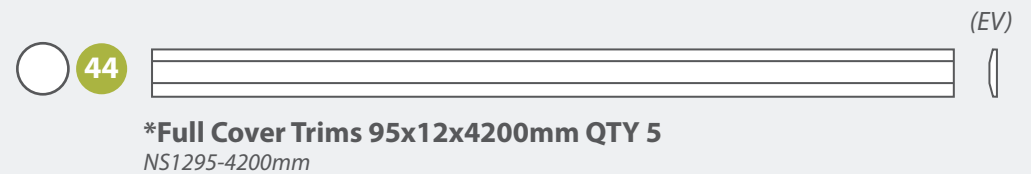
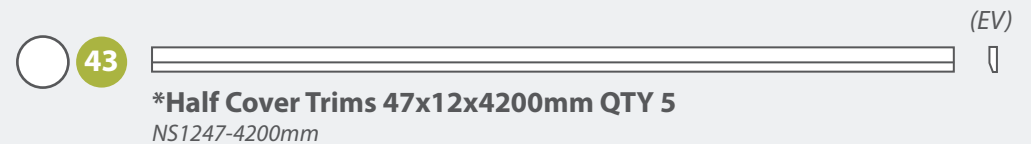
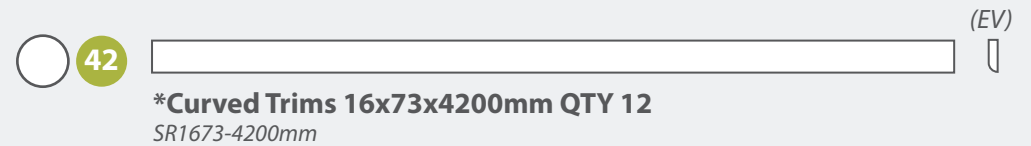
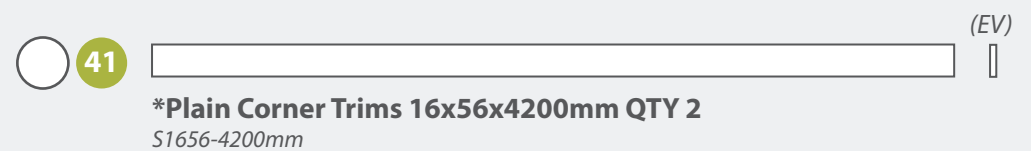
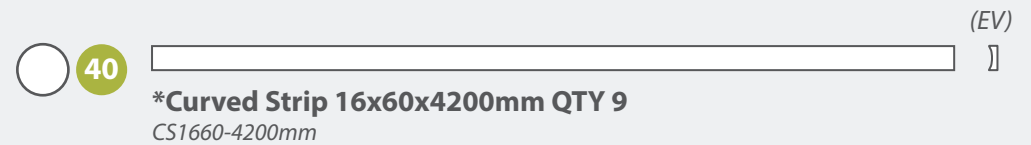
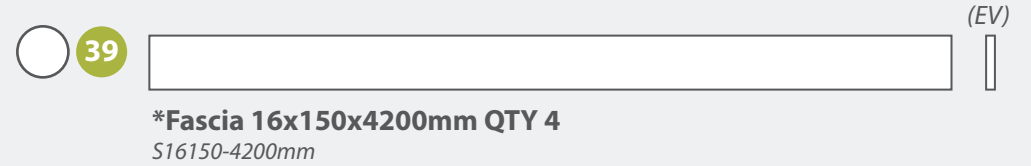
*\*This part will be longer than needed and requires cutting to size when used. This will be explained when required within the instruction step.  
Note: one piece may be required to be cut into multiple different sizes. Do not dispose of off-cuts until the building is fully constructed as they may be needed in another step.*

# CONTENTS

## Roof Contents:

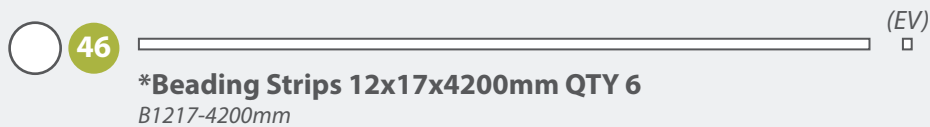
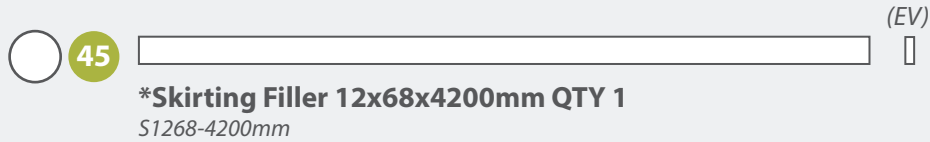


## Trims and Finishing Touches:



*\*This part will be longer than needed and requires cutting to size when used. This will be explained when required within the instruction step.  
Note: one piece may be required to be cut into multiple different sizes. Do not dispose of off-cuts until the building is fully constructed as they may be needed in another step.*

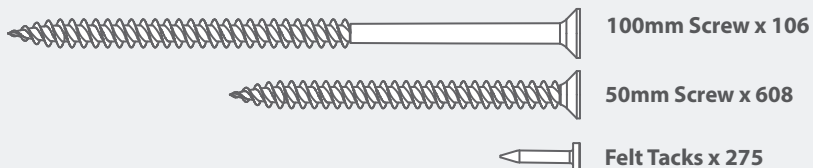
## Trims and Finishing Touches



*\*This part will be longer than needed and requires cutting to size when used. This will be explained when required within the instruction step.  
Note: one piece may be required to be cut into multiple different sizes. Do not dispose of off-cuts until the building is fully constructed as they may be needed in another step.*

## Screw Pack

There may be extra screws present in the screw pack



## PRE-ASSEMBLY CHECKLIST...

- Find a suitable location to build (see page 4 and 5 for further information)
- Build a base - ensure it is flat, level and has 60cm clearance on all sides. (see page 4 for further information)
- Check you have all the required tools and equipment. (see page 9 for further information)
- Check you have all the product items listed (see pages 10-14 for building contents.)

**Tip:** Labelling your parts, using a pencil or masking tape, may help you to identify them easier when you need them.

*If you have missing or damaged parts please contact the customer services department.*



- Register for your anti rot guarantee (scan the QR below)



# FLOOR INSTALLATION

ANY QUESTIONS? CONTACT US ON 01636 821215

## Step 1 Floor Perimeter Construction.

Parts Needed - No.1 QTY 2  
No.2 QTY 2  
No.3 QTY 2

PLEASE SCAN HERE:



Ensure the base is flat, level, and clear from any debris. Place the Floor bearers (No.1, No.2 & No.3) on the base as shown, creating the perimeter of the floor. Double up the bearers (No.2) at the front and back of the floor.

Fix the bearers together using 2x100mm screws per corner, ensuring the perimeter is square by measuring from corner to corner. Unscrew and adjust to ensure the corner-to-corner measurements are the same.

Fix the doubled-up bearers to the adjacent bearer using 5x100mm screws each side. Position the screws at roughly 600mm intervals along the length, starting 100mm in from the edge.

18x100mm Screws

Important: Pre-drill before fixing screws.



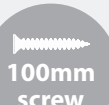
Spirit level.



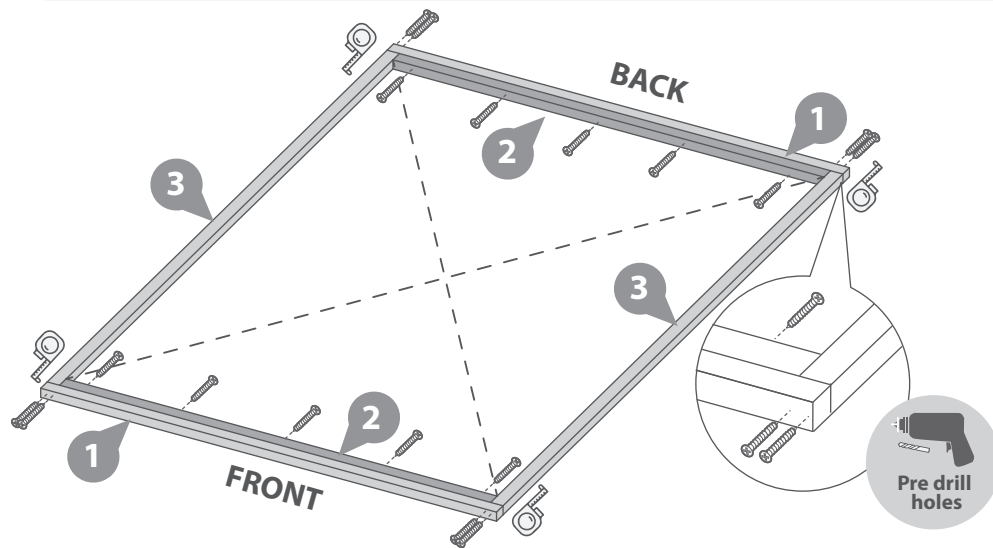
Tape Measure.



Drill / Pre drill.



100mm screw



## Step 2 Floor Bearer Construction.

Parts Needed - No.2 QTY 7

Place the bearers (No.2) within the floor, evenly spacing them with no more than 300mm between each. Mark the exact spacing at either end of the perimeter to ensure the bearers are squarely secured.

Fix through the side bearers into the placed bearers using 2x100mm screws per end.

28x100mm Screws

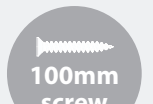
Important: Pre-drill before fixing screws.



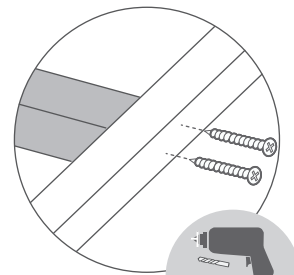
Tape Measure.



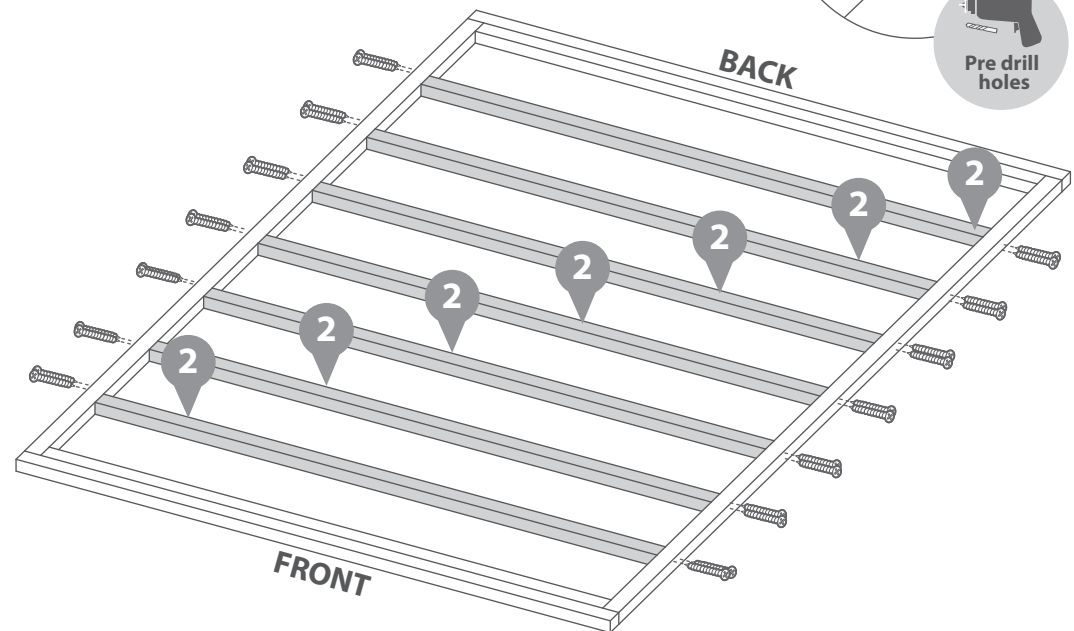
Drill / Pre drill.



100mm screw



Pre drill holes





## Step 3 Front and right Floor Cill.

Parts Needed - No.4 QTY 2

PLEASE SCAN HERE:

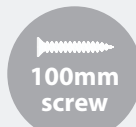
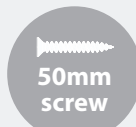


- Starting at the left corner, place the Floor Cill (No.4) on top of the bearer ensuring it is positioned correctly as shown in the illustration. Remove the Floor Cill from the bearer and cut a 45° angle into the end, being sure to measure from the point within the illustration. Place the Floor Cill back on to the bearer, ensuring that the internal groove aligns with the edge of the bearer.
- On the opposite end of the cill, mark where the inside corner of the floor bearer meets the cill, as shown within the illustration. Following the same process as before cut the the mirrored 45° angle into the cill. Place the cill back into position on the front bearers, ensuring the corners are aligned correctly.
- Place a second Floor Cill (No.4) on the right hand side of the bearers. Cut a 45° angle, ensuring the corner sits flush to the previously cut Floor Cill and make sure to measure from the point within the illustration. Place the Floor Cill back onto the bearer, ensuring that the corner sits flush.
- On the opposite end of the Floor Cill, mark where the corner of the floor bearers meets the cill, as shown within the illustration. Following the same process as before, cut the mirrored 45° angle into the Cill. Place the cill back into position on the right bearer, ensuring the corners align correctly.
- Using 4x50mm screws, fix the Floor Cills in place at each end. Ensure to screw through the Floor Cill into the bearer below. Secure the two cills together by screwing through where they meet at the corner using 2x100mm screws.

4x50mm Screws

2x100mm Screws

**Important:** Pre-drill before fixing screws.



Saw.



Work bench.



Tape Measure.



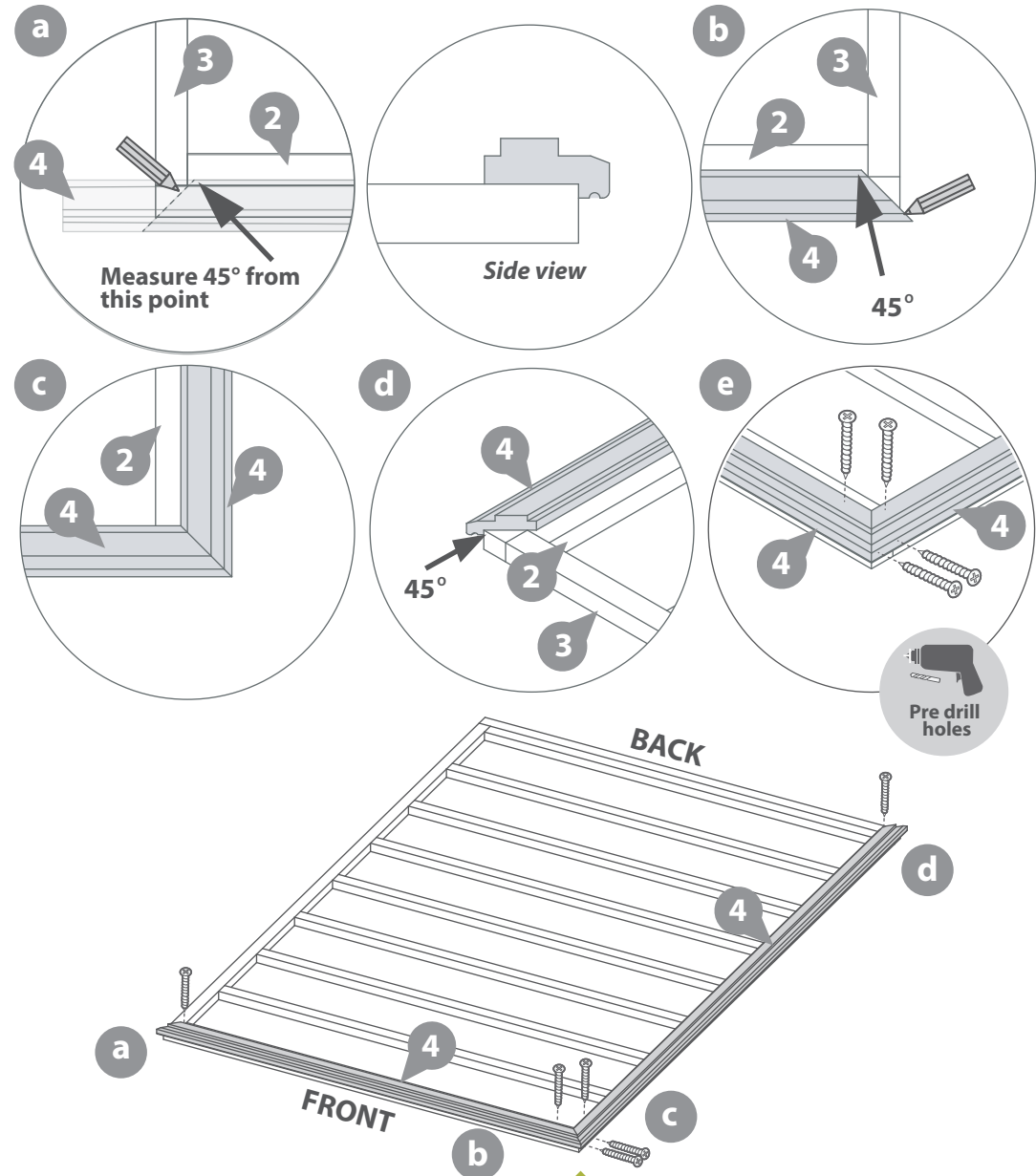
Clamps.



Drill / Pre drill.



Cutting block.



**Note:** If a gap appears to the outside corner of the Cill (external corner) then the angle requires reducing. If the gap appears on the inside corner (internal corner) of the Cill, then the angle requires increasing.

## Step 4 *Left and back Floor Cill.*

Parts Needed - No.4 QTY 2

PLEASE SCAN HERE:



- Place a Third Floor Cill (**No.4**) on top of the back bearer, ensuring it is positioned correctly as shown in the illustration. Remove the Floor Cill from the bearer and cut a 45° angle into one end, being sure to measure from the point within the illustration and mirror the existing cills angle. Place the Floor Cill back on to the bearer, ensuring that the corners align
- On the opposite end of the cill, mark where the inside corner of the floor bearer meets the cill, as shown within the illustration. Following the same process as before cut the the mirrored 45° angle into the cill. Place the cill back into position on the back bearer, ensuring the corners are aligned correctly.
- Place a Forth Floor Cill (**No.4**) on the left hand side of the bearers. Cut a 45° angle, ensuring the corner sits flush to the previously cut Floor Cill and to measure from the point within the illustration. Place the Floor Cill back onto the bearer, ensuring that the corner sits flush.
- On the opposite end of the Floor Cill, mark where the corner of the floor bearers meets the cill, as shown within the illustration. Following the same process as before, cut the mirrored 45° angle into the cill. Place the cill back into position on the left bearer, ensuring the corners are aligned correctly.
- Using 4x50mm screws, fix the Floor Cills in place at each end. Ensure to screw through the Floor Cill into the bearer below. Secure the cills together by screwing through where they meet at the corners using 2x100mm screws per corner.

4x50mm Screws  
6x100mm Screws

**Important:** Pre-drill before fixing screws.



Saw.



Work bench.



Tape Measure.



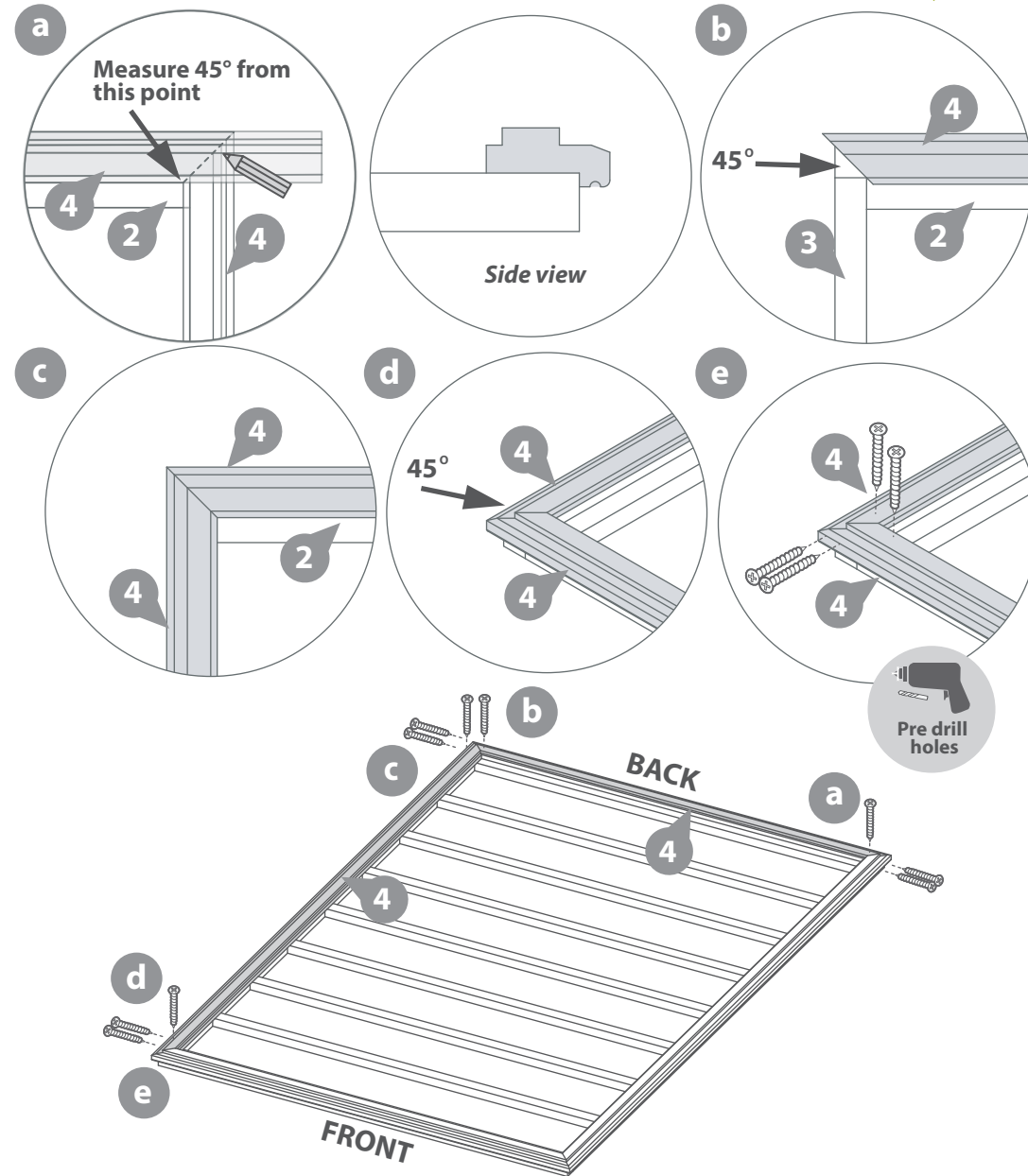
Clamps.



Drill / Pre drill.



Cutting block.



**Note:** If a gap appears to the outside corner of the Cill (external corner) then the angle requires reducing. If the gap appears on the inside corner (internal corner) of the Cill, then the angle requires increasing.

## Step 5 Securing the Floor Cills.

Secure the Floor Cills down into the floor bearers using 50mm screws, at roughly 600mm intervals.

**18x50mm Screws**

**Important:** Pre-drill before fixing screws.



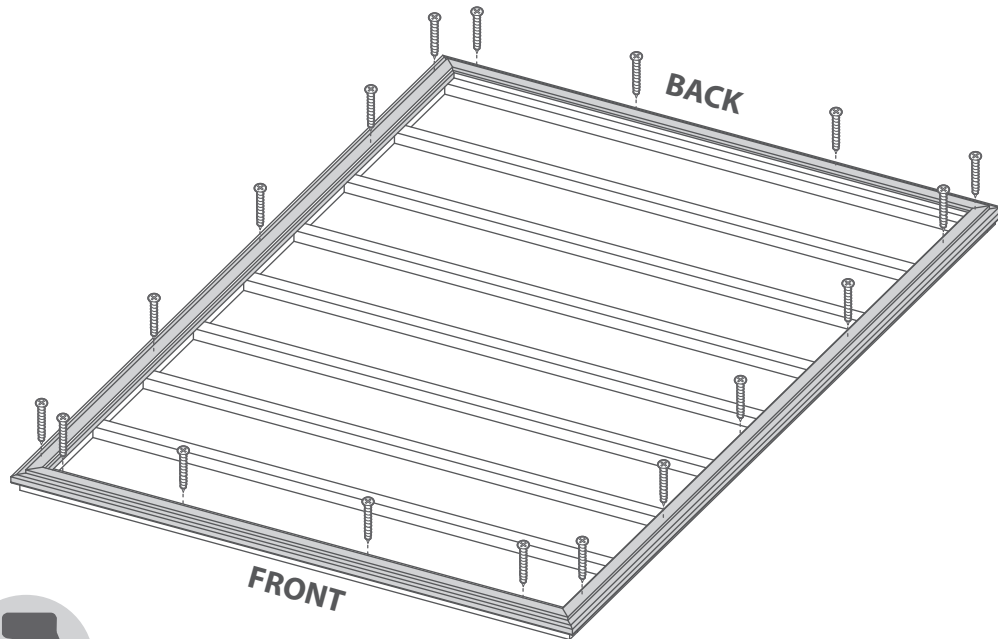
Tape Measure.



Drill / Pre drill.



50mm screw



## Step 6 Cutting Floor insulation.

**Parts Needed - No.6 QTY 1**

Starting on one side of the building, take the Floor Insulation (**No.6**) and unroll over the bearers from the front to the back, as shown

Holding the insulation flush to the inside edge of the side cill, cut **one** sheet of insulation. Ensure you leave an overhang of 100mm over the front and back of the bearers.

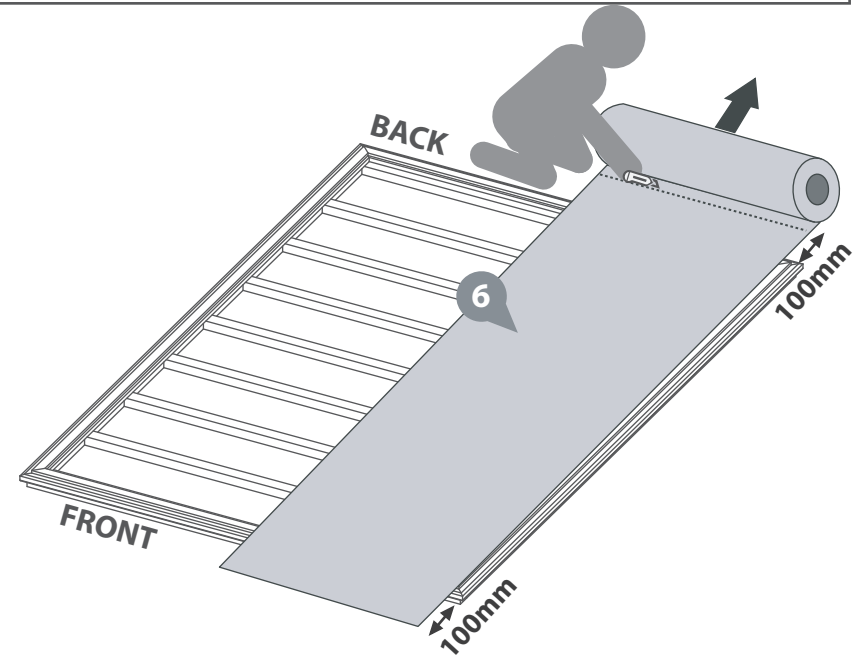
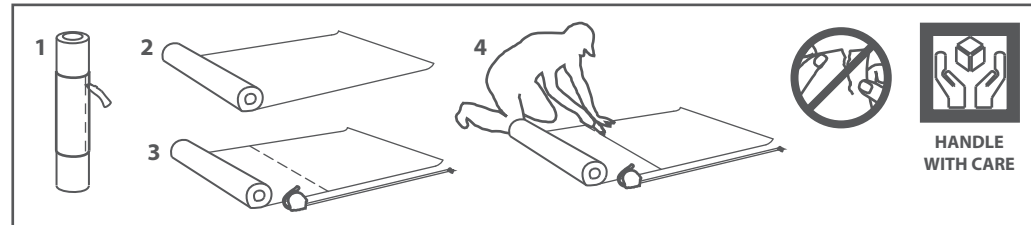
*Please note that the insulation must sit tight upon the bearers without sagging.*



Cutting tool.



Tape Measure.



## Step 7 *First Floorboard.*

**Parts Needed - No.5 QTY 1**  
**No.6 QTY 1**

Ensure the sheet of insulation is sat flush up against the inside face of the Floor Cill, with the excess length equally spaced over the front and back of the building.

Place a Floorboard (**No.5**) on top of the insulation, ensuring the grooved side is positioned flush up against the inside face of the floor cill.

**NOTE:** When selecting boards, check both faces of the board and place the desired face upwards. Timber has natural imperfections which you may or may not wish to show.

Position the board evenly between the front and back Floor Cills, making sure that the insulation sits tightly under the board and does not sag. There may be a small gap between the front and back Floor Cills to accommodate the floor insulation.

Fix the Floor Board in place using 5x50mm screws, one at either end and then into every other floor bearer. Ensure the screws go through the Floor Board into the bearers below.

**5x50mm Screws**

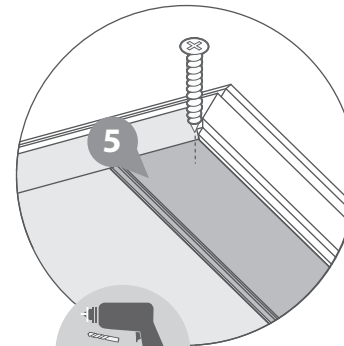
**Important:** Pre-drill before fixing screws.



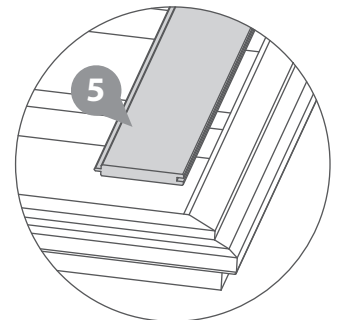
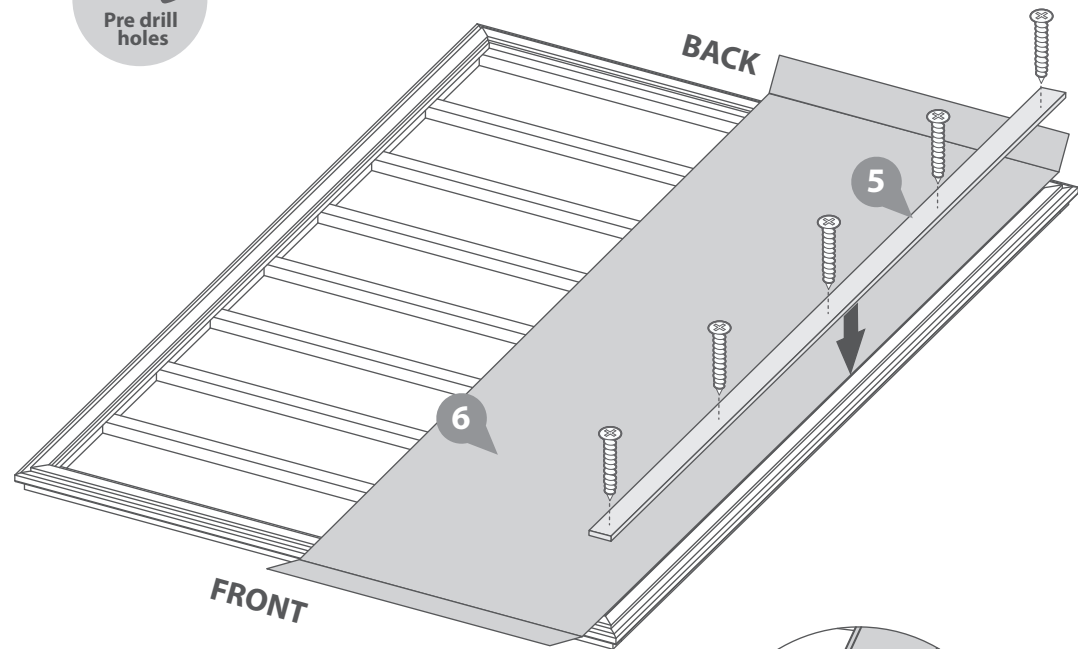
Drill / Pre drill.



50mm screw



Pre drill holes



## Step 8 Laying Floorboards.

Parts Needed - No.5 QTY 16  
No.6 QTY 1

PLEASE SCAN HERE:



- a** Add Floorboards (No.5) onto the insulation (No.6) ensuring the boards slot into one another, pushing the tongue and groove together along the length before placing the next.

**NOTE:** Whilst adding the boards, stop after every 3 or 4 boards and measure the remaining distance. Make sure to do this in three different places from the edge of the board to the edge of the opposite cill. This ensures the floor remains square. Adjust the Floorboard positions if the gap measurements start to differ.

Once square, fix the boards in place using 5x50mm screws per board, going into every other floor bearer.

Continue to add, check and secure boards until you approach the edge of the insulation sheet.

- b** As you reach the end of the insulation sheet, cut another (as shown in Step 6) and lay it onto the bearers.

**Do not overlap the insulation.** Ensure each piece of insulation is butt up to the sheet. This last sheet of insulation may overhang the cill at the end.

- c** Repeat the above process, laying floor boards, until a full Floor board no longer fits.

**80x50mm Screws**

**Important:** Pre-drill before fixing screws.



Tape Measure.



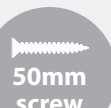
Rubber Mallet.



Cutting tool.

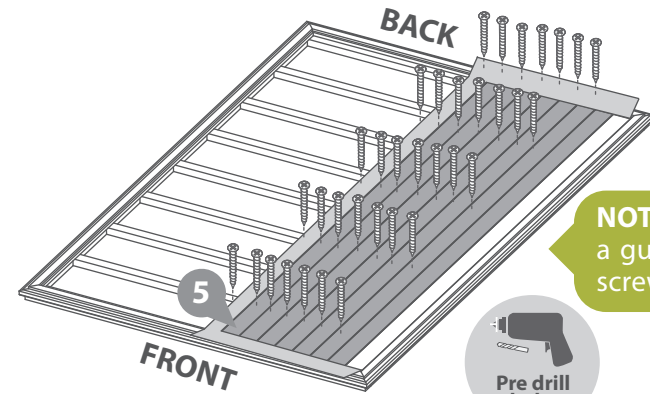


Drill / Pre drill.



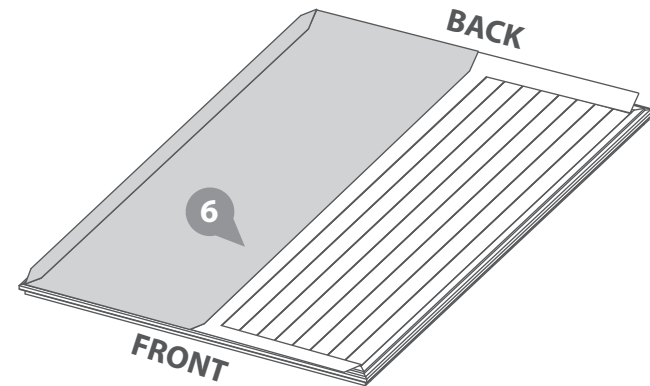
50mm screw

**a**

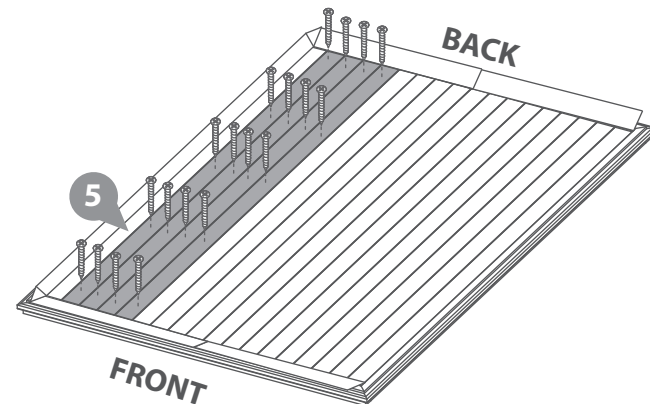


**NOTE:** Use a board as a guide to keep your screw lines straight.

**b**



**c**



## Step 9 Last Floorboard.

### Parts Needed - No.5 QTY 1

Lay floorboards until the remaining gap is smaller than the width of a board. Measure the remaining gap (from the tongue of the floor board to the Floor cill) in several positions along the board length.

Cut one floorboard (**No.5**) down to the required size and fit onto the floor. Ensure the edge with the groove is the side that is being kept so it can slot onto the last floor board.

Secure using 50mm screws at either end of the board and into every other floor bearer.

### 5x50mm Screws

**Important:** Pre-drill before fixing screws.



Rubber Mallet.



Saw.



Work bench.



Tape Measure.



Clamps.



Drill / Pre drill.

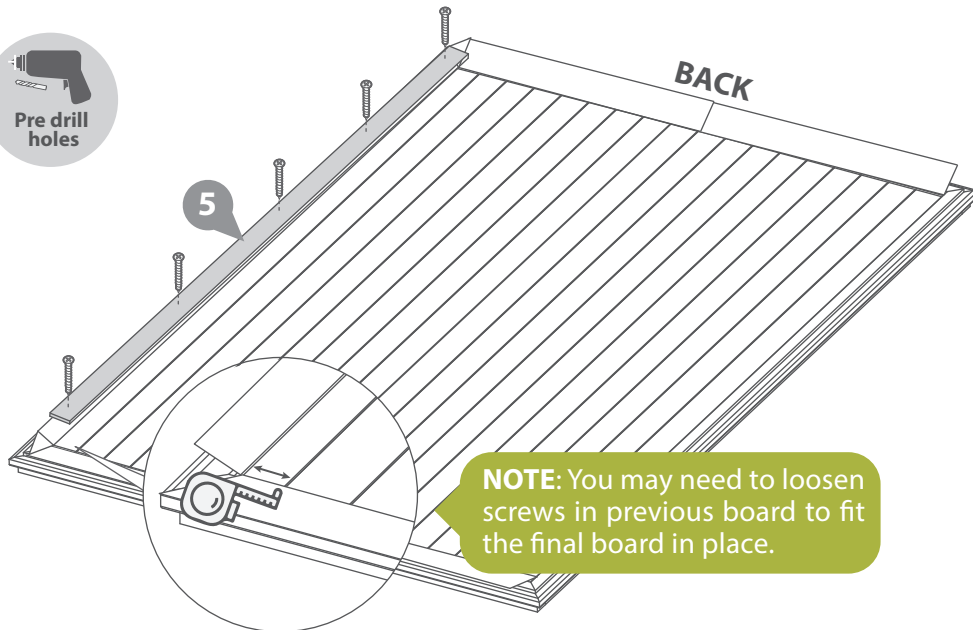


50mm screw



Pre drill holes

PLEASE SCAN HERE:



**NOTE:** You may need to loosen screws in previous board to fit the final board in place.

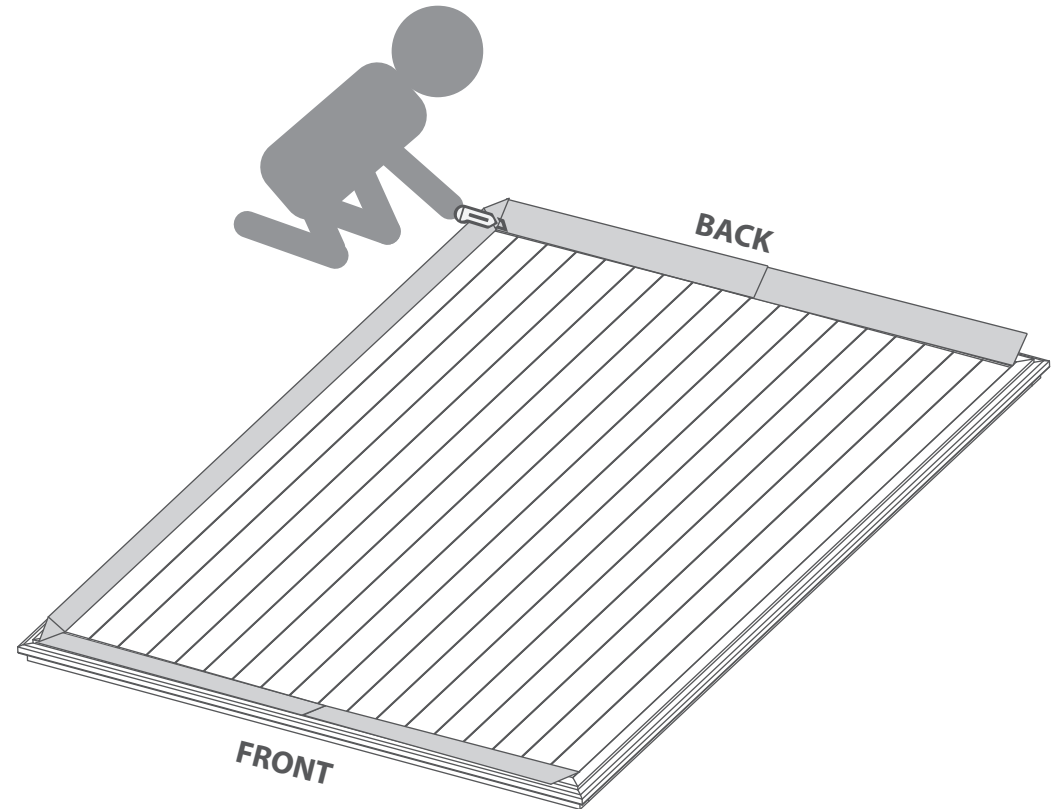
## Step 10 Excess Floor Insulation removal.

Working around the floor, cut off the excess insulation using a sharp blade or scissors.

Place a protective cover over the floor once completed to ensure the boards do not get footprints on. There may be some plastic wrapping left behind from the delivery of your product you could use this or a dust sheet.



Cutting tool.



## Step 11 *Back Left Corner Part 1.*

**Parts Needed - No.14 QTY 1  
No.15 QTY 1**

PLEASE SCAN HERE:



**NOTE:** Before beginning to assemble the walls, it is advised to move the relevant parts close to the final position for ease of assembly.

Place the first Plain Panel (**No.14**) on top of the Cill, ensuring the cladding slots over the Cill.

Ensuring that the Corner Post (**No.15**) is the correct way around, as shown in the illustration, slot it into the end of the Plain Panel. Using a mallet and a scrap piece of wood gently persuade the corner post into the panel ensuring to close the gap.

**NOTE:** There will be a gap between the panel cladding and corner post.

Once in place, secure the panel to the corner post using 4x50mm screws, fixing through the internal panel cladding into the corner post.

**4x50mm Screws**

**Important:** Pre-drill before fixing screws.



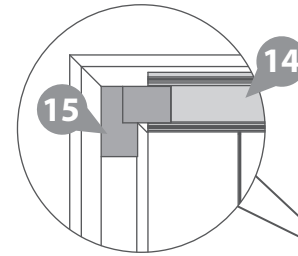
Rubber Mallet. Drill / Pre drill.



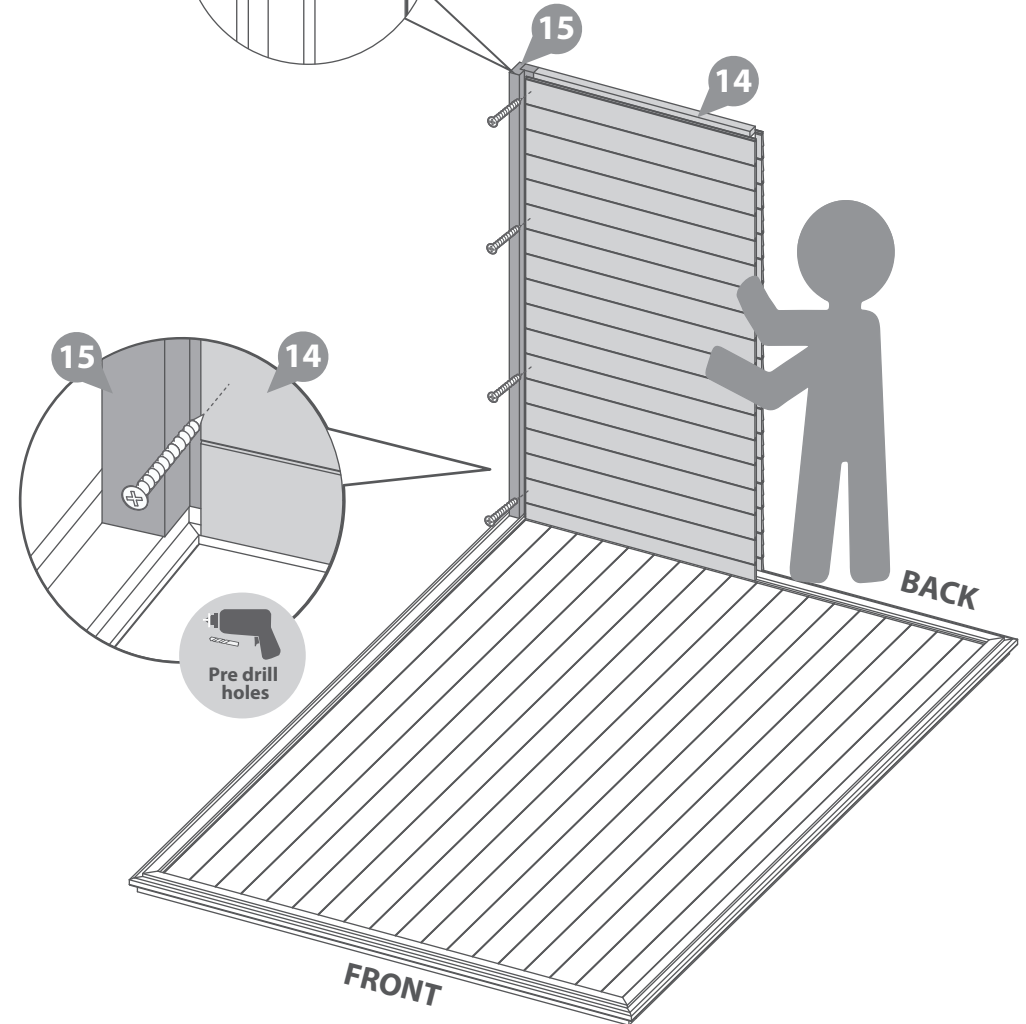
Unstable building, provide support.

**NOTE:** At this point in the construction of your building, the walls **will be unstable**. Take extra care to support them until they are secured.

*Aerial view.*



**NOTE:** Corner Framing **must** be flush with Floor Cill. This may move out of place during construction. Use a rubber mallet and scrap timber to knock back into place.



## Step 12 Back Left Corner Part 2.

Parts Needed - No.14 QTY 1  
No.17 QTY 1

Place the second Plain Panel (No.14) onto the cill to create the first corner. Use a mallet and a scrap piece of wood to gently persuade the panel into the corner post (No.15).

PLEASE SCAN HERE:



**NOTE:** When using the mallet, it is advised for someone to hold the external corner and apply force. This ensures the force from the mallet does not push the walls out and damage the cladding.

Once in place, secure the Plain Panel to the Corner Post using 4x40mm screws, fixing through the internal panel cladding into the corner post.

Position a Panel Frame (No.17) on top of the cill. Use a mallet and a scrap piece of wood to gently persuade the framing into the wall panel's cavity.

**NOTE:** There will be a gap between the panel and panel frame.

Once in place, secure the panel to the Panel Frame using 4x50mm screws, fixing through the internal panel cladding into the Panel Frame.

### 8x50mm Screws

**Important:** Pre-drill before fixing screws.



Unstable building, provide support.



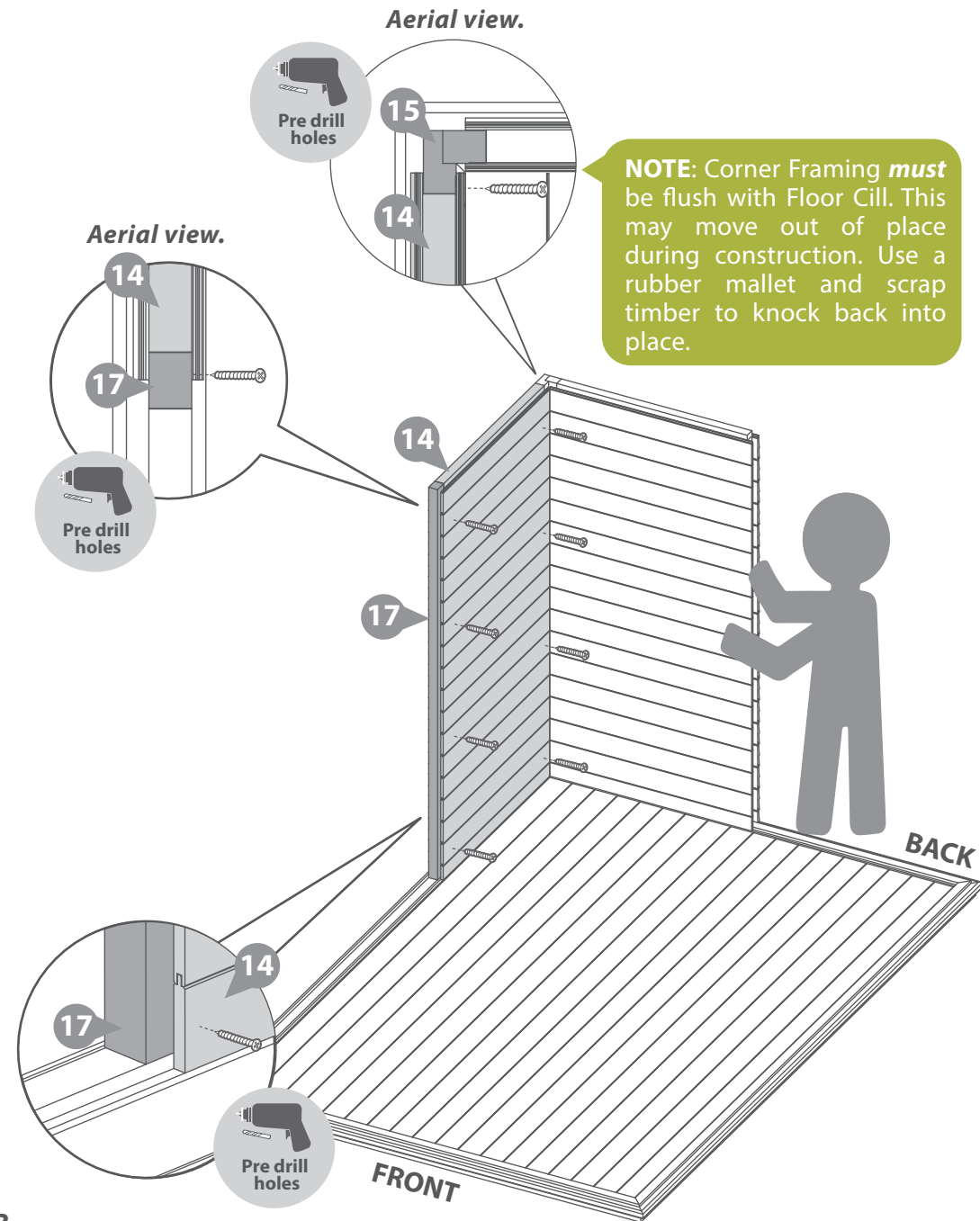
Rubber Mallet.



Drill / Pre drill.



50mm screw





## Step 13 Plain Panel installation.

Parts Needed - No.14 QTY 4 No.17 QTY 4  
No.15 QTY 1

PLEASE SCAN HERE:



- a** On the back wall, locate a Panel Frame (No.17) into the Plain Panel (No.14). Locate another Plain Panel (No.14) into the Panel Frame and secure using 8x40mm screws.

Use a mallet with a scrap piece of wood to assist joining the Panel Frames and Plain Panels together.

**NOTE:** When using the mallet, it is advised for someone to hold the external corner and apply force. This ensures the force from the mallet does not push the walls out and damage the cladding.

- b** At the back right corner, locate a Corner Post (No.15) into the Plain Panel. Make sure that the Corner Post (No.15) is the correct way around, as shown in the illustration.

Once in place, locate another Plain Panel (No.14) onto the corner, as shown in Step 11 and secure in place using 4x50mm screws.

- c** Locate a Panel Frame (No.17) into the Plain Panel (No.14). Locate another Plain Panel (No.14) into the Panel Frame and secure using 8x40mm screws.

Locate another Panel Frame (No.17) into the Plain Panel (No.14) and secure using 4x50mm screws.

- d** Repeat this process on the left side of the building to locate and secure the final Plain Panel (No.14) and Panel Frame (No.17), as shown in the illustration.

**NOTE:** There will be a gap between the panels.

**32x50mm Screws**

**Important:** Pre-drill before fixing screws.



50mm screw



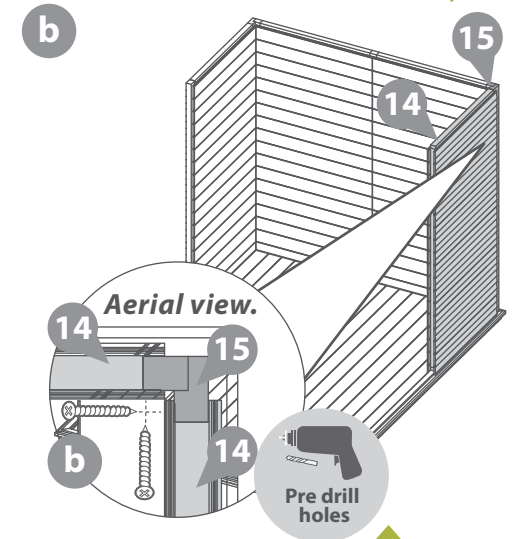
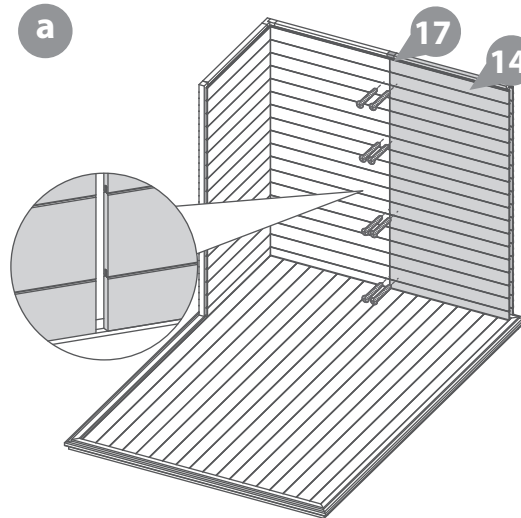
Unstable building, provide support.



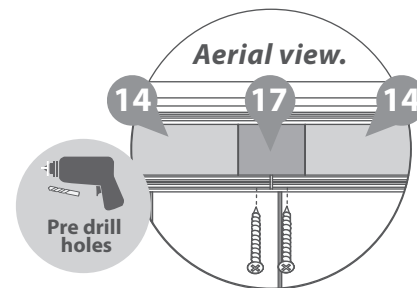
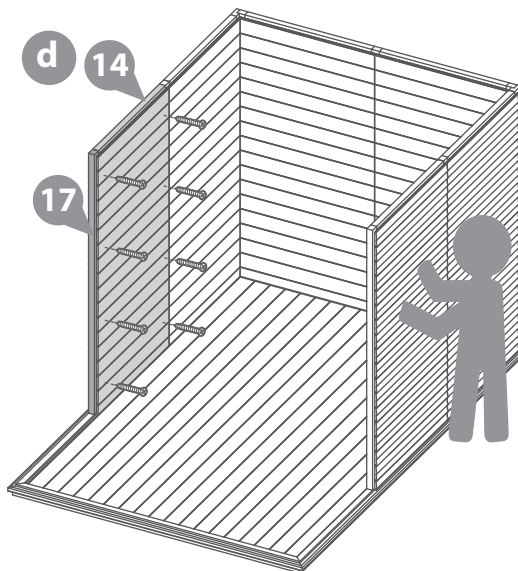
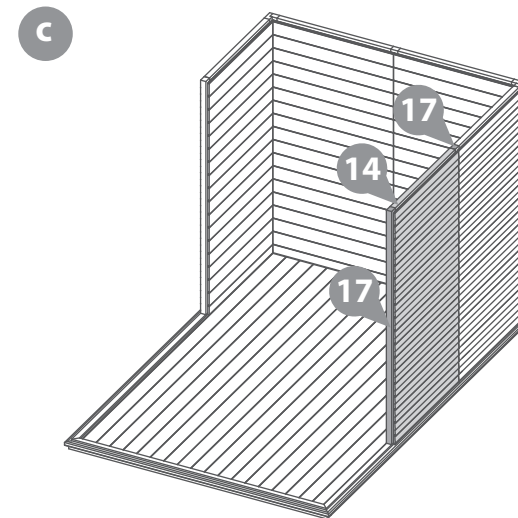
Rubber Mallet.



Drill / Pre drill.



**NOTE:** Corner Framing *must* be flush with Floor Cill. This may move out of place during construction. Use a rubber mallet and scrap timber to knock back into place.



## Step 14 *Opening Window Frame Installation.*

Parts Needed - No.10 QTY 1 No.12 QTY 1  
No.11 QTY 1 No.15 QTY 1

PLEASE SCAN HERE:



- a Slot the Left Window Panel (No.10) on top of the Floor Cill and up to the Panel Frame (No.17) as shown. Fix the Panel to the Panel Frame using 4x50mm screws.

**NOTE:** There will be a gap between the panels.

- b Place the Opening Window Frame (No.12) on top of the cill and up to the Left window panel. Ensure the Opening Window frame is flush to the inside edge of the Floor Cill.

To ensure the window frame and the 'wall' are square, check internally and externally that the opening window frame is flush to the top, middle and bottom of the adjacent panel.

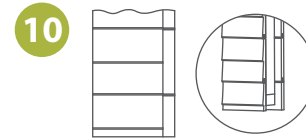
Once square, fix the window in place using 4x50mm screws. Ensure to screw through the left panel cladding, internally, and into the opening window framing.

- c Slot the Right Window Panel (No.11) onto the Floor Cill and up to the Opening Window Frame. Fix in place using 4x50mm screws through the internal cladding into the window framing.

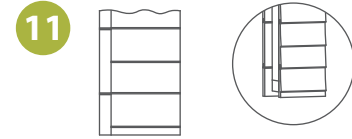
Locate a Corner Post (No.15) into the opening of the Right Window Panel, ensuring the coner post is positioned the correct way round, as shown. Fix in place using 4x50mm screws through the internal panel cladding.

### 16x50mm Screws

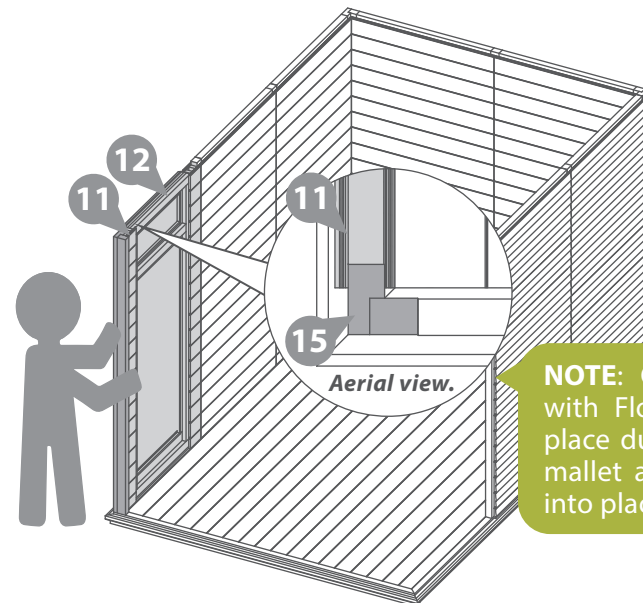
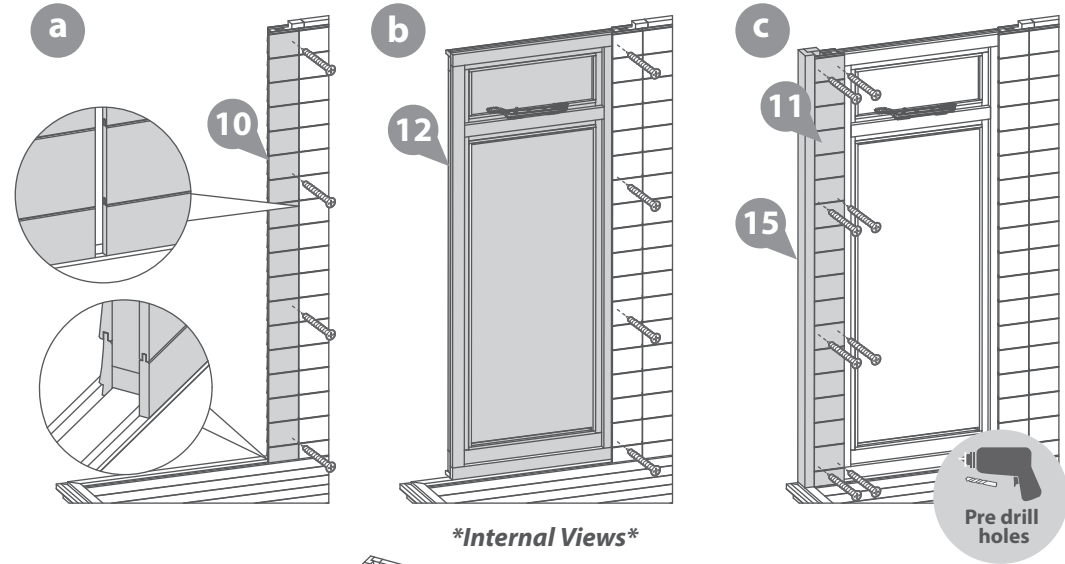
**Important:** Pre-drill before fixing screws.



**No.10 identification:**  
When looking at the cladding side of the panel, there will be a **cut out on the right.**



**No.11 identification:**  
When looking at the cladding side of the panel, there will be a **cut out on the left.**



**NOTE:** Corner Framing **must** be flush with Floor Cill. This may move out of place during construction. Use a rubber mallet and scrap timber to knock back into place.

## Step 15 Full Window Frame Installation.

Parts Needed - No.10 QTY 1 No.13 QTY 1  
No.11 QTY 1 No.15 QTY 1

PLEASE SCAN HERE:



- a** Slot the Right Window Panel (No.11) on top of the Floor Cill and up to the Panel Frame (No.17) as shown. Fix the Panel to the Panel Frame using 4x50mm screws.

**NOTE:** There will be a gap between the panels.

- b** Place the Fixed Window Frame (No.13) on top of the cill and up to the Right window panel. Ensure the Fixed Window frame is flush to the inside edge of the Floor Cill.

To ensure the window frame and the 'wall' are square, check internally and externally that the opening window frame is flush to the top, middle and bottom of the adjacent panel.

Once square, fix the window in place using 4x50mm screws. Ensure to screw through the right panel cladding, internally, and into the window framing.

- c** Slot the Left Window Panel (No.10) onto the Floor Cill and up to the Fixed Window Frame. Fix in place using 4x50mm screws through the internal cladding into the window framing.

Locate a Corner Post (No.15) into the opening of the Light Window Panel, ensuring the coner post is positioned the correct way round, as shown. Fix in place using 4x50mm screws through the internal panel cladding.

### 16x50mm Screws

**Important:** Pre-drill before fixing screws.



Unstable building, provide support.



Drill / Pre drill.

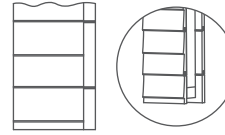


Rubber Mallet.



50mm screw

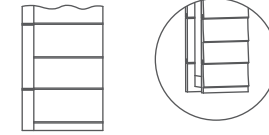
10



**No.10 identification:**

When looking at the cladding side of the panel, there will be a **cut out on the right**.

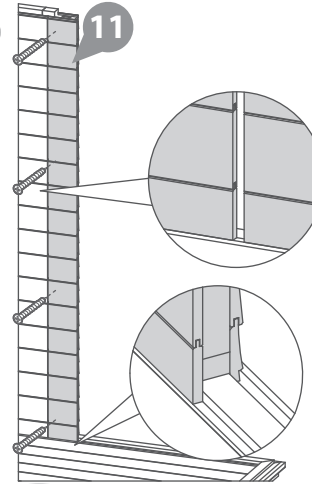
11



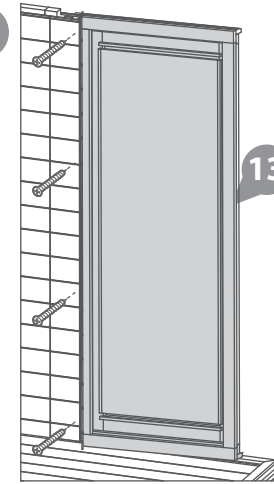
**No.11 identification:**

When looking at the cladding side of the panel, there will be a **cut out on the left**.

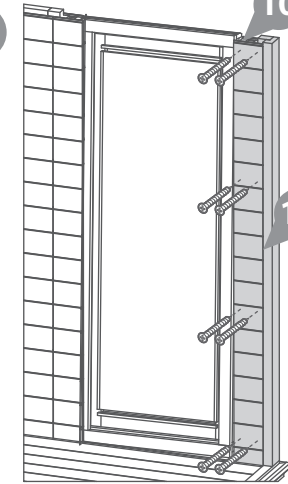
a



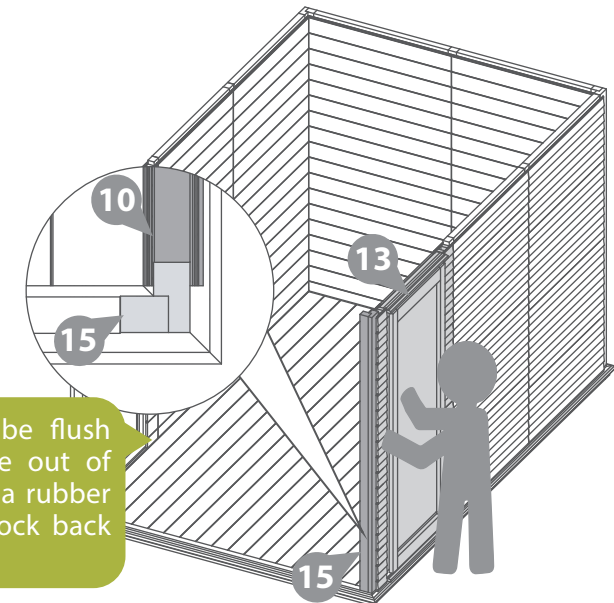
b



c



*\*Internal Views\**



**NOTE:** Corner Framing **must** be flush with Floor Cill. This may move out of place during construction. Use a rubber mallet and scrap timber to knock back into place.

## Step 16 Double Door Installation.

Parts Needed - No.7 QTY 1 No.9 QTY 1  
No.8 QTY 1

PLEASE SCAN HERE:



- Open the double doors within the Double door frame (No.8), you may need to use the key and bolt in the handle pack to do so. Once open, unscrew the hinges from the door framing, so the doors can be removed from the frame. Ensure to leave the hinges attached to the doors.
- Locate the Right Door Panel (No.9) onto the Floor Cill and up against the Panel Frame (No.17). Fix in place using 4x50mm screws.
- Locate the Left Door Panel (No.7) onto the Floor Cill and up against the Corner Post (No.15). Fix in place using 4x50mm screws.
- Locate the empty Double Door frame into the space, ensuring the inside edge sits flush with the inside edge of the Floor Cill. To ensure the building is square, check internally and externally that the frame is flush to the panel top, middle and bottom. If required, use a scrap piece of timber and rubber mallet to persuade into position.

Once square, fix in place using 8x50mm screws. Ensure to screw through the cladding of the panels into the door framing behind.

- Locate the doors back into the door frame. Ensuring there is equal spacing around each side, secure the hinges on the doors back onto the frames using the same screws you removed before. Use the existing holes in the framing as a guide.

**DO NOT shut the doors until the handles have been fitted, (step 17).**

**16x50mm Screws**

**Important:** Pre-drill before fixing screws.



Unstable building, provide support.



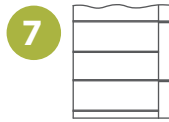
Drill / Pre drill.



Rubber Mallet.

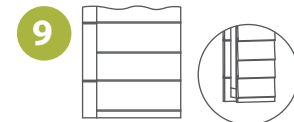


50mm screw



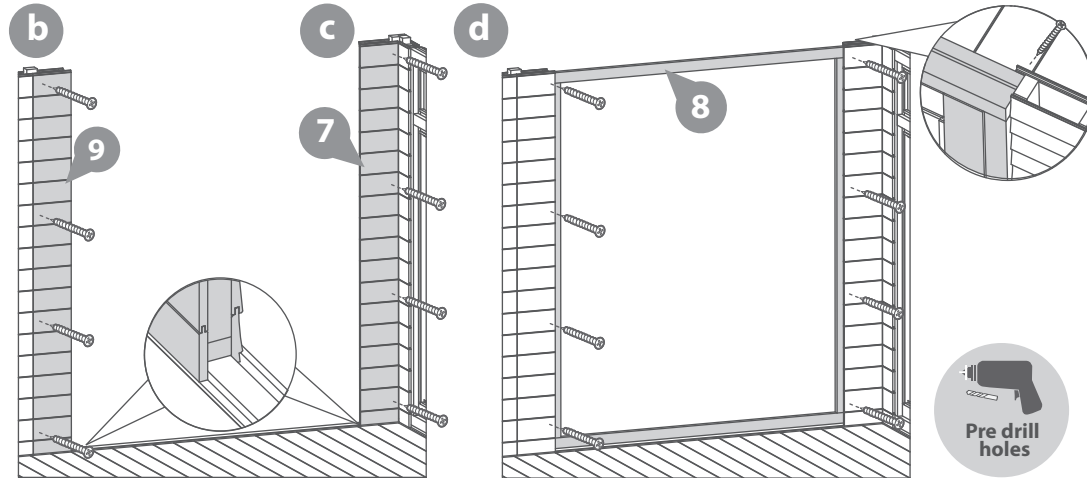
**No.7 identification:**

When looking at the cladding side of the panel, the cut out will be on the right.

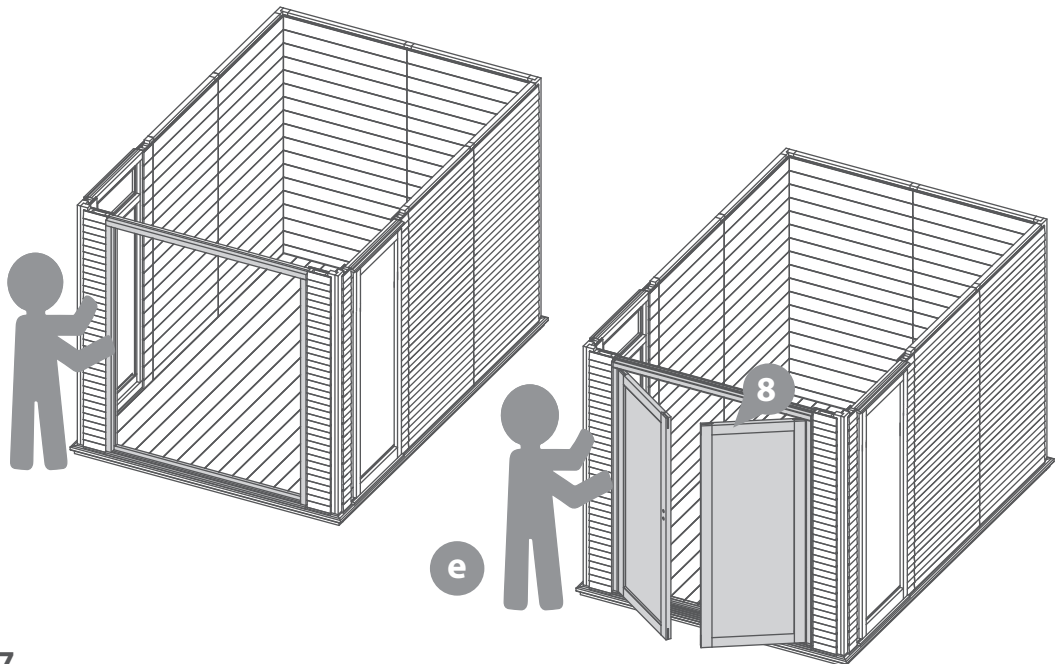


**No.9 identification:**

When looking at the cladding side of the panel, the cut out will be on the left.



*\*Internal Views\**



## Step 17 *Door Handle Installation.*

### Parts Needed - No.47 QTY 1

Locate the Door Handles (**No.47**) and the metal bar (spindle) onto the door, as shown.

Fix in place using the 8x30mm screws provided in the pack. Ensure the mortice lock closes correctly.

### 8x30mm Screws

**Important:** Pre-drill before fixing screws.

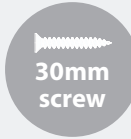
PLEASE SCAN HERE:



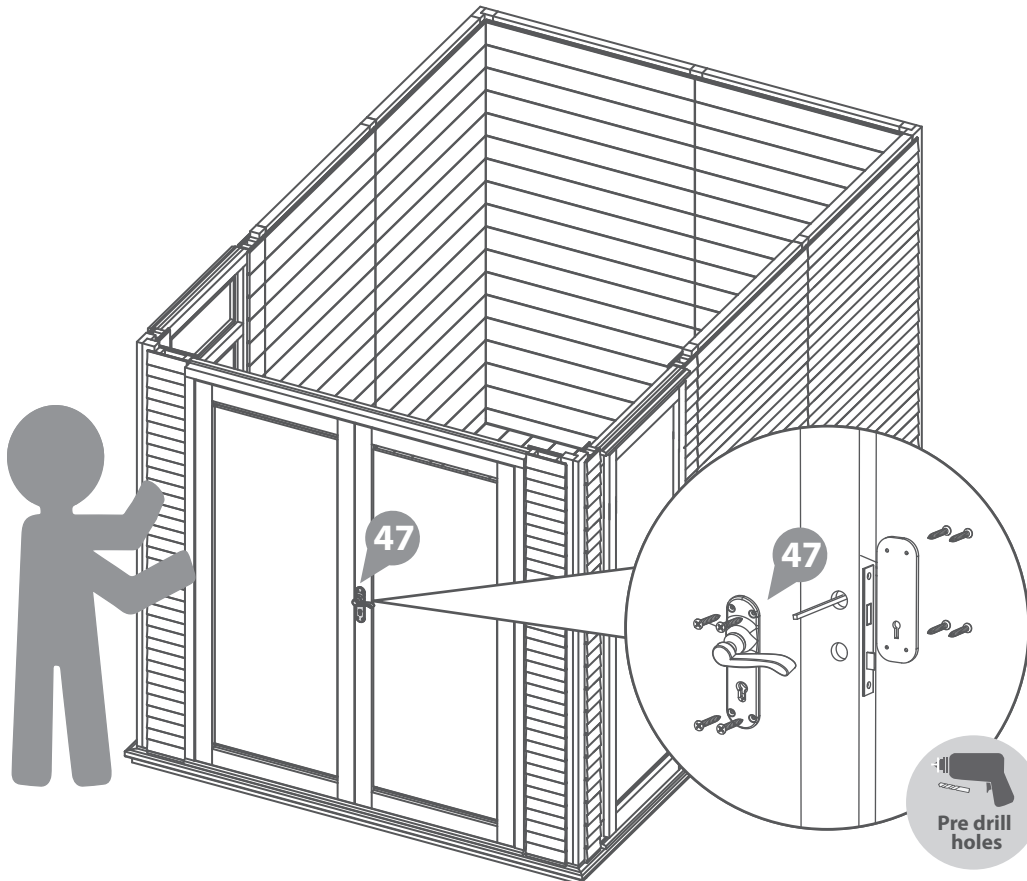
*Unstable building,  
provide support.*



*Drill / Pre drill.*



30mm  
screw



## Step 18 Panel Topper Installation.

Parts Needed - No.16 QTY 1

- a** On the front and sides of the building, measure the distance above the window and door panels - between the front corner posts and the panel frames, as shown. Cut the Panel Toppers (**No.16**) to the measured lengths.

PLEASE SCAN HERE:



- b** Locate the cut Panel Toppers into the relevant positions above the doors and window. Ensure the ends sit flush to the panel frame and corner posts and the top faces are flush.

Fix in place using 2x50mm screws above the window and 4x50mm screws above the doors. Ensure to screw down through the Panel Toppers into the framing below.

If the Panel Toppers are sitting higher than the Panel Frames or Corner Posts, they will need to be trimmed or sanded down to ensure the top of the wall is flush all the way along.

### 8x50mm Screws

**Important:** Pre-drill before fixing screws.



Unstable building, provide support.



Saw.



Work bench.



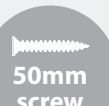
Tape Measure.



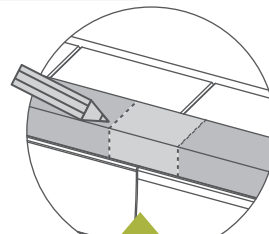
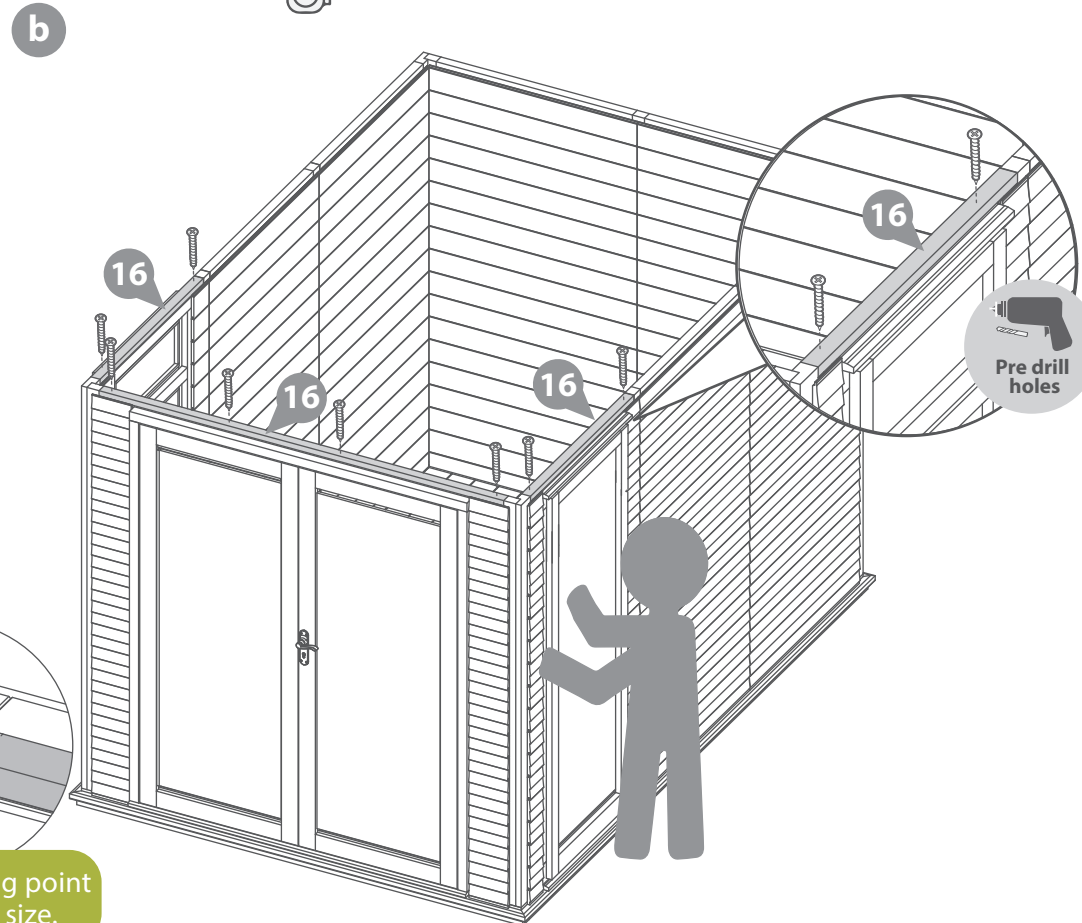
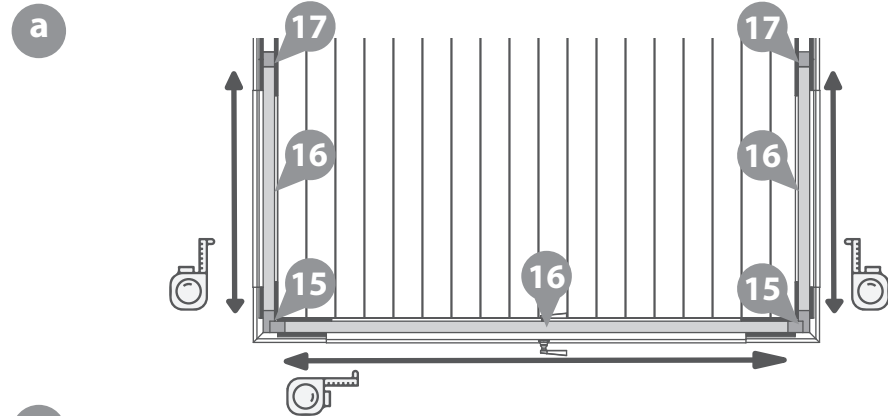
Clamps.



Drill / Pre drill.



50mm screw



**NOTE:** Mark the cutting point and saw the topper to size.

## Step 19 2m Front Panel Installation.

### Parts Needed - No.23 QTY 1

Position the 2M Front Panel (No.23) on top of the Door Panel, check that the tongue and groove fit together internally and externally. If the panel is sitting higher check that the panel is sat flush with the framing and posts below.

**Note:** Shave down the 'panel frame' or 'panel toppers' if the tongue and groove are not meeting.

Fix into position using 7x50mm screws, going through the internal cladding of the panel topper into the framing fixed to the panel below.

Position the screws so that they can be covered by trims.

### 7x50mm Screws

**Important:** Pre-drill before fixing screws.



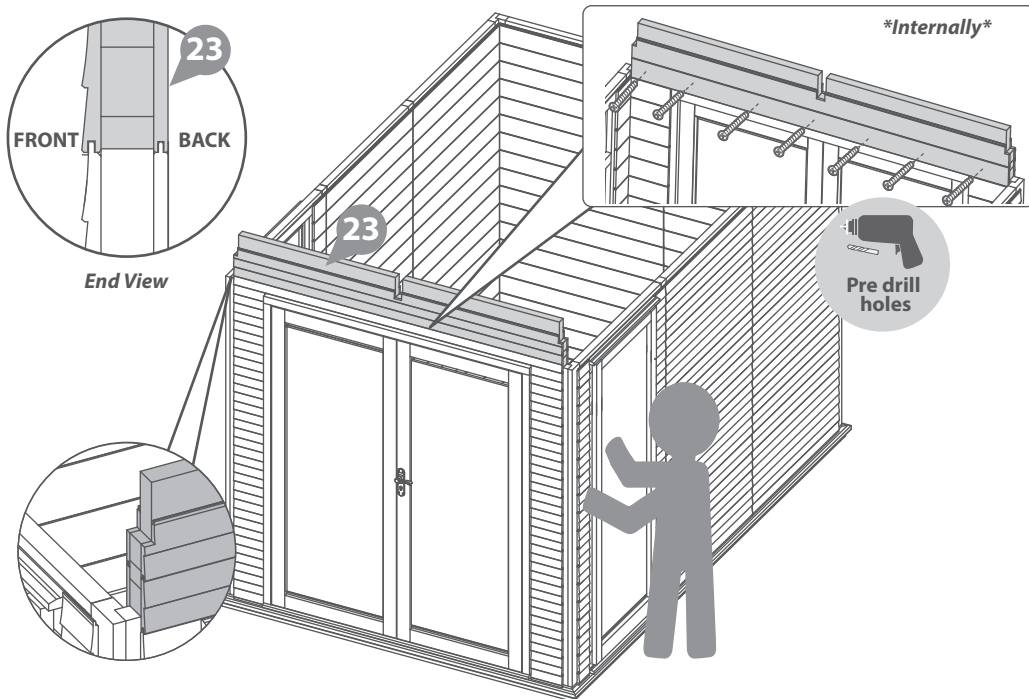
Unstable building, provide support.



Drill / Pre drill.



50mm screw



## Step 20 1m Gable Installation.

### Parts Needed - No.24 QTY 1

### No.25 QTY 1

Position the 1M Gable Left (No.24) and the 1M Gable Right (No.25) to the front of the building, ensuring the panel sits on top of the front corner post and is flush with the front of the building. The gable should sit on top of the panels below, not just the panel frame posts. Ensure the tongue from the panels below meets into the groove of the gable externally.

**Note:** The 1M Gables will not touch the panel toppers at the front - there will be a gap, as shown in the 'Front view' images.

Fix in place by screwing down through the gable framing into the panels below using 4x100mm screws per gable.

It is advised that one person holds the panel internally and one externally until fixed in place.

### 8x100mm Screws

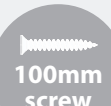
**Important:** Pre-drill before fixing screws.



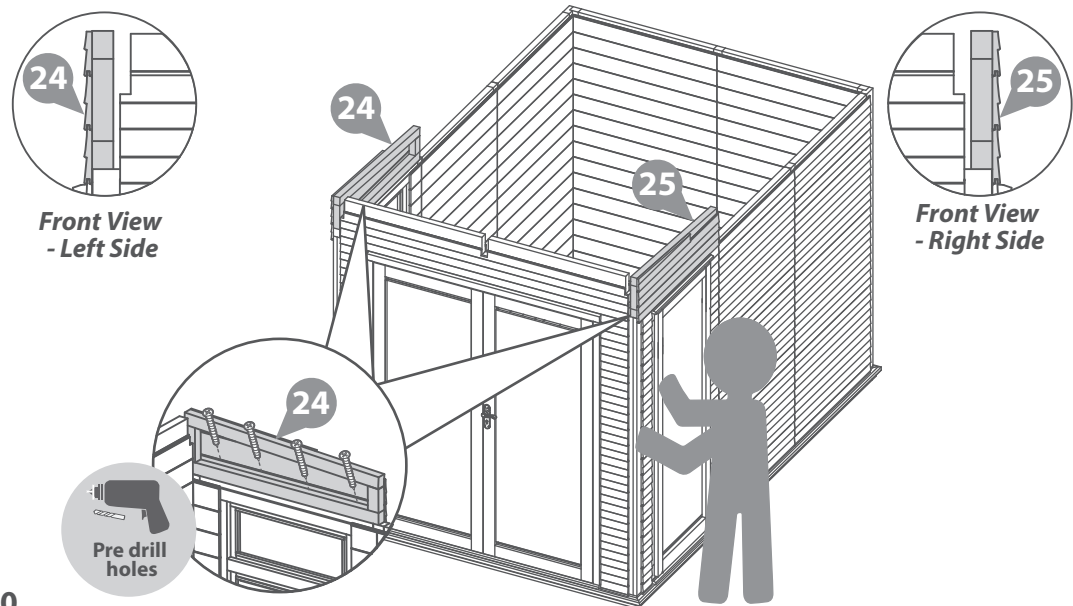
Unstable building, provide support.



Drill / Pre drill.



100mm screw



## Step 21 *2m Gable Installation.*

**Parts Needed - No.21 QTY 1**  
**No.22 QTY 1**

Position the 2M Gable Left (**No.21**) and the 2M Gable Right (**No.22**) flush up to the 1M gables, ensuring the gables sit on top of the panels not the posts. The end of the Gables will overhang the panels at the back of the building.

Fix the gable in place using 4x100mm screws per gable, ensuring to go through the gable framing and into the panel framing below.

### 8x100mm Screws

**Important:** *Pre-drill before fixing screws.*



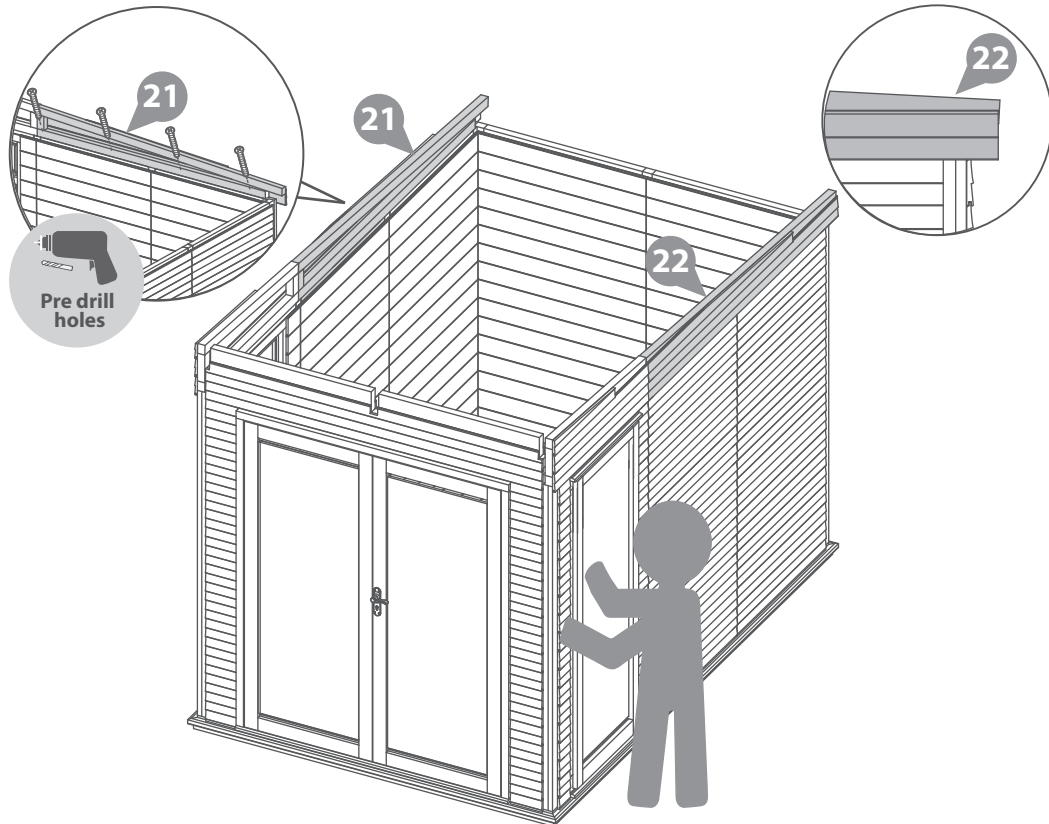
*Unstable building,  
provide support.*



*Drill / Pre drill.*



100mm  
screw





# GABLE INSTALLATION

ANY QUESTIONS? CONTACT US ON 01636 821215

## Step 22 *Internal Gable Board Installation.*

Parts Needed - No.20 QTY 14

- a** Take the Gable Boards (No.20) and build the gables internal cladding up by slotting the tongue into the groove and adding until the gable is covered.  
Fix each board in place using 2x50mm screws per board, the boards from the panel below can be used as a guide.
- b** Once the gable is covered, use a pencil to draw a line along the match-board from the outside of the building to mark the angled-cut line.
- c** Once the line is marked, unscrew the top boards that have been marked. Using a saw, cut along the line to create the angled part.

Once cut, return the cut boards to the gable and screw back in place.

### 28x50mm Screws

**Important:** Pre-drill before fixing screws.

PLEASE SCAN HERE:



Unstable building, provide support.



Saw.



Work bench.



Tape Measure.



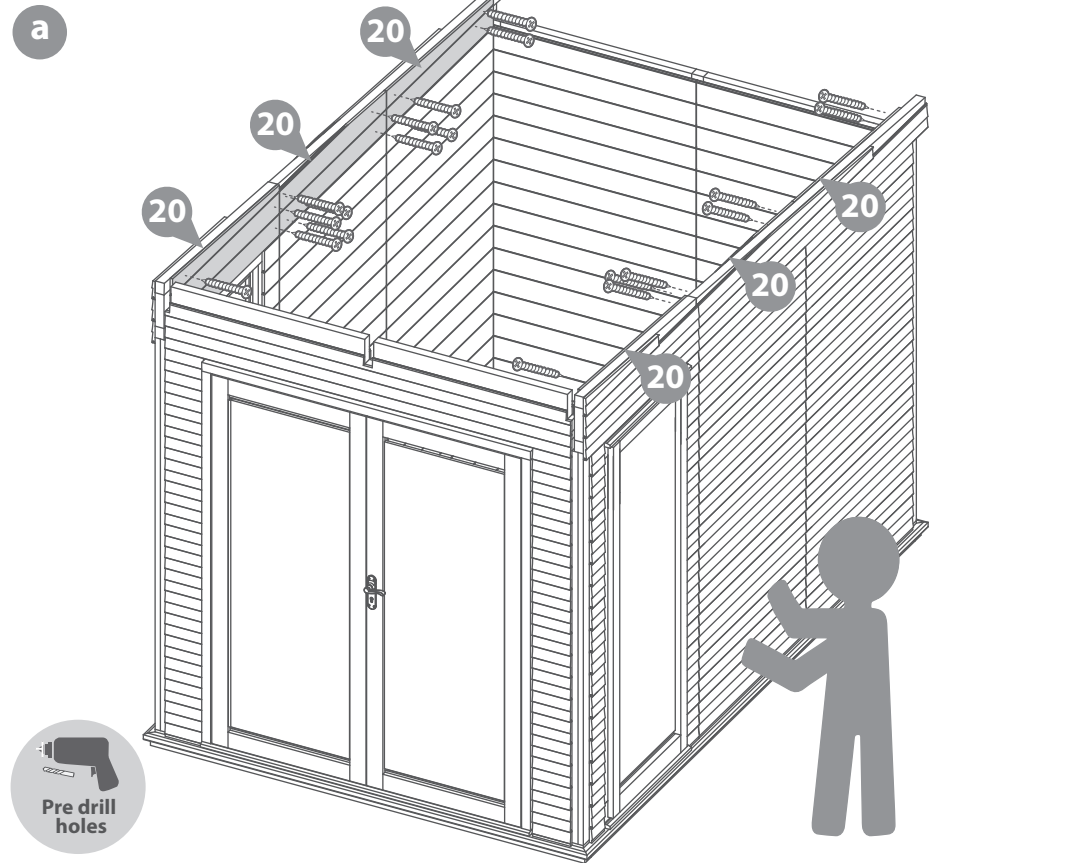
Clamps.



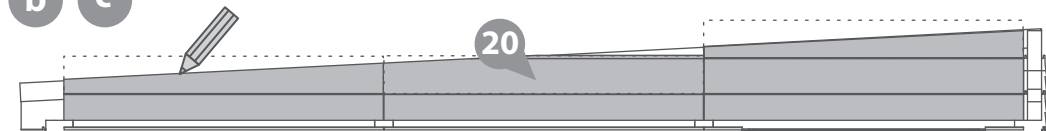
Drill / Pre drill.



50mm screw



**b** **c**



## Step 23 *Back Panel Installation.*

**Parts Needed - No.18 QTY 1**  
**No.19 QTY 1**

Position the Back Panel Left (**No.18**), Back Panel Right (**No.19**) on top of the back wall panels. The panels should sit on top of the panels below, not on the posts.

**Note:** There should be a gap between each panel the width of the panel frame below.

Once all panels are in position, fix in place by screwing through the panel framing into the framing below using 4x50mm screws per panel.

Ensure to pilot hole at an angle.

**8x50mm Screws**

**Important:** Pre-drill before fixing screws.



*Unstable building, provide support.*



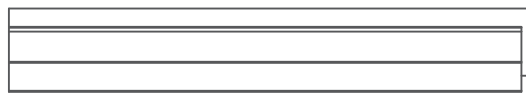
*Drill / Pre drill.*



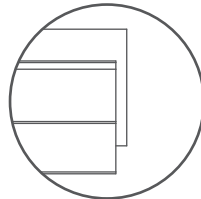
**50mm screw**

(EV)

18



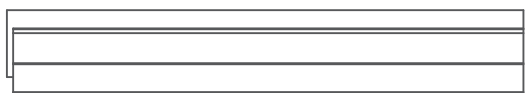
**Back Panel Left 60x155x989mm QTY 1**  
*AI-11IGRBPLL-V2*



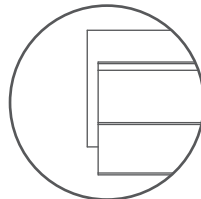
**No.18 Identification:**  
When looking at the cladding side, there will be a **cut out on the right**.

(EV)

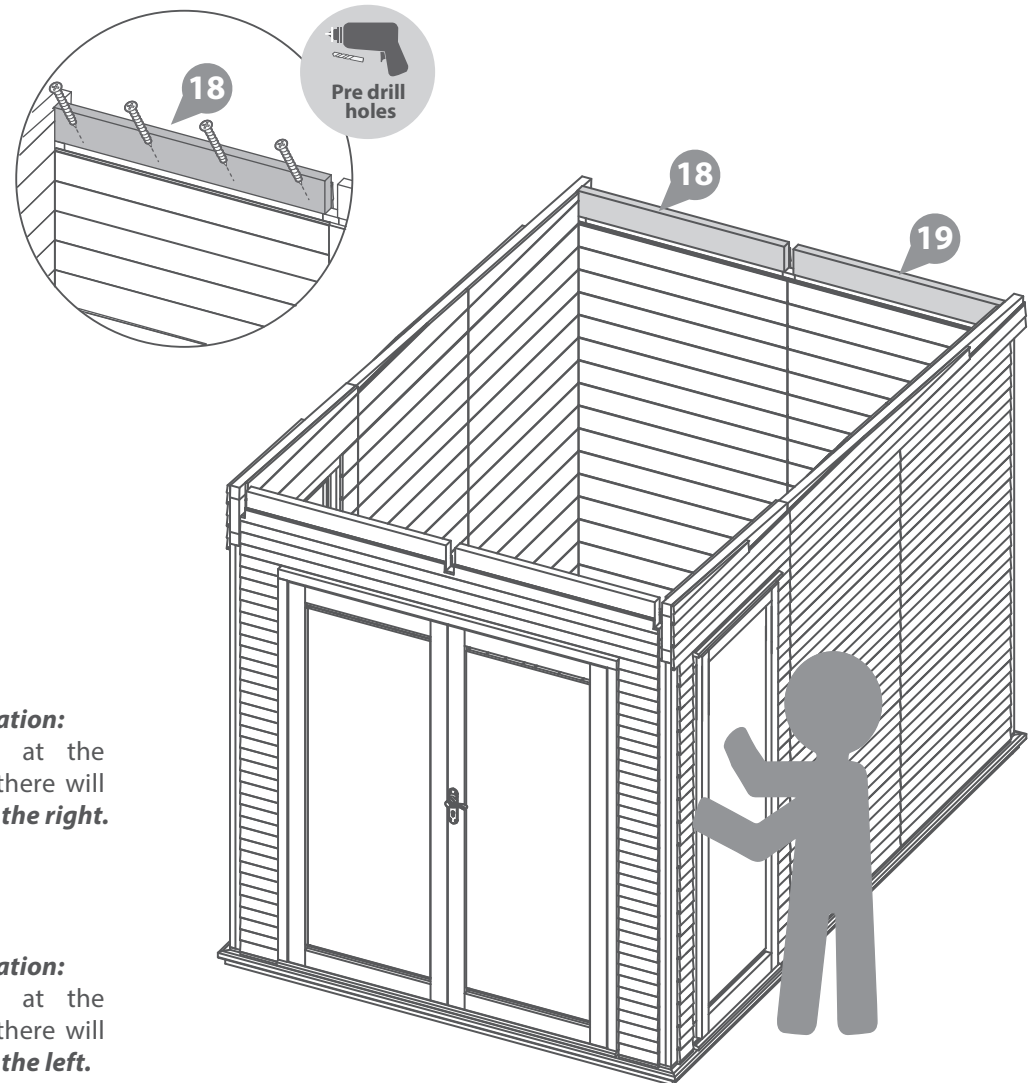
19



**Back Panel Right 60x155x989mm QTY 1**  
*AI-11IGRBPLR-V2*



**No.19 Identification:**  
When looking at the cladding side, there will be a **cut out on the left**.



## Step 24 *Central Roof Purlin Construction.*

**Parts Needed - No.26 QTY 1**  
**No.44 QTY 1**

- a** Measure the internal depth of your building, this should be approx 3000mm. Cut the Full Cover trim (**No.44**) to the measured depth.
- b** Locate the Full Cover trim (**No.44**) centrally to the thinner side of the Central Roof Purlin (**No.26**), as shown. The strip should sit with a space of **165mm** at the front and **144mm** at the back.
- c** Fix the Full Cover trim (**No.44**) to the Central Roof Purlin (**No.26**) using 4x50mm screws per purlin.

### 4x50mm Screws

**Important:** Pre-drill before fixing screws.



Saw.



Work bench.



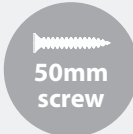
Tape Measure.



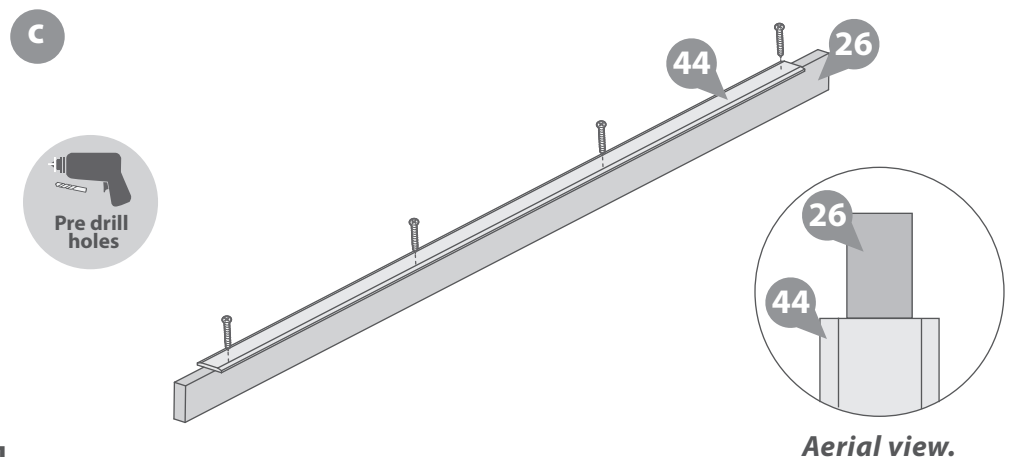
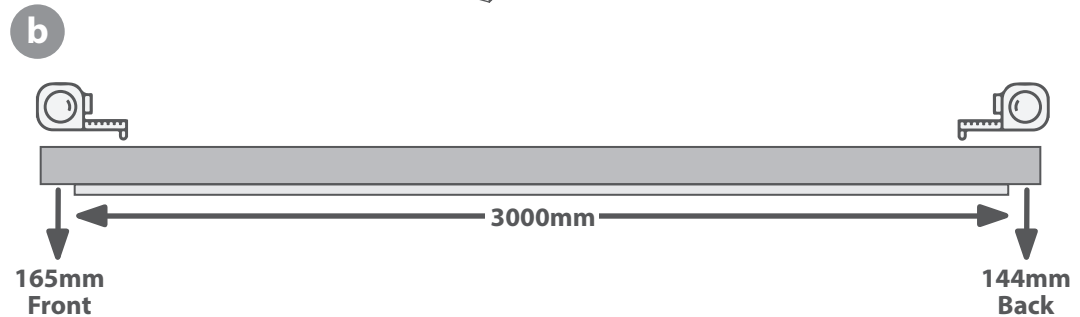
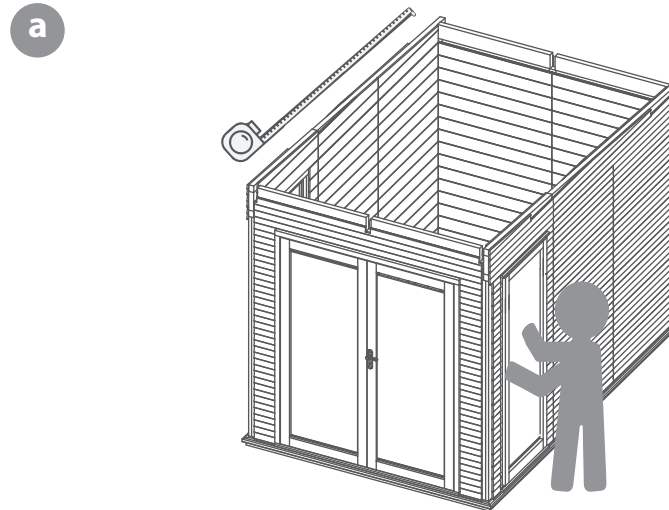
Clamps.



Drill / Pre drill.



50mm screw



## Step 2 Side Roof Purlin Construction.

**Parts Needed - No.27 QTY 2**  
**No.36 QTY 2**  
**No.43 QTY 2**

PLEASE SCAN HERE:



- a** Position one Roof Block (**No.36**) at the end of the Side Roof Purlin (**No.27**). Align the square end of the roof overhang with the end of the Side Roof Purlin, as shown.

Fix the Roof Block in place using 2x50mm screws going through the Side Roof Purlin into the block.

- b** Cut one Half Cover Trim (**No.43**) to the depth of the internal building (approx, 3000mm).

Locate the cut Half Cover Trim flush onto the thinner side of the Side Roof Purlin. Ensure the trim sits flush to the back end of the purlin, the flat edge is flush to the Purlins edge and the chamfered edge is on the outside, as shown.

- c** Fix the Half Cover Trim (**No.43**) in place using 4x50mm screw.

- d** Repeat this step and create a mirrored assembly to make a left and right purlin as shown.

### 12x50mm Screws

**Important:** Pre-drill before fixing screws.



Saw.



Work bench.



Tape Measure.

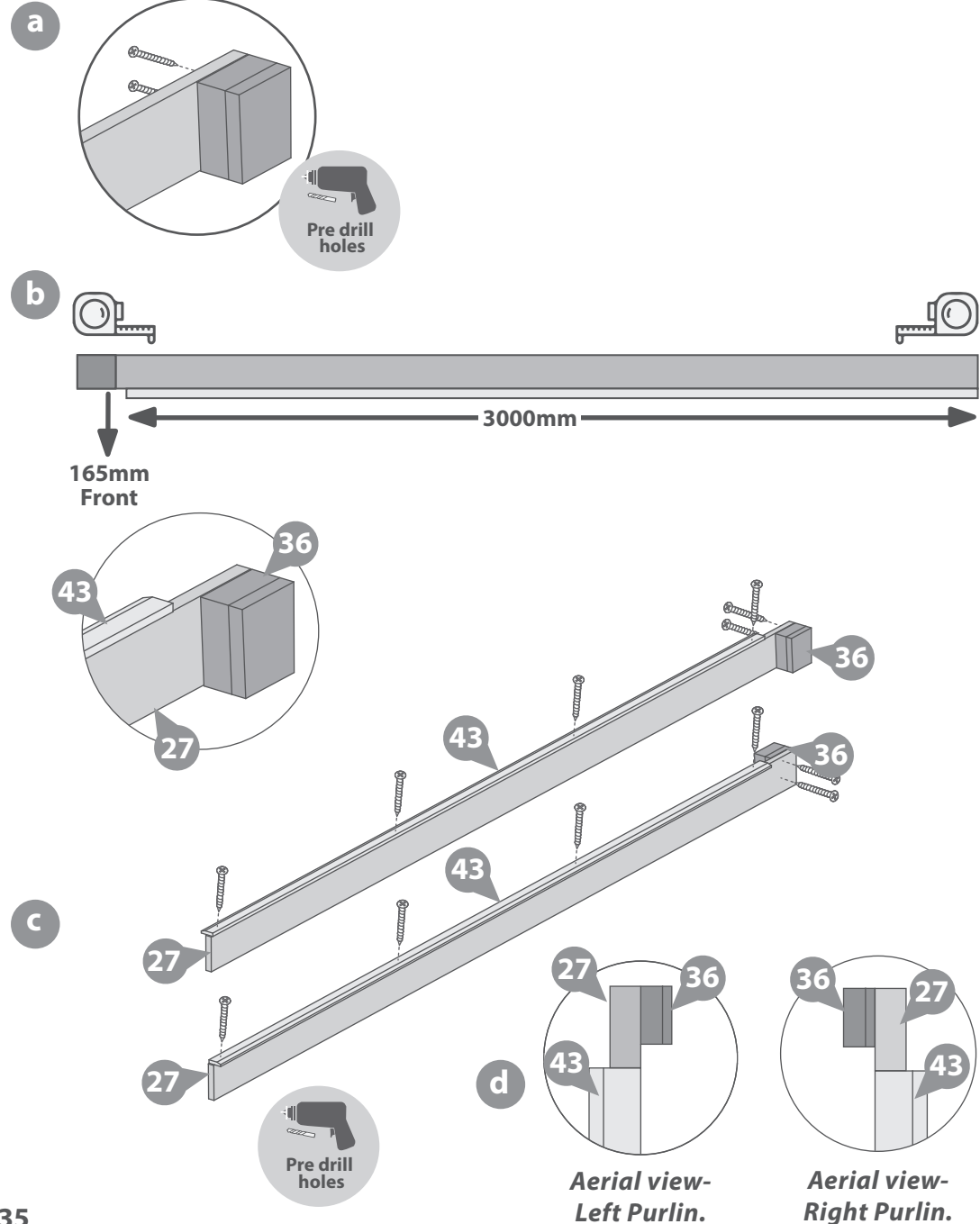


Clamps.



Drill / Pre drill.

50mm screw



## Step 26 Positioning Roof Purlins.

Parts Needed - No.26 QTY 1

Take the assembled Central Roof Purlin (**No.26**) and slot into the Front panels gaps, ensuring the strip sits inside the building.

Ensure the **165mm** gap sits at the front of the building and the purlin slots into the gap in the Front panel. At the back, the Purlin should slot into the gap between the back panel and sit on top of the panel frame.

PLEASE SCAN HERE:

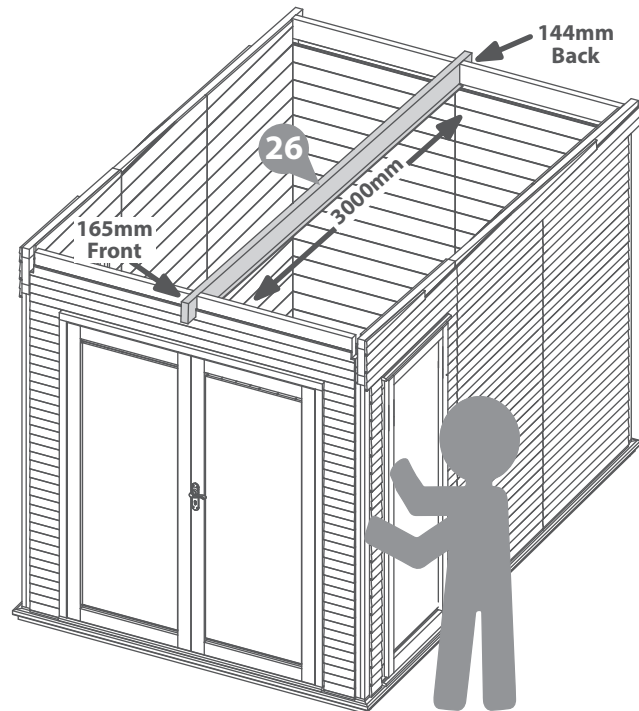


**NOTE:** If the gaps within the panel toppers are not wide enough for the purlin, sand down the opening and use a mallet to persuade the purlin into place.

**Do not secure until all purlins are in place.**  
(Step 29)



Unstable building, Rubber Mallet. Tape Measure. provide support.



## Step 27 Internal Back Boards Installation.

Parts Needed - No.33 QTY 2

On the back wall, slot the Back Boards (**No.33**) on top of the plain panels and in front of the back panels and fix in place with 2x50mm screws per board keeping to the edges to then be covered by trims.

4x50mm Screws

**Important:** Pre-drill before fixing screws.



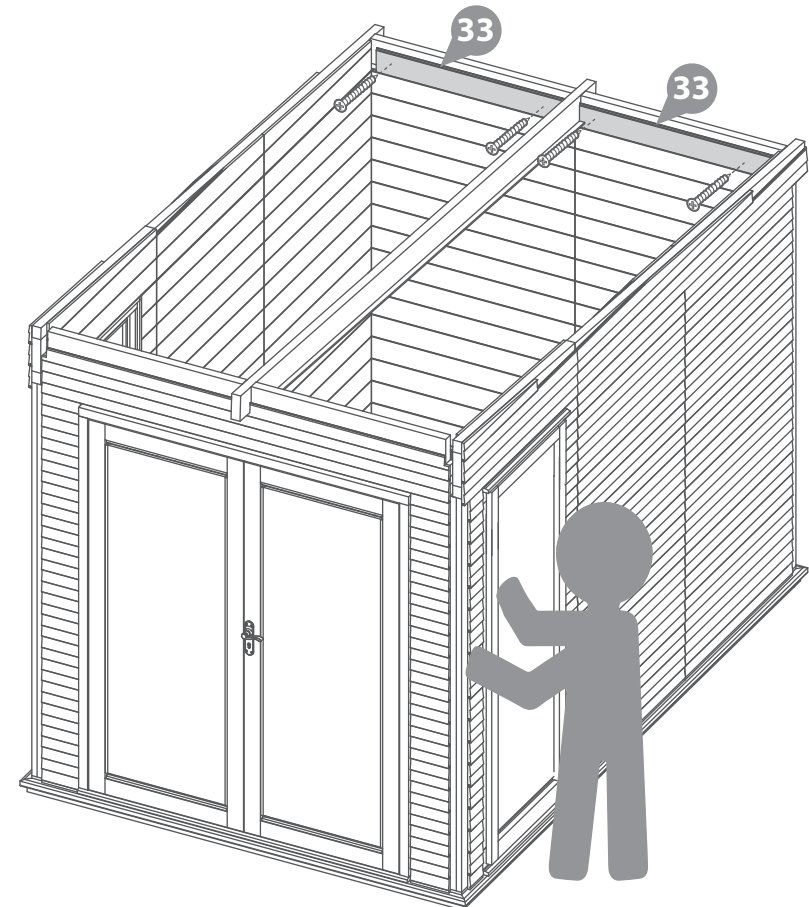
Unstable building, provide support.



Drill / Pre drill.



50mm screw



Pre drill holes

## Step 28 Positioning Side Purlins.

Parts Needed - No.27 QTY 2

**NOTE:** To fit the left and right roof purlins, there will need to be two people.

**Before starting, decide which side to start on and locate the correct assembled Side Purlin - left or right. The Roof Block should overhang at the front of the building and the attached strip should be on the underside and face into the building.**

Position the chosen Side Roof Purlin (**No.27**) so that the framing sits flush to the wall, the roof block overhangs the building at the front and slots into the gap between the panel topper and the gable. The purlin will sit inside the building at the back.

Align the purlin to the angle of the gable and screw into place using 5x50mm screws.

Repeat this process to fit the other Side Roof Purlin.

### 10x50mm Screws

**Important:** Pre-drill before fixing screws.



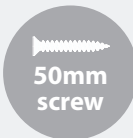
Unstable building,  
provide support.



Drill / Pre drill.

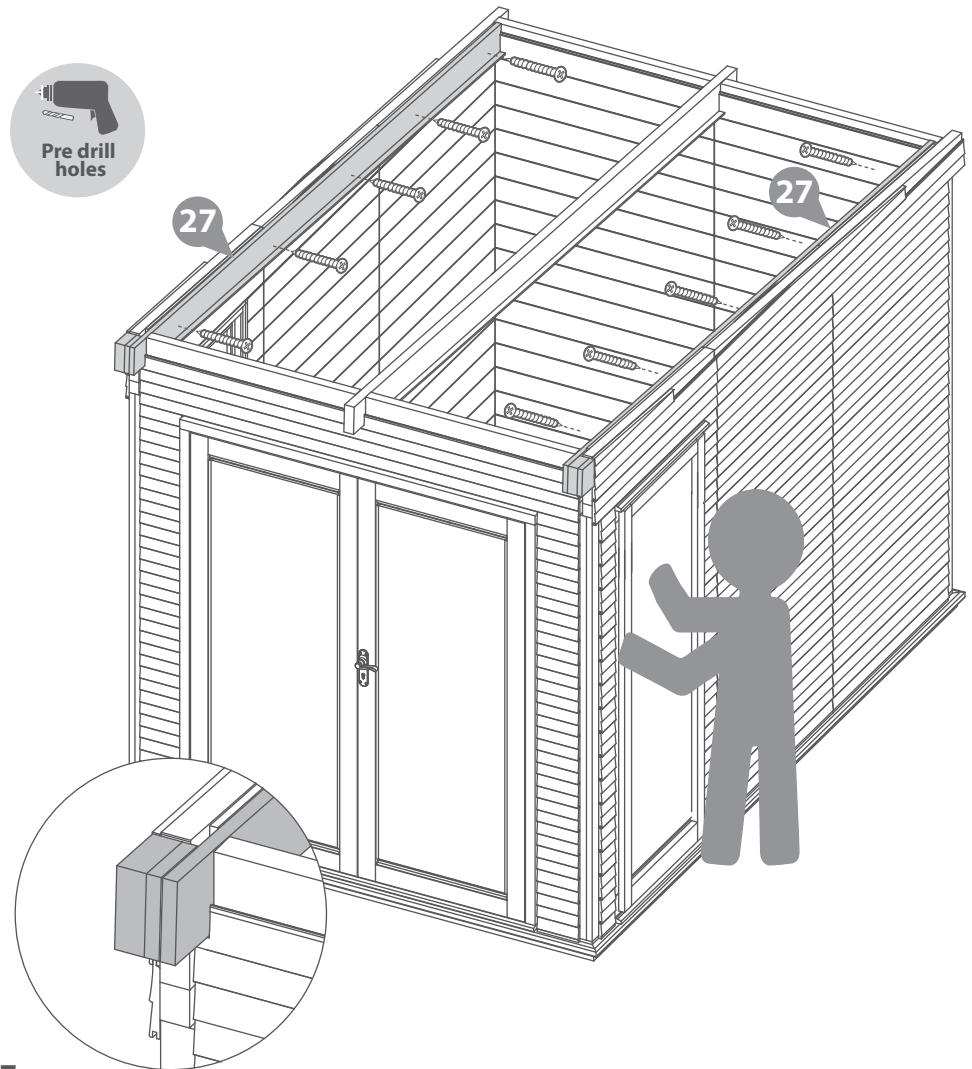
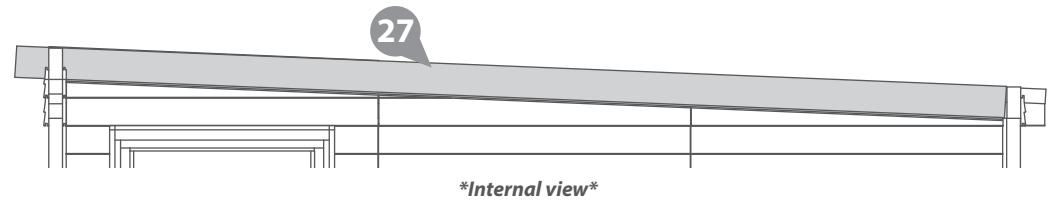


Rubber Mallet.



50mm  
screw

PLEASE SCAN HERE:



## Step 29 Fixing Roof Purlins.

PLEASE SCAN HERE:



**a** Fix the Central Purlin in place by screwing through the top of the purlin at an angle into the adjacent panel toppers. Use 2x100mm screws per end, as shown in the diagram.

**b** Fix the front of the Side Purlins into place by screwing through the top of the purlin at an angle into the adjacent Front Panel and Gable. Use 2x100mm screws per end, as shown in the diagram.

*\*Ensure to stagger screws to avoid collision.*

**c** Check your building is square by measuring diagonally from one corner to another, internally. If the measurements are not the same, unscrew the purlins and pull/push the walls in at the front or back to adjust.

Adjust and re-measure until your building is square (the measurements are the same).

**8x100mm Screws**

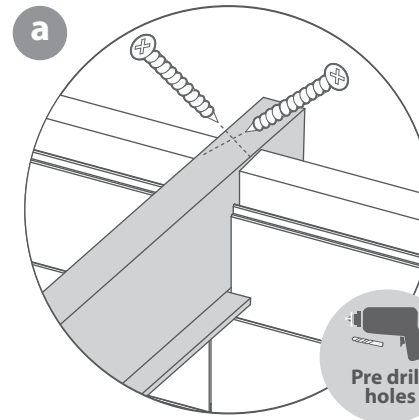
**Important:** Pre-drill before fixing screws.



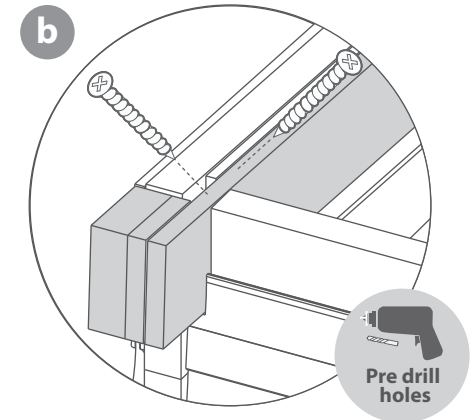
Drill / Pre drill.



100mm  
screw



Central Purlin



Side Purlins



## Step 30 *Roof Panel Installation.*

Parts Needed - No.29 QTY 2  
No.30 QTY 2

PLEASE SCAN HERE:



- a** Starting from one side of the building, place Roof A (No.29) to the front of the building and Roof B (No.30) to the back of the building, with panels resting on the curved strips fitted to the purlins.

**Note:** The Roof Panels should be positioned so that the boarded side is on the inside and the insulated side is outside, face up.

Lift both panels at the centre to interlock the tongue and groove, this ensures a seamless join internally.

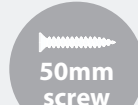
- b** Fix the Roof Panels together using 3x50mm screws in an alternating pattern. Secure the Roof Panels in place using 6x50mm screws per Panel, screwing through the Roof Panel framing into the roof purlins on both sides.
- c** Once fixed, ensure the Roof Panels are spaced evenly across the roof section. There should be an equal gap at the front and back of the building.
- d** Continue to place and secure the Roof Panels, working from one side of the building to the other, as shown.
- e** Once all the Roof Panels have been fitted and secured, check your building is square using the same method as step 29. If the measurements are not equal, unscrew the Roof Panels and adjust accordingly.

**30x50mm Screws**

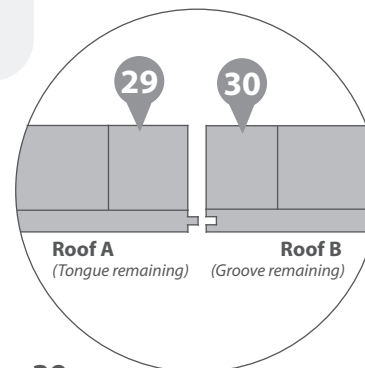
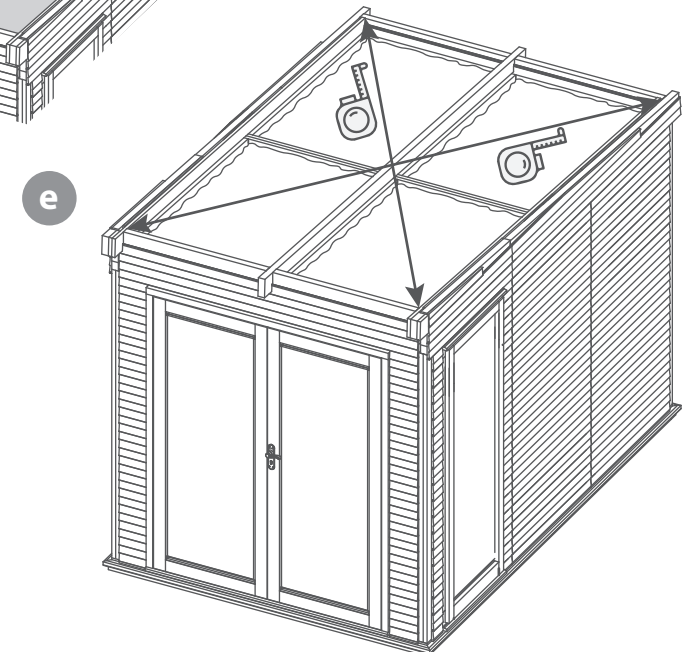
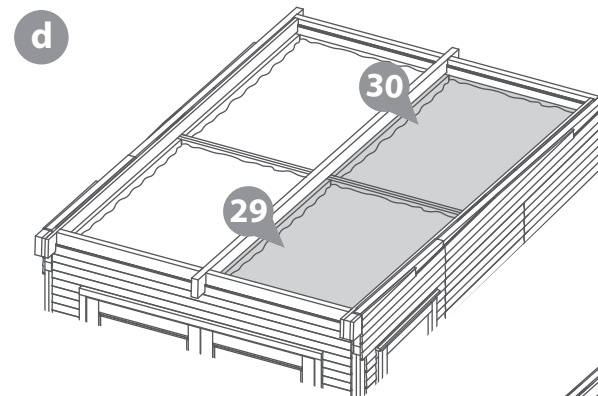
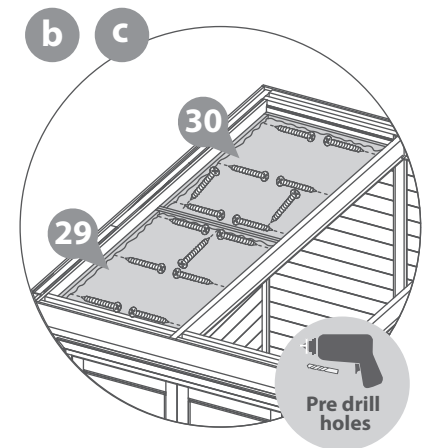
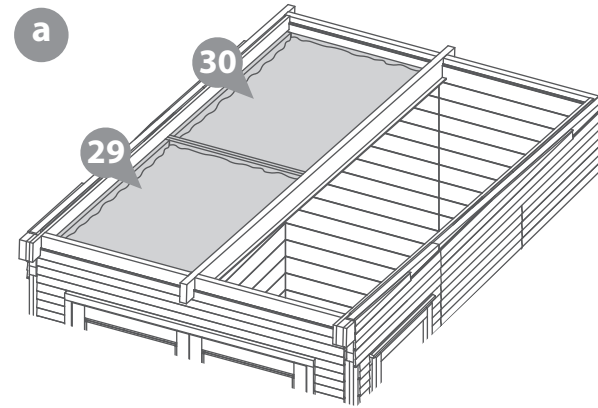
**Important:** Pre-drill before fixing screws.



Drill / Pre drill.



50mm screw





## Step 31 *Roof Framing Installation.*

Parts Needed - No.28 QTY 1  
No.31 QTY 2

- a** Locate the Front Roof Framing (**No.31**) between the Purlins at the front of the building, ensuring the framing is flush to the top and end of the Purlins.

Fix in place using 2x100mm screws per piece. Screw up through the roof framing at an angle into the Roof Purlins, as shown. Ensure to stagger the screws to avoid collision.

- b** Measure the space between each Purlin at the back of the building and cut the Back Roof Framing (**No.28**) to the length of each gap.

- c** Locate the Back Roof Framing (**No.28**) between the Purlins at the back of the building, ensuring the framing is flush to the top and end of the Purlins.

Fix the cut Back Roof Framing (**No.28**) in place using 2x100mm screws per piece. Screw up through the roof framing at an angle into the Roof Purlins, as shown. Ensure to stagger the screws to avoid collision.

**NOTE:** Ensure the framing is flush to the ends of the purlins - this means there will be a gap between the framing and the building. If they sit proud sand them down to the same level as the purlins before continuing.

### 8x100mm Screws

**Important:** Pre-drill before fixing screws.



Saw.



Work bench.



Tape Measure.



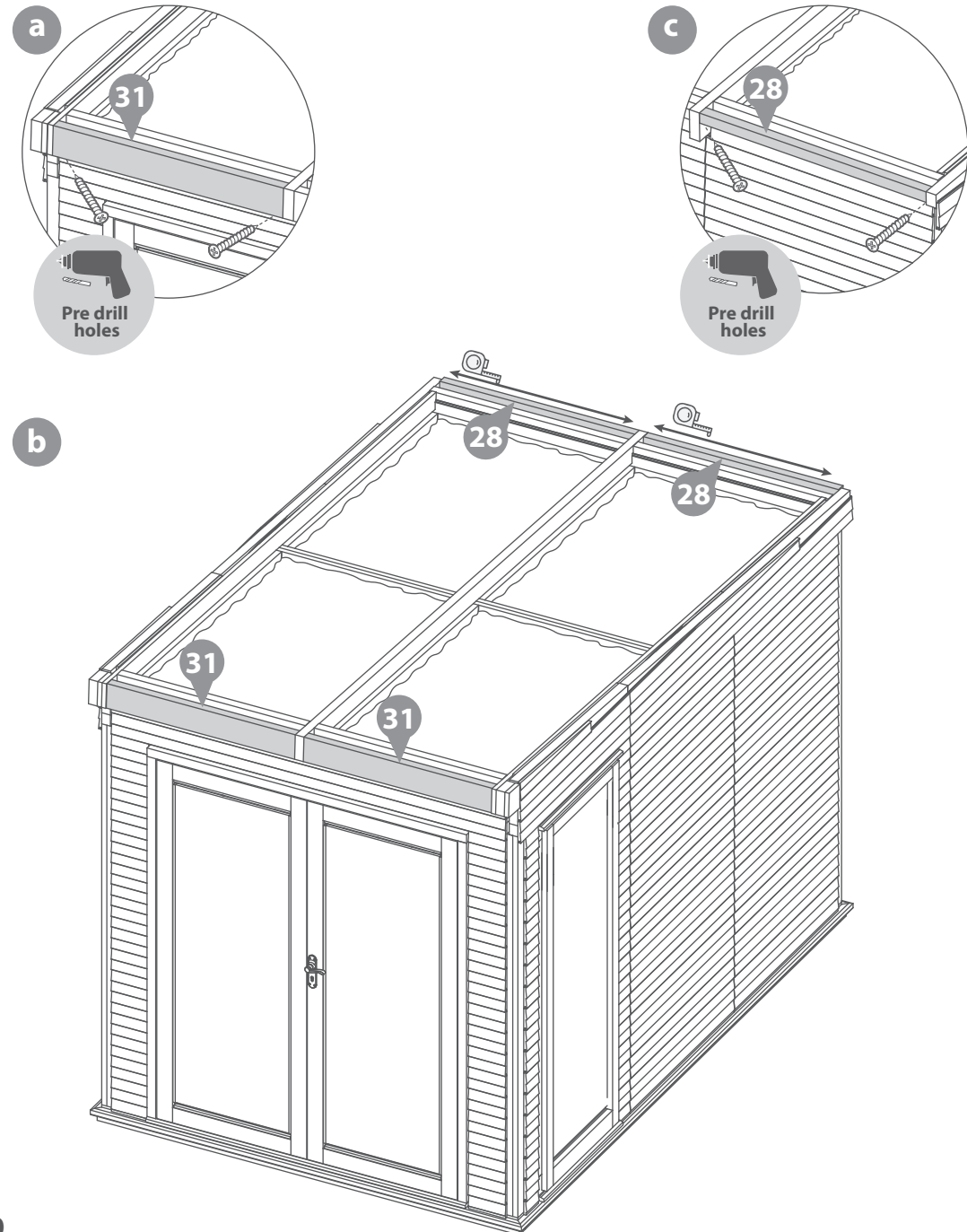
Clamps.



Drill / Pre drill.



100mm screw



## Step 32 *Roof Bearer and sheet Installation (Front Left).*

**Parts Needed - No.32 QTY 3  
No.34 QTY 1**

PLEASE SCAN HERE:



- a** Starting on one side of the building, on the front section of the Roof panels, position three Roof Bearers (**No.32**) onto the insulation of the roof panels. Roughly space the bearers with 500mm between each.

**NOTE:** To ensure the bearers line up with the OSB, place the relevant OSB sheet alongside the bearers and use this as a guide.

Ensure the third roof bearer placed is central to where Roof A and Roof B join, and that each bearer finishes flush with the top of the roof purlins. If they sit proud, sand them down to the same level as the roof purlins.

Fix the Bearers in place using 2x100mm screws per bearer, ensuring to screw through the roof bearer at an angle into the roof purlin.

- b** Once three bearers have been placed, locate one OSB sheet (**No.34**) on top of the bearers. Ensure the sheet is flush and square to the front and side of the building and is central to the purlin.

Secure in place using 16x50mm screws.

**NOTE:** Use a spare piece of timber as a guide to ensure screws go through into the roof bearers.

**6x100mm Screws**

**16x50mm Screws**

**Important:** Pre-drill before fixing screws.



Tape Measure.



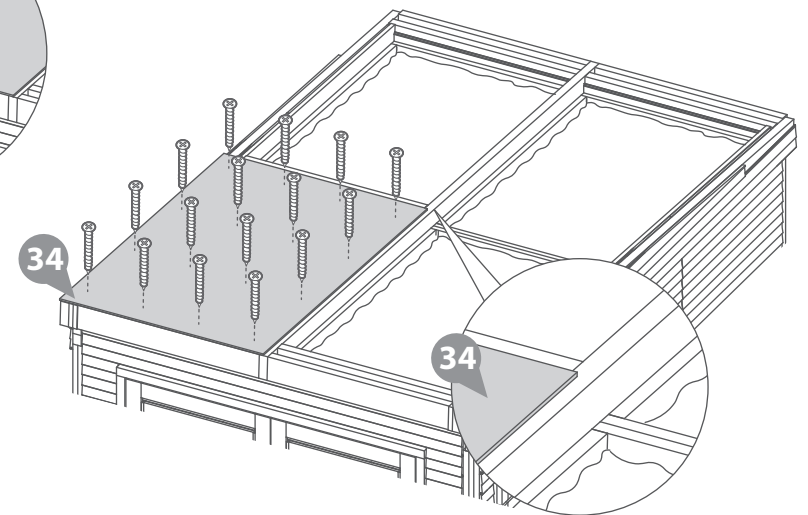
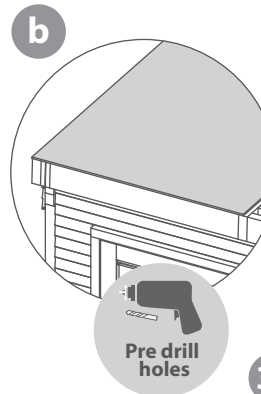
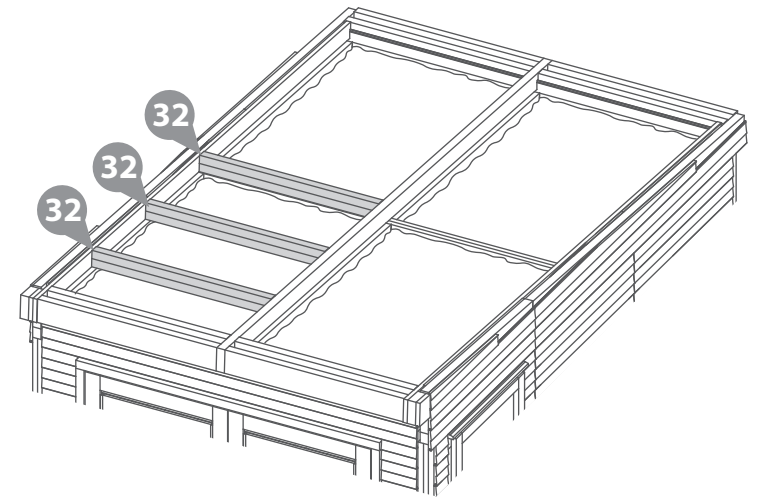
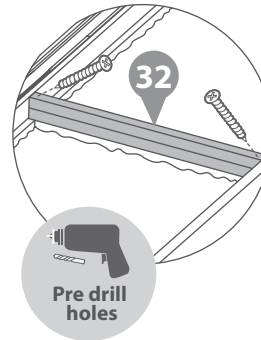
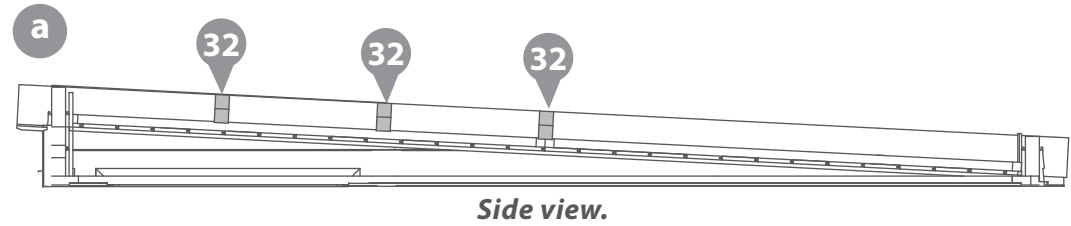
Drill / Pre drill.



50mm screw



100mm screw



# ROOF INSTALLATION

## Step 33 *Roof Bearer and sheet Installation (Back Left).*

Parts Needed - No.32 QTY 2  
No.35 QTY 1

PLEASE SCAN HERE:



- a** On the back section of the Roof panels, position two Roof Bearers (No.32) onto the insulation of the roof panels. Roughly space the bearers with 500mm between each.

**NOTE:** To ensure the bearers line up with the OSB, place the relevant OSB sheet alongside the bearers and use this as a guide.

Fix the Bearers in place using 2x100mm screws per bearer, ensuring to screw through the roof bearer at an angle into the roof purlin.

- b** Once two bearers have been placed, locate one OSB sheet (No.35) on top of the bearers, ensuring the sheet is flush and square to the edges of the building, the previously placed OSB sheet and is central to the purlin.

Secure in place using 16x50mm screws.

**NOTE:** Use a spare piece of timber as a guide to ensure screws go through into the roof bearers.

4x100mm Screws

16x50mm Screws

**Important:** Pre-drill before fixing screws.



Tape Measure.



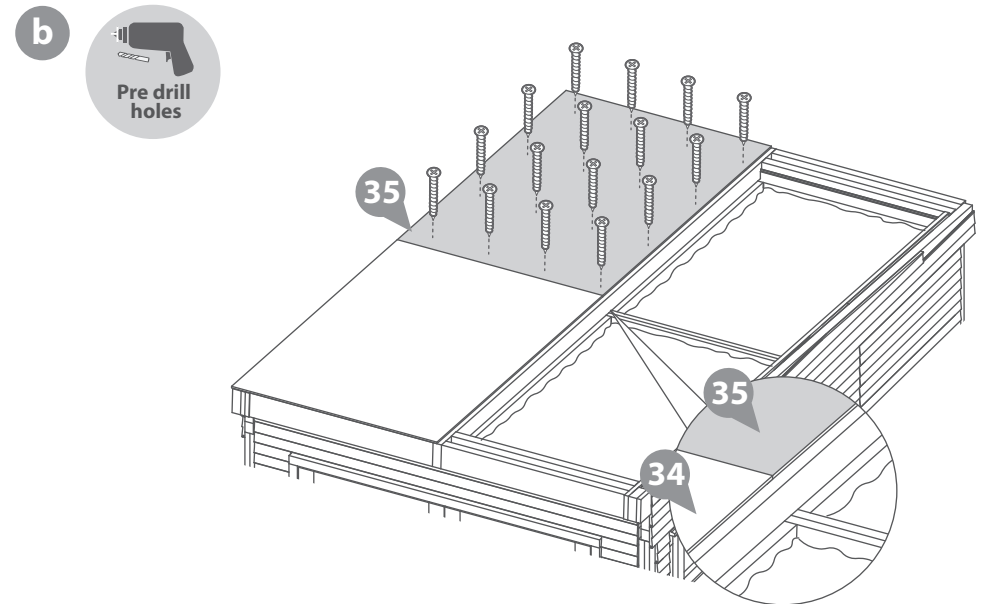
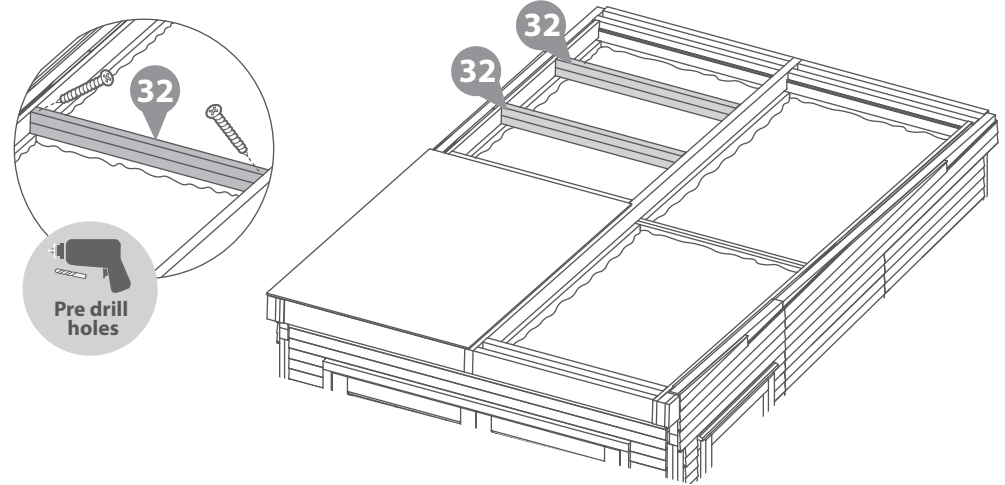
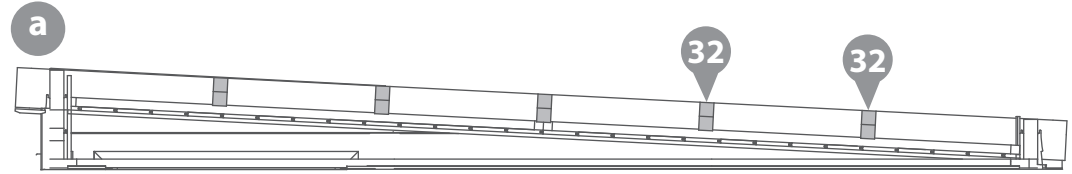
Drill / Pre drill.



50mm screw



100mm screw



# ROOF INSTALLATION

## Step 34 Roof Bearer and sheet Installation (Right Side).

Parts Needed - No.32 QTY 5  
No.34 QTY 1  
No.35 QTY 1

PLEASE SCAN HERE:



- a** Moving on to the next front section of the roof, position and fix three Roof Bearers (No.32) onto the insulation of the roof panels using 2x100mm screw per bearer, as done in Step 32.

**NOTE:** Use the point where the two previously placed OSB sheets meet as a guide for the placement of the third bearer.

Locate and fix one OSB sheet (No.34) on top of the bearers using 16x50mm screws. Ensure the sheet is flush and square to the front and side of the building and is central to the purlin.

- b** On the back section of the Roof panels, position and fix two Roof Bearers (No.32) onto the insulation of the roof panels, as done in Step 33.

Locate and fix one OSB sheet (No.35) on top of the bearers using 16x50mm screws. Ensure the sheet is flush and square to the edges of the building, the previously placed OSB sheet and is central to the purlin.

10x100mm Screws  
32x50mm Screws

**Important:** Pre-drill before fixing screws.



Tape Measure.



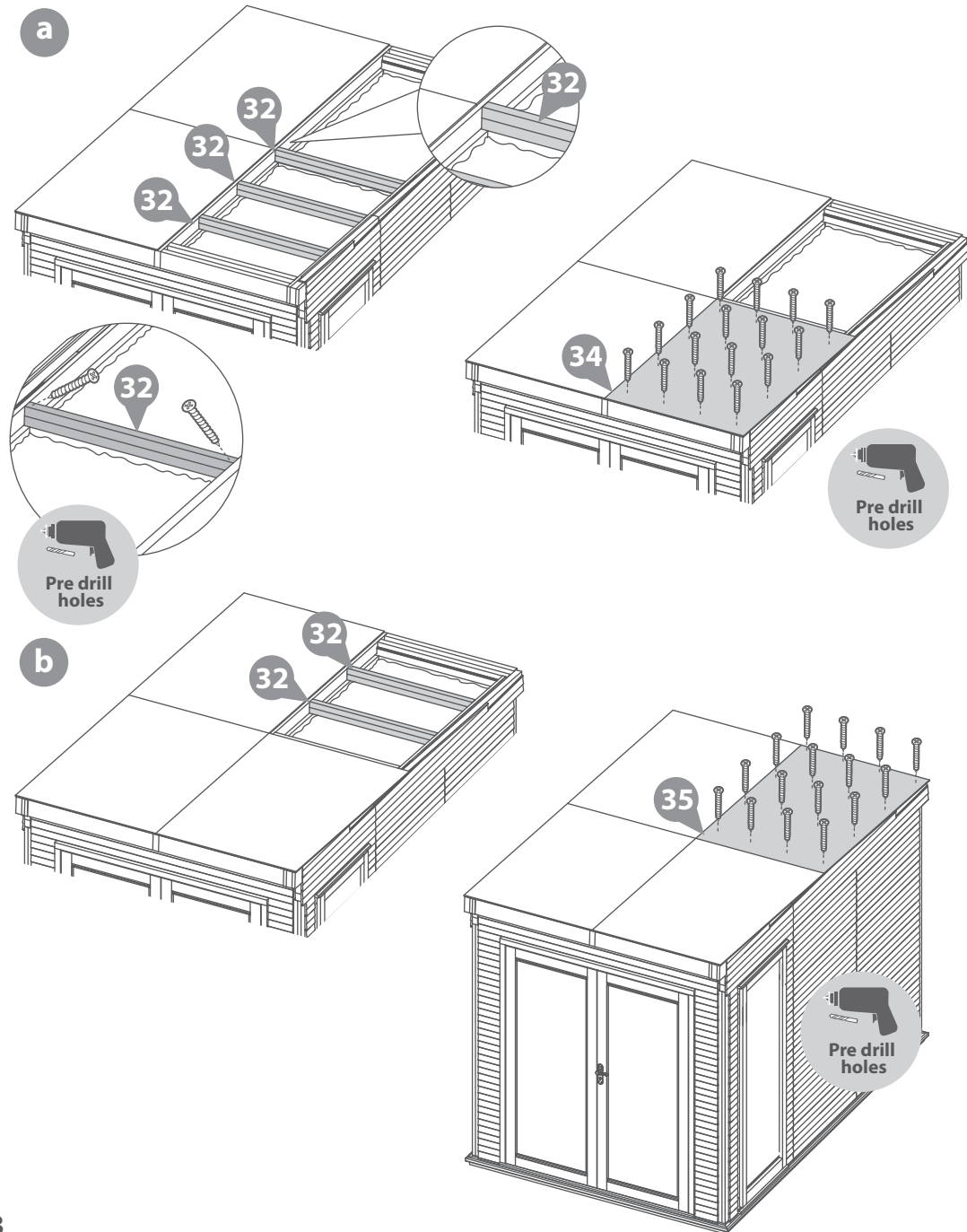
Drill / Pre drill.



50mm  
screw



100mm  
screw



# ROOF INSTALLATION

## Step 35 *Felting the Roof.*

Parts Needed - No.37 QTY 1  
No.38 QTY 1

PLEASE SCAN HERE:



- a** Cut the felt (No.37) into 4 strips measuring:  
**2300mm (L) X 1000mm (W).**

Lay the sheets onto the roof in the order shown in the diagram, ensuring the sheets overlap by 50mm. Make sure there is a 75mm overhang around the sides of the building and 150mm at the front and back

- b** To ensure a complete bond between the joins, apply the Bitumen (No.38) between each overlapping layer, as shown in the image. Ensure to apply the Bitumen using a sealant application gun and in a 'wiggly' line for the best finish. Once applied, compact the layers to seal.

- c** To further secure the felt in place, hammer felt tacks into the overlapping layers, the front, back and sides of the building at 100mm intervals, as shown.



Hammer.



Sealant application gun.



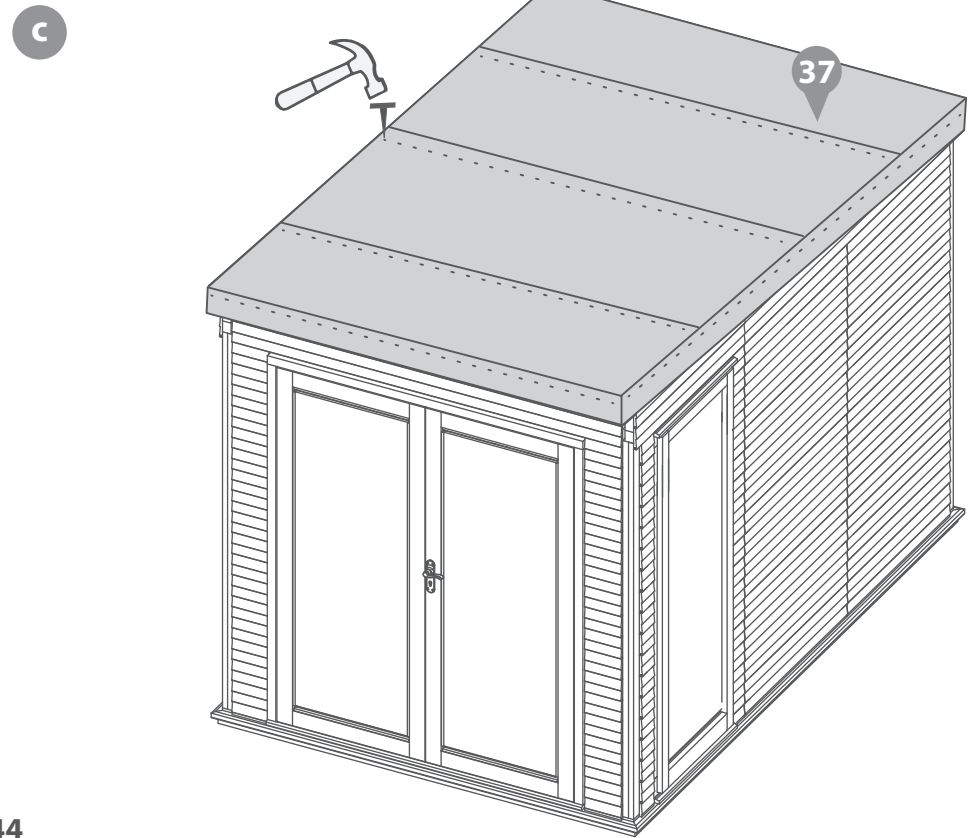
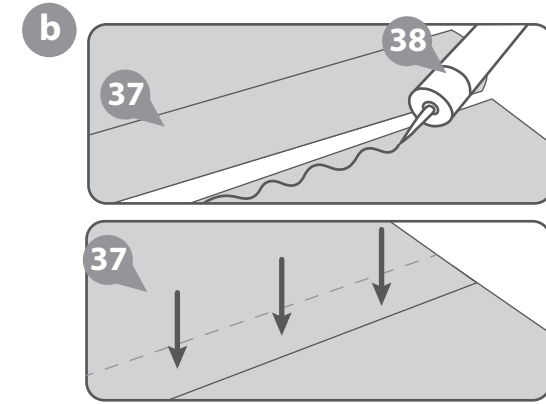
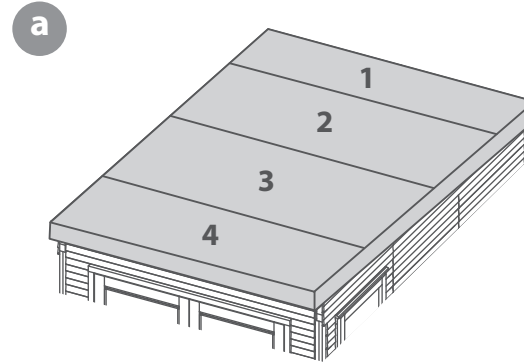
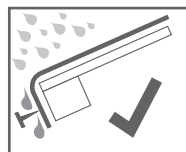
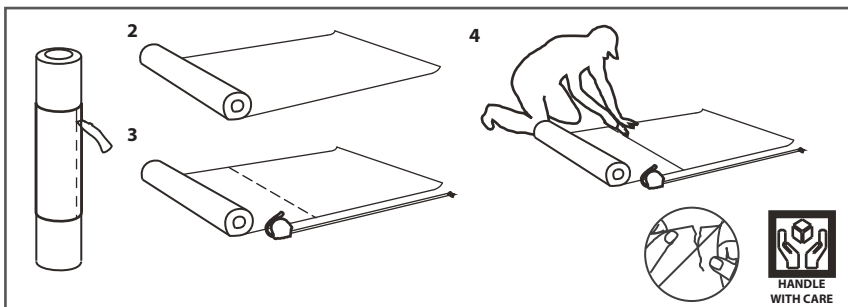
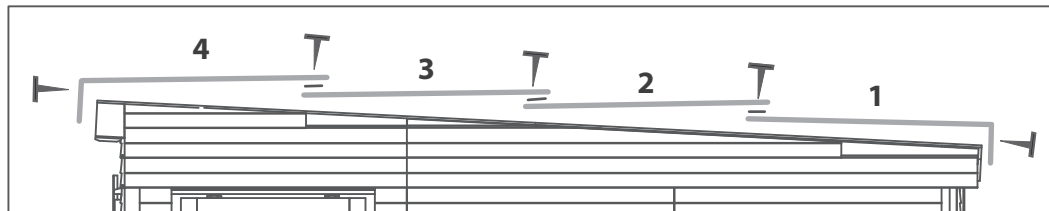
Cutting tool.



Tape Measure.



Felt tacks



## Step 36 *Fitting the Fascias.*

### Parts Needed - No.39 QTY 4

- a** Measure the sides of the building (*from the edge of the roof at the front to the end of the roof purlin at the back*) and cut two Fascias (**No.39**) to the measured lengths.

Fix the cut Fascias to the sides of the building using 5x50mm screws per Fascia.

- b** Measure the full length of the roof at the front and the back of the building, ensuring to cover the ends of the side Fascias just fitted. Cut two Fascias (**No.39**) to the measured lengths.

Fix the cut Fascias in place using 4x50mm screws. The back fascia's should be fixed to the purlins which means the fascia sits under the roof sheets, the felt should wrap under the roof and between the purlin and the fascia.

### 18x50mm Screws

**Important:** Pre-drill before fixing screws.



Saw.



Work bench.



Tape Measure.



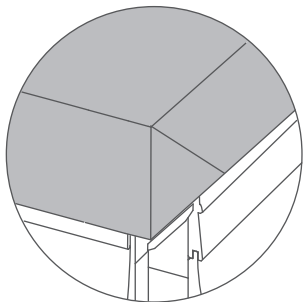
Clamps.



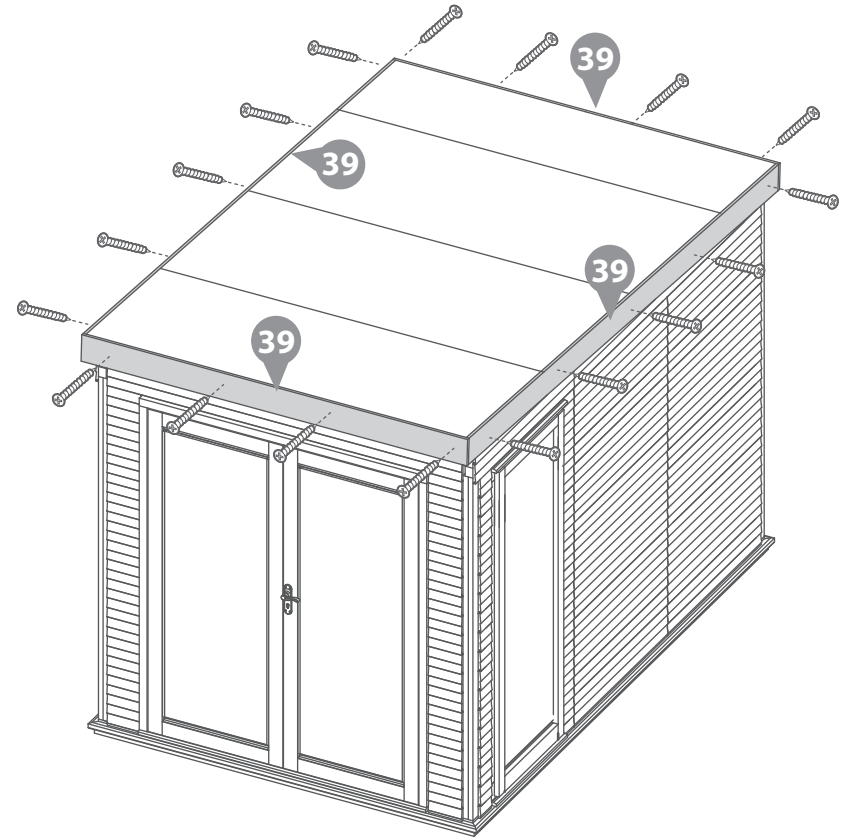
Drill / Pre drill.



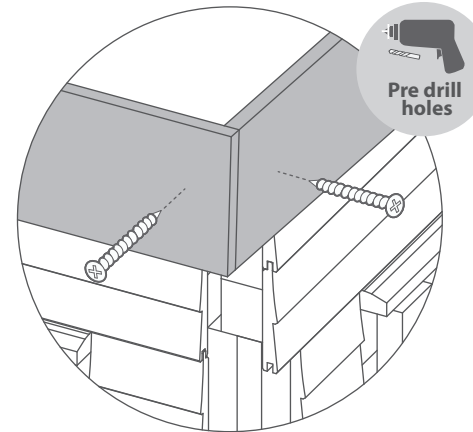
50mm screw



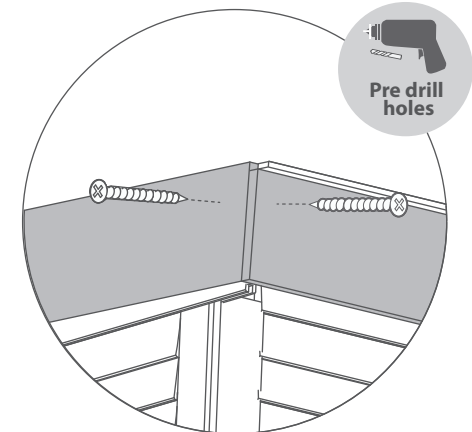
**NOTE:** At the four corners of the building pinch the felt corners and fold inwards to form a triangle. These will be held down once the fascias are fitted.



FRONT



BACK



## Step 37 Beading and Skirting Filler Installation.

Parts Needed - No.45 QTY 1  
No.46 QTY 6

PLEASE SCAN HERE:



**NOTE:** These trims are to be fitted internally.

- a** On the inside of the building, measure along the top of the Window Frame opening.  
  
Cut a beading strip (**No.46**) to the measured length and fix in place using 2x50mm.
- b** Measure the length (top to bottom) of the Window Frame opening on either side of the window.  
  
Cut a beading strip (**No.46**) to the measured lengths and fix in place using 3x50mm screws per strip.
- c** Repeat the above process for each Window and for the Door Frame. Fix the beading strips for the door in place using 3x50mm screws for the top and sides.
- d** At the bottom of the Window and Door frames, measure the gap between the beading strips.  
  
Cut the Skirting Filler (**No.45**) to the measured lengths and locate the skirting in the gaps. Fix the window skirting in place using 2x50mm screws and the door skirting with 3x50mm screws.

### 32x50mm Screws

**Important:** Pre-drill before fixing screws.



Saw.



Work bench.



Tape Measure.



Clamps.

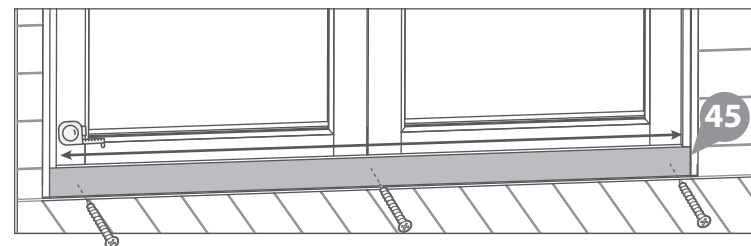
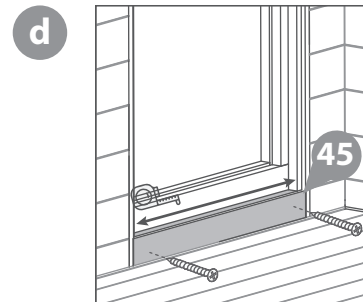
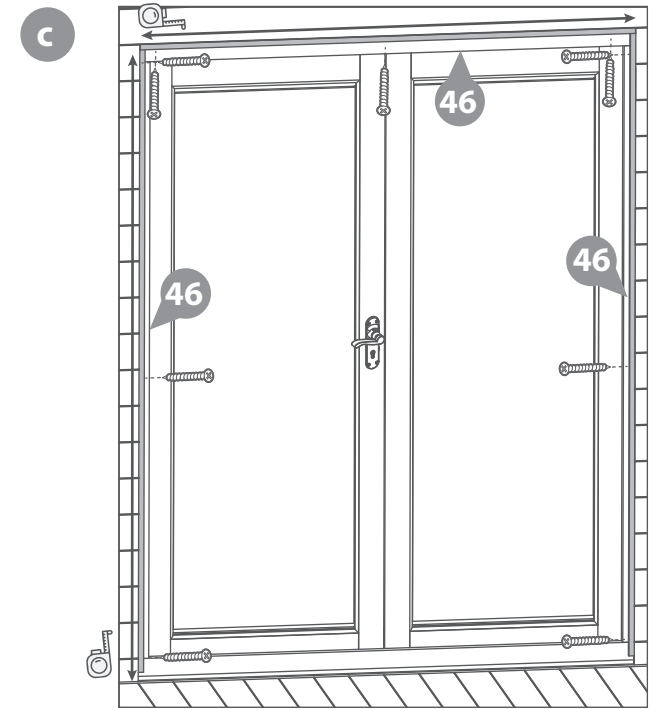
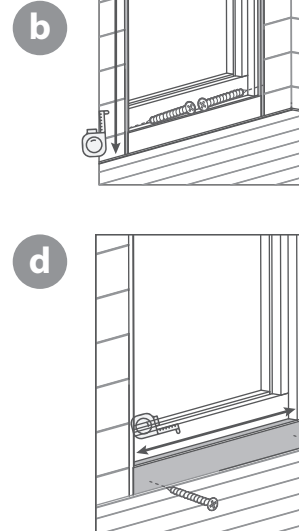
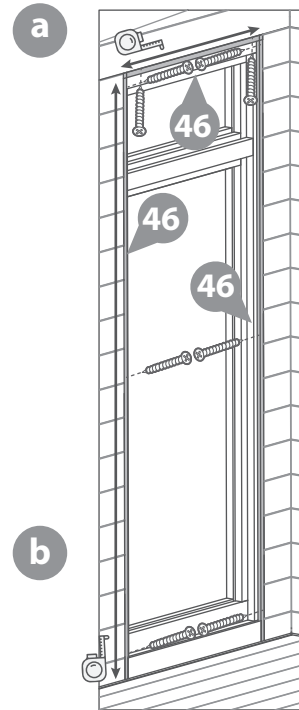


Drill / Pre drill.



50mm screw

*\*Internal Views\**



## Step 38 Skirting Installation.

Parts Needed - No.42 QTY 3

**NOTE:** These trims are to be fitted internally.

PLEASE SCAN HERE:



**a** On the inside of the building, measure the internal distance from the left side of the building to the right.

Cut the Curved Trims (**No.42**) to the measured lengths and locate against the floor and walls, as shown.

Fix in place using 8x50mm screws per board. The trim should be fitted in full across the door and window panels.

**b** Measure the internal distance between the front and back trims previously fitted in Step A.

Cut the Curved Trims (**No.42**) to the measured lengths and locate against the floor and walls, as shown.

Fix in place using 6x50mm screws per trim.

### 28x50mm Screws

**Important:** Pre-drill before fixing screws.



Saw.



Work bench.



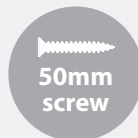
Tape Measure.



Clamps.

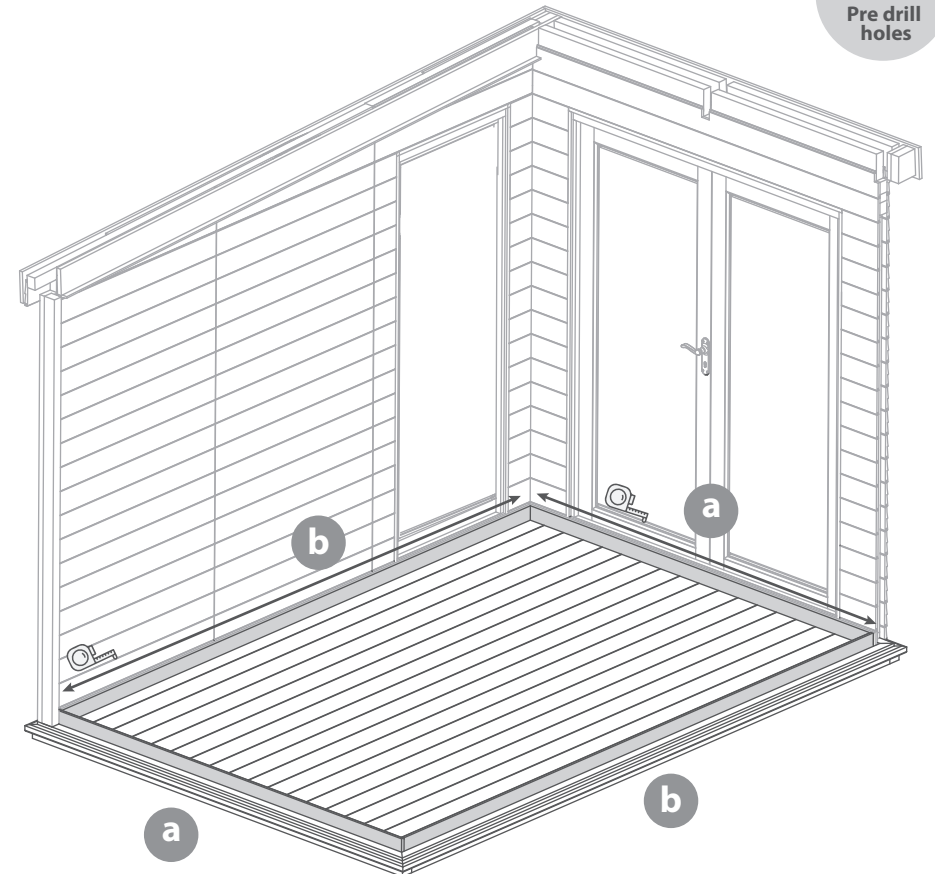
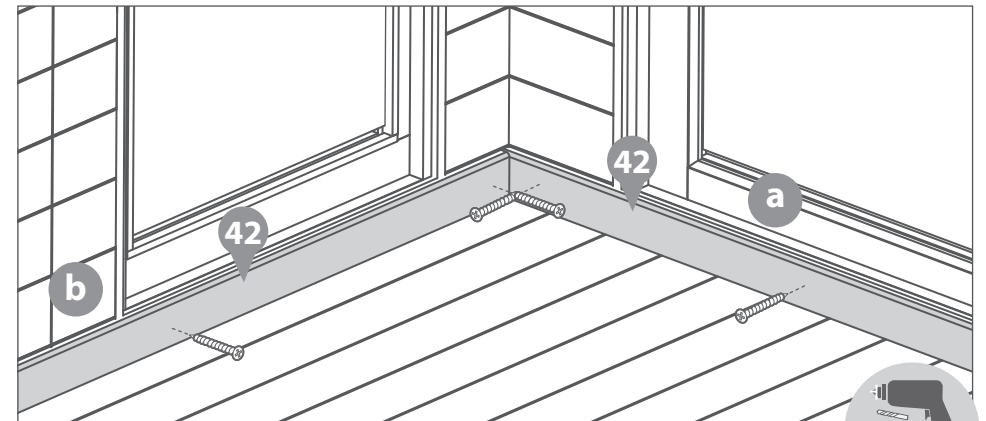


Drill / Pre drill.



50mm screw

*\*Internal Views\**





## Step 39 Internal Door architrave Installation.

Parts Needed - No.42 QTY 2

**NOTE:** These trims are to be fitted internally.

PLEASE SCAN HERE:



- a** Cut a 45 degree angle into one end of a Curved trim (No.42).

From inside the building, measure the beading strip above the door to get the internal length of the trim.

Use this measurement to mark up the 45 degree angle for the opposite end of the strip, working outwardly from the length measured. Cut the mirrored 45 degree angle in the opposite end of the trim at the measured length.

Secure the trim above the door using 3x50mm screws, ensuring the corners line up with the corners of the beading strip.

- b** Measure from the skirting to the top and bottom edge of the trim above the door. Using these measurements, mark and cut a Curved trim (No.42) for either side of the door. Ensure the angled cuts are mirrored.

Secure the trims either side of the door using 3x50mm screws per trim.

### 9x50mm Screws

**Important:** Pre-drill before fixing screws.



Saw.



Work bench.



Tape Measure.



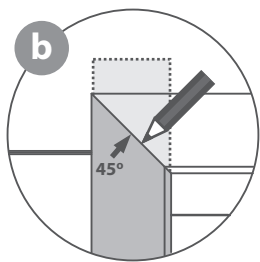
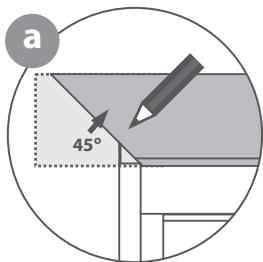
Clamps.



Drill / Pre drill.



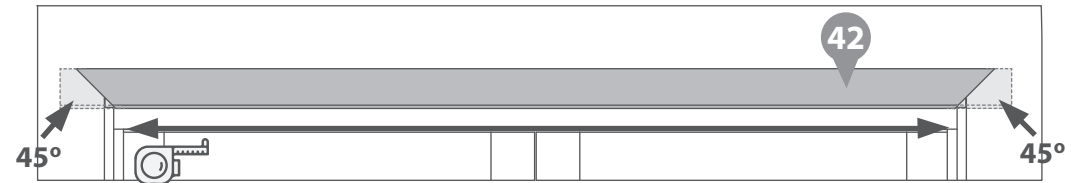
50mm screw



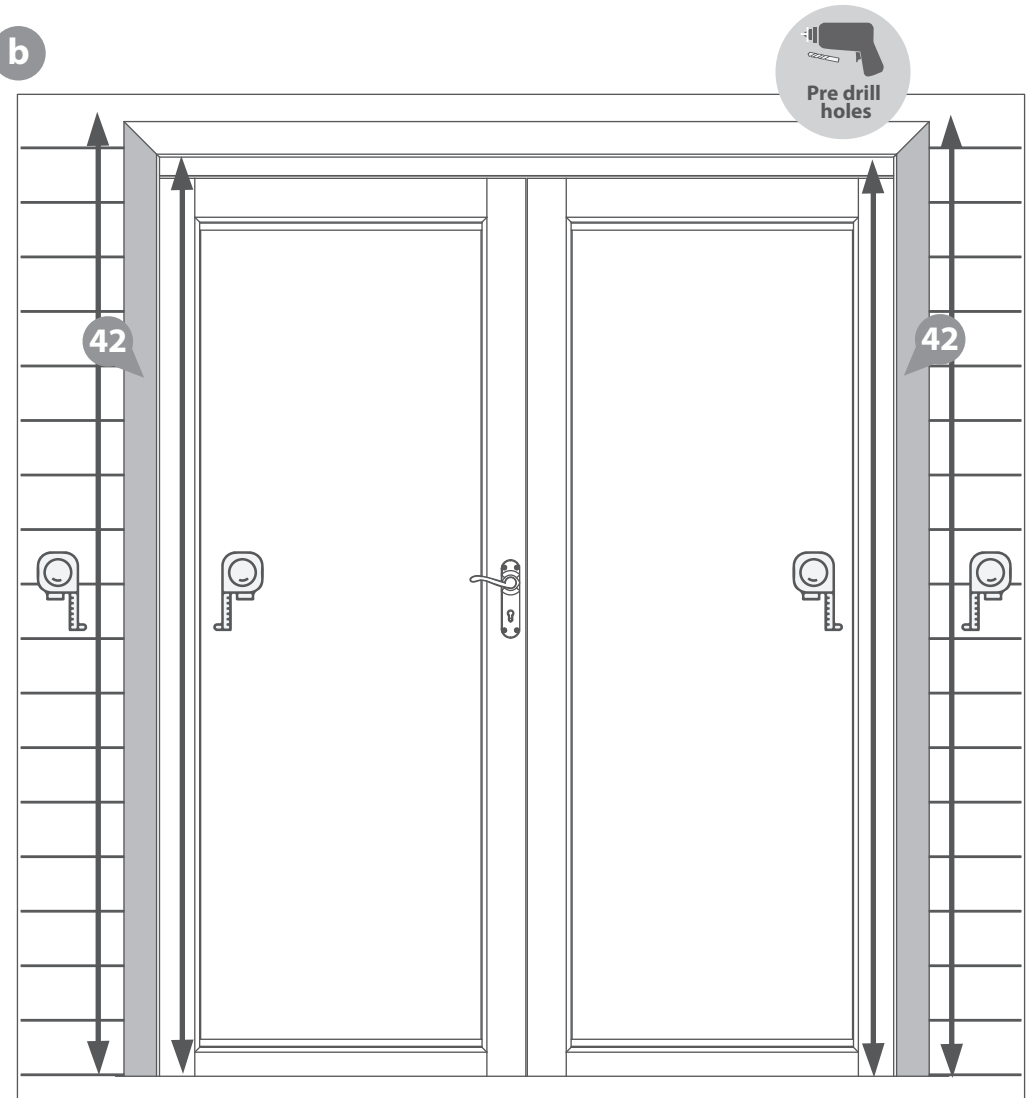
**NOTE:** Ensure the curved edge of the trim sits on the inside, closest to the door and window.

**a**

*\*Internal Views\**



**b**



## Step 40 *Internal Window architrave Installation.*

Parts Needed - No.42 QTY 4

**NOTE:** These trims are to be fitted internally.

PLEASE SCAN HERE:



- a** Cut a 45 degree angle into one end of a Curved trim (No.42).

From inside the building, measure the beading strips above the windows to get the internal length of the trims.

Use this measurement to mark up the 45 degree angle for the opposite end of the strip, working outwardly from the length measured. Cut the mirrored 45 degree angle in the opposite end of the trim at the measured length.

Secure the trims above the windows using 3x50mm screws, ensuring the corners line up with the corners of the beading strip.

- b** Measure from the skirting to the top and bottom edge of the trim above the Windows. Using these measurements, mark and cut a Curved trim (No.42) for either side of the window. Ensure the angled cuts are mirrored.

Secure the trims either side of the window using 3x50mm screws per trim. Repeat this method to measure, cut and fix trims across all windows, internally.

**18x50mm Screws**

**Important:** Pre-drill before fixing screws.



Saw.



Work bench.



Tape Measure.



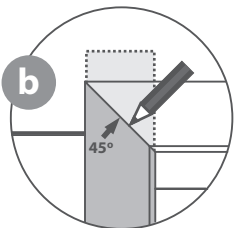
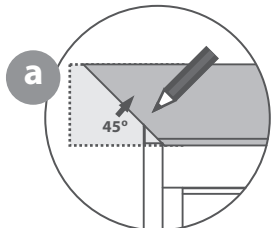
Clamps.



Drill / Pre drill.

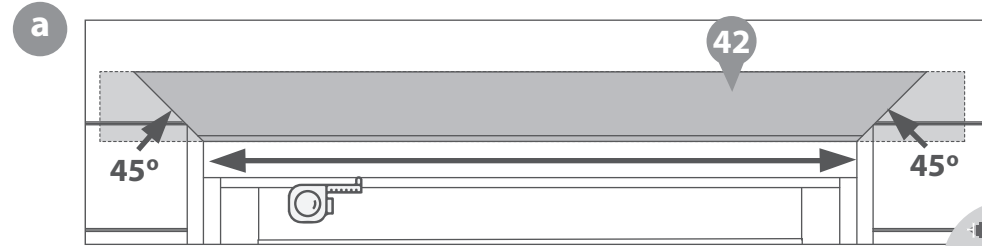


50mm screw

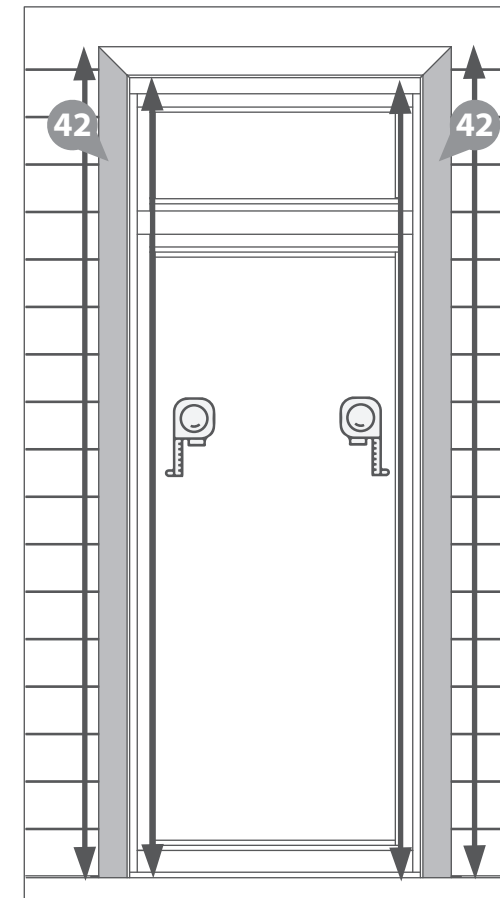


**NOTE:** Ensure the curved edge of the trim sits on the inside, closest to the door and window.

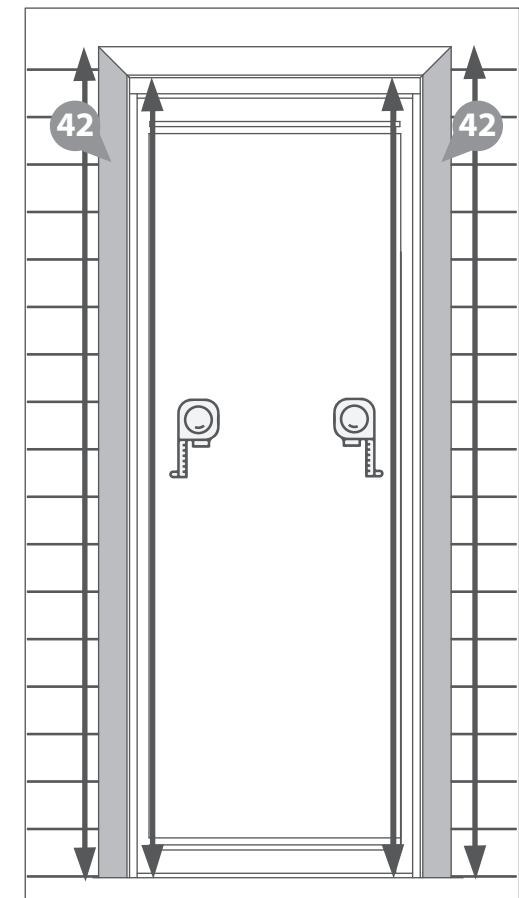
*\*Internal Views\**



**b** **OPENING WINDOW**



**FIXED WINDOW**



## Step 41 *Internal Panel joining trims Installation.*

Parts Needed - No.43 QTY 2  
No.44 QTY 3

**NOTE:** These trims are to be fitted internally.

PLEASE SCAN HERE:



**a** On the inside of the building at each internal panel join, measure the distance from the top of the skirting board to the roof.

Cut the full cover trims (**No.44**) to size and fix in place over each internal panels join using 3x50mm screws .

**b** At each corner, measure the distance from the top of the skirting board to the roof. Cut the half cover trims (**No.43**) to size and fix in place over each corner using 3x50mm screws.

**27x50mm Screws**

**Important:** Pre-drill before fixing screws.



Saw.



Work bench.



Tape Measure.



Clamps.

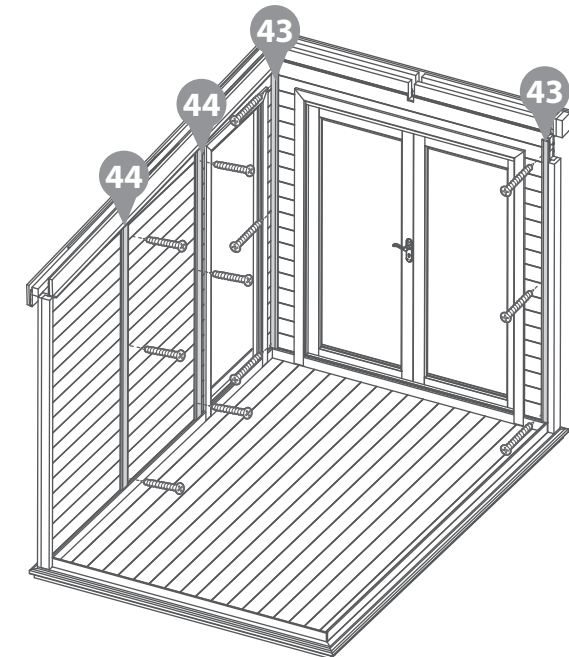
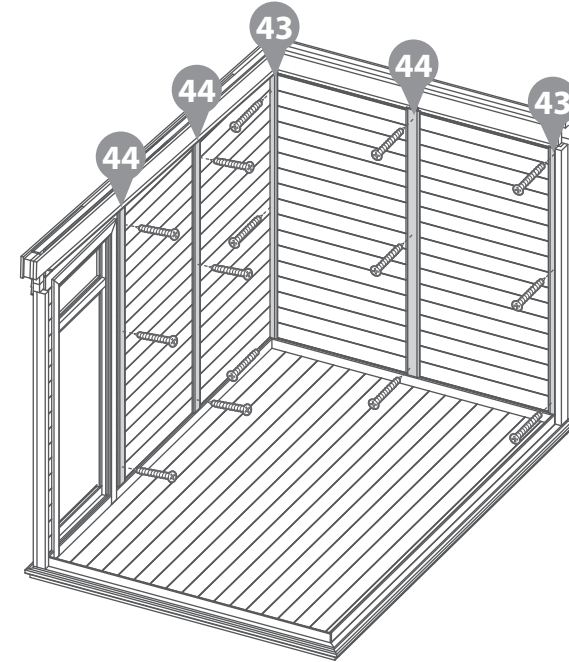


Drill / Pre drill.



50mm screw

*\*Internal Views\**



## Step 42 *Internal ceiling trims Installation.*

Parts Needed - No.43 QTY 1

**NOTE:** These trims are to be fitted internally.

PLEASE SCAN HERE:



On the inside of the building, measure each space between the roof purlins at the front and back of the building.

Cut the Half Cover Trims (**No.43**) to the measured lengths. Fix in place using 2x50mm screws per strip, ensuring the flat edge is flush to the wall.

**8x50mm Screws**

**Important:** Pre-drill before fixing screws.



Saw.



Work bench.



Tape Measure.



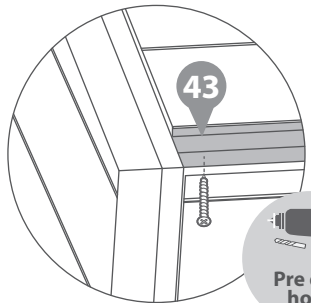
Clamps.



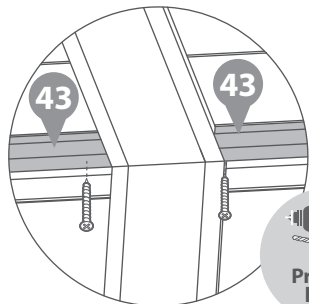
Drill / Pre drill.



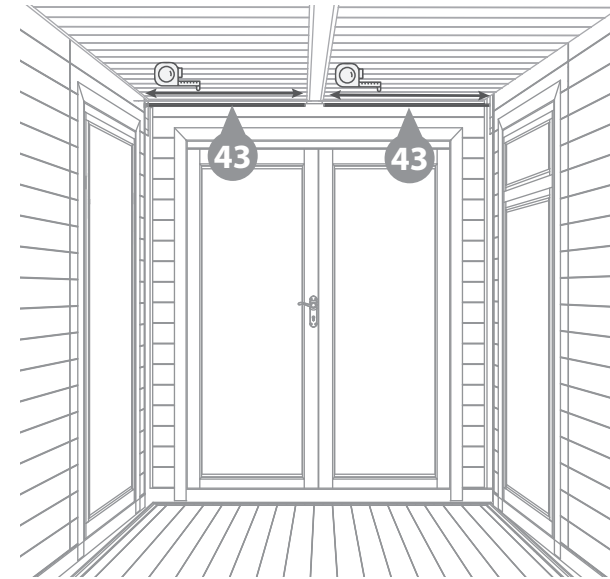
50mm screw



Pre drill holes



Pre drill holes



*\*Internal view of the front wall\**



*\*Internal view of the back wall\**

## Step 43 *External Roof trim Installation.*

### Parts Needed - No.44 QTY 1

On the outside of the building at the front, measure the distance from the inside of the left fascia to the inside of the right fascia, as shown.

Cut the Full Cover Trim (**No.44**) to the measured length. Locate the Cover trim onto the underside of the Roof front. Secure in place by screwing up through the strip into each purlin, using 2x50mm screws per purlin.

### 6x50mm Screws

**Important:** *Pre-drill before fixing screws.*



Saw.



Work bench.



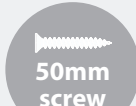
Tape Measure.



Clamps.

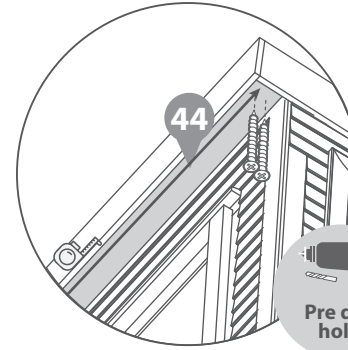


Drill / Pre drill.

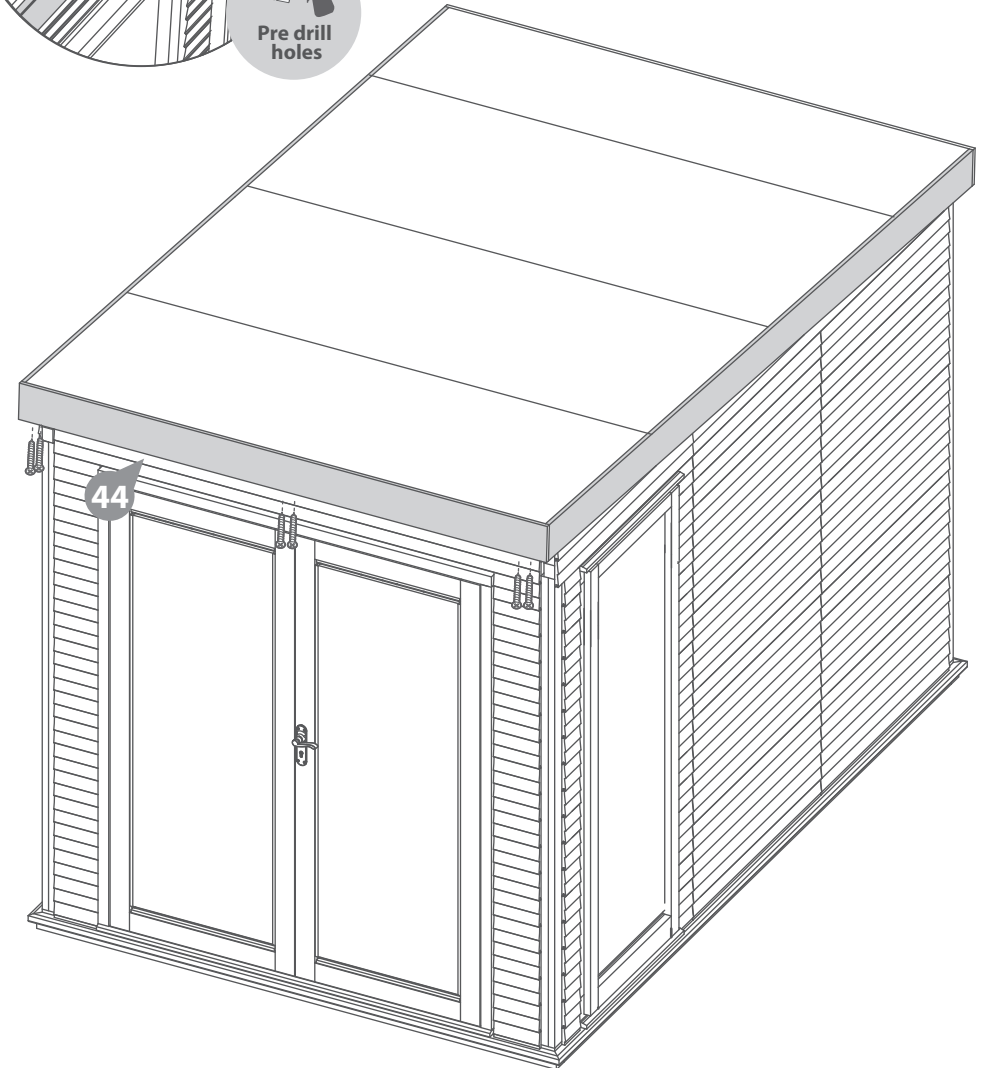


50mm screw

PLEASE SCAN HERE:



Pre drill holes



## Step 44 External Door architrave Installation.

Parts Needed - No.40 QTY 2

**NOTE:** These trims are to be fitted externally.

PLEASE SCAN HERE:



- a** Cut a 45 degree angle into one end of a Curved trim (No.40).

On the outside of the building, measure the distance between the external door frame to get the internal length of the trim.

Use this measurement to mark up the 45 degree angle for the opposite end of the strip, working outwardly from the length measured. Cut the mirrored 45 degree angle in the opposite end of the trim at the measured length.

Secure the trim above the door using 3x50mm screws, ensuring the corners line up with the corners of the frame.

- b** Measure from the Floor Cill to the top and bottom edge of the trim above the door. Using these measurements, mark and cut a Curved Strip (No.40) for either side of the door. Ensure the angled cuts are mirrored.

Secure the trims either side of the door using 3x50mm screws per trim.

### 9x50mm Screws

**Important:** Pre-drill before fixing screws.



Saw.



Work bench.



Tape Measure.



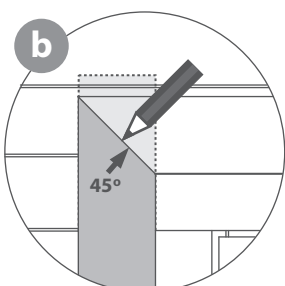
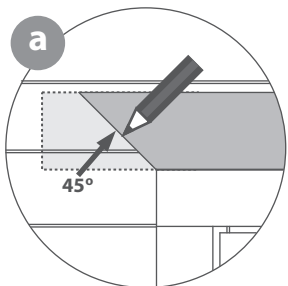
Clamps.



Drill / Pre drill.

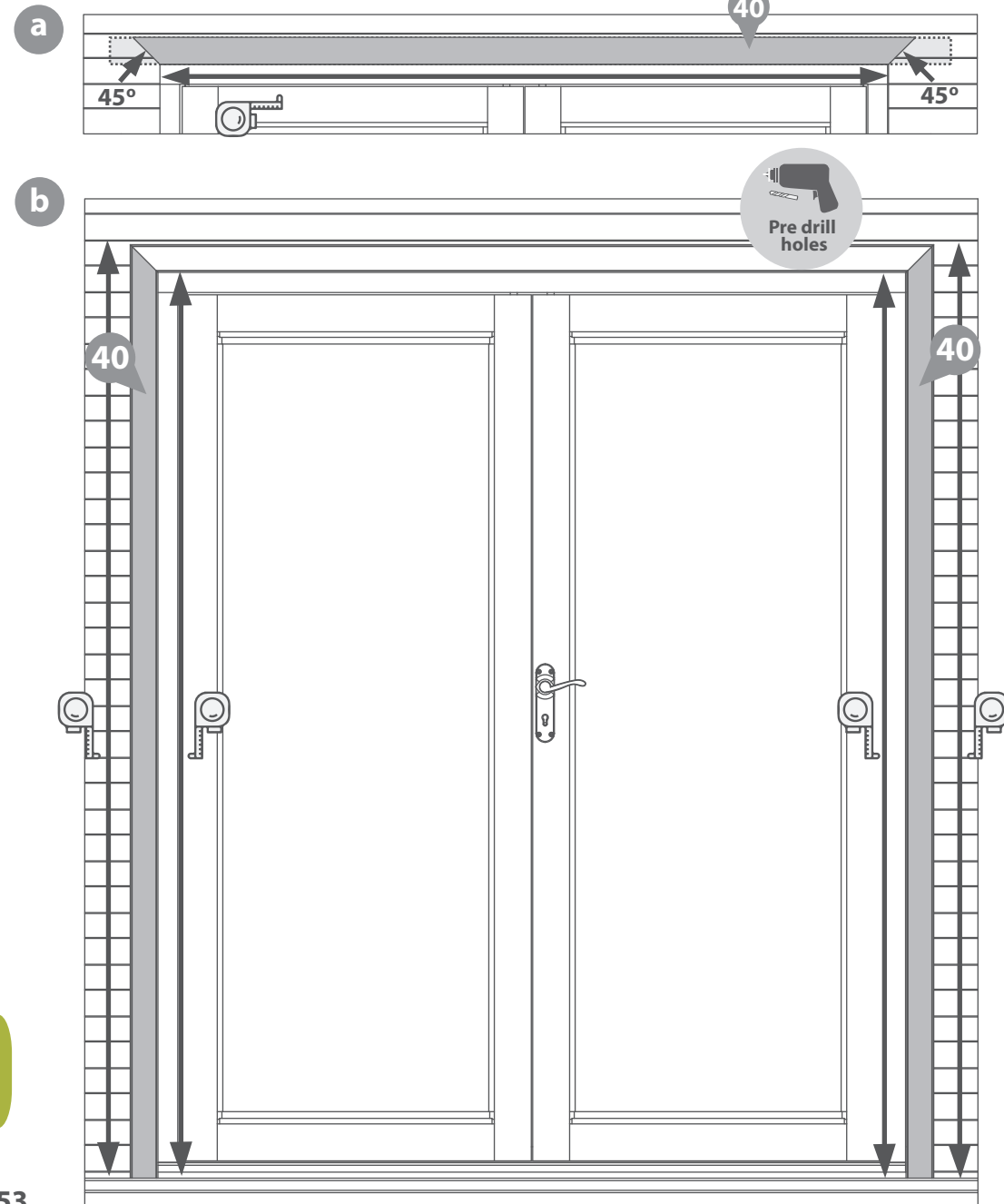


50mm screw



**NOTE:** Ensure the curved edges of the trim face outwards, and the flat face is flush to the building.

*\*External Views\**



## Step 45 External Window architrave Installation.

Parts Needed - No.40 QTY 4

**NOTE:** These trims are to be fitted externally.

PLEASE SCAN HERE:



- a** Cut a 45 degree angle into one end of a Curved trim (No.40).

On the outside of the building, measure the distance between the external window frame to get the internal length of the trim.

Use this measurement to mark up the 45 degree angle for the opposite end of the strip, working outwardly from the length measured. Cut the mirrored 45 degree angle in the opposite end of the trim at the measured length.

Secure the trim above the door using 3x50mm screws, ensuring the corners line up with the corners of the frame.

- b** Measure from the Floor Cill to the top and bottom edge of the trim above the door. Using these measurements, mark and cut a Curved trim (No.40) for either side of the window. Ensure the angled cuts are mirrored.

Secure the trims either side of the window using 3x50mm screws per trim. Repeat this method to measure, cut and fix trims across all windows.

### 18x50mm Screws

**Important:** Pre-drill before fixing screws.



Saw.



Work bench.



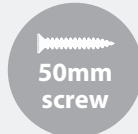
Tape Measure.



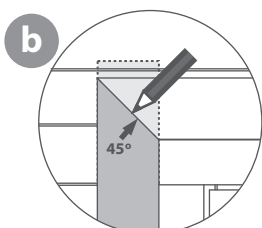
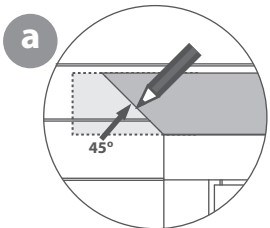
Clamps.



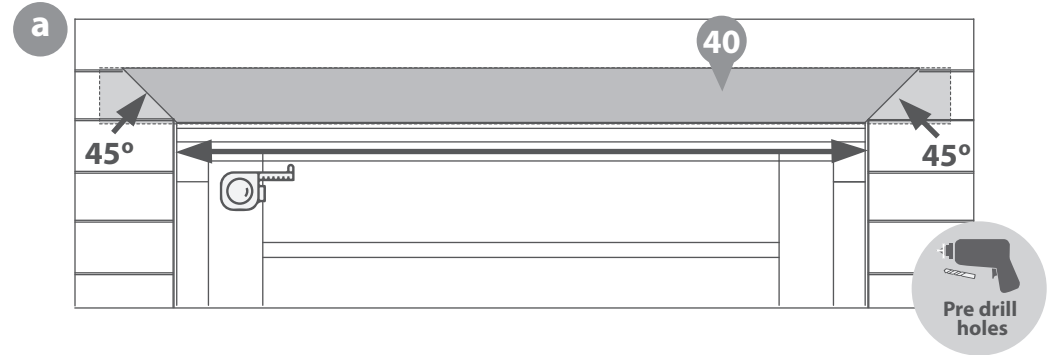
Drill / Pre drill.



50mm screw

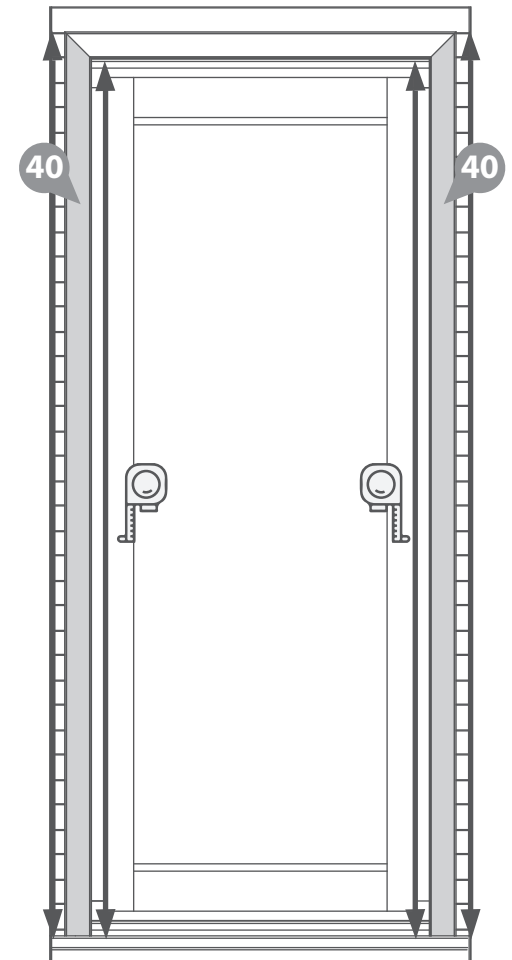
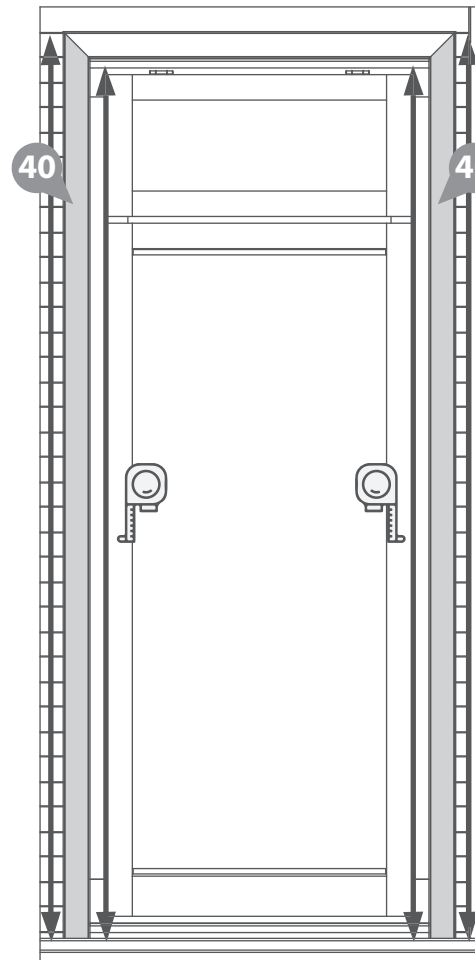


**NOTE:** Ensure the curved edges of the trim face outwards, and the flat face is flush to the building.



OPENING WINDOW

FIXED WINDOW



## Step 46 External Corner trims Installation.

Parts Needed - No.41 QTY 2  
No.42 QTY 2

PLEASE SCAN HERE:



- a** At the two front corners, measure from the Floor Cill to the top of the panel topers.

Cut the Curved Trims (**No.42**) to the measured lengths. Locate the trims onto the front of the corners as shown, and fix in place using 4x50mm screws per trim.

- b** Measure the adjacent sides of the front corners, from the Floor Cill to the underside of the gables.

Cut the Plain Corner Trims (**No.41**) to the measured lengths. Locate into the gaps and fix using 4x50mm screws per trim.

**NOTE:** A rubber mallet may be required to persuade the trim into position.

- c** At the two back corners, measure from the Floor Cill to the top of the back panels.

Cut the Plain Corner Trims (**No.41**) to the measured lengths. Locate the trims onto the back of the corners as shown, and fix in place using 4x50mm screws per trim.

- d** On the back of the building, measure the adjacent sides of the corners, from the Floor Cill to the underside of the gable.

Cut the Curved Trims (**No.42**) to the measured lengths. Locate into the gaps and fix using 4x50mm screws per trim.

**32x50mm Screws**

**Important:** Pre-drill before fixing screws.



Rubber Mallet.



Saw.



Work bench.



Tape Measure.



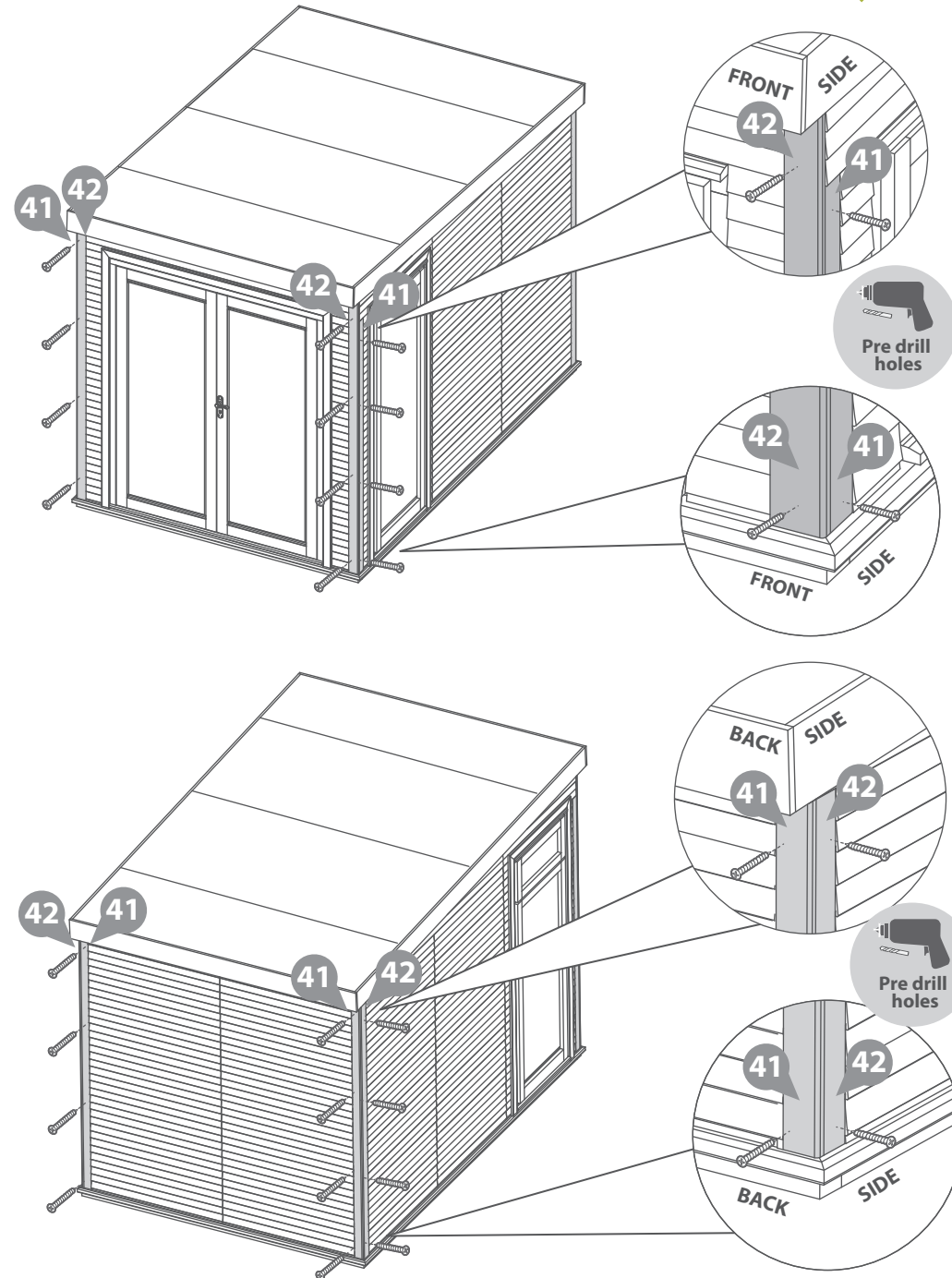
Clamps.



Drill / Pre drill.



50mm screw





## Step 47 *External Panel joining trims Installation.*

### Parts Needed - No.40 QTY 3

On the sides of the building, where the panels join, externally, measure the height between the Floor Cill and the Fascias.

On the front of the building, measure the height between the Floor Cill and Roof overhang cover.

At the back of the building, measure the height between the Floor Cill and Purlins.

Cut the Curved strips (**No.40**) to the measured lengths and position over the relevant joins. Secure in place using 4x50mm screws per strip.

### 20x50mm Screws

**Important:** Pre-drill before fixing screws.

PLEASE SCAN HERE:



Saw.



Work bench.



Tape Measure.



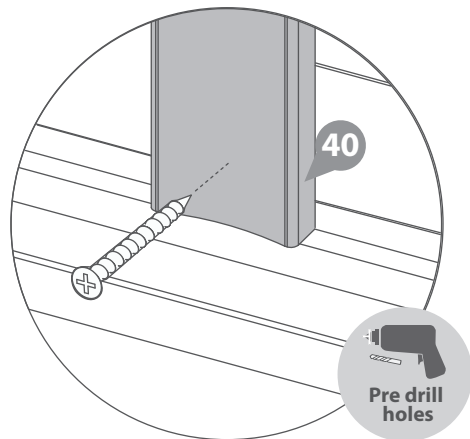
Clamps.



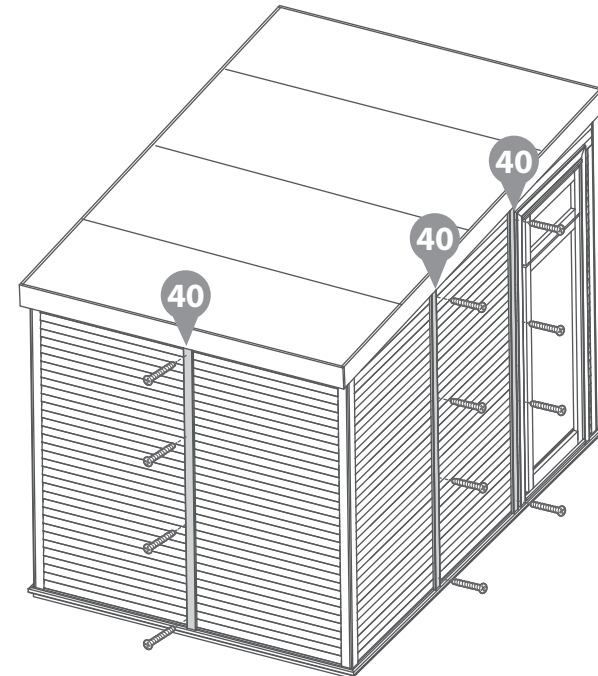
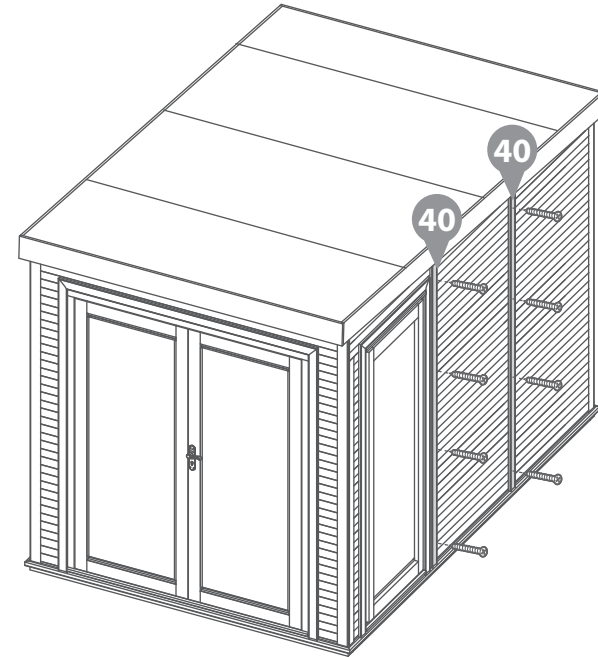
Drill / Pre drill.



50mm screw



Pre drill holes



## Step 48 *Treating your garden building.*

Once constructed, apply a preserving / waterproofing treatment to your garden building as soon as possible. This will help to protect your building and prevent decay.

See page 58 for a full guide and instructions.



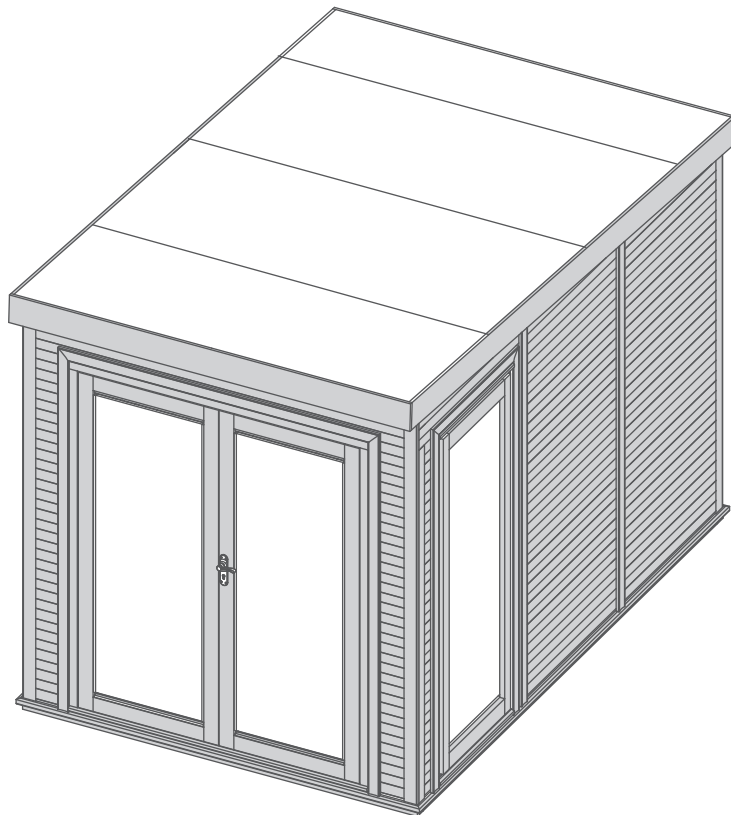
**Timber preservative treatment**



**Treatment mixing stick.**



**Paintbrush/sprayer/roller.**



## POST-ASSEMBLY CHECKLIST...

- Prepare your garden building for treatment. *(see page 58 for further information)*
- Apply a preserving and waterproofing treatment to your garden building within 14 days. *(see page 58 for further information)*
- Tidy the build area and dispose of any remaining parts responsibly.
- Maintain your garden building. *(see manufacturers recommendations on the back of this instructions pack.)*
- Register for your anti rot guarantee *(scan the QR below)*



REGISTER FOR YOUR  
**ANTI-ROT**  
GUARANTEE TODAY

PLEASE SCAN HERE:



CONTACT US ON  
01636 821215

# HOW TO TREAT YOUR NEW GARDEN BUILDING

## TREATING YOUR GARDEN BUILDING

Preservation of wood that's outdoors is vital. A little early care will help protect your garden building, improve its appearance and ensure maximum longevity. Insects, moisture, salt, and changing weather can have dramatic effects on the stability and appearance of your garden building. Once your building is installed, you've checked it over and you're happy with it, you can take a few basic precautions to prepare it for the elements. Treating your garden building helps prevent decay and, by repelling water, discourages the growth of moulds and fungi that could jeopardise the structural integrity of the wood.

**Log Cabins / Insulated Garden Rooms** - Are supplied untreated and require a preservative and waterproofing treatment

 **ANY QUESTIONS?** CONTACT US ON 01636 821215

## TREATING YOUR GARDEN BUILDING

To apply a preservative/treatment, follow the manufacturer's instructions but in principle, stick to the following steps:

- ✓ Wear latex or rubber gloves, eye protection and (if spraying) a mask.
- ✓ Prepare the wood, by sanding down any ridges or inconsistencies in the wood, smoothing out knots and end-cuts.
- ✓ Choose a dry day to treat your garden building. If you're spraying rather than brushing paint on, avoid a windy day.
- ✓ Be sure you can safely reach all the sections you need to paint - and if you need a ladder, make sure it's safely positioned before climbing. Lay dust sheets around to avoid paint splatters on your base or surrounding plants.
- ✓ Tape around windowpanes to avoid smears when you're painting the frames.
- ✓ Keep pets and small children out of the way. The last thing you want is to have fur on your garden building paint, or little painted footprints all over your garden and home.
- ✓ Fill any gaps in the building's body with caulk or wood filler to prevent water and draughts getting in. Silicone based caulk is flexible and will move with the timber when temperature and humidity change. Allow to dry completely before treating. A handy tip for finding gaps is to go into your garden building and look for light leaking through joins and frames. If light gets in, then so will water.
- ✓ Liberally apply at least two coats of the treatment with a brush or spray, taking care to allow the first coat to completely dry before applying the second.
- ✓ Make sure the solution permeates the whole of the surface area, especially around natural cracks, end cuts and nail/screw holes.



APPLY WOOD TREATMENT  
**IMMEDIATELY**  
AFTER ASSEMBLY

PLEASE SCAN HERE TO  
SEE TREATMENT VIDEO:





## **I HAVE CHECKED MY ORDER UPON DELIVERY AND I HAVE MISSING/ DAMAGED PARTS, HOW DO I OBTAIN REPLACEMENTS?**

If you are missing parts from your order or if the building has been delivered with any damages we will arrange replacement parts to be sent out as soon as possible. We will be in touch with regular updates throughout this process.

## **WHAT ACCESS IS NEEDED FOR MY DELIVERY?**

All deliveries are classed as 'kerbside' deliveries, usually to the front of the property. The drivers will not, due to Health & Safety and Insurance restrictions, take your order through your home. A driver may offer to take the order into the rear garden but this will be at his discretion.

## **DOES MY NEW INSULATED GARDEN ROOM COME WITH ANY GUARANTEES?**

As standard, this Insulated Garden Room includes a 1 year Manufacturers Guarantee, as well as a 10 year Anti-rot Guarantee

## **DOES MY NEW INSULATED GARDEN ROOM REQUIRE PLANNING PERMISSION?**

We work hard to design all of our garden rooms to adhere to the planning permission guidelines. However, we cannot guarantee that planning permission will not be required. Therefore, before constructing your garden building we advise checking with your local authorities.

## **WHAT DOES MY 10 YEAR ANTI-ROT GUARANTEE COVER?**

Our entire range of Insulated Garden Rooms benefit from our 10 Year Anti-rot guarantee. This will cover your garden building against fungal decay as long as the conditions of the guarantee have been followed.

These Conditions include treating your new garden building with a high quality timber preservative and waterproof top coat. Treatments of this sort should be applied as soon as your garden building has been constructed and reapplied annually thereafter. This will enable you to maintain your 20 Year Anti-rot Guarantee and will keep your insulated garden room in tip-top condition!

Please note that our 10 Year Anti-rot Guarantee does not cover your garden building from the movement of timber that takes place over time. This includes; the twisting, warping and splitting of timber.

For more information on our 10 Year Anti-rot Guarantee please refer to our Terms and Conditions.

## **WHAT BASE DO I REQUIRE FOR MY NEW INSULATED GARDEN ROOM?**

A flat, level base is essential for the Insulated garden Building. We recommend the following bases; concrete or a wooden frame.

Prior to the installation of your Insulated Garden Building be sure to check your base is level in both directions. If the base of your Insulated Garden Room is not level when it is constructed it will cause the building to twist and warp with the natural movement of the timber. Therefore it is really important to adjust your base accordingly to achieve this before the installation process begins.



## MANUFACTURERS WARRANTY

All Mercia Garden Products are supplied with a 1 year warranty on all parts against manufacturing defects.

This warranty does not cover movement, warping or splitting of timber products over time. This warranty will be voided if any of the following occur:

- 1 The building has been customised or modified/adapted in any way.
- 2 The person claiming is not the original purchaser of the building.
- 3 Any damage has been caused by or as a result of misuse.
- 4 The building has not been maintained and cared for in accordance to our advisories and manufacturer's recommendations.
- 5 The building has not been treated annually or as per the manufacturer's recommendations, please ensure receipts are kept to validate this claim.
- 6 The building has not been erected, fitted or installed as per the supplier instructions.
- 7 The building has not been erected on a suitable sized firm flat, solid level concrete/slab base or placed on pressure treated bearers.
- 8 The building is or has been placed with 2 feet (60cm) of any obstructions (walls, trees, plants, fences etc.) which can allow moisture to penetrate the timber.

- 9 The roofing felt has been incorrectly fitted or damaged allowing water ingress, or not properly maintained.
- 10 Any windows and joints have not been sealed, inside and out, with silicone or other watertight sealant.
- 11 Any timber has been cut, pierced or drilled without subsequent application of approved cut-end treatment.

# ANTI-ROT GUARANTEE

## ANTI-ROT GUARANTEE

Mercia Garden Products offer a 10 year anti-rot guarantee on all dip treated (a preparatory treatment) and 15 years on all pressure treated products. This guarantee covers solid timber against rot, decay, blue stain and insect attack. To validate the guarantee the building must be treated with a recognised wood preserver/water proof top coat (as detailed within manufacturer's recommendations) as soon as possible after assembly and annually thereafter. This guarantee does not cover movement, warping or splitting of timber products over time. This warranty will be voided if any of the following occur:

- 1 The building has been customised or modified/adapted in any way.
- 2 The person claiming is not the original purchaser of the building.
- 3 Any damage has been caused by or as a result of misuse.
- 4 The building has not been maintained and cared for in accordance to our advisories and manufacturer's recommendations.
- 5 The building has not been treated annually or as per the manufacturer's recommendations, please ensure receipts are kept to validate this claim.
- 6 The building has not been erected, fitted or installed as per the supplier instructions.
- 7 The building has not been erected on a suitable sized firm flat, solid level concrete/slab base or placed on pressure treated bearers.

- 8 The building is or has been placed with 2 feet (60cm) of any obstructions (walls, trees, plants, fences etc.) which can allow moisture to penetrate the timber.
- 9 The roofing felt has been incorrectly fitted or damaged allowing water ingress, or not properly maintained.
- 10 Any windows and joints have not been sealed, inside and out, with silicone or other watertight sealant.
- 11 Any timber has been cut, pierced or drilled without subsequent application of approved cut-end treatment.



REGISTER FOR YOUR  
**ANTI-ROT**  
GUARANTEE TODAY

PLEASE SCAN HERE:



# CONTACT US

## OUR CONTACT DETAILS

---

If you require any further support or advice for your new garden building our customer service team will be happy to help. Or alternatively, you can take a look at our website where you can find plenty of handy resources and helpful information.

 **01636 821215**

 **customerservice@merciagp.co.uk**

 **<https://www.mgplogistics.co.uk/>**

 **[www.merciagardenproducts.co.uk](http://www.merciagardenproducts.co.uk)**