

04DTSTRDAX0406HGS-V1

DIP TREATED STANDARD APEX GREENHOUSE, 4X6.

BEFORE YOU START PLEASE READ INSTRUCTIONS CAREFULLY

- Check the pack and make sure you have all the items listed in the parts list provided.
- When you are ready to start, make sure you have the right tools at hand (not supplied - see the equipment list on next page).
- Ensure there is plenty of space and a clean dry area for assembly.
- Ensure you have enough time to build the product to ensure the building is water tight.

LOCATION FOR YOUR GARDEN BUILDING

A minimum of 600mm should be left around the perimeter of your garden building to allow access for maintenance, annual treatment and to allow air flow around the building.

Where possible you should avoid placing your garden building underneath large trees to prevent the tree causing damage to the building.

TIMBER

As with all natural materials, timber can be affected during various weather conditions. For the duration of heavy or extended periods of rain, swelling of the wood panels may occur. Warping of the wood may also occur during excessive dry spells due to an interior moisture loss. Unfortunately, these processes cannot be avoided but can be helped. It is suggested that the outdoor building is sprayed with water during extended periods of warm sunshine and sheltered as much as possible during rain or snow.

Once your garden building has been installed it will need to be treated within 14 days (weather permitting) and annually to prevent the timber from deteriorating and to waterproof it. This is required to maintain the anti-rot guarantee.

Dip Treated buildings - Require a preservative treatment to protect against rot and decay and a waterproof treatment to prevent water ingress

Pressure Treated buildings - Require a waterproof treatment to prevent water ingress

Log Cabins/Insulated Garden Rooms - Are supplied untreated and require a preservative and waterproofing treatment.

BUILDING A BASE

When thinking about where the building and where the base is going to be constructed: Ensure that there will be access to all sides for maintenance work and annual treatment.

Ensure the base is level and is built on firm ground, to prevent distortion. Refer to diagrams for the base dimensions, The base should be slightly smaller than the external measurement of the building, i.e. The cladding should overlap the base, creating a run off for water. It is also recommended that the floor be at least 25mm above the surrounding ground level to avoid flooding.

TYPES OF BASE

- Concrete 75mm laid on top of 75mm hard-core.
- Slabs laid on 50mm of sharp sand.
- Wooden base.

Whilst all products manufactured are made to the highest standards of safety and in the case of children's products independently tested to EN71 level, we cannot accept responsibility for your safety whilst erecting or using this product.

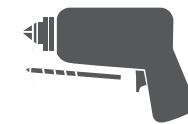


x2

All buildings should be erected by two adults



Winter = High Moisture = Expansion
Summer = Low Moisture = Contraction



2mm Drill bit

For ease of assembly, you **MUST** pilot drill all screw holes and ensure all screw heads are countersunk.



CAUTION

Every effort has been made during the manufacturing process to eliminate the prospect of splinters on rough surfaces of the timber. You are strongly advised to wear gloves when working with or handling rough sawn timber.



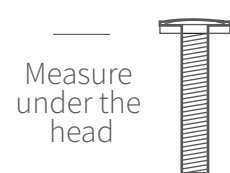
For ease of assembly, you will need a tape measure to check dimensions of components.

Screws & Nails



Measure overall length

Bolts



Measure under the head

To identify the fixings required for each step use a measuring tape.

Protim Aquatan T5 (621)

Your building has been dip treated with Aquatan.

Aquatan is a water-based concentrate which is diluted with water, the building as been treated by the correct application of Aquatan solution and then allowed to dry.

Aquatan is a decorative finish to colour the wood, which is applied industrially to timber fence panels and garden buildings.

Aquatan undiluted contains: boric acid, sodium hydroxide 32% solution, aqueous mixture of sodium dioctyl sulphosuccinat and alcohols: 2, 4, 6-trichlorophenol.



REGISTER FOR YOUR
ANTI-ROT
GUARANTEE TODAY

PLEASE SCAN HERE:



In all instances for assistance with your product, please contact customer care on :
01636 821215 or customerservice@merciagp.co.uk

Mercia Garden Products Limited,
Sutton On Trent,
Newark,
Nottinghamshire,
NG23 6QN

TO DO LIST

- Find a suitable location to build *(see front cover for further information).*
- Build a base *(see front cover for further information).*
- Check the base is flat, level, clear of debris and has 60cm clearance on all sides.
- Check you have the required equipment.
- Check you have all the product items listed *(if you have missing or damaged parts please contact the customer services department, see front cover for contact details).*
- Install the product as per the step by step instructions within this pack.
- Prepare the product ready for treatment.
- Apply a preserving and a waterproofing treatment within 14 days *(weather permitting)* of installation *(pressure treated products do not require a preserver).*
- Register for your anti rot guarantee *(scan the QR below).*
- Tidy the build area and dispose of any remaining parts responsibly.
- Maintain your building *(see the manufacturers recommendations at the back of this pack).*

EQUIPMENT LIST

- Hammer
- Flat Head Screwdriver
- Drill
- Drill Bit Set
- Phillips and Slotted Bit Sets
- Tape Measure
- Hand Saw
- Spirit Level
- Ladders/Steps
- Stanley Knife/Cutting Tool
- Sand Paper
- Gloves
- Silicone (For Windows Only)
- Wood Filler (Optional)
- Timber Preservative Treatment *(not pressure treated products)*
- Timber Water Proofing Treatment
- Treatment Mixing Stick
- Paint Brush/Sprayer/Roller

NEED EXTRA SUPPORT

If you are unsure that your base preparation will be suitable, please contact us on 01636 821215 to discuss this further.

Alternatively, you can visit our website or MGP Logistics Online Portal for some further shededucation.

Website:

<https://www.merciagardenproducts.co.uk/sheducation>

MGP Logistics Online Portal:

<https://www.mgplogistics.co.uk/>

Here you will find plenty of useful information that'll help with most pre-installation and maintenance queries.

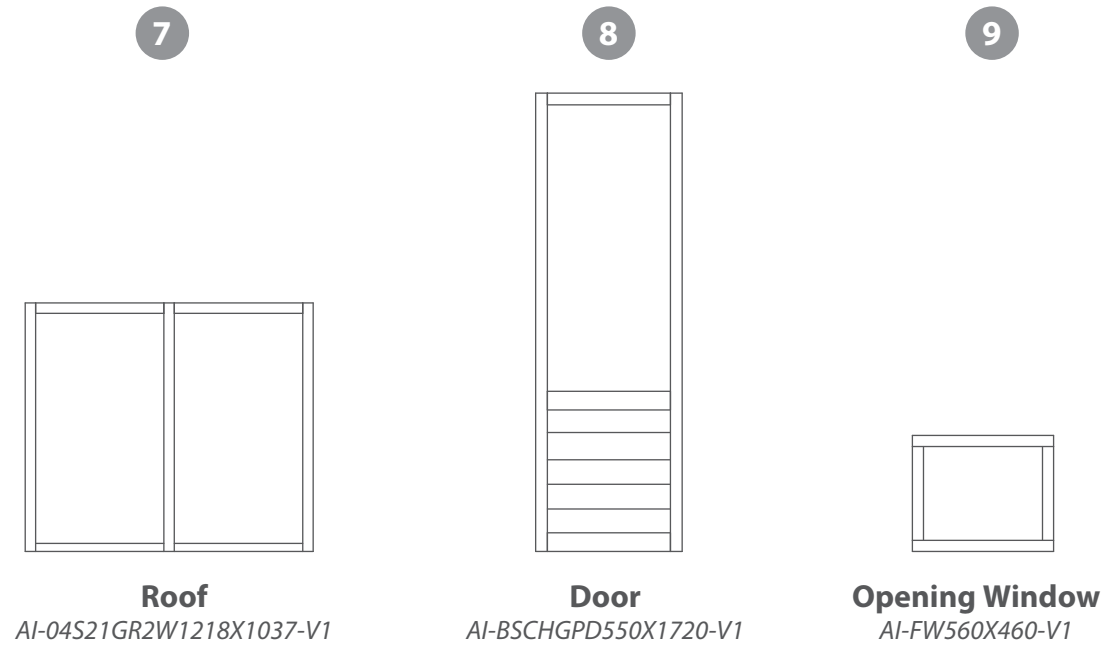
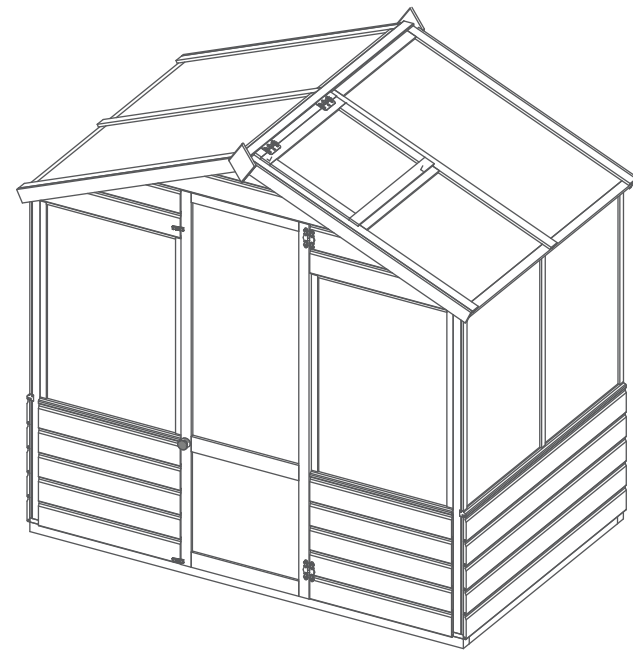


ANY QUESTIONS?
CONTACT US ON
01636 821215

NOTES

Overall Dimensions:
 Width = 1215mm
 Depth = 1887mm
 Height = 2066mm

Base Dimensions:
 Width = 1191mm
 Depth = 1862mm



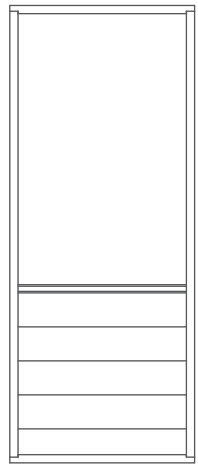
7 Roof
 AI-04S21GR2W1218X1037-V1

8 Door
 AI-BSCHGPD550X1720-V1

9 Opening Window
 AI-FW560X460-V1

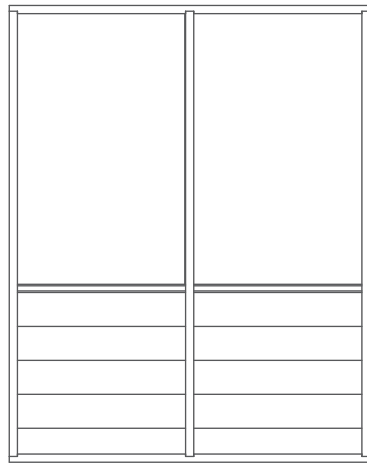
Contents:

1



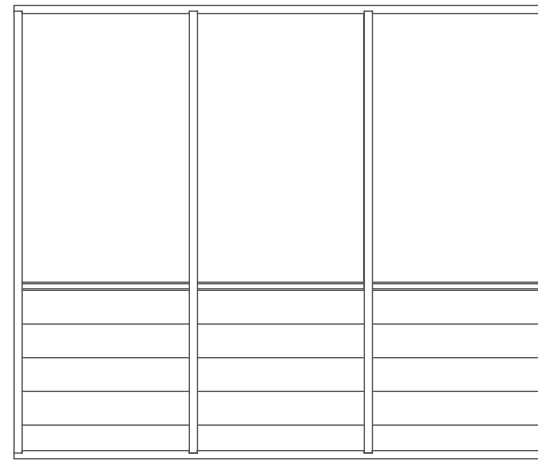
Door Side QTY 2
 AI-04S21PCGP1W610X1543-V1

2



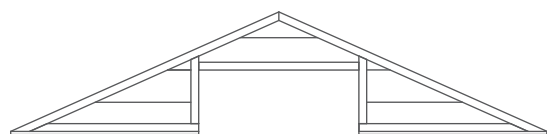
Small Window Side QTY 2
 AI-04S21PCGP2W1193X1543-V1

3



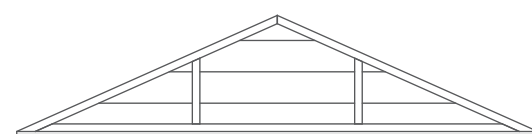
Large Window Side
 AI-04S21PCGP3W1776X1543-V1

4



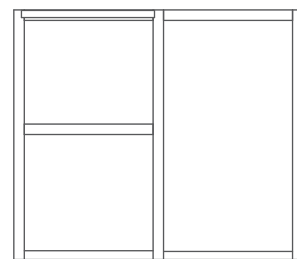
Door Gable Top
 AI-S21SHASDGT1864X425-V1

5



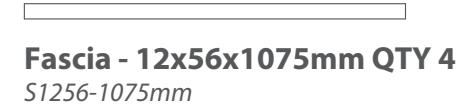
Plain Gable Top
 AI-S21SHAGT1864X425-V1

6



Roof (Opening Window)
 AI-04S21GROPW3W1218X1037-V1

10



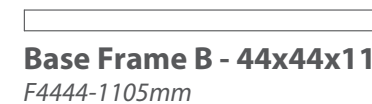
Fascia - 12x56x1075mm QTY 4
 S1256-1075mm

11



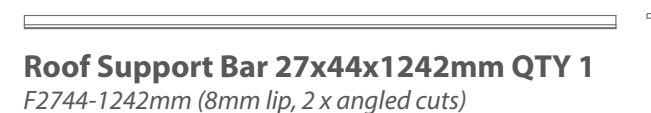
Base Frame A - 44x44x1864mm QTY 2
 F4444-1864mm

12



Base Frame B - 44x44x1105mm QTY 2
 F4444-1105mm

13



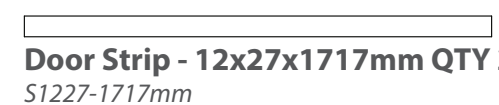
Roof Support Bar 27x44x1242mm QTY 1
 F2744-1242mm (8mm lip, 2 x angled cuts)

14



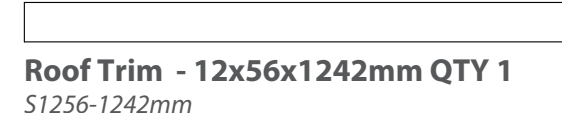
Door Frame - 27x44x556mm QTY 1
 F2744-556mm

15



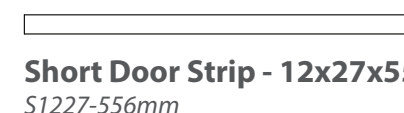
Door Strip - 12x27x1717mm QTY 2
 S1227-1717mm

16



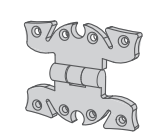
Roof Trim - 12x56x1242mm QTY 1
 S1256-1242mm

17



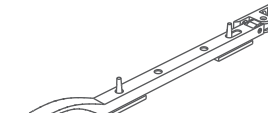
Short Door Strip - 12x27x556mm QTY 1
 S1227-556mm

18



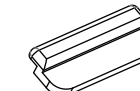
Butterfly Hinges QTY 4
 PI-07-0004

19



Window Casement Stay QTY 1
 PI-07-0008

20



Window Glazing Bead QTY 8
 PI-07-0063

21



Finial QTY 2
 SHED DIAMOND FINIAL

22




Door Knob QTY 1
 PI-04-0024

23



Turn Button QTY 2
 PI-07-0182


24  **Window Strip - 12x27x926mm QTY 14**
S1227-926mm

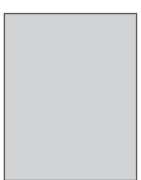
25  **Window Strip - 12x27x1776mm QTY 1**
S1227-1776mm

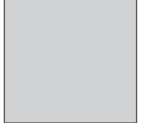
26  **Window Strip - 12x27x1193mm QTY 2**
S1227-1193mm

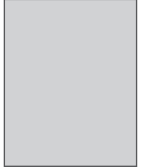
27  **Window Strip - 12x27x610mm QTY 2**
S1227-610mm


28  **Strip - 12x44x543mm QTY 1**
S1244-543mm

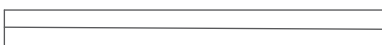
29  **Strip - 12x44x993mm QTY 6**
S1244-993mm

30  **Styrene 942x570x2mm QTY 9**
PI-05-0151

31  **Styrene 503x570mm QTY 1**
PI-05-0158

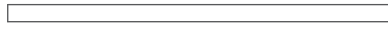
32  **Styrene 985x570mm QTY 3**
PI-05-0157

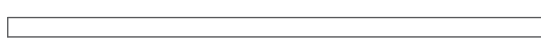
33  **Strip - 12x44x1218mm QTY 2**
S1244-1218mm

34  **Window Cill 610mm QTY 2**
PI-08-0021

35  **Window Cill 1193mm QTY 2**
PI-08-0019

36  **Window Cill 1776mm QTY 1**
PI-08-0020

37  **Strip - 12x21x560mm QTY 1**
S1221-560mm

38  **Corner Trims - 12x56x1576mm QTY 4**
S1256-1576mm

Nail Bag

There may be extra screws present in the nail bag



This greenhouse can be assembled along side the 4x6 apex shed (01DTSHAX0406SDFW-V1)

If you have purchased both these buildings, please follow the greenhouse assembly instructions from Step 1a on Page 13.

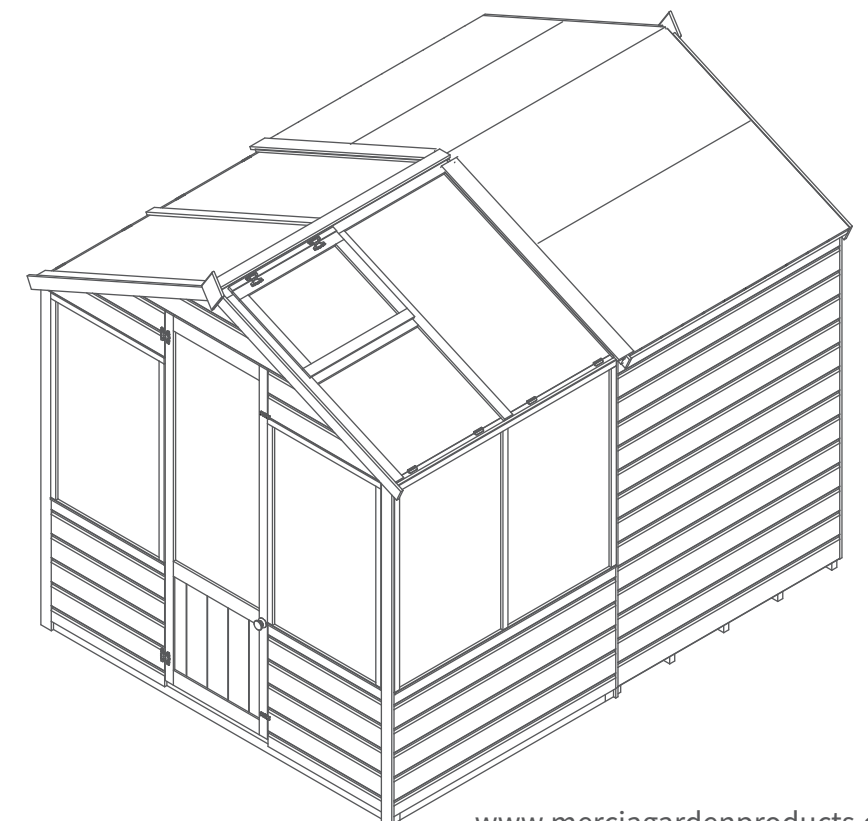
8x6 Greenhouse with shed

Overall Dimensions:

Width = 1972mm
Depth = 2447mm
Height = 2039mm

Base Dimensions:

Width: 1860mm
Depth: 2397mm

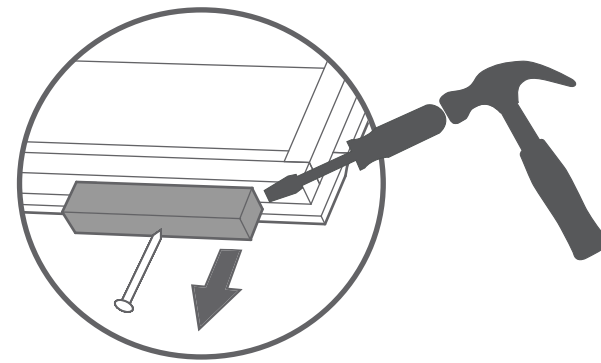


Pre Assembly

Before assembling remove the transportation blocks from the bottom of each panel.

Take care removing the blocks as to not damage the panels. Tap with a flat headed screwdriver and hammer.

Dispose of the blocks once removed.



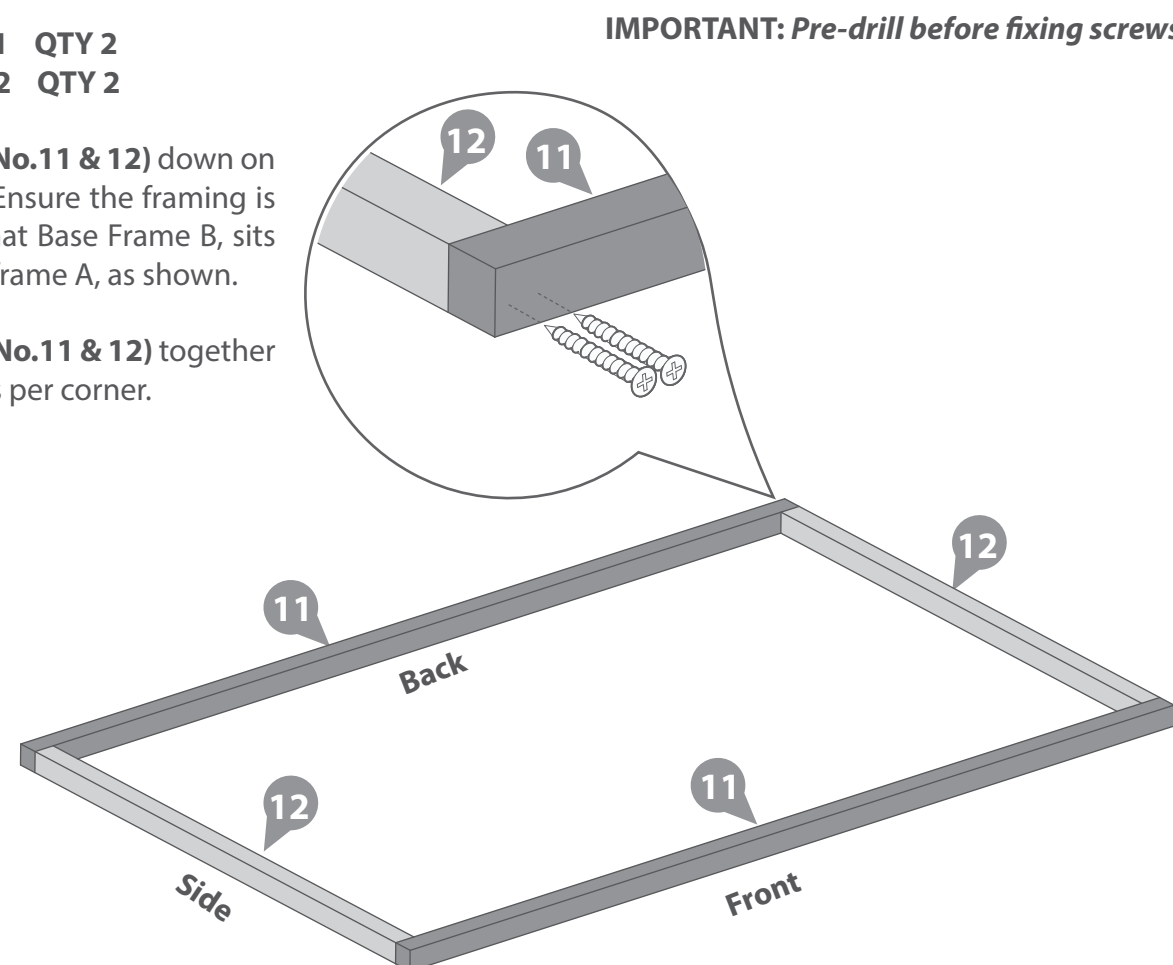
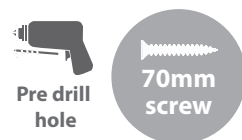
Step 1

Parts needed - No. 11 QTY 2
No. 12 QTY 2

Lay the Base Frames (No.11 & 12) down on a flat and level base. Ensure the framing is flush and level and that Base Frame B, sits on the inside of Base frame A, as shown.

Fix the base framing (No.11 & 12) together using 2x70mm screws per corner.

8x70mm screws.



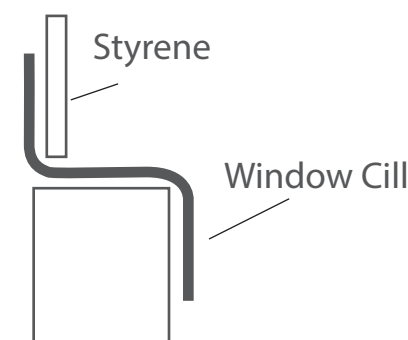
IMPORTANT: Pre-drill before fixing screws.

Step 2

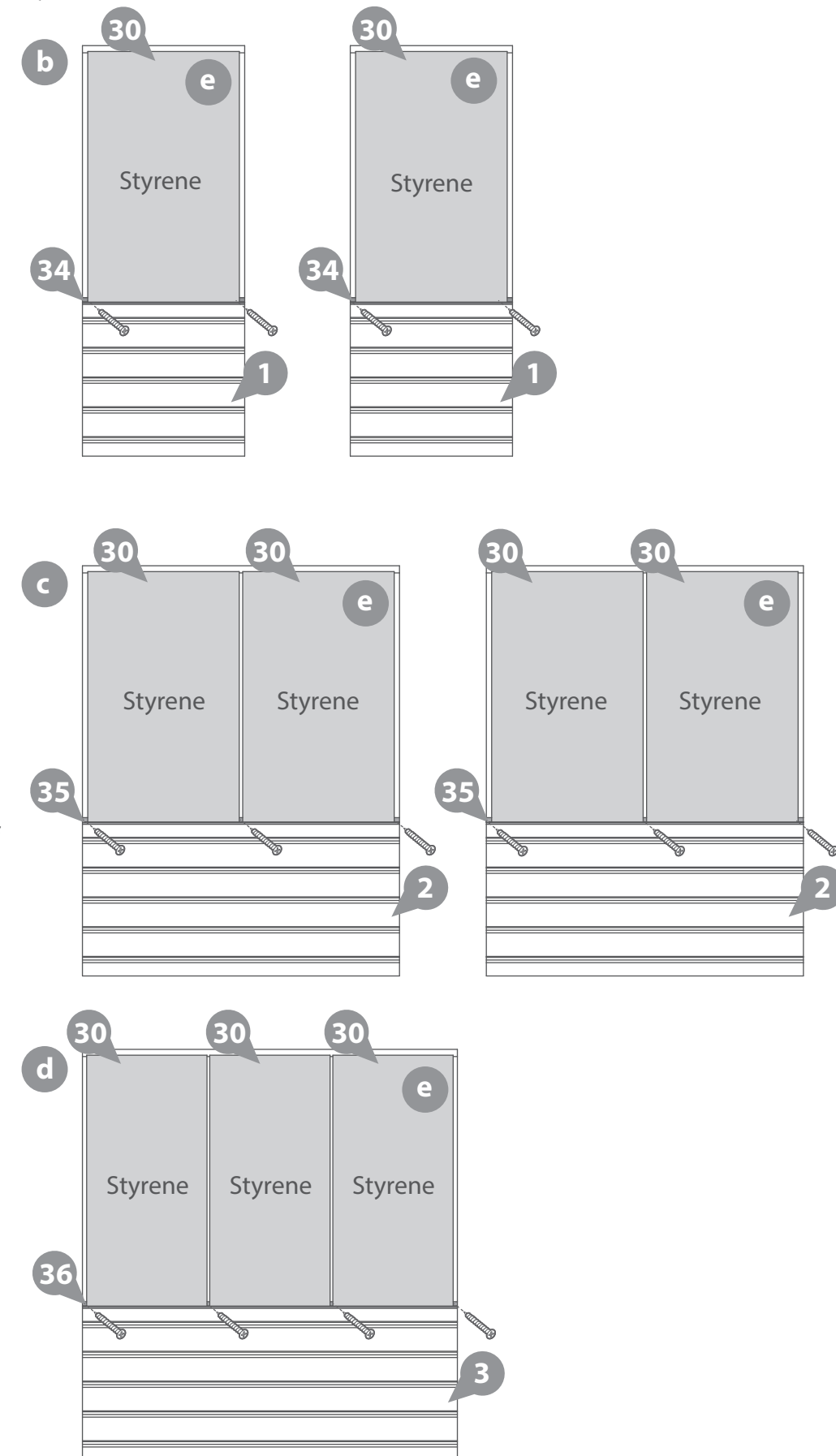
Parts needed - No. 1 QTY 2 No. 34 QTY 2
No. 2 QTY 2 No. 35 QTY 2
No. 3 QTY 1 No. 36 QTY 1
No. 30 QTY 9

- Lay the Door Sides (No.1), Small Window Sides (No.2) and Large Window Side (No.3) down on a flat and level base.
- Place the Window Cills 610mm (No.34) onto the lip of the external window opening of the Door sides (No.1). Secure the Cill to the framing using 3x30mm screws.
- Place the Window Cills 1193mm (No.35) onto the lip of the external window opening of the Small Window Sides (No.1). Secure the Cill to the framing using 3x30mm screws.
- Place the Window Cill 1776mm (No.36) onto the lip of the external window opening of the Large Window Sides (No.3). Secure the Cill to the framing using 4x30mm screws.
- Place the styrene (No.30) on top of the cills, ensuring there is equal spacing on all sides, as shown.

14x30mm screws.



IMPORTANT: Pre-drill before fixing screws.



Step 3

Parts needed - No. 24 QTY 14
No. 25 QTY 1
No. 26 QTY 2
No. 27 QTY 2

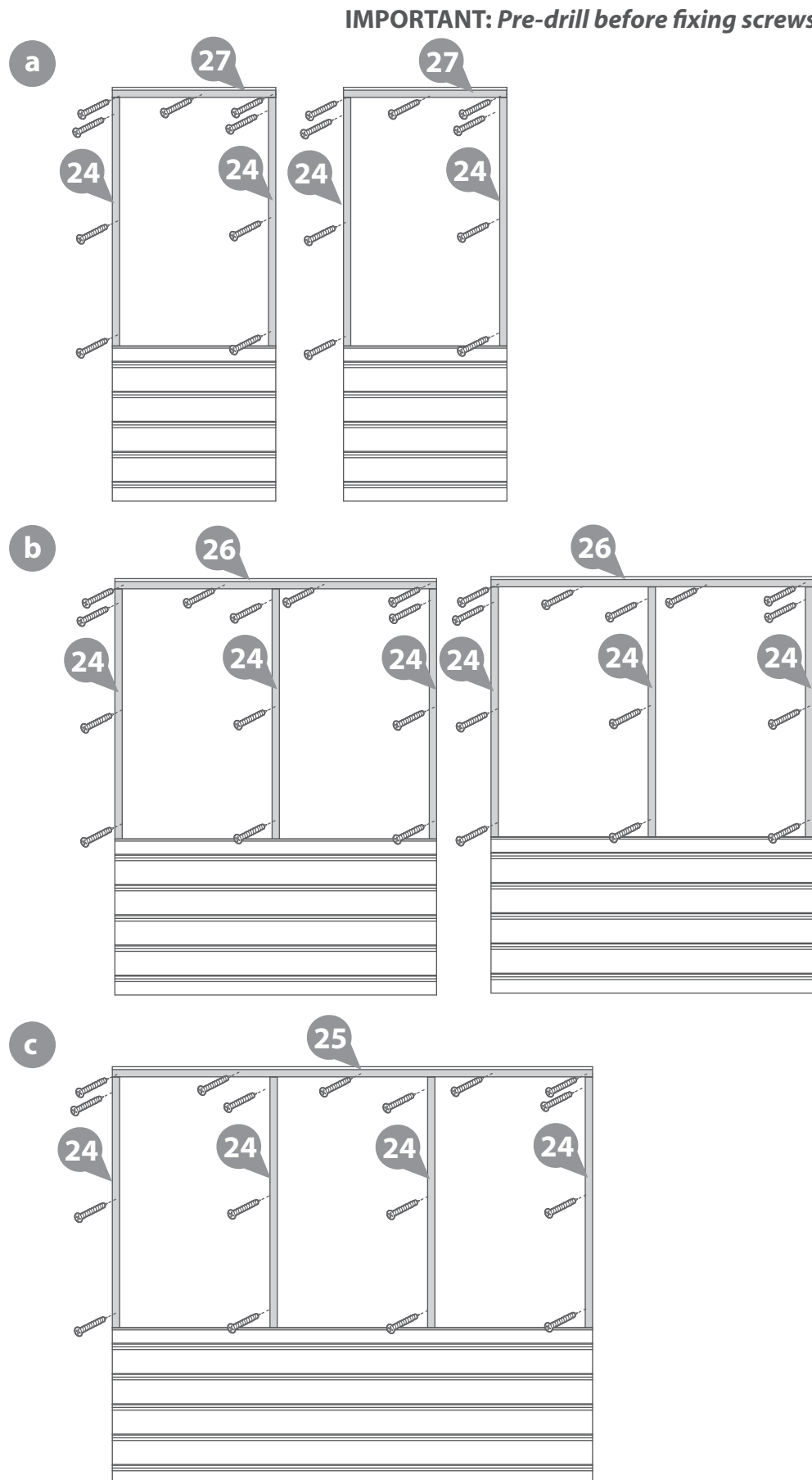
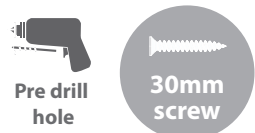
a On the Door sides (**No.1**) locate Window strips (**No.24**) onto either side of the panel, and Window Strip (**No.27**) along the top of the panel, ensuring to trap the styrene. Fix in place using 3x30mm screw per strip.

b On the Small Window Side (**No.2**) locate Window strips (**No.24**) onto either side of the panel and where the styrene joins and Window Strip (**No.26**) along the top of the panel, ensuring to trap the styrene. Fix in place using 3x30mm screw per side strip and 4x30mm screws for the top strip.

c On the Large Window Side (**No.3**) locate Window strips (**No.24**) onto either side of the panel and where the styrene joins and Window Strip (**No.25**) along the top of the panel, and ensuring to trap the styrene. Fix in place using 3x30mm screw per side strip and 5x30mm screws for the top strip.

Note: Ensure the window strips do not overhang the panel framing.

59x30mm screws.



Step 4

Parts needed - No. 2 QTY 1
No. 3 QTY 1

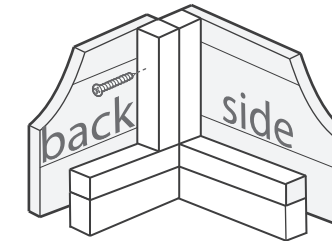
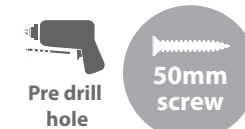
Locate the Small Window Side (**No.2**) and the Large Window Side (**No.3**) on top of the base frame at the corner, ensuring there is equal spacing between the panels and the base frame on each side.

Note: The large window side sits in between the two side panels.

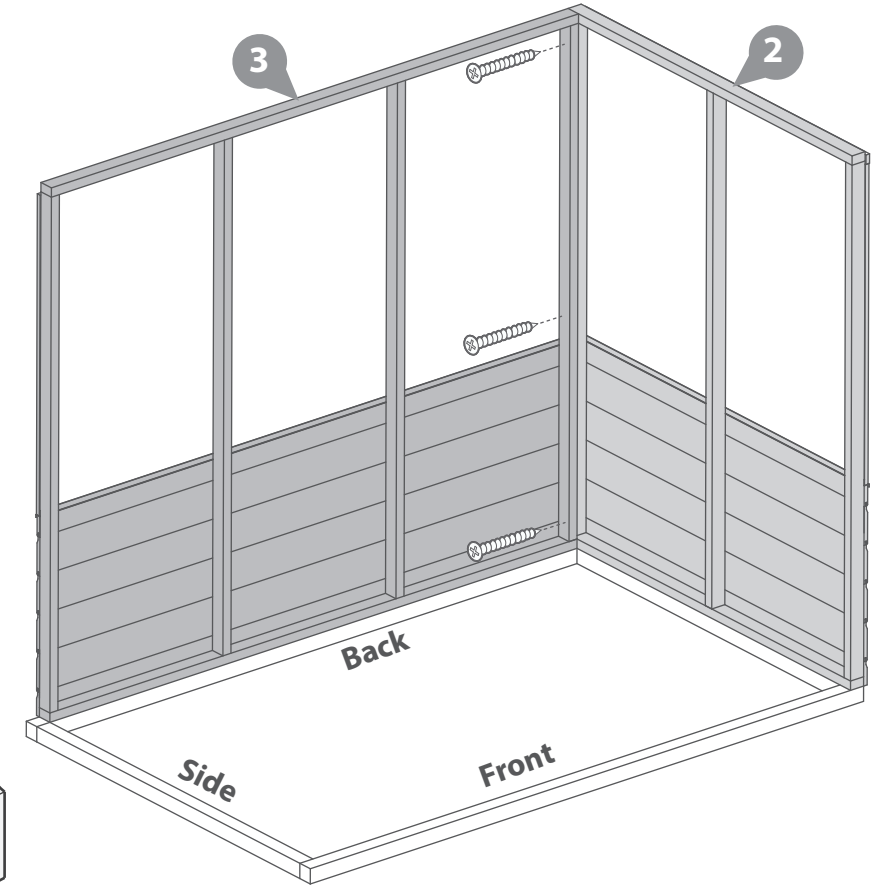
Secure the panels together by screwing through the corners using 3x50mm screws.

DO NOT fix the panels to the floor until the roof has been fitted.

3x50mm screws.



IMPORTANT: Pre-drill before fixing screws.



Step 5

Parts needed - No. 2 QTY 1

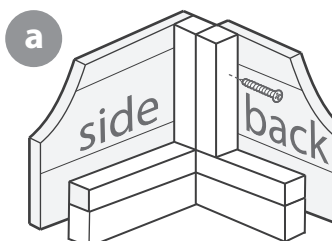
Locate the remaining Small Window Side (**No.2**) on top of the base frame at the corner, ensuring there is equal spacing between the panels and the base frame on each side.

Note: The large window side sits inbetween the two side panels.

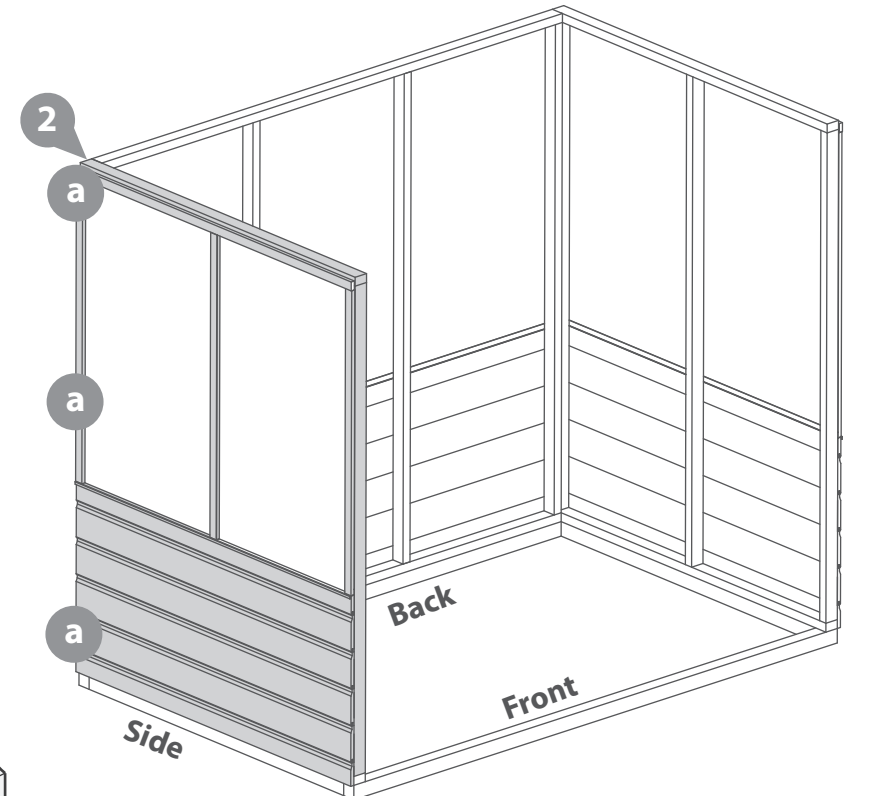
Secure the panels together by screwing through the corners using 3x50mm screws.

DO NOT fix the panels to the floor until the roof has been fitted.

3x50mm screws.



IMPORTANT: Pre-drill before fixing screws.



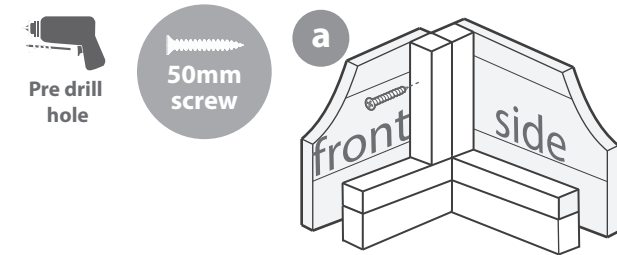
Step 6
Parts needed - No. 1 QTY 2

Locate the Door Side (No.1) on top of the base frame at the front corners, between the Small Window Sides (No.2) ensuring there is equal spacing between the panels and the base frame on each side.

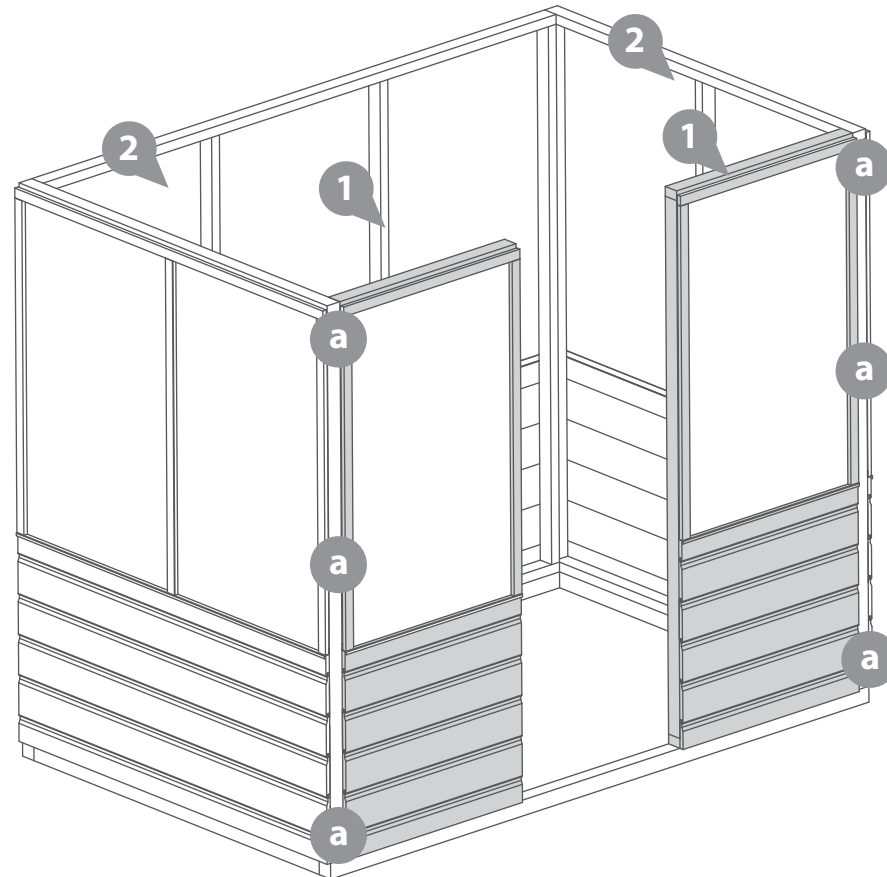
Secure the panels together by screwing through the corners using 3x50mm screws.

DO NOT fix the panels to the floor until the roof has been fitted.

6x50mm screws.



IMPORTANT: Pre-drill before fixing screws.



Step 8
Parts needed - No. 4 QTY 1
No. 5 QTY 1

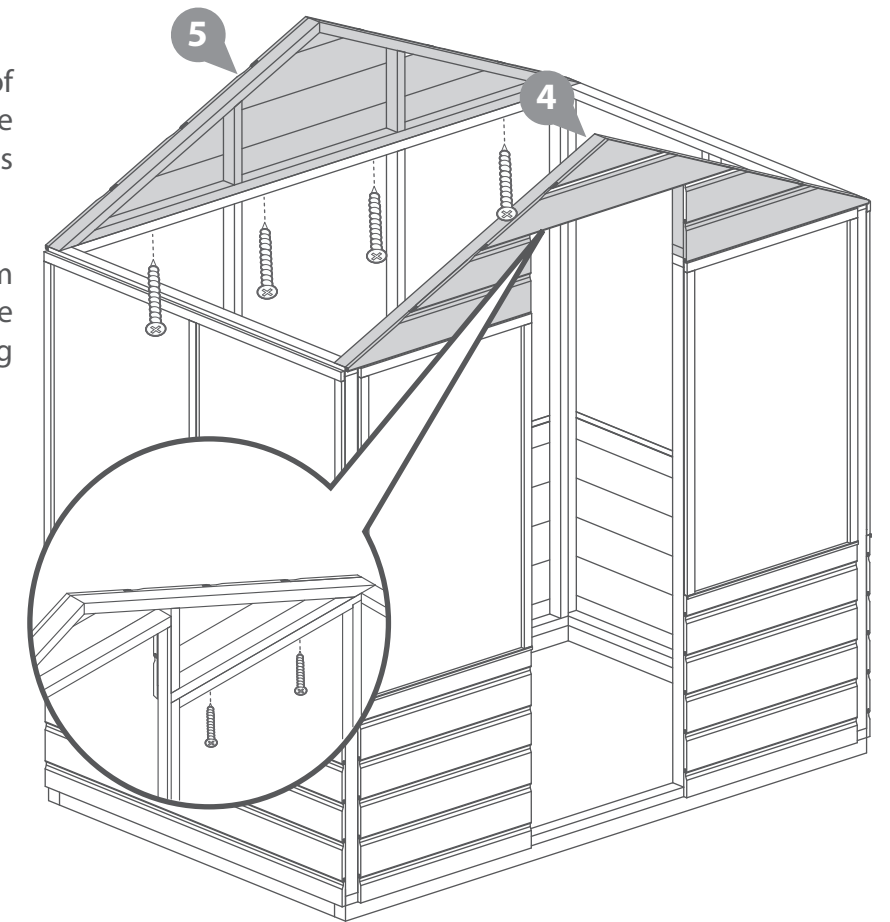
Locate the Plain Gable Top (No.5) on top of the Large Window Side and the Door Gable top (No.4) on top of the Door Sides, as shown.

Secure the gables in place using 4x50mm screws per gable top, screwing through the panel framing into the gable framing above.

8x50mm screws.



IMPORTANT: Pre-drill before fixing screws.



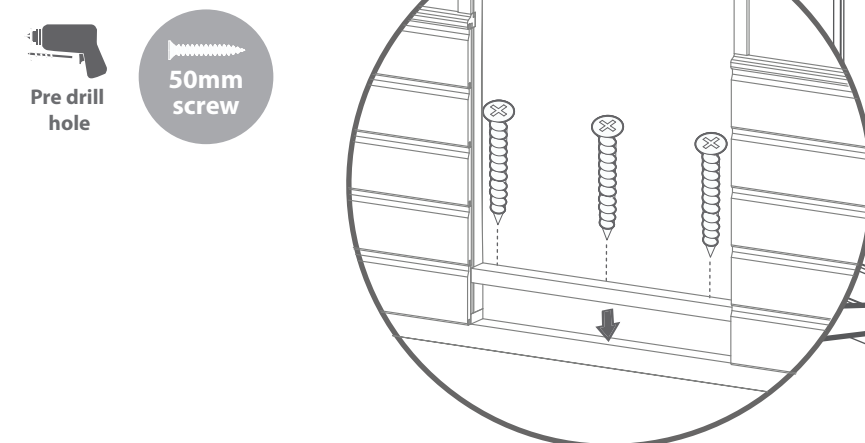
Step 7
Parts needed - No. 14 QTY 1

Locate the Door Frame (No.14) onto the base framing between the Door Sides (No.1).

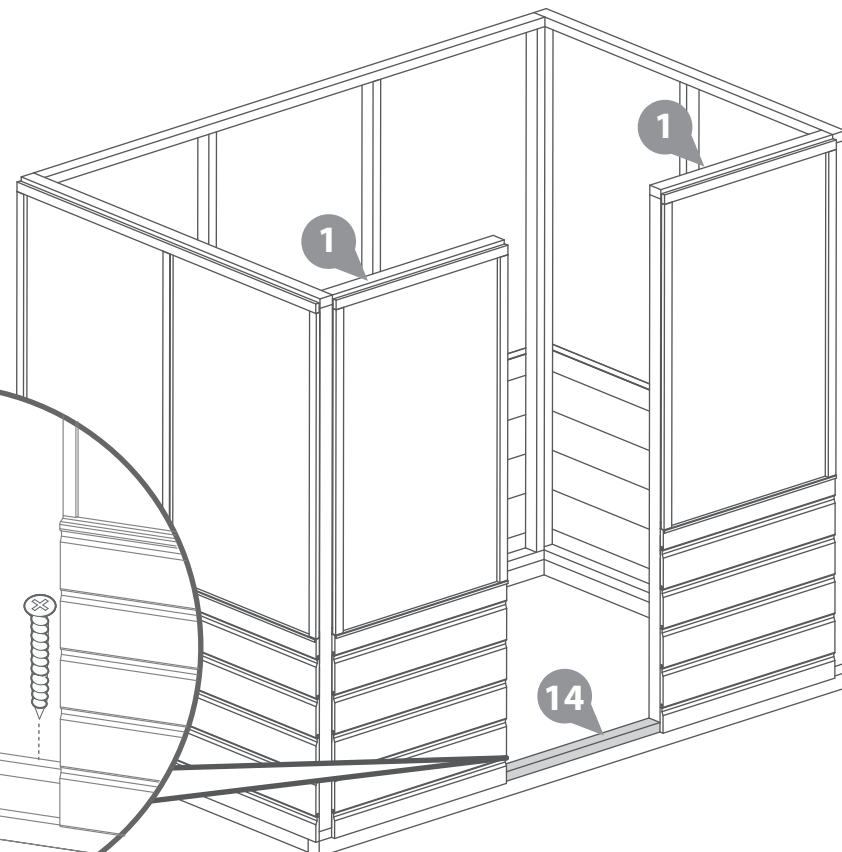
Fix in place using 3x40mm screws.

This allows the Door Sides to be correctly spaced.

3x40mm screws.



IMPORTANT: Pre-drill before fixing screws.

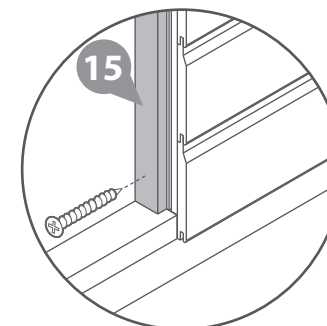
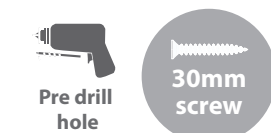


Step 9
Parts needed - No. 15 QTY 2

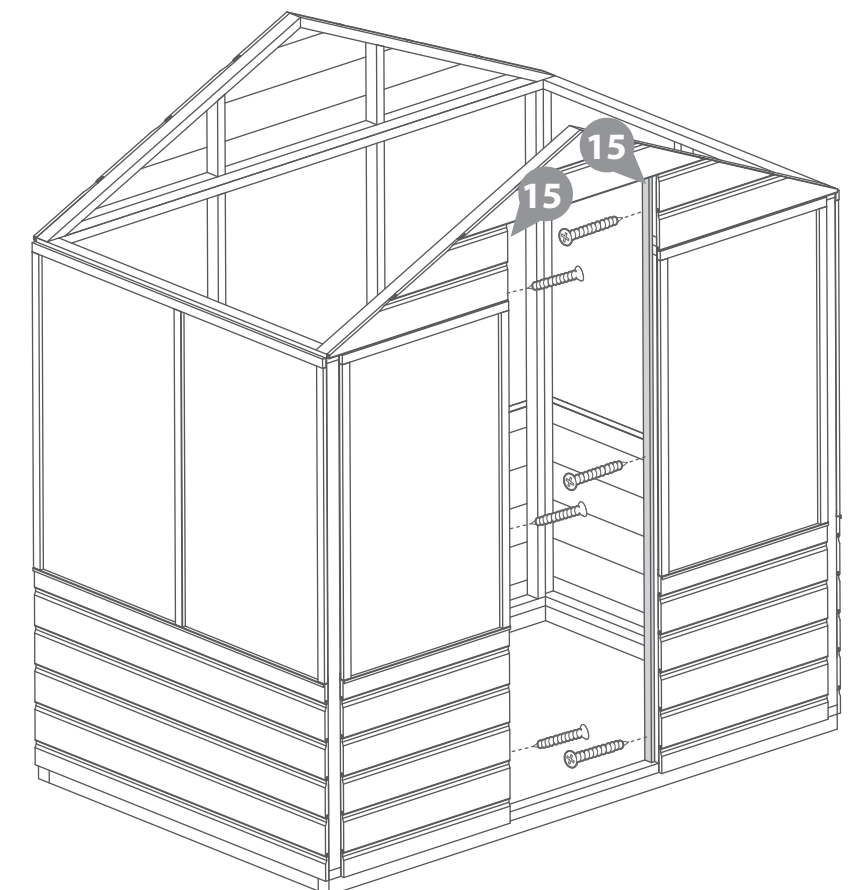
Locate the two Door strips (No. 15) to either side of the door opening, ensuring the Strips are flush with the internal framing of the panel, as shown.

Fix in place using 3x30mm screws per strip.

6x30mm Screws.



IMPORTANT: Pre-drill before fixing screws.

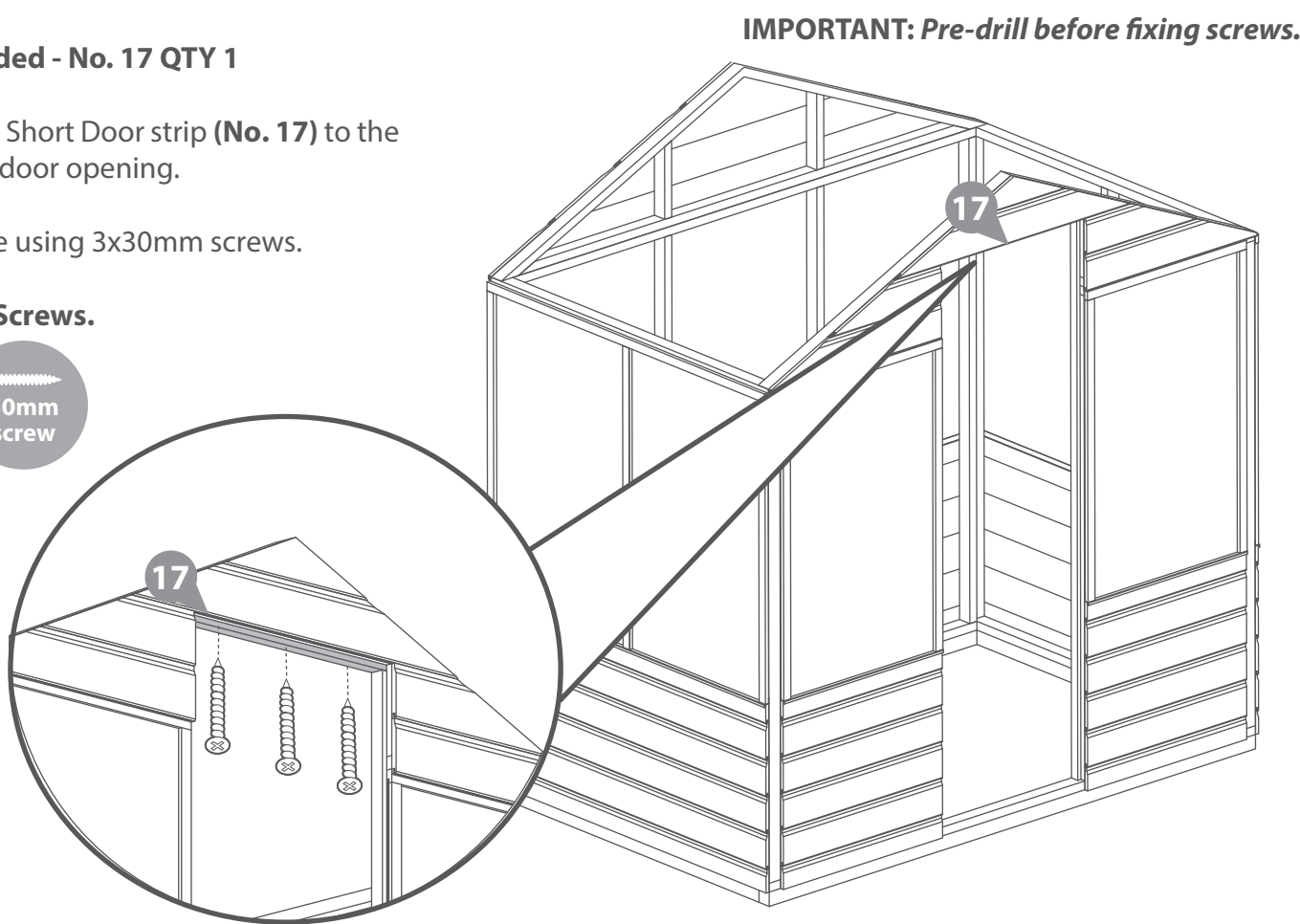
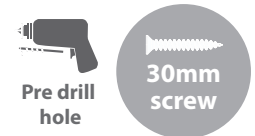


Step 10
Parts needed - No. 17 QTY 1

Locate the Short Door strip (No. 17) to the top of the door opening.

Fix in place using 3x30mm screws.

3x30mm Screws.

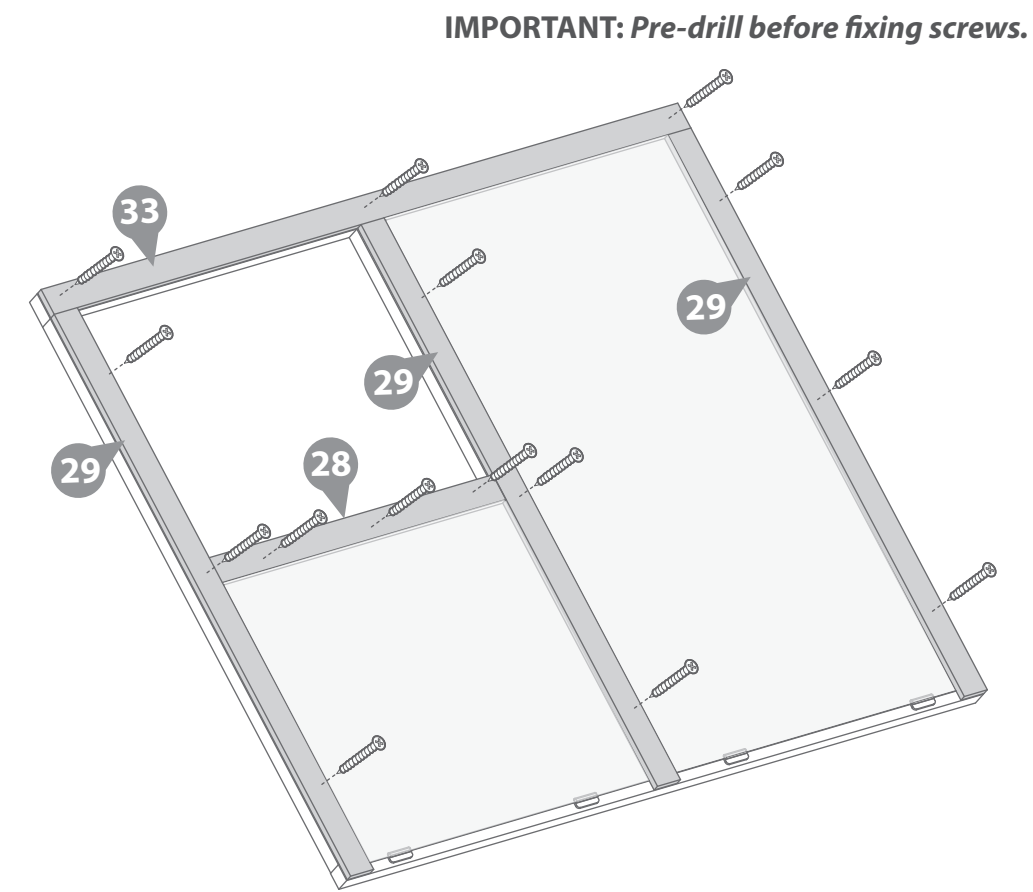


Step 12
Parts needed - No. 28 QTY 1
No. 29 QTY 3
No. 33 QTY 1

Locate the strips (No 28, 29, & 33) onto the top of the Roof panel, ensure to trap the styrene and that the framing is flush to the edge of the panel and each strip, as shown.

Fix the strips in place using 3x30mm screws per strip. Ensure you screw to the side of the styrene not through it.

15x30mm Screws.

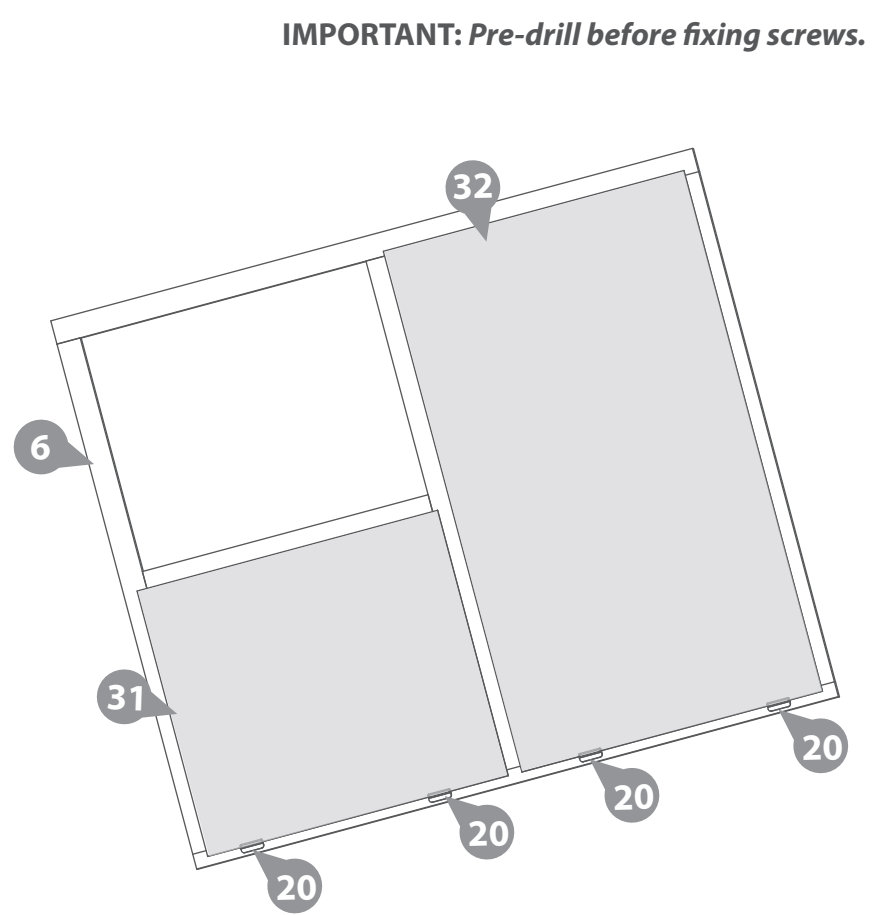
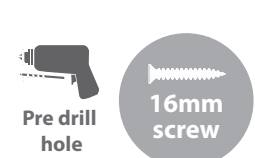


Step 11
Parts needed - No. 6 QTY 1
No. 20 QTY 4
No. 31 QTY 1
No. 32 QTY 1

Lay the roof panel (No. 6) down ensuring the thinner edge of the frame is at the bottom. Place the styrene sheets (No. 31 & 32) in position as shown.

Fix in place using two Window Glazing beads (No. 20) per Styrene sheet. Screw down through the bead into the framing below using 2x16mm screws per bead.

8x16mm Screws.



Step 13

Parts needed - No. 9 QTY 1
No. 18 QTY 2
No. 37 QTY 1

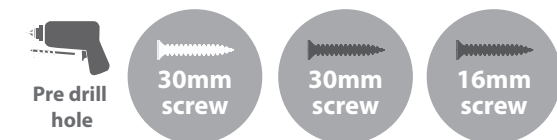
Locate the Opening Window (**No.9**) into the Window aperture, ensuring equal spacing on all sides.

Locate the strip (**No.37**) onto the window panel above the Window (**No.9**) and fix in place with 4x30mm screws.

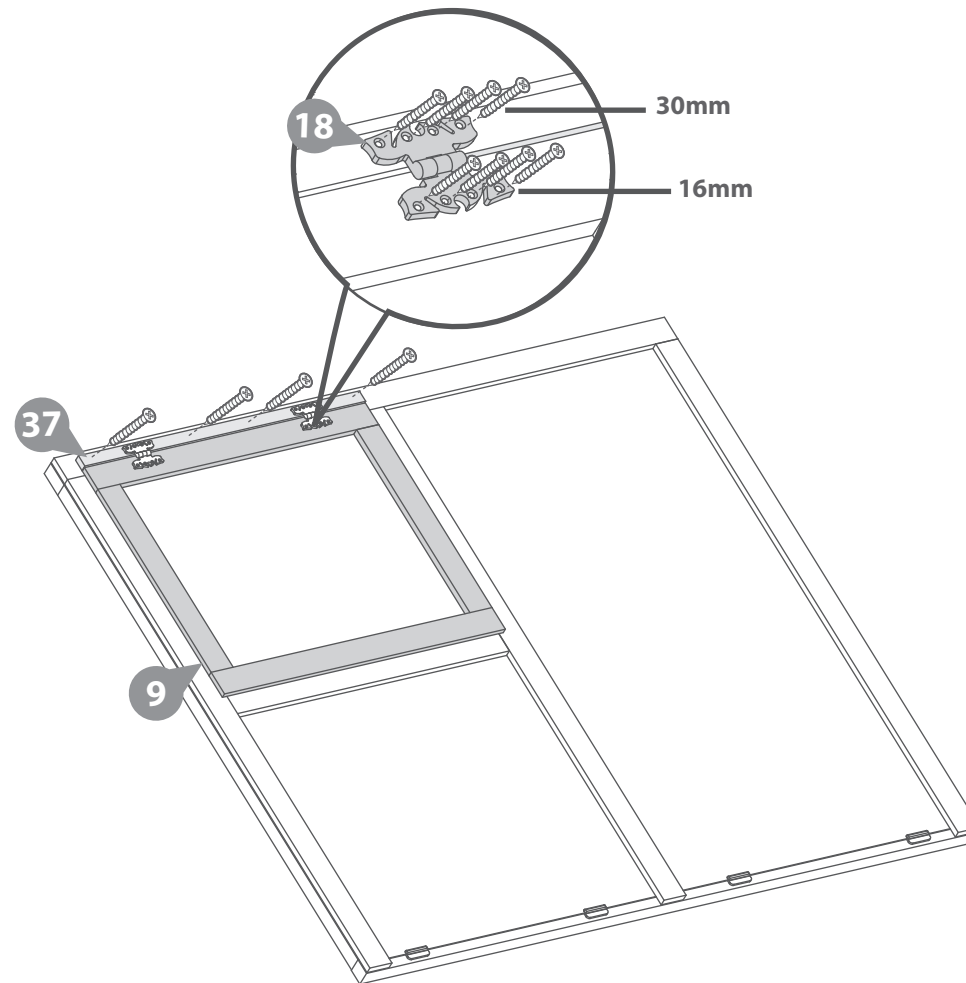
Locate the Hinges (**No.18**) onto the Strip (**No.37**) and Window (**No.9**), as shown.

Secure the hinges to the Strip (**No.37**) using 4x30mm black screws per hinge and to the Window (**No.9**) using 4x16mm screw per hinge, as shown.

4x30mm Screws.
8x30mm Black Screws.
8x16mm Black Screws.



IMPORTANT: Pre-drill before fixing screws.



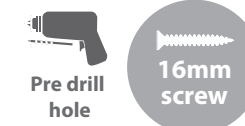
Step 14

Parts needed - No. 7 QTY 1
No. 20 QTY 4
No. 32 QTY 2

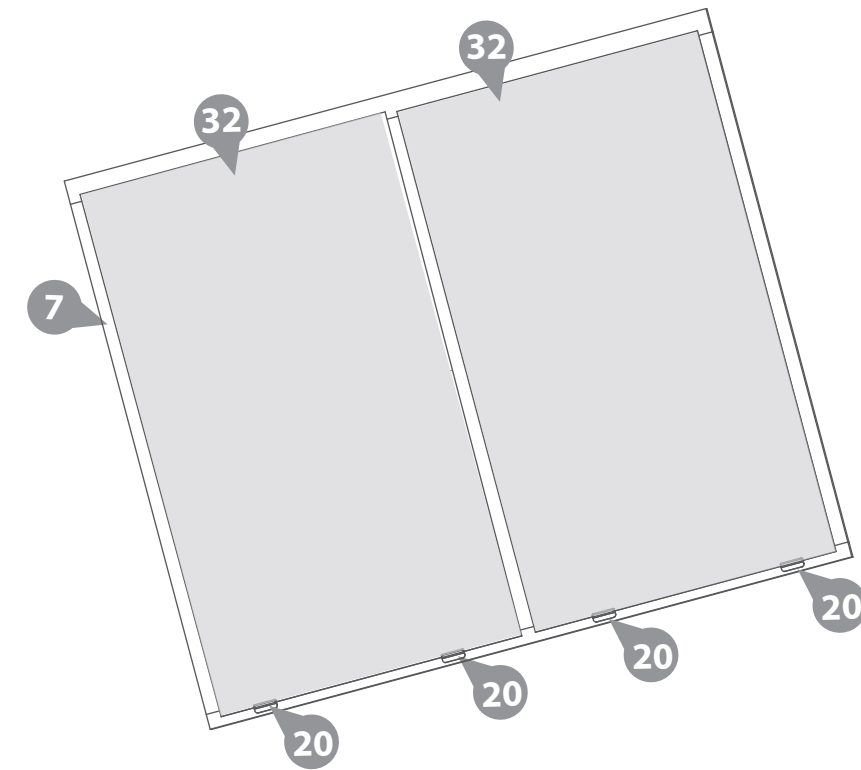
Lay the Roof Panel (**No. 7**) down ensuring the thinner edge of the frame is at the bottom. Place the styrene sheets (**No.32**) in position as shown.

Fix in place using two Window Glazing beads (**No. 20**) per Styrene sheet. Screw down through the bead into the framing below using 2x16mm screws per bead.

8x16mm Screws.



IMPORTANT: Pre-drill before fixing screws.



Step 15

Parts needed - No. 29 QTY 3
No. 33 QTY 1

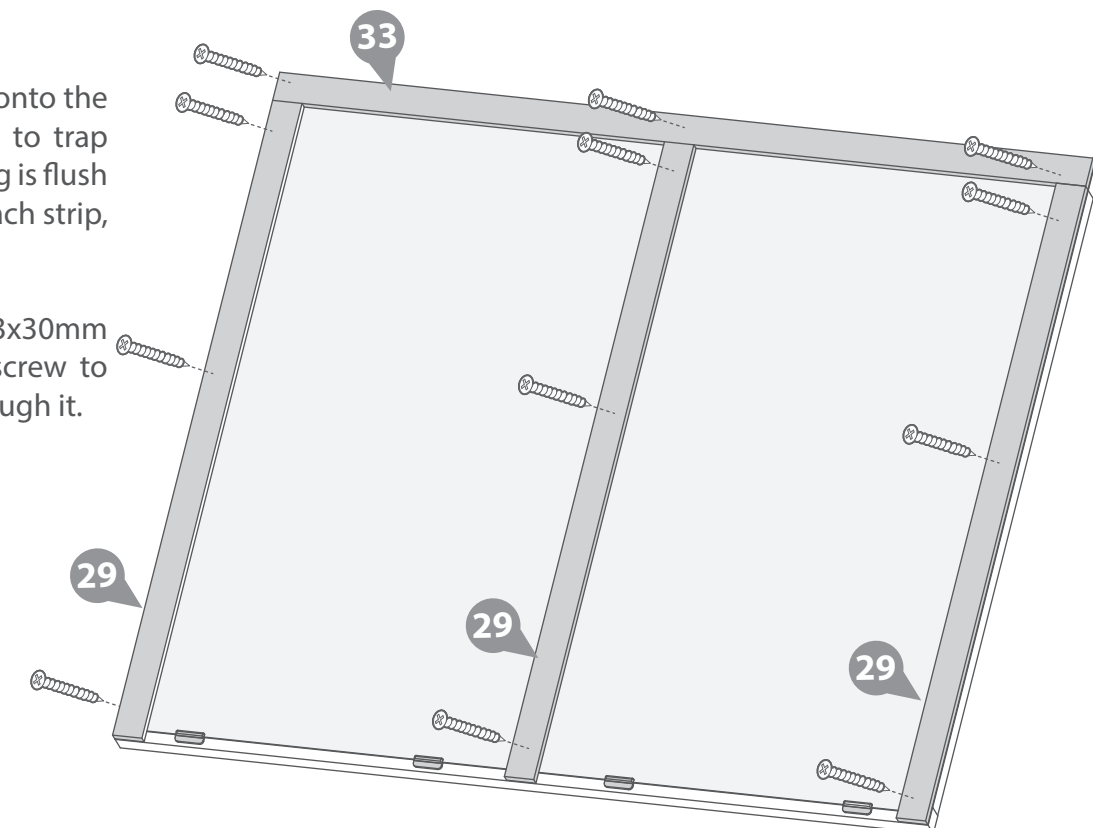
Locate the strips (**No 29 & 33**) onto the top of the Roof panel, ensure to trap the styrene and that the framing is flush to the edge of the panel and each strip, as shown.

Fix the strips in place using 3x30mm screws per strip. Ensure you screw to the side of the styrene not through it.

12x30mm Screws.



IMPORTANT: Pre-drill before fixing screws.

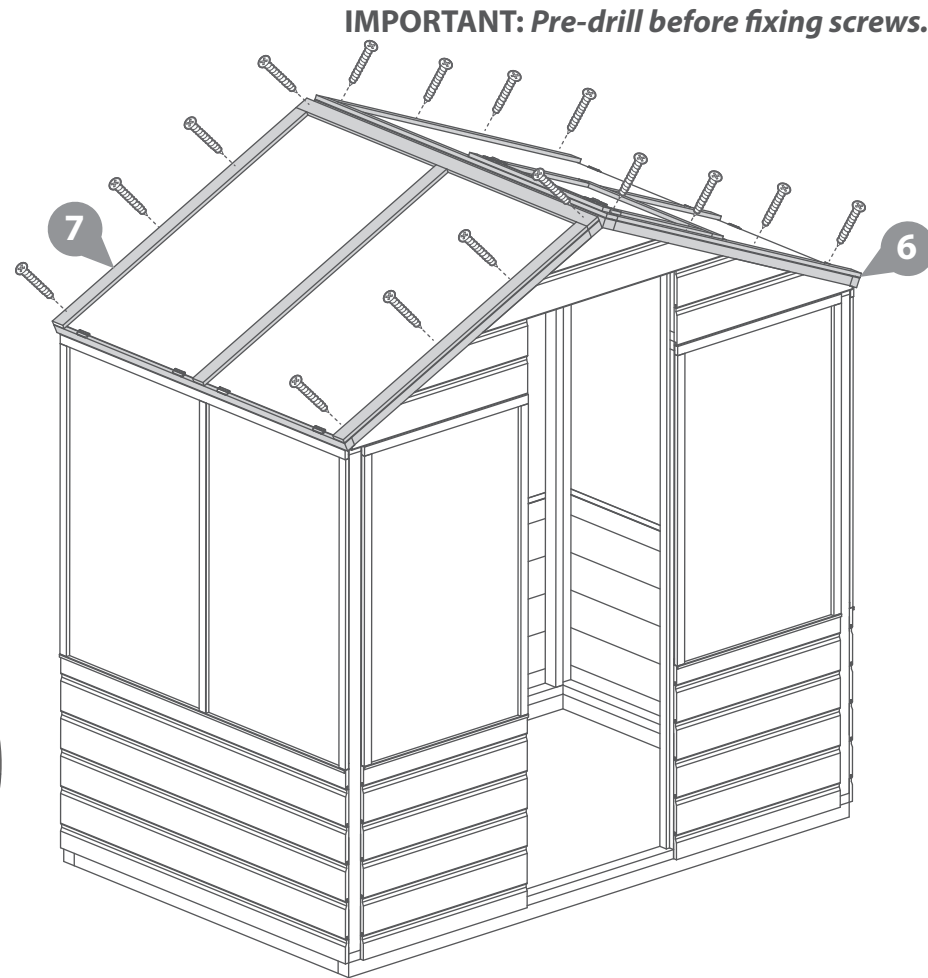
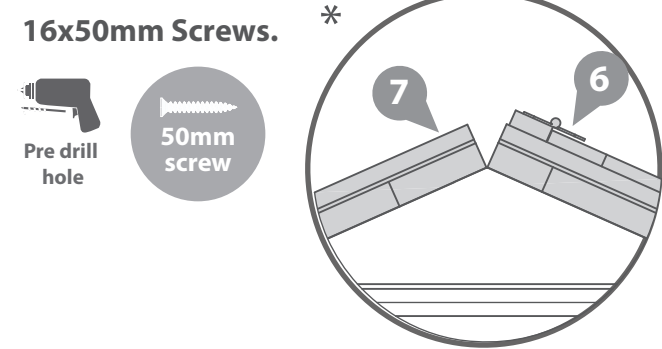


Step 16
Parts needed - No. 6 QTY 1
No. 7 QTY 1

Place the Roof panels (**No. 6 & 7**) on top of each gable, making sure the roofs are flush to each gable and meet at the top of the apex.

***IMPORTANT: Ensure both roof sections meet at the top of the apex as shown in the illustration.**

Secure the roof panels to the building using 8x50mm screws per roof panel.



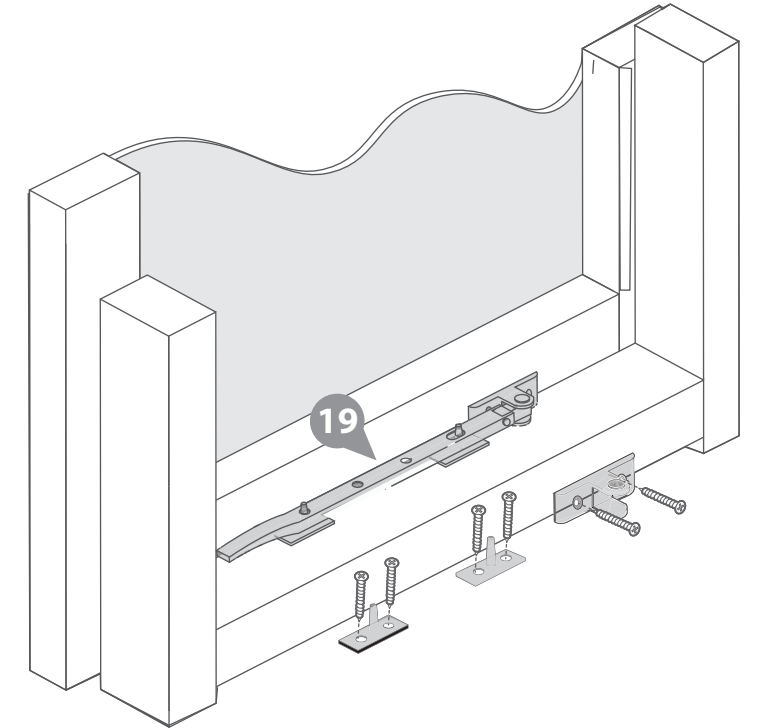
Step 18
Parts needed - No. 19 QTY 1

Fix the Casement stay (**No. 19**) to the opening window then align the fixings onto the window panel frame. Ensure the casement stay fits onto fixings when closed before screwing them down using 6x20mm screws.

6x20mm Screws.



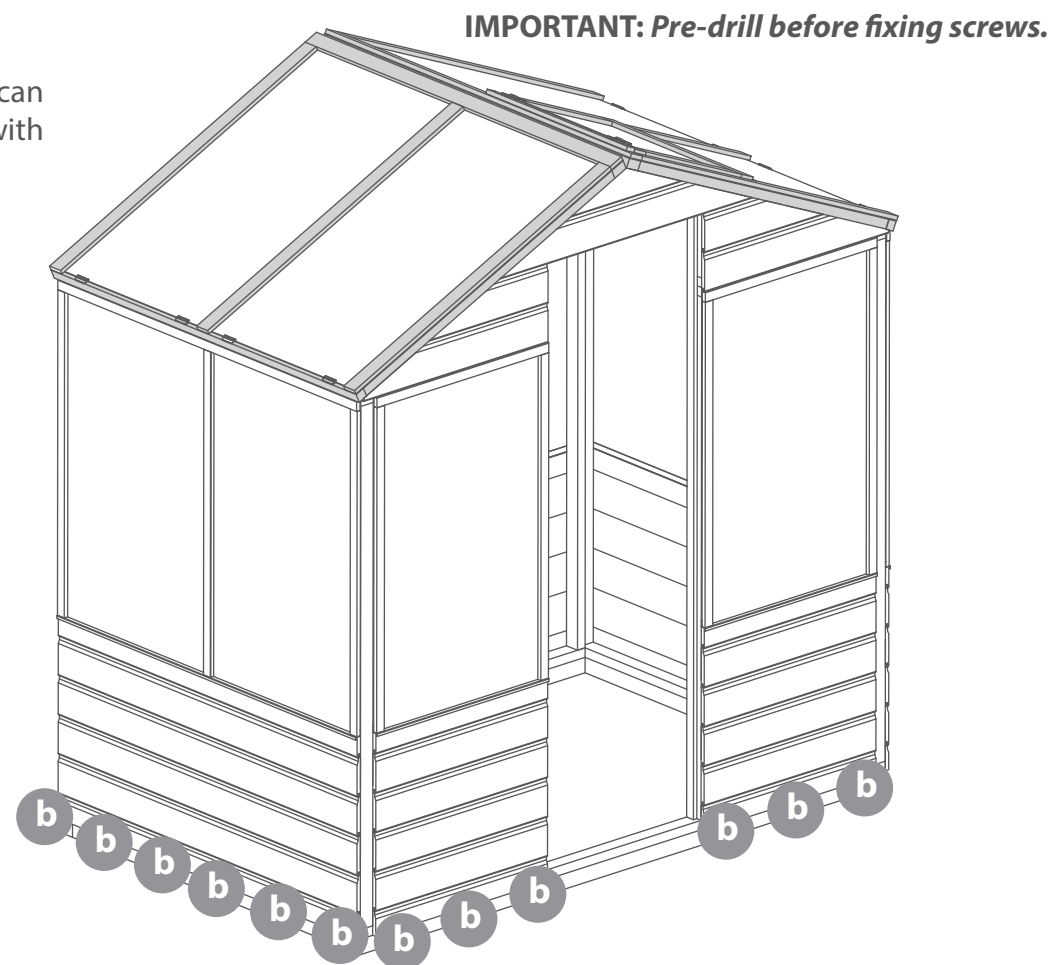
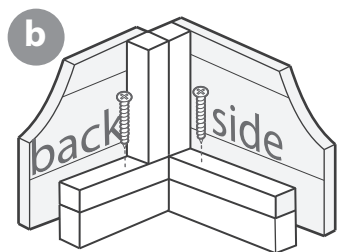
IMPORTANT: Pre-drill before fixing screws.



Step 17

Once the roof is secure, the building can be secured to the base framing with 6x50mm screws per side.

24x50mm Screws.



Step 19
Parts needed - No. 13 QTY 1

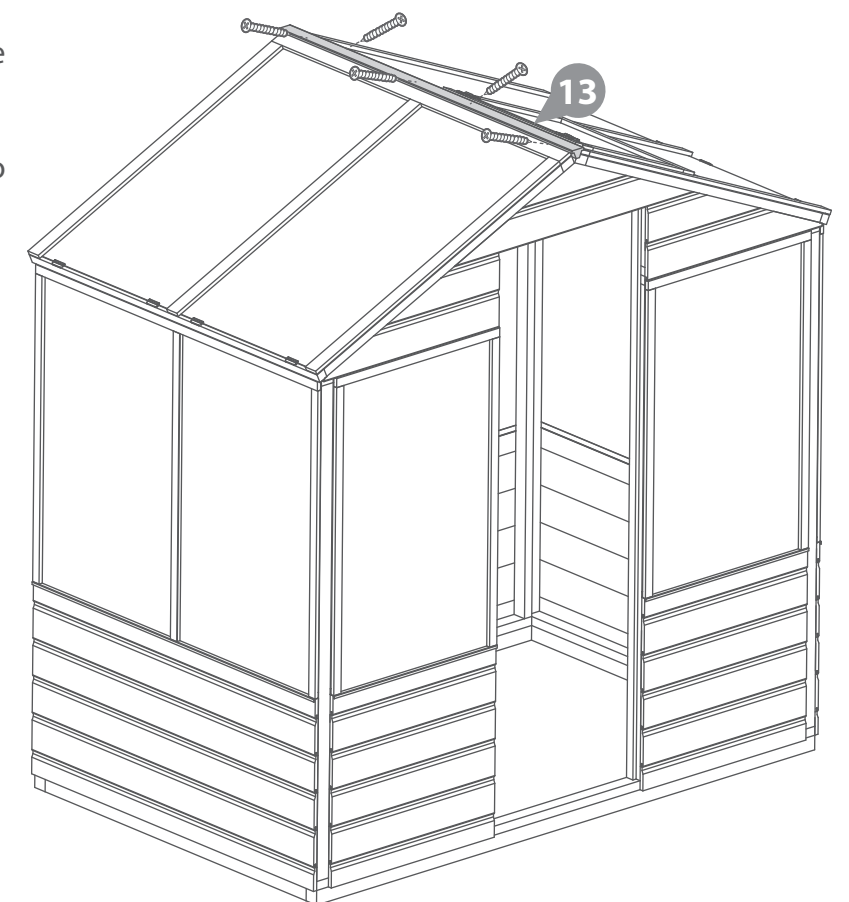
Attach the Roof Support bar (**No. 13**) to the roof panels using 5x40mm screws.

Screw diagonally through the support into the roof panel as shown in the diagram.

5x40mm Screws.



IMPORTANT: Pre-drill before fixing screws.

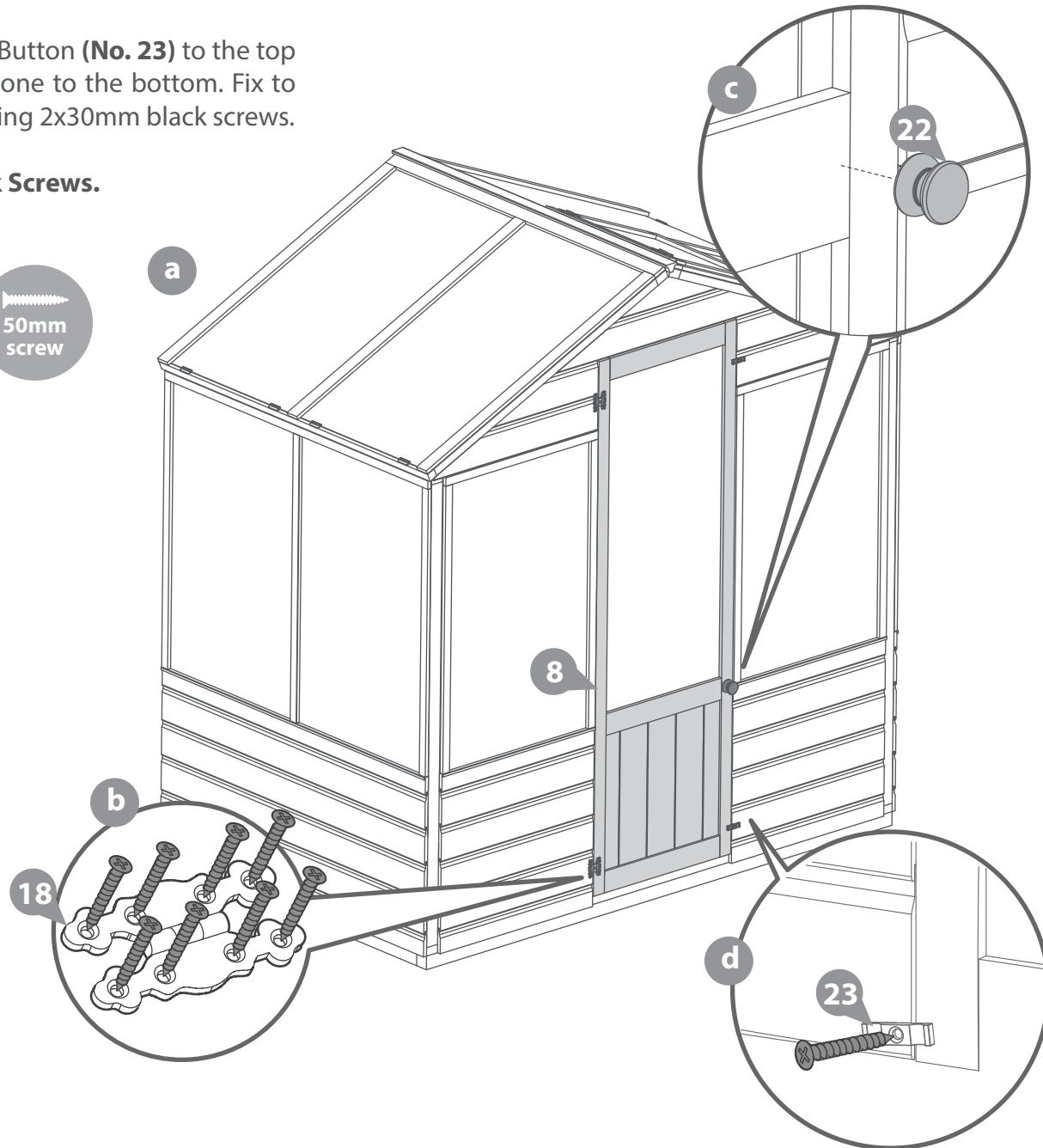


Step 20

- Parts needed - No. 8 QTY 1
 No. 18 QTY 2
 No. 22 QTY 2
 No. 23 QTY 2

- a** Locate the Door (No. 8) into Door opening ensuring there is equal spacing on all sides.
- b** Fix the door (No. 8) to the building using 16x30mm black screws per hinge (No. 18) as shown in the diagram.
- c** Locate the Door Knob (No. 22) onto the door (No.8). Secure in place by screwing through the door, internally, and into the door knob using 1x50mm screw.
- d** Locate one Turn Button (No. 23) to the top of the door and one to the bottom. Fix to the Door Side using 2x30mm black screws.

18x30mm Black Screws.
1x50mm screw.



IMPORTANT: Pre-drill before fixing screws.

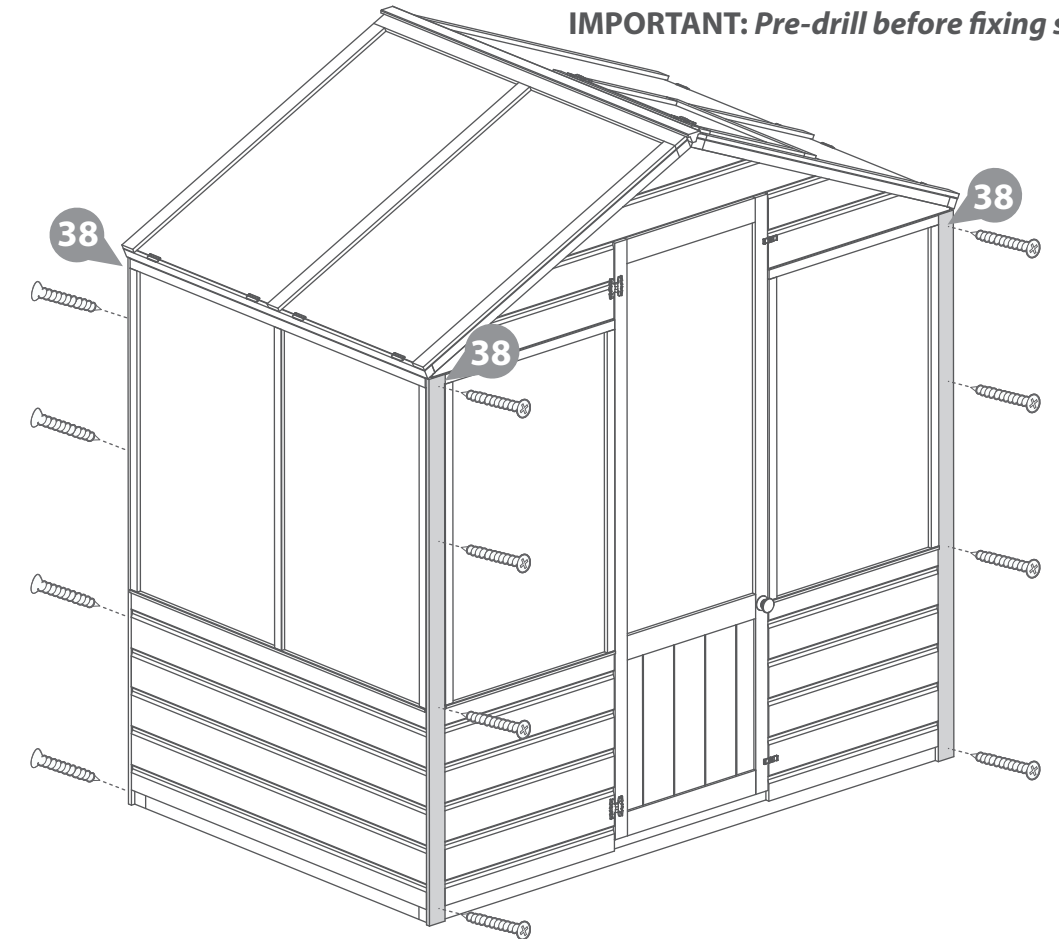
Step 21

- Parts needed - No. 38 QTY 4

Locate the Corner Trims (No.38) onto each corner of the building, as shown.

Fix in place using 4x30mm screws per trim.

16x30mm Screws



IMPORTANT: Pre-drill before fixing screws.

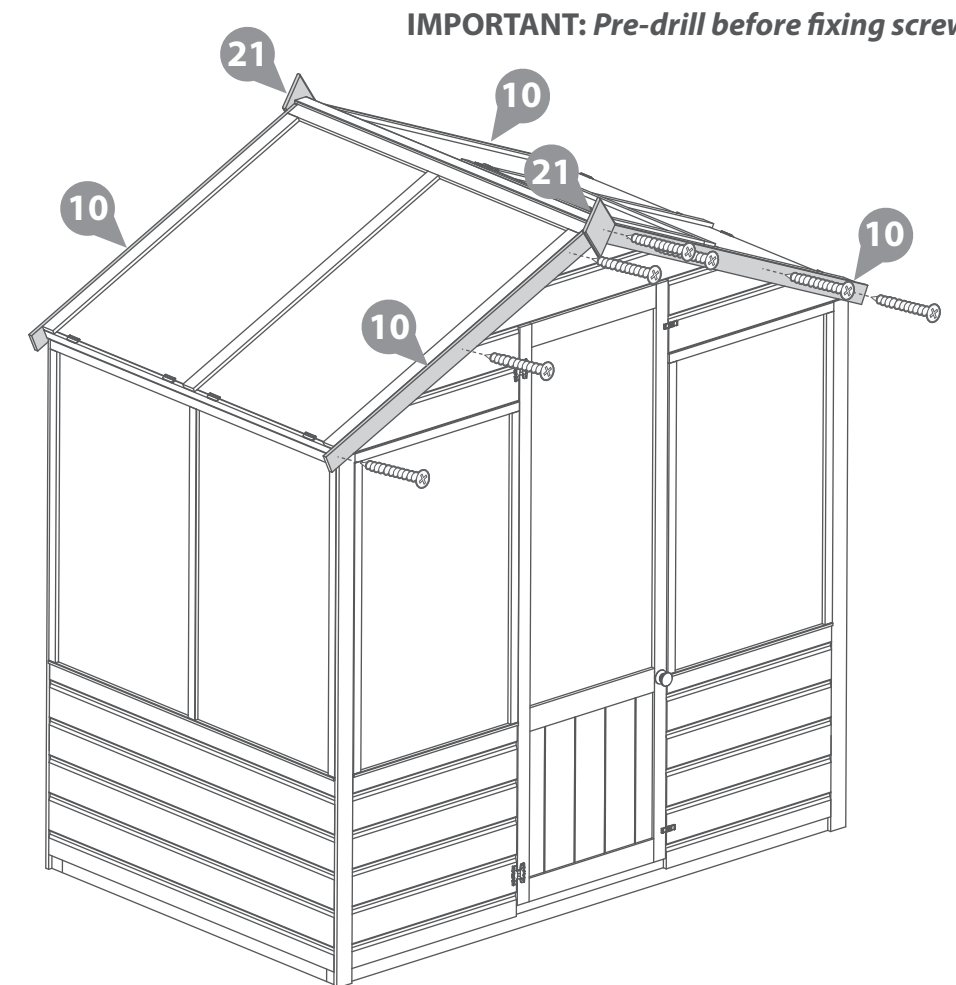
Step 22

- Parts needed - No. 10 QTY 4
 No. 21 QTY 2

Locate Fascias (No. 10) to the front and back of the building as shown. Secure in place using 3x30mm screws per Fascia.

Locate the finials (No. 21) on top of the Fascias (No. 10) and fix in place using 1x30mm screw per Finial.

14x30mm Screws



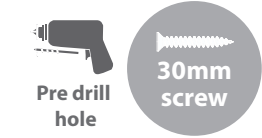
IMPORTANT: Pre-drill before fixing screws.

Step 23

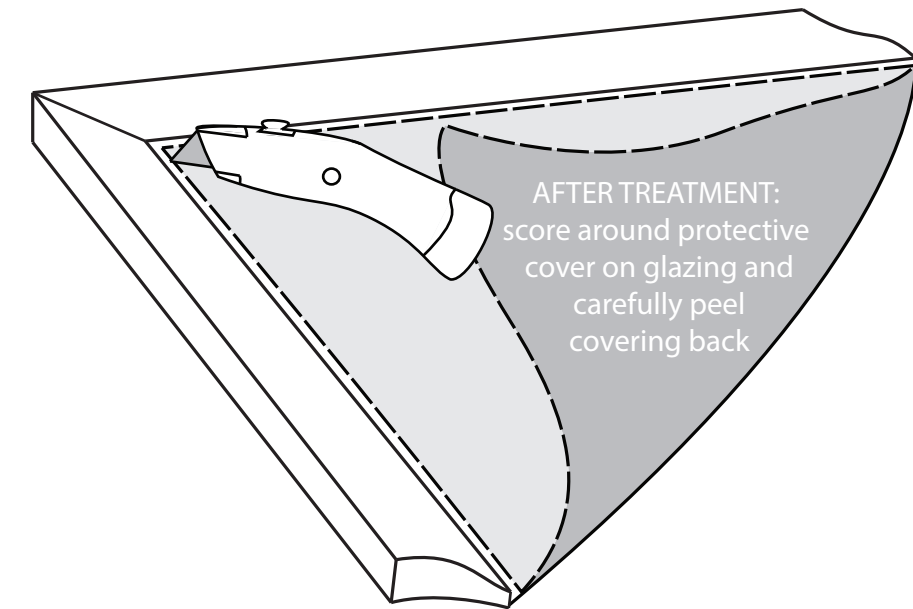
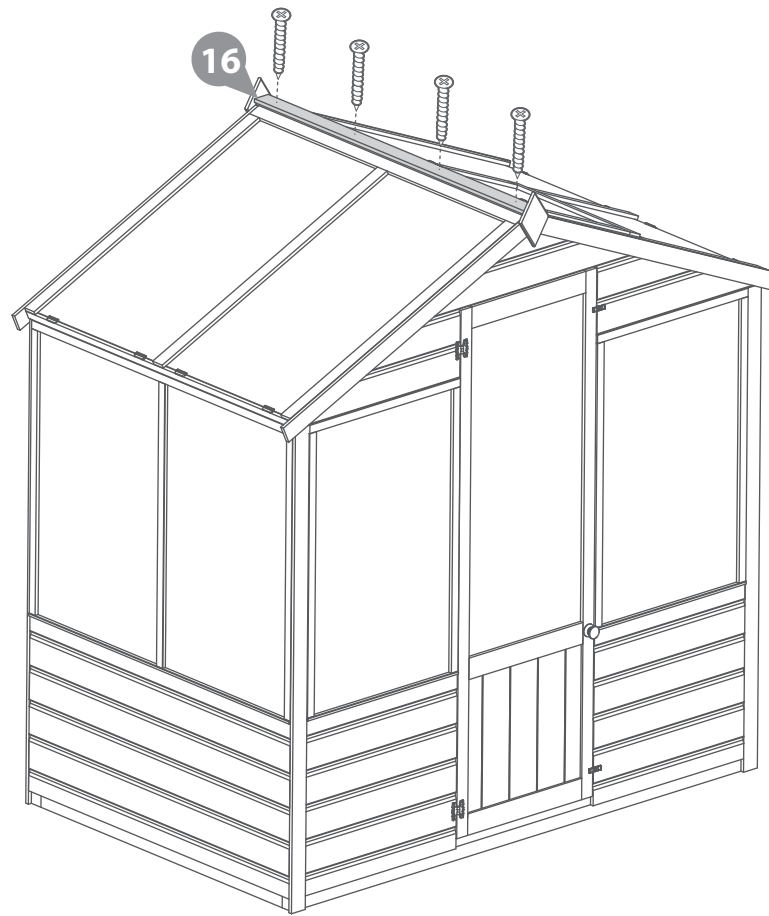
Parts needed - No. 16 QTY 1

Locate the Roof trim (**No.16**) to the top of the building and secure with 4x30mm screws as shown.

4x30mm Screws



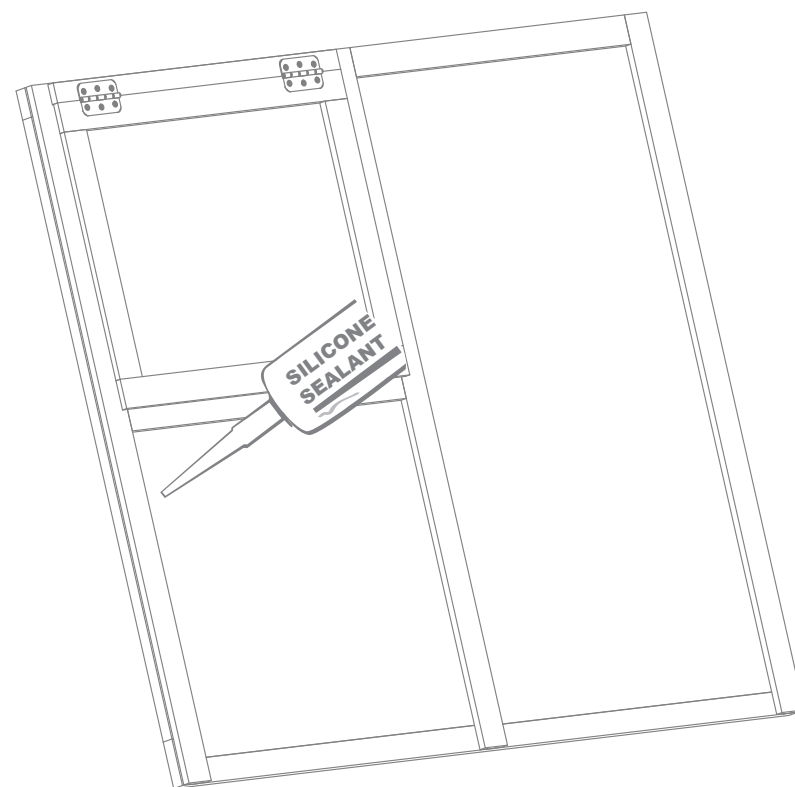
IMPORTANT: Pre-drill before fixing screws.



Step 24

It is **ESSENTIAL** to seal around all window framing with silicone sealant (**not included**) to minimise water ingress.

***Please note:** This image is for illustrative purposes and may differ from your product (**in regards to the number of windows**) however the principle is the same.

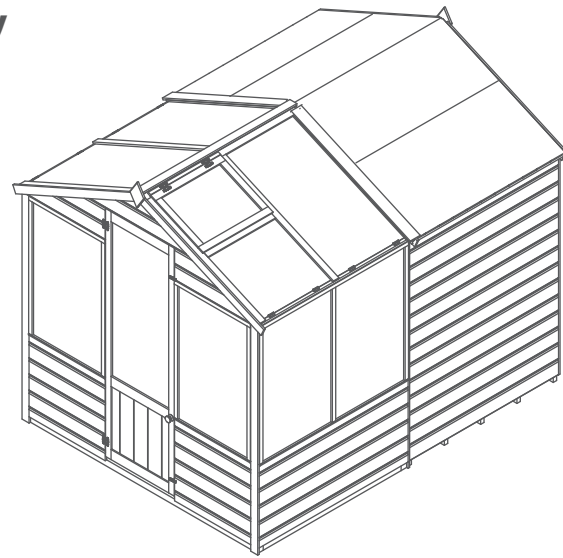


Greenhouse and apex shed assembly

(04DTSTRDAX0406HGS-V1 + 01DTSHAX0406SDFW-V1)

Overall Dimensions:
 Width = 1972mm
 Depth = 2447mm
 Height = 2039mm

Base Dimensions:
 Width: 1860mm
 Depth: 2397mm



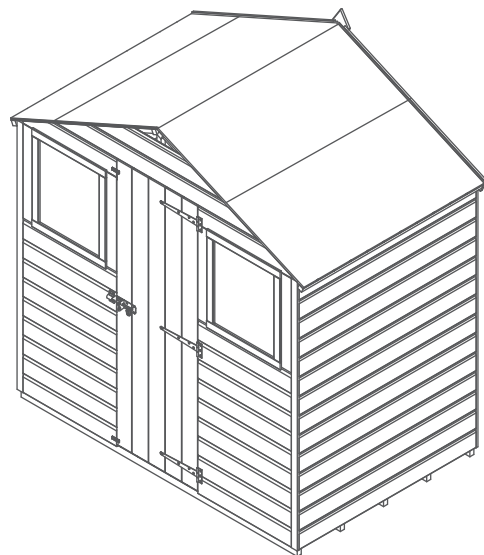
**Please note:

This product can be installed with the shed door either inside the building (*internal*) or outside (*external*). Before beginning assembling, decide which configuration best suits your needs and read through both sets of instructions carefully.

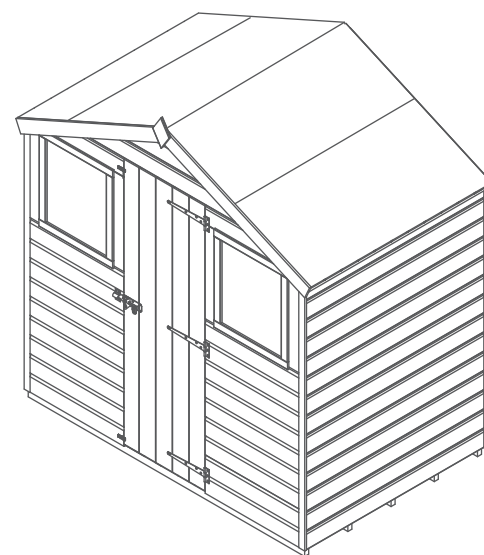
Pre-assembly.

Follow the instructions for the 4x6 apex shed **01DTSHAX0406SDFW-V1** to fully construct the building.

DO NOT fix the fascias and finial on either the front or back of the building, depending where you want to construct your greenhouse (shed door internally or externally).



Greenhouse to be built on the front (internal shed door).



Greenhouse to be built on the back (external shed door).

Please note: Not all components from the greenhouse contents will be used to construct the greenhouse along side the shed and therefore will be left over once the build is complete. Please dispose of these responsibly.

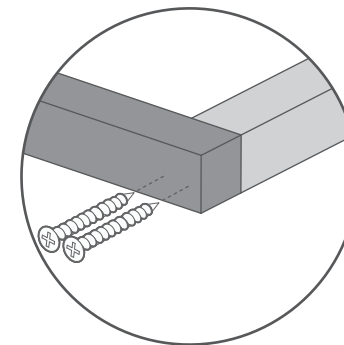
Step 1a

Parts needed - No. 11 QTY 2
No. 12 QTY 2

Lay the Base Frames (**No.11 & 12**) down against the shed, ensuring that Base Frame B, sits on the inside of Base frame A, as shown.

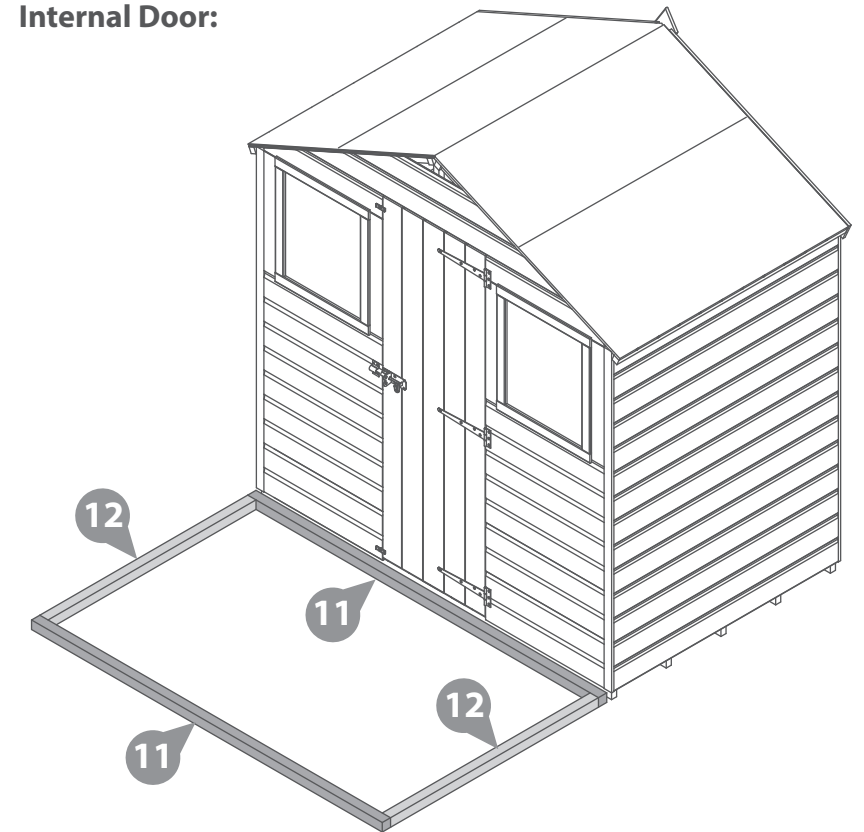
Fix the base framing (**No.11 & 12**) together using 2x70mm screws per corner.

8x70mm screws.

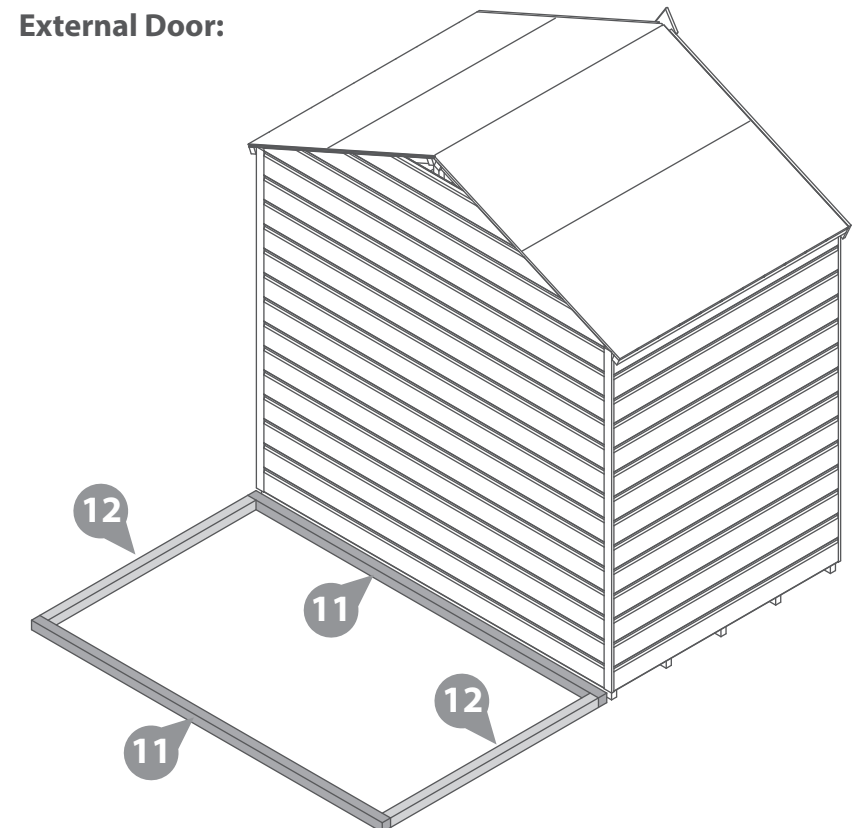


IMPORTANT: Pre-drill before fixing screws.

Internal Door:



External Door:

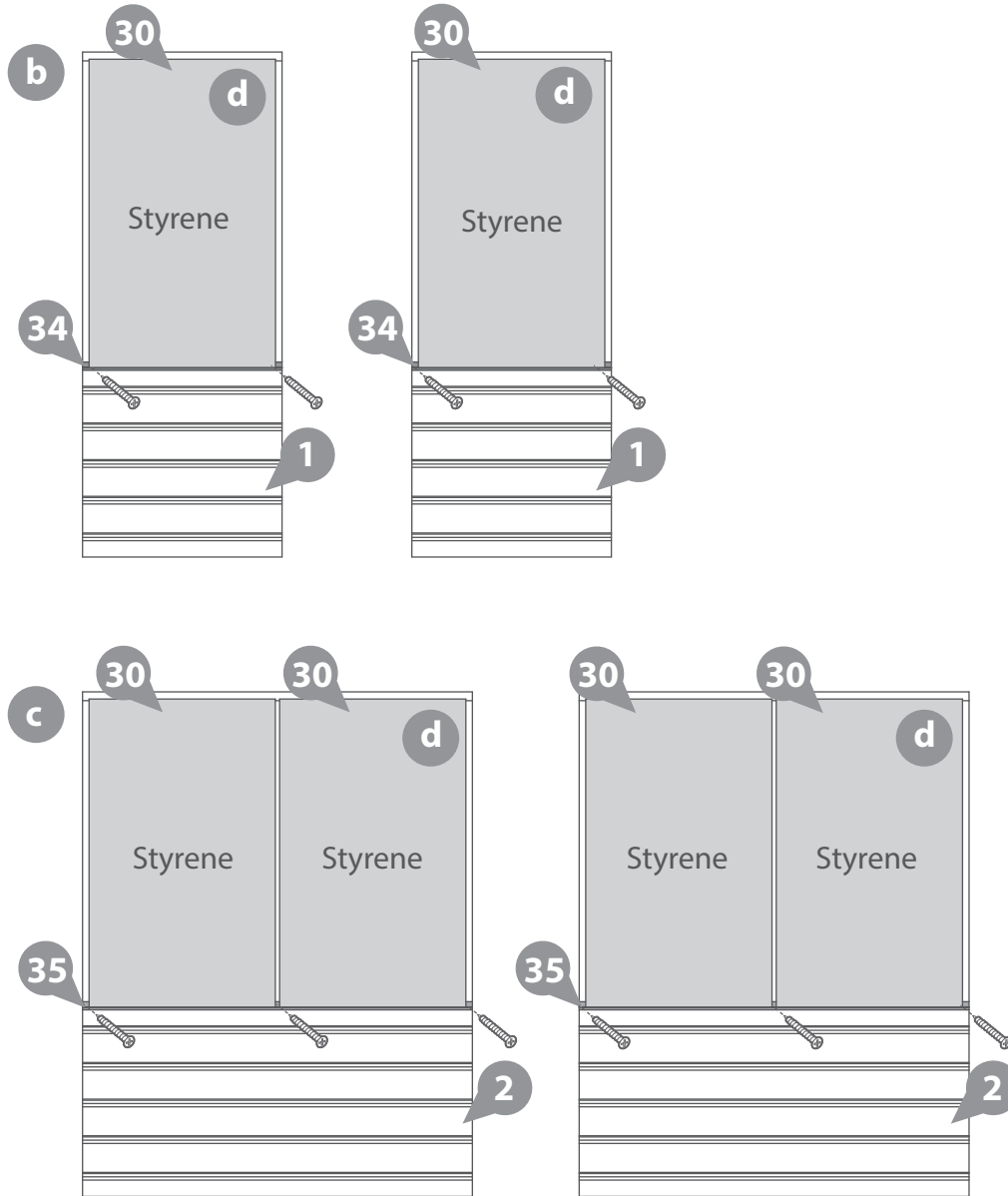


Step 2a

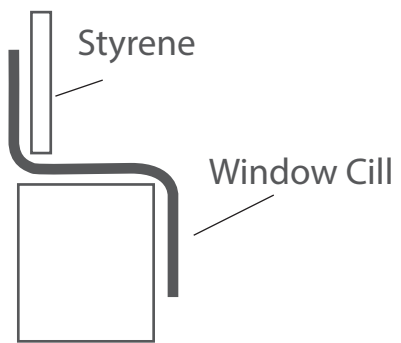
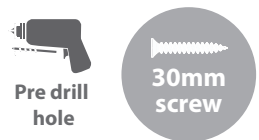
Parts needed - No. 1 QTY 2 No. 34 QTY 2
 No. 2 QTY 2 No. 35 QTY 2
 No. 30 QTY 6

IMPORTANT: Pre-drill before fixing screws.

- a** Lay the Door Sides (**No.1**), Small Window Sides (**No.2**) and Large Window Side (**No.3**) down on a flat and level base.
- b** Place the Window Cills 610mm (**No.34**) onto the lip of the external window opening of the Door sides (**No.1**). Secure the Cill to the framing using 3x30mm screws.
- c** Place the Window Cills 1193mm (**No.35**) onto the lip of the external window opening of the Small Window Sides (**No.1**). Secure the Cill to the framing using 3x30mm screws.
- d** Place the styrene (**No.30**) on top of the cills, ensuring there is equal spacing on all sides, as shown.



10x30mm screws.



Step 3a

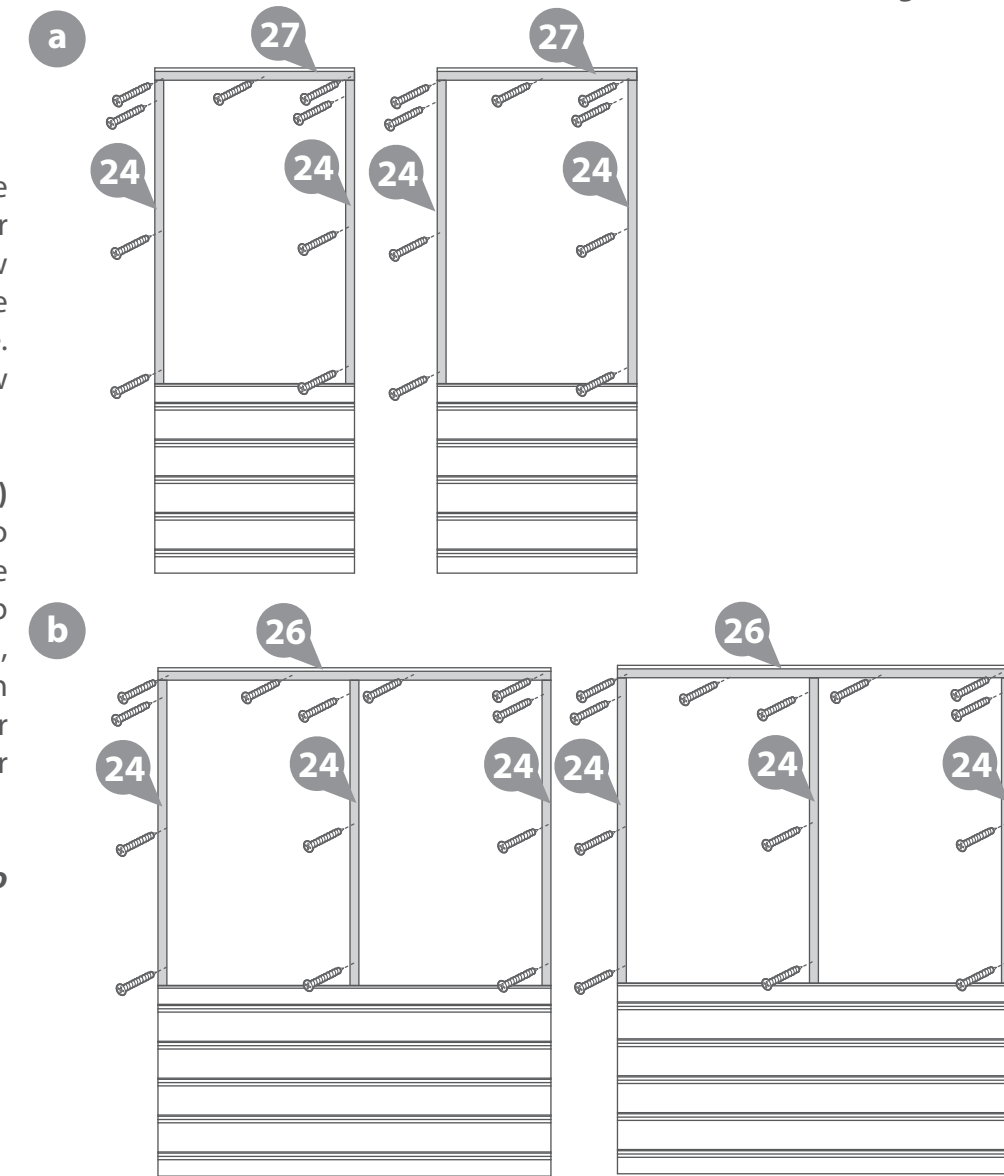
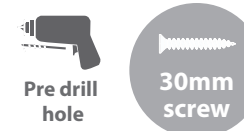
Parts needed - No. 24 QTY 10
 No. 26 QTY 2
 No. 27 QTY 2

IMPORTANT: Pre-drill before fixing screws.

- a** On the Door sides (**No.1**) locate Window strips (**No.24**) onto either side of the panel, and Window Strip (**No.27**) along the top of the panel, ensuring to trap the styrene. Fix in place using 3x30mm screw per strip.
- b** On the Small Window Side (**No.2**) locate Window strips (**No.24**) onto either side of the panel and where the styrene joins and Window Strip (**No.26**) along the top of the panel, ensuring to trap the styrene. Fix in place using 3x30mm screw per side strip and 4x30mm screws for the top strip.

Note: Ensure the window strips do not overhang the panel framing.

44x30mm screws.



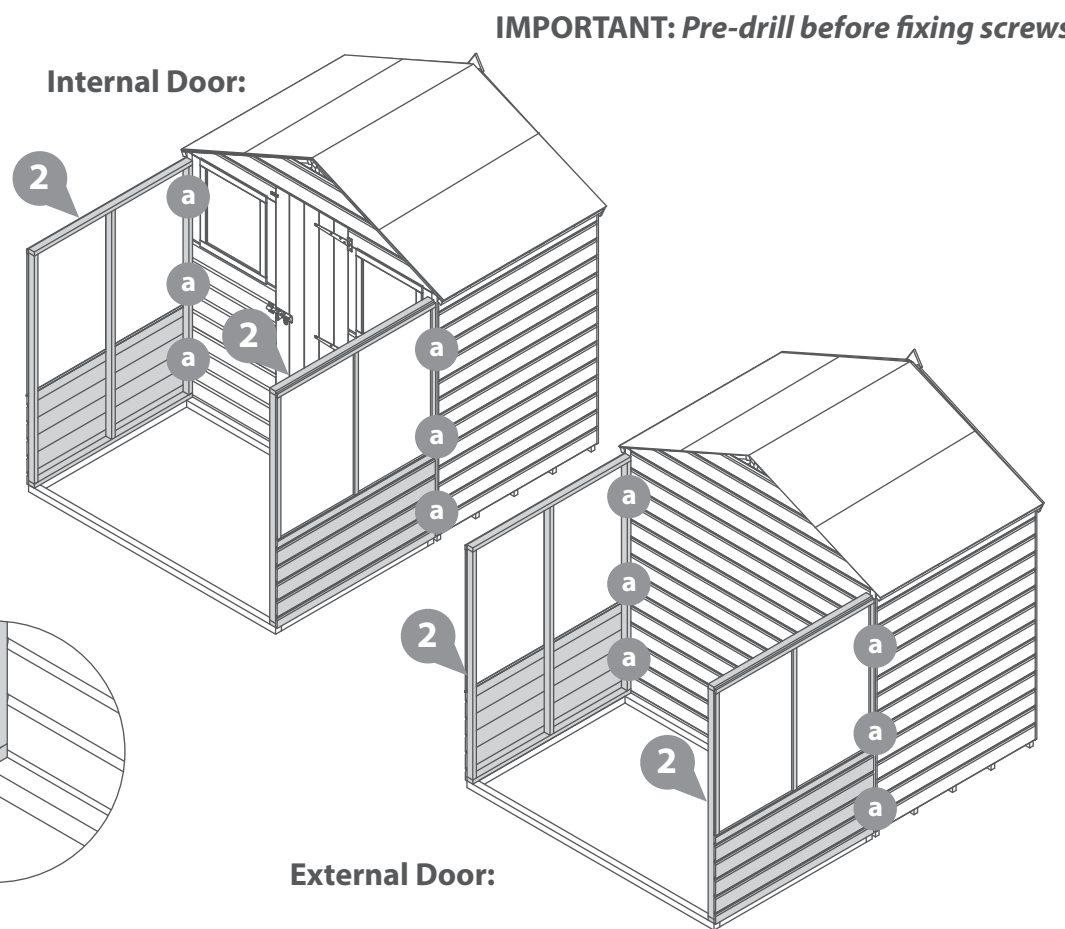
Step 4a
Parts needed - No. 2 QTY 2

Locate two Small Window Sides (No.2) on top of the bearers and flush up to the shed.

Secure the panels to the shed by screwing through the framing using 3x50mm screws per side.

DO NOT fix the panels to the floor until the roof has been fitted.

6x50mm screws.



IMPORTANT: Pre-drill before fixing screws.

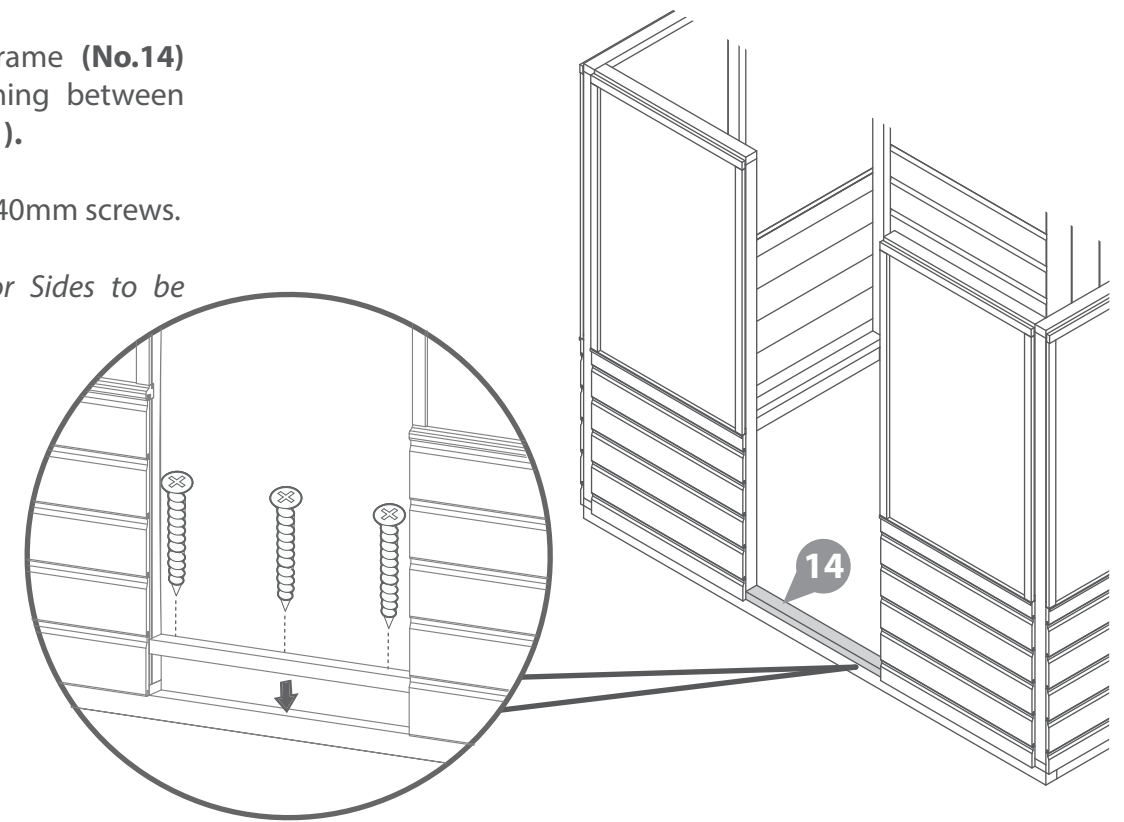
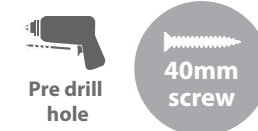
Step 6a
Parts needed - No. 14 QTY 1

Locate the Door Frame (No.14) onto the base framing between the Door Sides (No.1).

Fix in place using 3x40mm screws.

This allows the Door Sides to be correctly spaced.

3x40mm screws.



IMPORTANT: Pre-drill before fixing screws.

Step 5a
Parts needed - No. 1 QTY 2

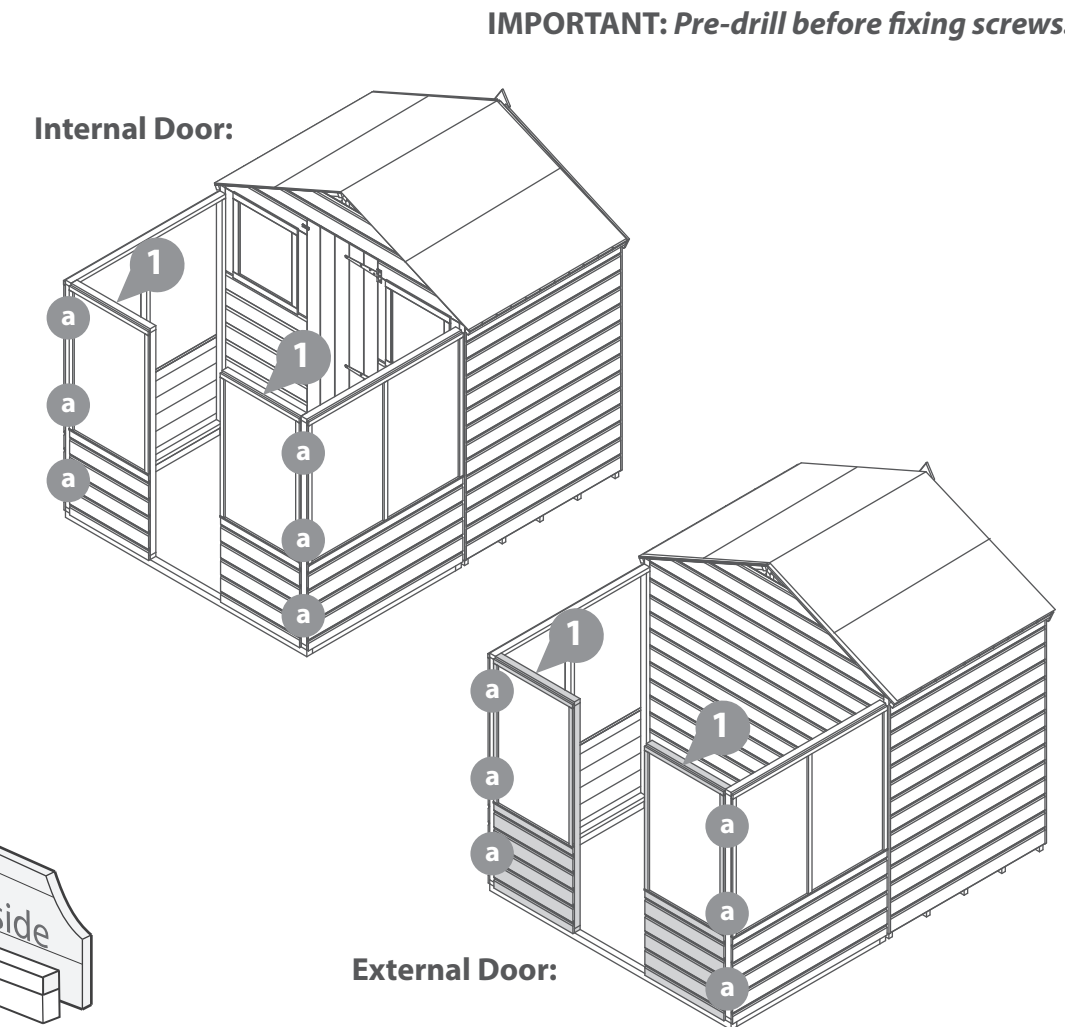
Locate two Door Sides (No.1) on top of the bearers and flush to the Small Window sides.

Please note: the Door sides will sit inside the Window Sides.

Secure the panels to the Window Sides by screwing through the framing at the corners using 3x50mm screws per side.

DO NOT fix the panels to the floor until the roof has been fitted.

6x50mm screws.



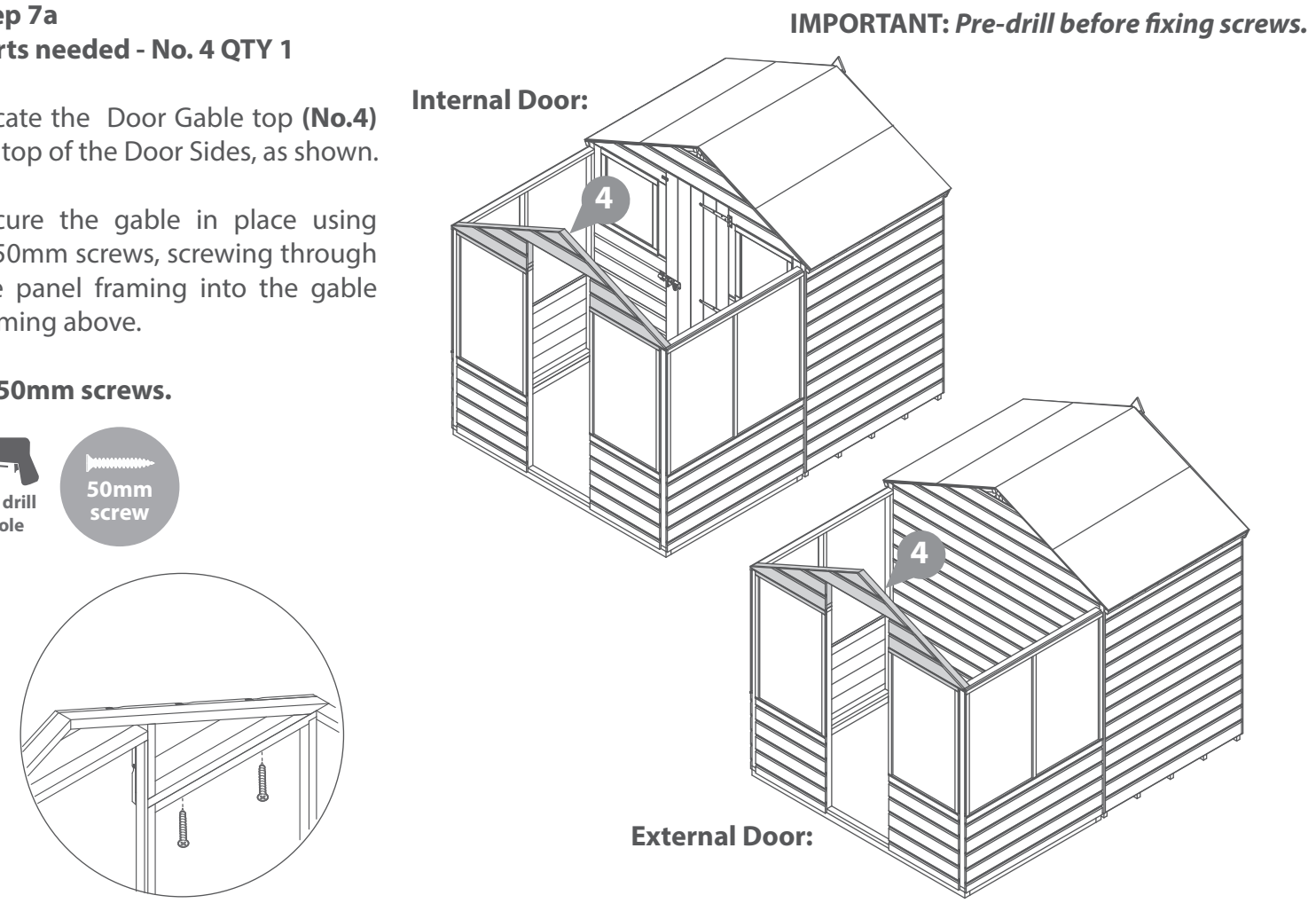
IMPORTANT: Pre-drill before fixing screws.

Step 7a
Parts needed - No. 4 QTY 1

Locate the Door Gable top (No.4) on top of the Door Sides, as shown.

Secure the gable in place using 4x50mm screws, screwing through the panel framing into the gable framing above.

4x50mm screws.



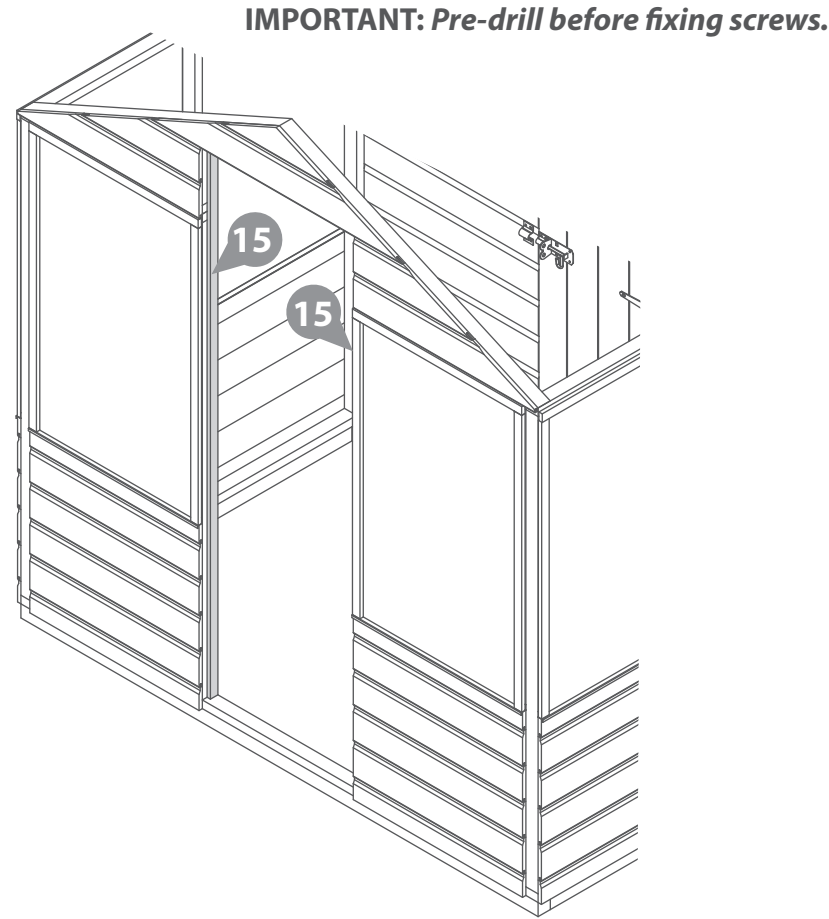
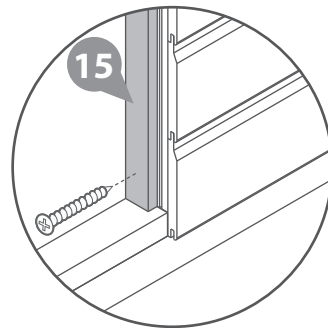
IMPORTANT: Pre-drill before fixing screws.

Step 8a
Parts needed - No. 15 QTY 2

Locate the two Door strips (No. 15) to either side of the door opening, ensuring the Strips are flush with the internal framing of the panel, as shown.

Fix in place using 3x30mm screws per strip.

6x30mm Screws.

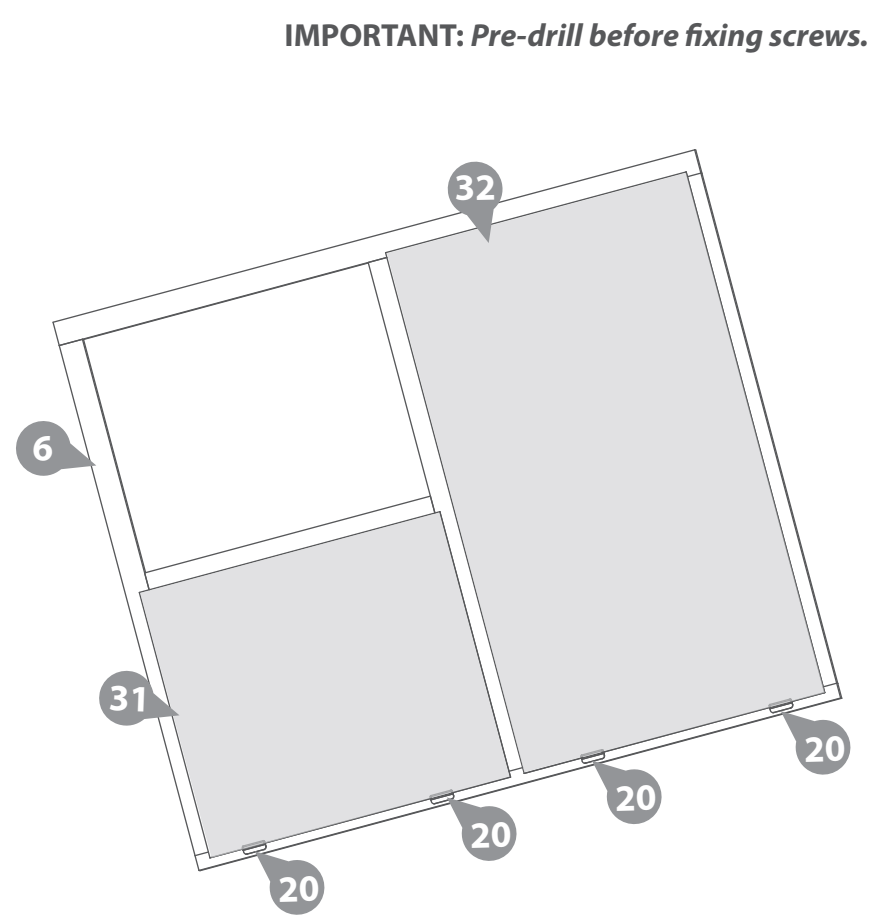
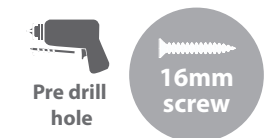


Step 10a
Parts needed - No. 6 QTY 1
No. 20 QTY 4
No. 31 QTY 1
No. 32 QTY 1

Lay the roof panel (No. 6) down ensuring the thinner edge of the frame is at the bottom. Place the styrene sheets (No. 31 & 32) in position as shown.

Fix in place using two Window Glazing beads (No. 20) per Styrene sheet. Screw down through the bead into the framing below using 2x16mm screws per bead.

8x16mm Screws.

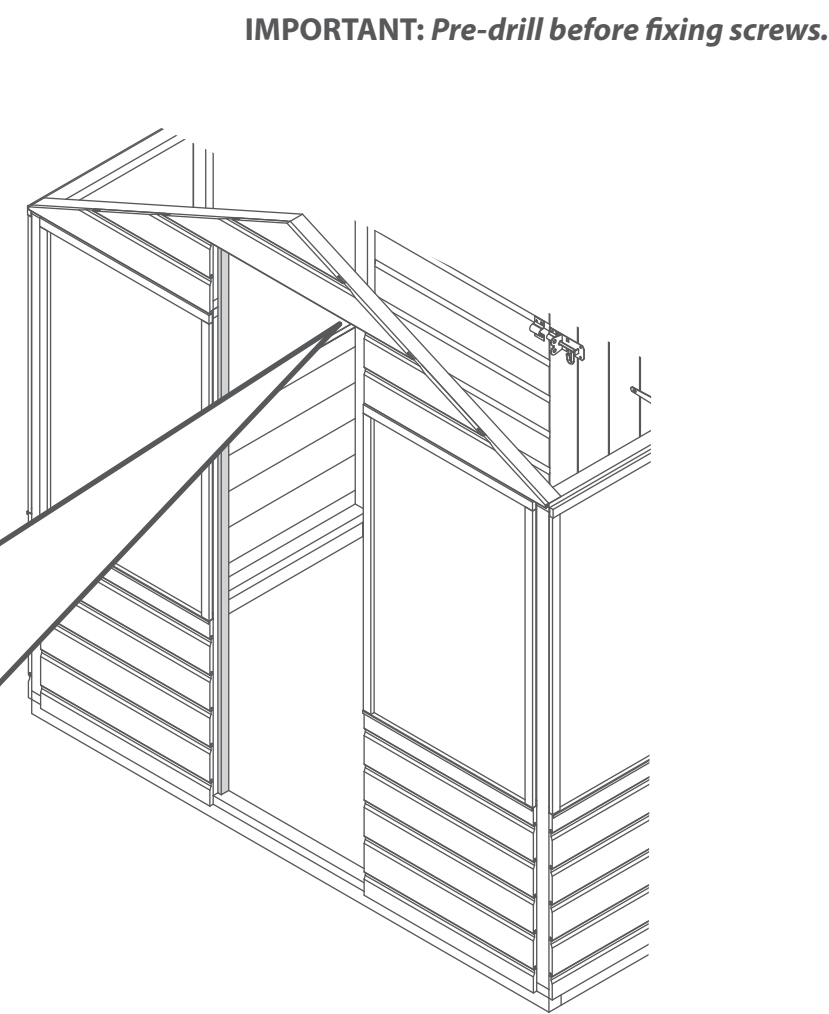
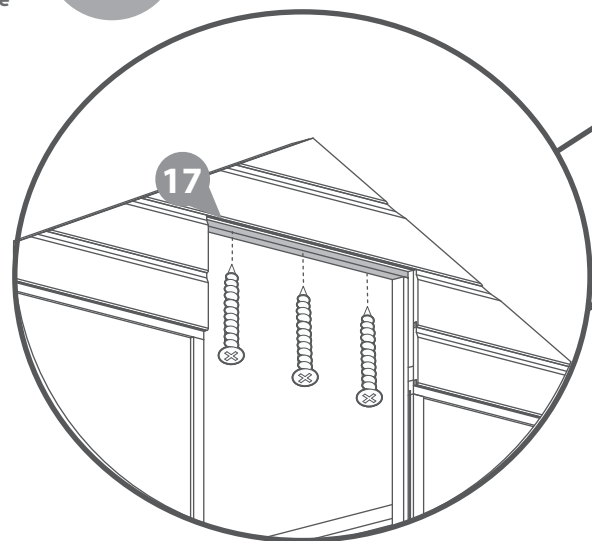


Step 9a
Parts needed - No. 17 QTY 1

Locate the Short Door strip (No. 17) to the top of the door opening.

Fix in place using 3x30mm screws.

3x30mm Screws.

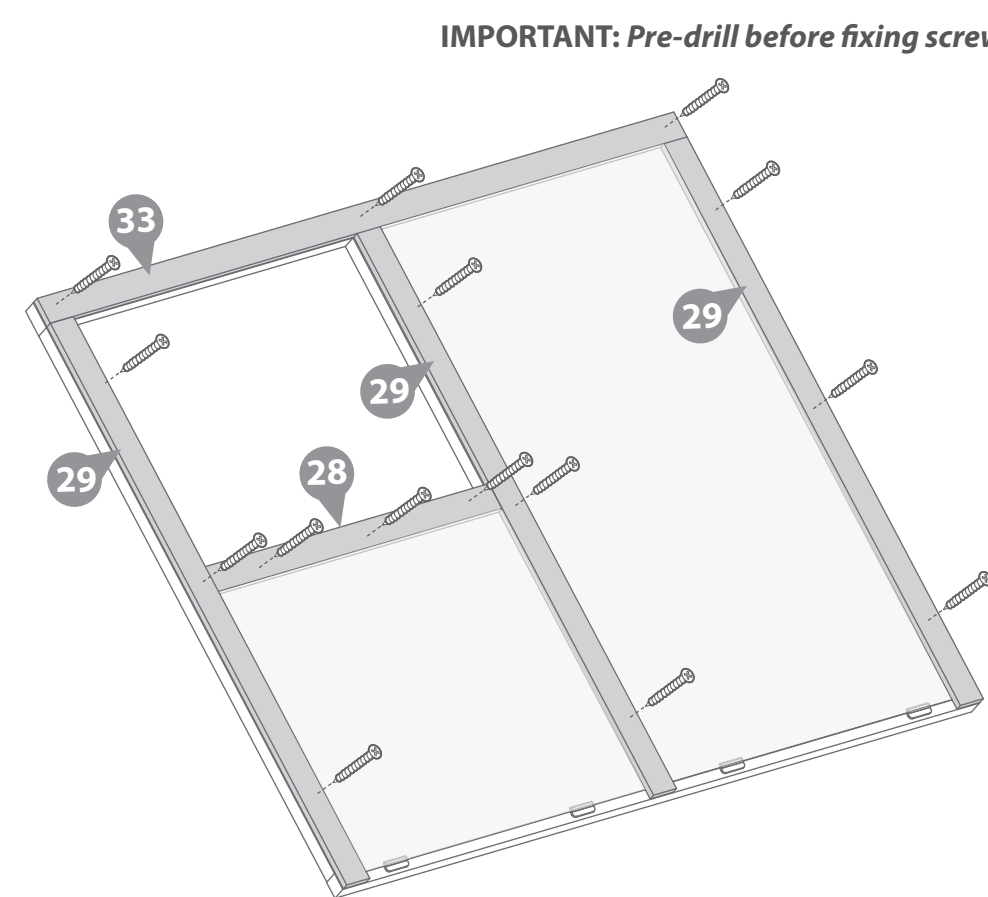


Step 11a
Parts needed - No. 28 QTY 1
No. 29 QTY 3
No. 33 QTY 1

Locate the strips (No 28, 29, & 33) onto the top of the Roof panel, ensure to trap the styrene and that the framing is flush to the edge of the panel and each strip, as shown.

Fix the strips in place using 3x30mm screws per strip. Ensure you screw to the side of the styrene not through it.

15x30mm Screws.



Step 12a

Parts needed - No. 9 QTY 1
 No. 18 QTY 2
 No. 37 QTY 1

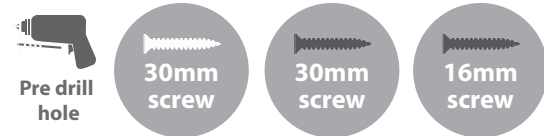
Locate the Opening Window (No.9) into the Window aperture, ensuring equal spacing on all sides.

Locate the strip (No.37) onto the window panel above the Window (No.9) and fix in place with 4x30mm screws.

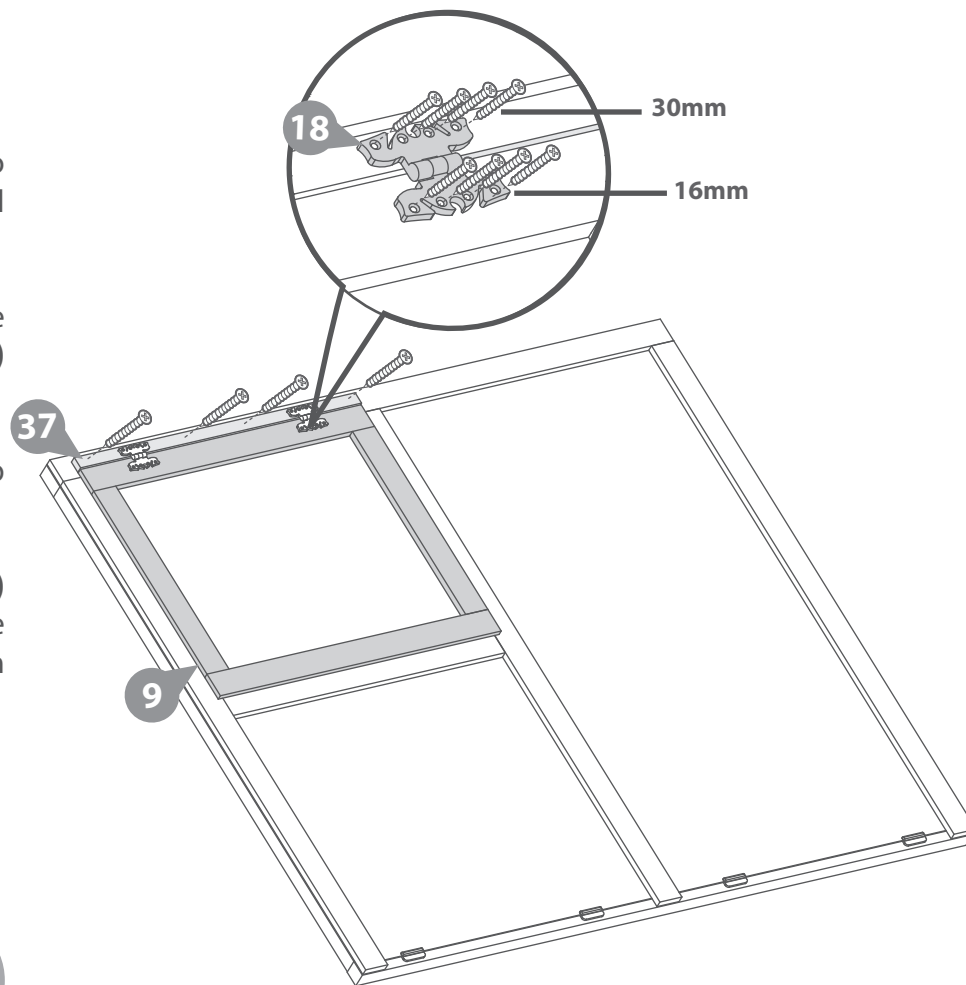
Locate the Hinges (No.18) onto the Strip (No.37) and Window (No.9), as shown.

Secure the hinges to the Strip (No.37) using 4x30mm black screws per hinge and to the Window (No.9) using 4x16mm screw per hinge, as shown.

4x30mm Screws.
 8x30mm Black Screws.
 8x16mm Black Screws.



IMPORTANT: Pre-drill before fixing screws.



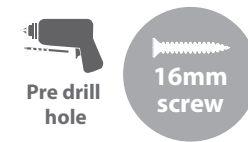
Step 13a

Parts needed - No. 7 QTY 1
 No. 20 QTY 4
 No. 32 QTY 2

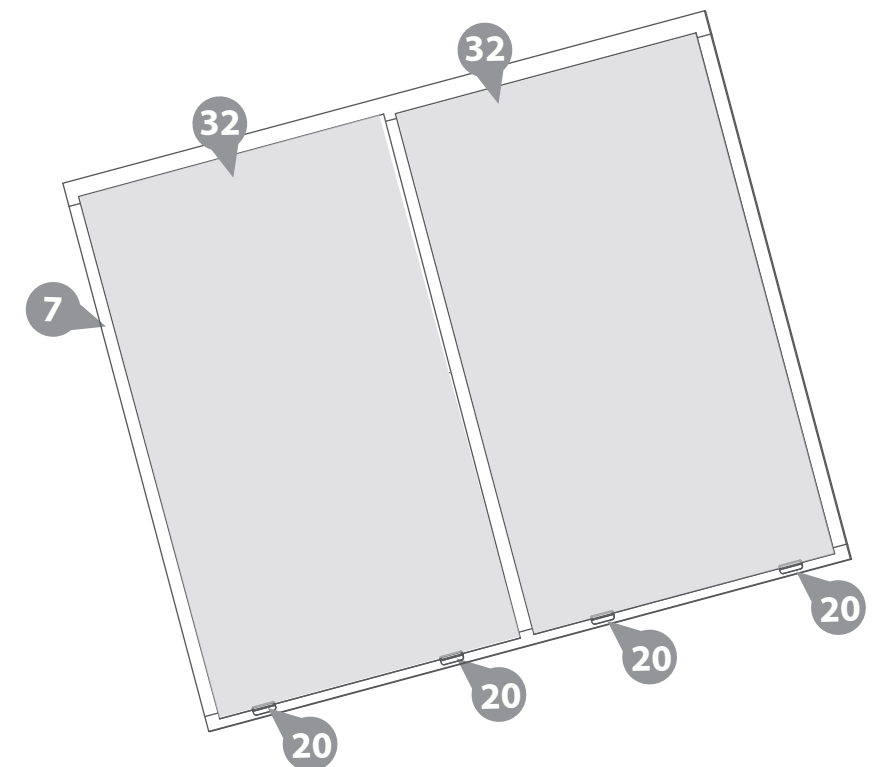
Lay the Roof Panel (No. 7) down ensuring the thinner edge of the frame is at the bottom. Place the styrene sheets (No.32) in position as shown.

Fix in place using two Window Glazing beads (No. 20) per Styrene sheet. Screw down through the bead into the framing below using 2x16mm screws per bead.

8x16mm Screws.



IMPORTANT: Pre-drill before fixing screws.



Step 14a

Parts needed - No. 29 QTY 3
 No. 33 QTY 1

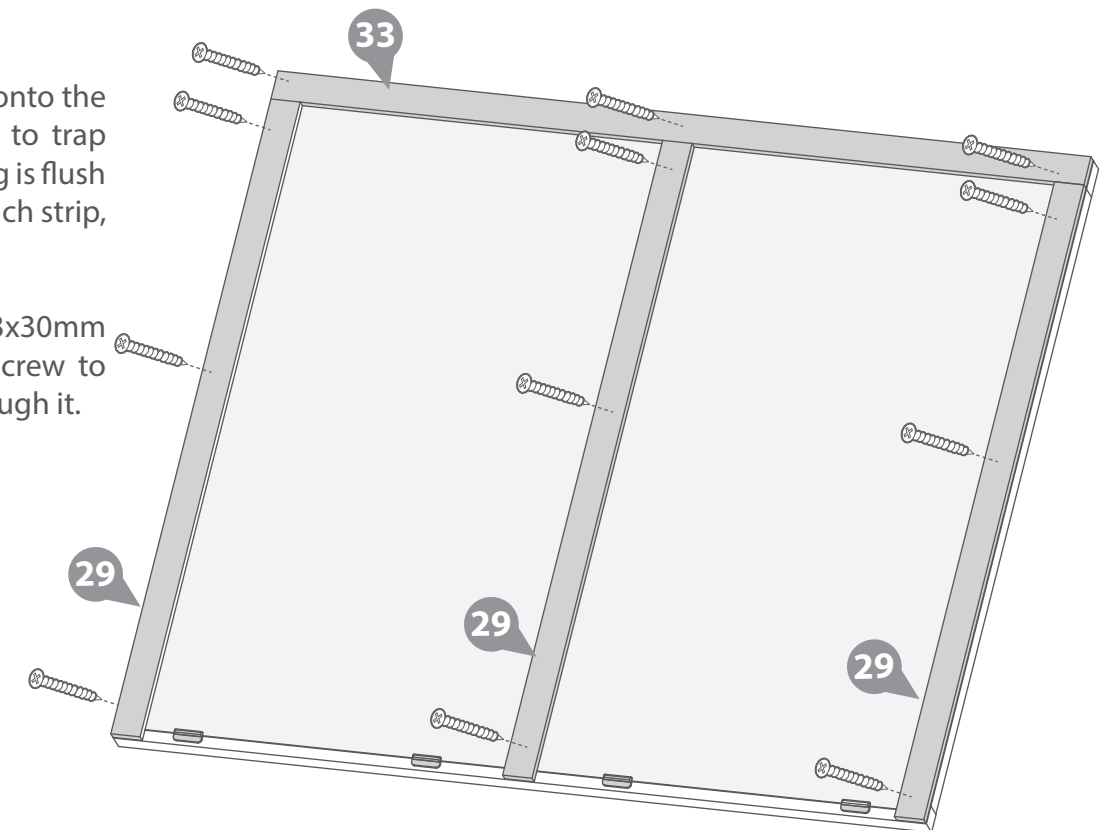
Locate the strips (No 29 & 33) onto the top of the Roof panel, ensure to trap the styrene and that the framing is flush to the edge of the panel and each strip, as shown.

Fix the strips in place using 3x30mm screws per strip. Ensure you screw to the side of the styrene not through it.

12x30mm Screws.



IMPORTANT: Pre-drill before fixing screws.

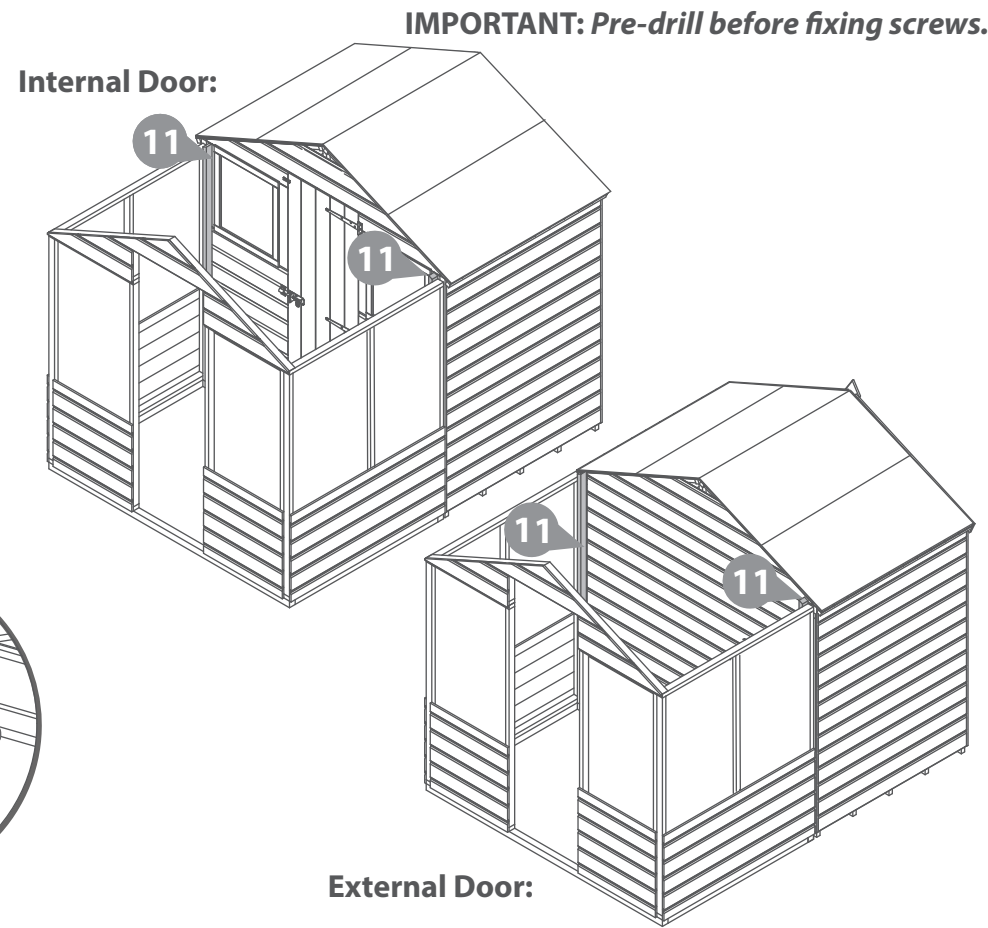
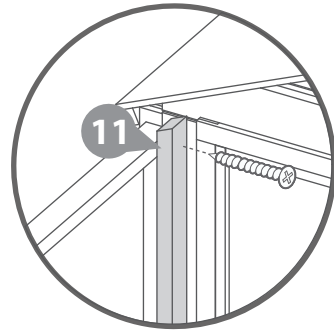


Step 15a
Parts needed - FROM SHED CONTENTS
No. 11 QTY 2

Place the greenhouse roof frames (No.11) against each window panel, ensuring the framing is flush to the shed and window frame.

Secure in place using 3x50mm screws per frame, ensuring to screw into each panel.

6x50mm Screws



IMPORTANT: Pre-drill before fixing screws.

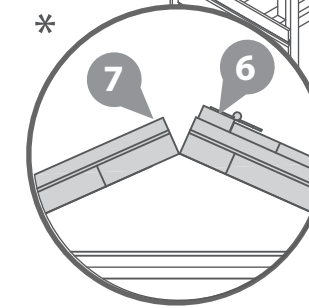
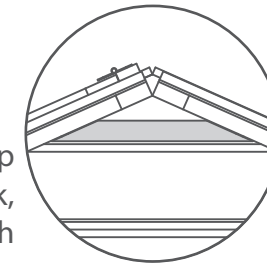
Step 17a
Parts needed - No. 6 QTY 1
No. 7 QTY 1

Place the Roof panels (No. 6 & 7) on top of the door gable and the Roof Block, making sure the roofs are flush to each gable and meet at the top of the apex.

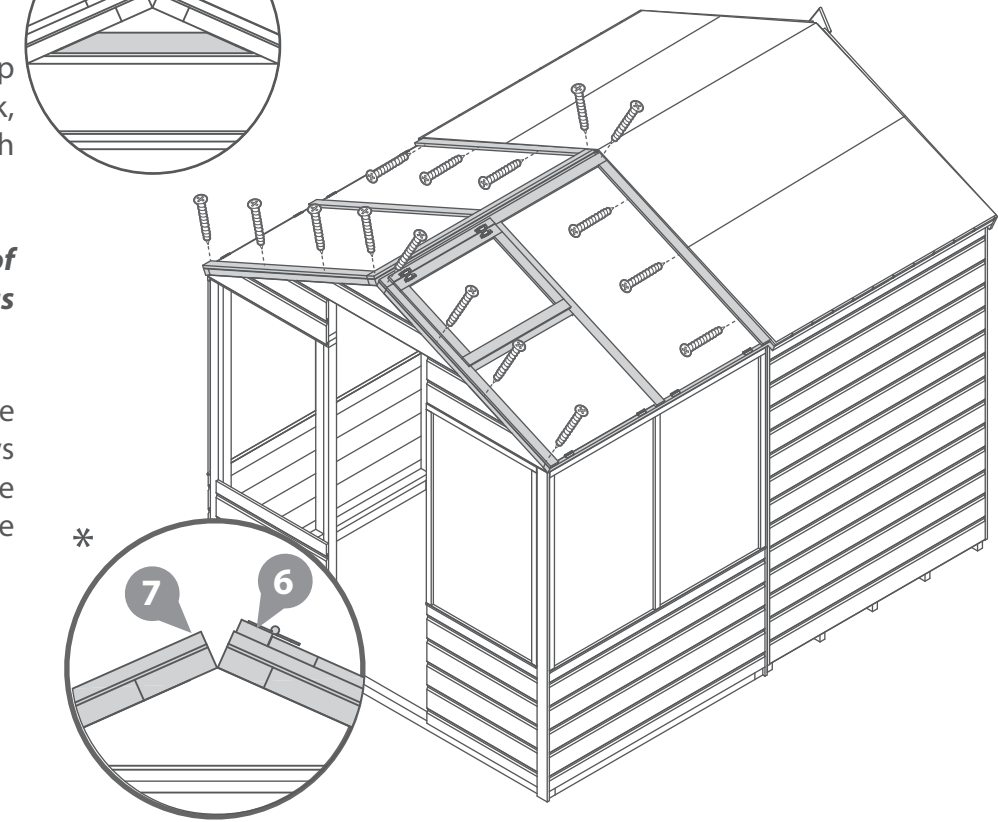
***IMPORTANT: Ensure both roof sections meet at the top of the apex as shown in the illustration.**

Secure the roof panels to the front gable and Roof Block using 5x50mm screws per roof panel. Internally, secure the Roof panels to the shed door gable using 3x50mm screws per panel.

16x50mm Screws.



IMPORTANT: Pre-drill before fixing screws.



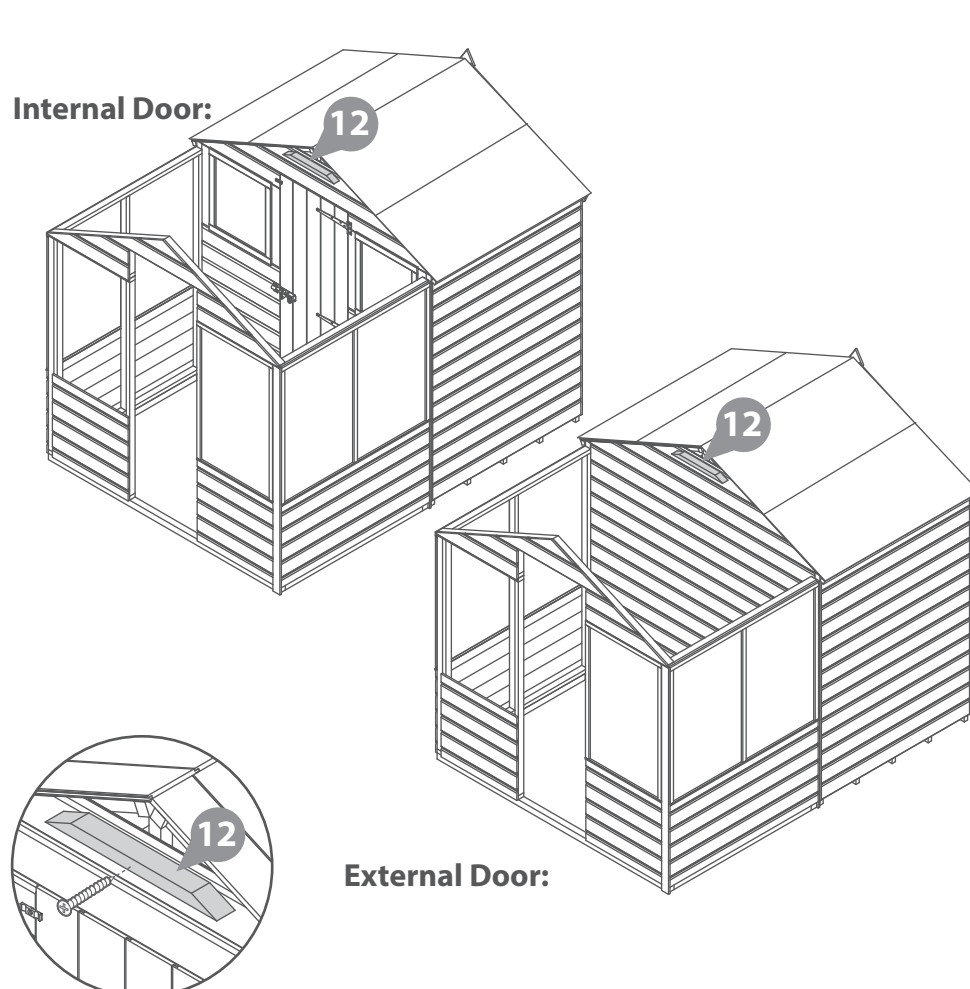
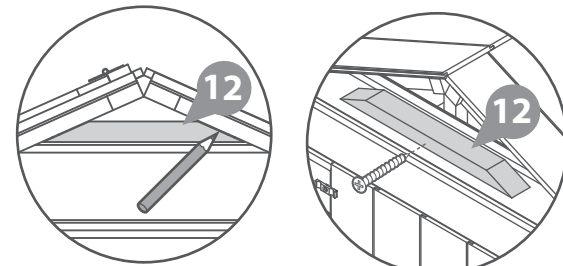
Step 16a
Parts needed - FROM SHED CONTENTS
No. 12 QTY 1

Temporarily position the assembled Roofs Panels (No. 6 & 7) onto the building, making sure they are flush to the gables and meet at the top of the Apex.

Using the Roof Panels as a guide, mark the position for the roof block at the top of the shed door gable.

Once marked, remove the Roof Panels and secure the block to the shed gable using 1x70mm screw, making sure to secure through the block into the central upright on the door gable.

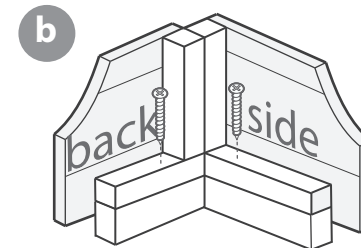
1x70mm Screws



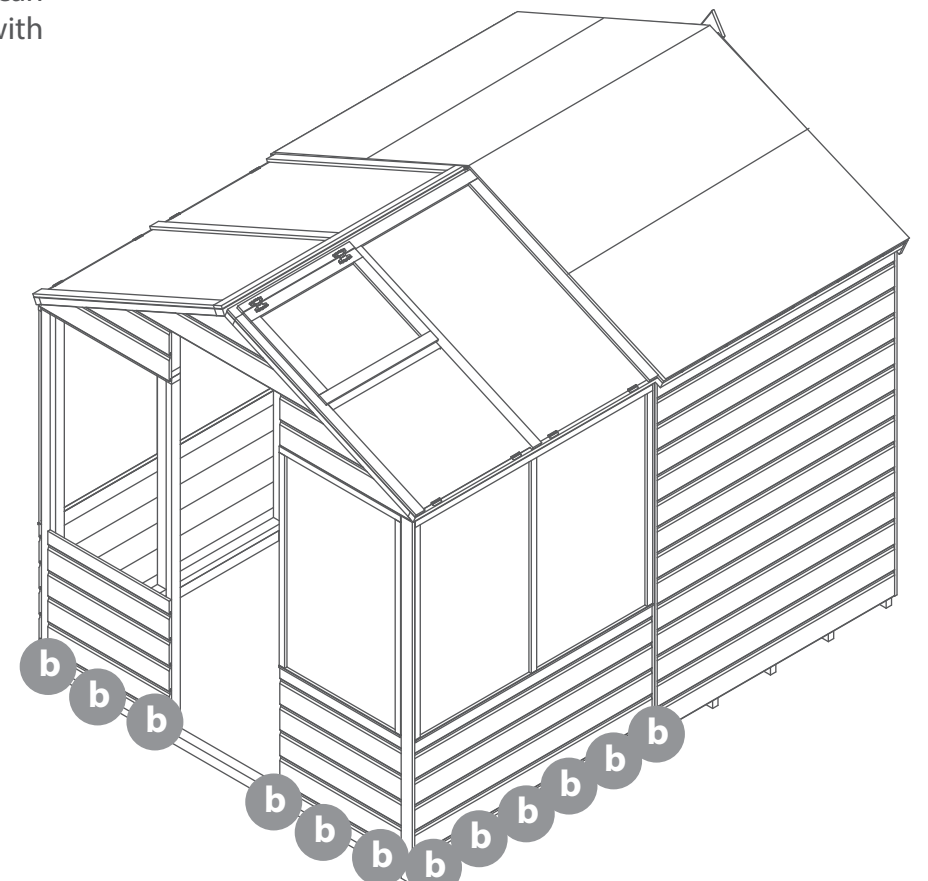
Step 18a

Once the roof is secure, the building can be secured to the base framing with 6x50mm screws per side.

18x50mm Screws.



IMPORTANT: Pre-drill before fixing screws.



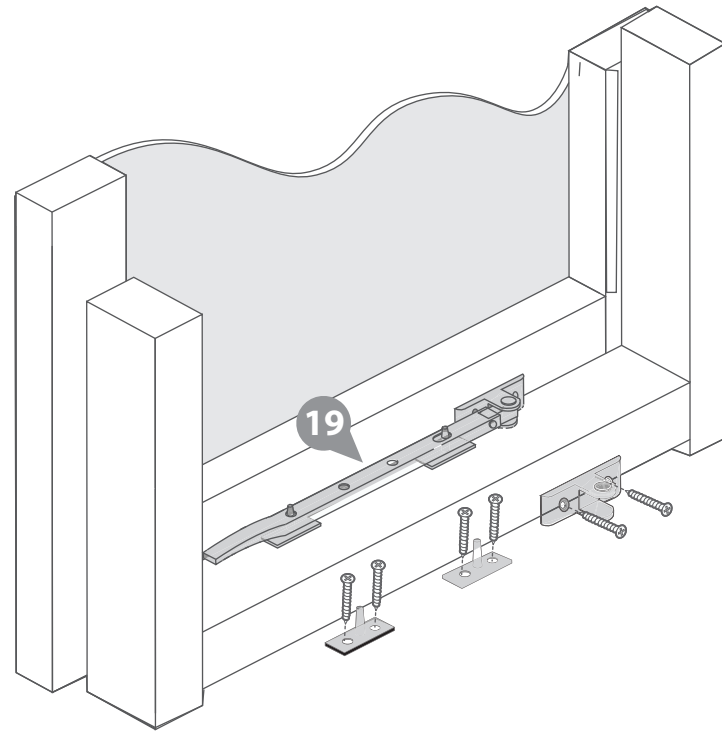
Step 19a
Parts needed - No. 19 QTY 1

Fix the Casement stay (No. 19) to the opening window then align the fixings onto the window panel frame. Ensure the casement stay fits onto fixings when closed before screwing them down using 6x20mm screws.

6x20mm Screws.



IMPORTANT: Pre-drill before fixing screws.



Step 21a
Parts needed - No. 8 QTY 1
No. 18 QTY 2
No. 22 QTY 2
No. 23 QTY 2

IMPORTANT: Pre-drill before fixing screws.

- a** Locate the Door (No. 8) into Door opening ensuring there is equal spacing on all sides.
- b** Fix the door (No. 8) to the building using 16x30mm black screws per hinge (No. 18) as shown in the diagram.
- c** Locate the Door Knob (No. 22) onto the door (No.8). Secure in place by screwing through the door, internally, and into the door knob using 1x50mm screw.
- d** Locate one Turn Button (No. 23) to the top of the door and one to the bottom. Fix to the Door Side using 2x30mm black screws.

18x30mm Black Screws.
1x50mm screw.



Step 20a
Parts needed - No. 13 QTY 1

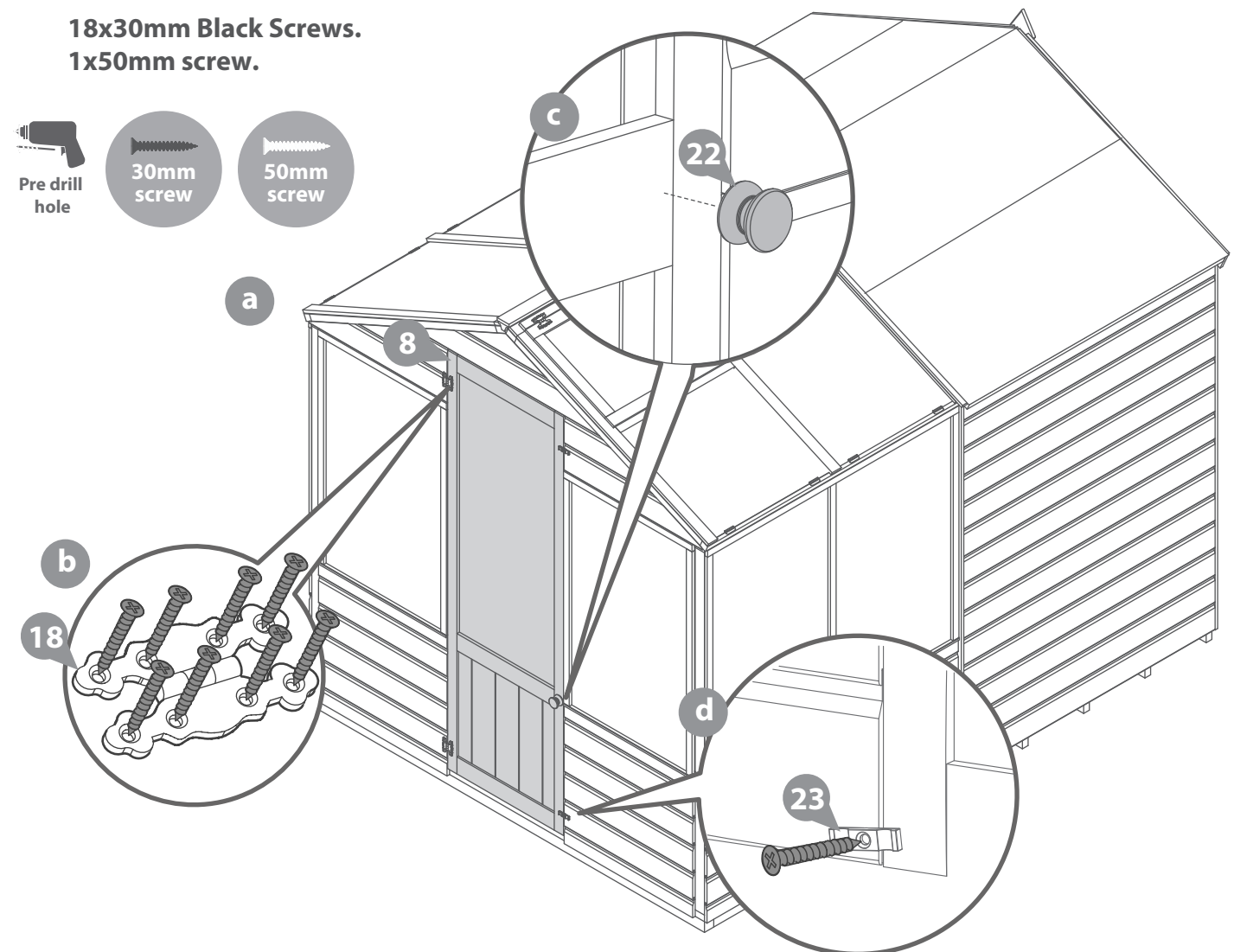
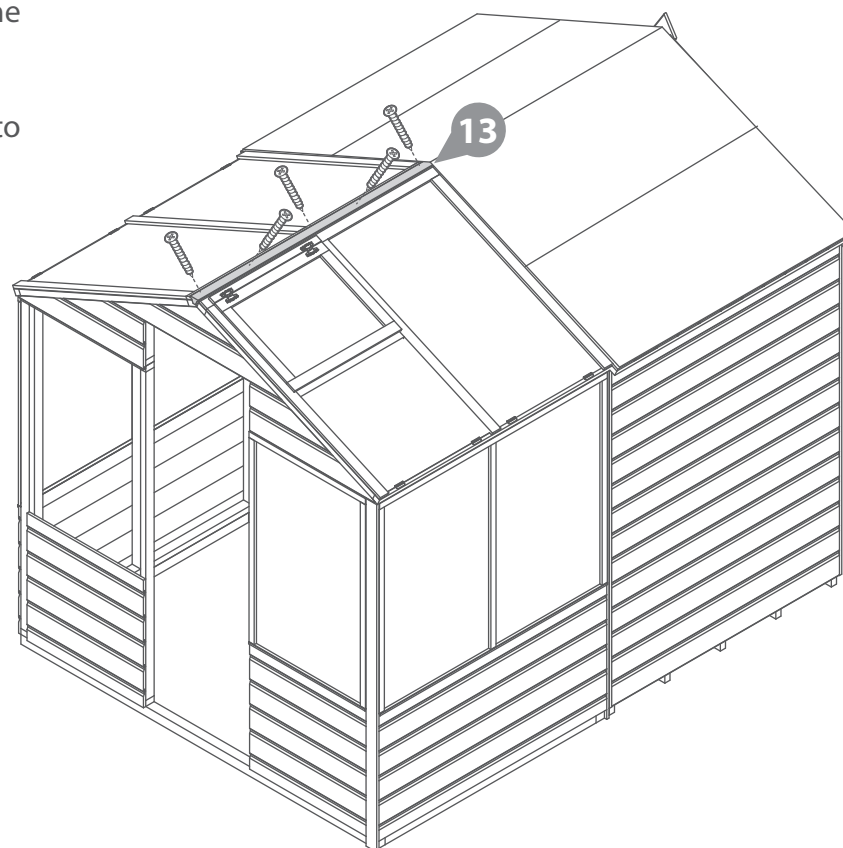
Attach the Roof Support bar (No. 13) to the roof panels using 5x40mm screws.

Screw diagonally through the support into the roof panel as shown in the diagram.

5x40mm Screws.



IMPORTANT: Pre-drill before fixing screws.

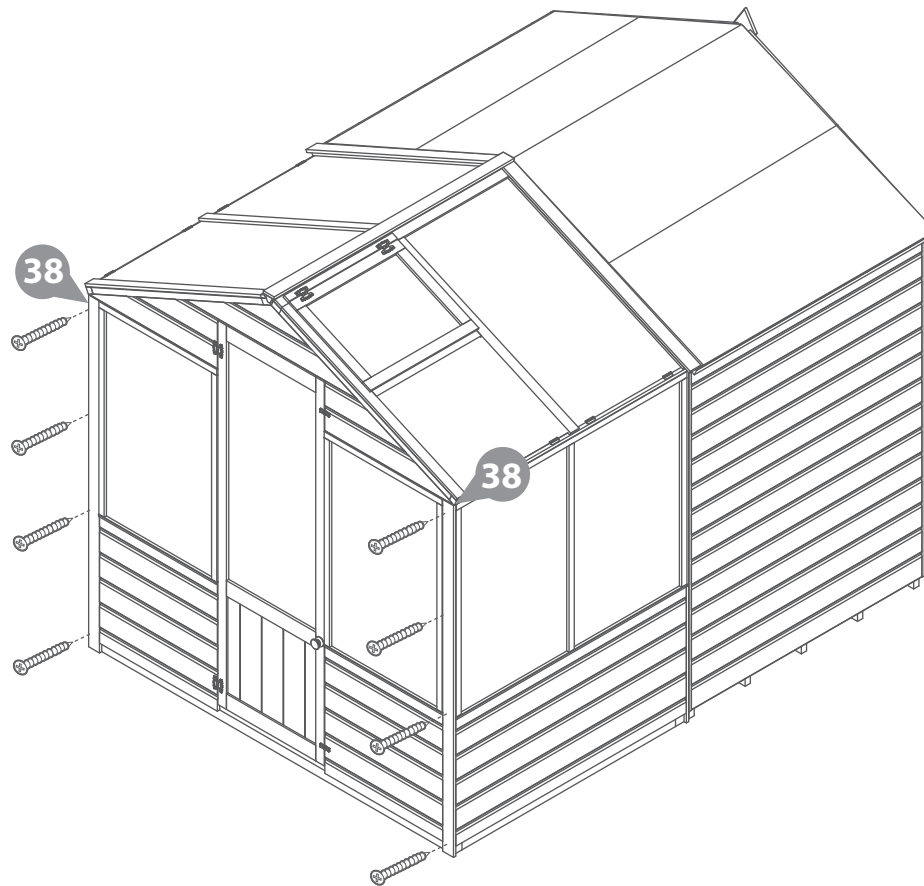
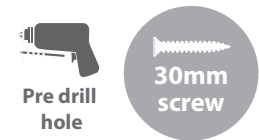


Step 22a
Parts needed - No. 38 QTY 2

Locate the Corner Trims (No.38) onto the two front corners of the greenhouse, as shown.

Fix in place using 4x30mm screws per trim.

8x30mm Screws

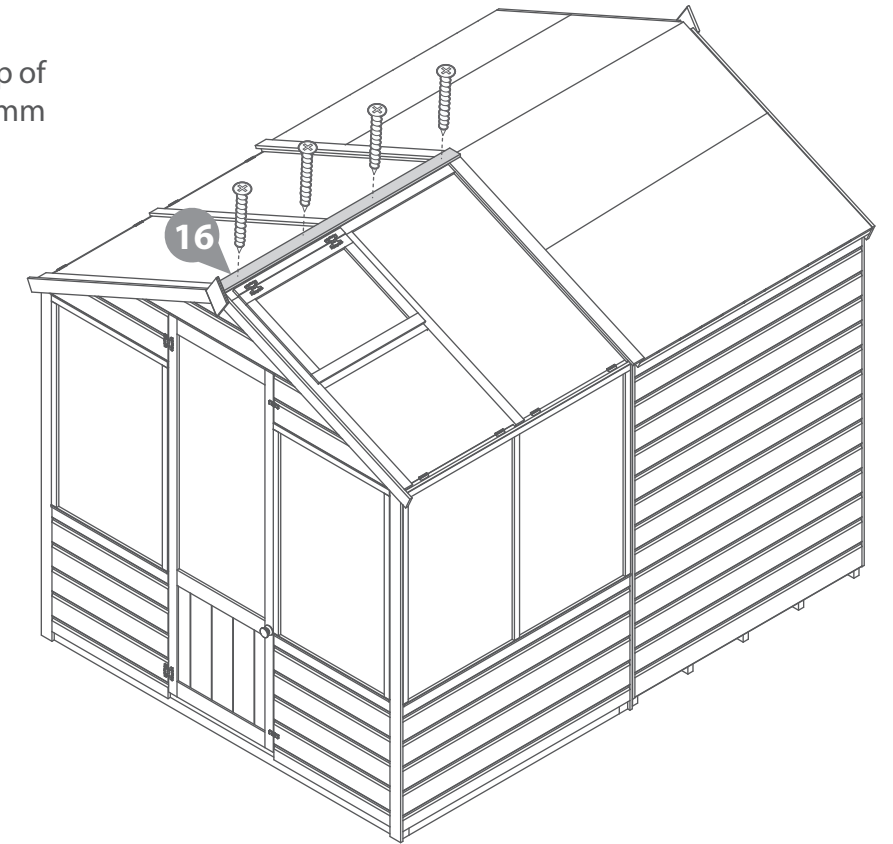
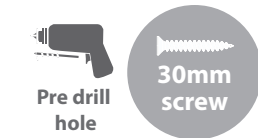


IMPORTANT: Pre-drill before fixing screws.

Step 24a
Parts needed - No. 16 QTY 1

Locate the Roof trim (No.16) to the top of the building and secure with 4x30mm screws as shown.

4x30mm Screws



IMPORTANT: Pre-drill before fixing screws.

Step 23a
Parts needed - No. 10 QTY 4
No. 21 QTY 2

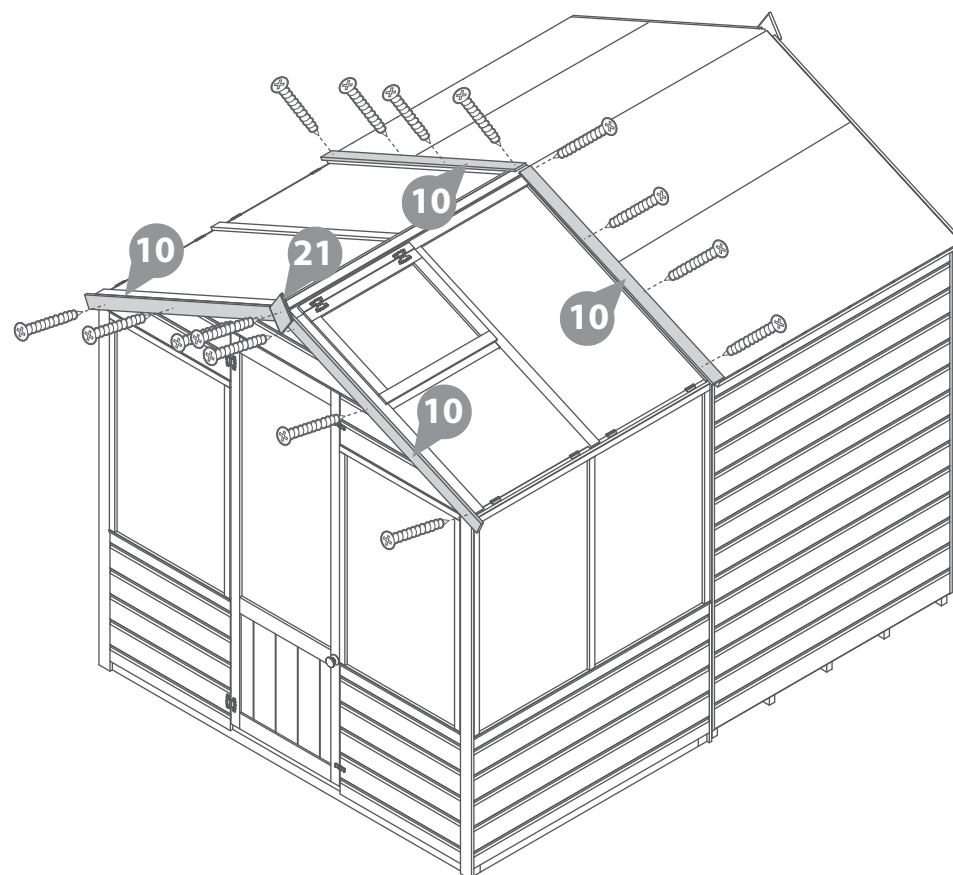
Locate two Fascias (No. 10) to the front of the Greenhouse as shown. Secure in place using 3x30mm screws per Fascia.

Locate the finials (No. 21) on top of the Fascias (No. 10) and fix in place using 1x30mm screw per Finial.

Position the remaining two Fascias (No. 10) across the joint of the two roofs.

Fix in place using 4x30mm screws, ensuring to screw through to both the shed and greenhouse roofs in an alternating pattern.

15x30mm Screws

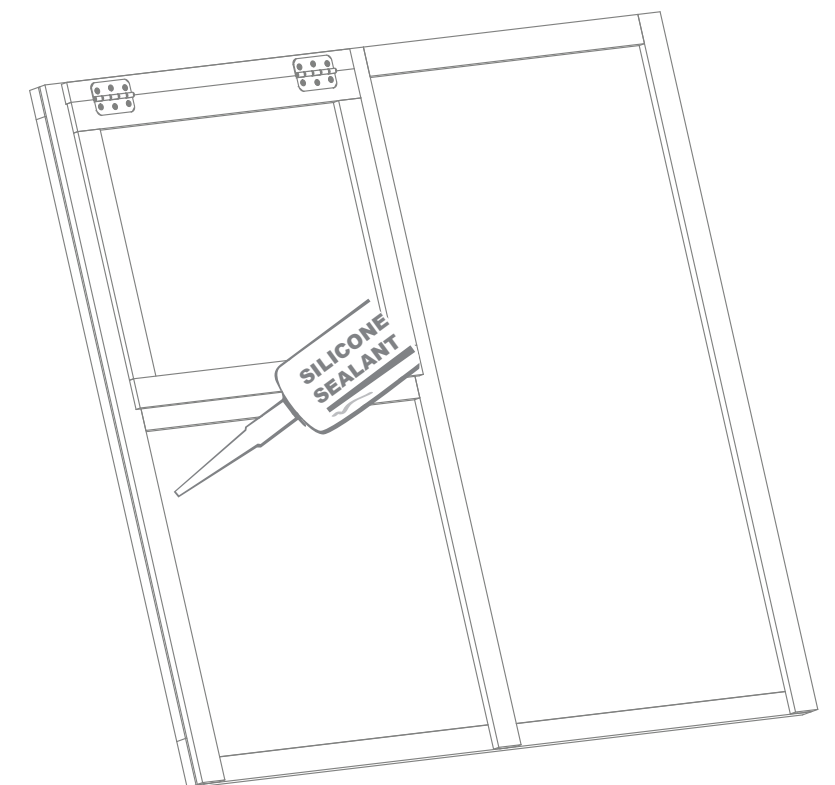


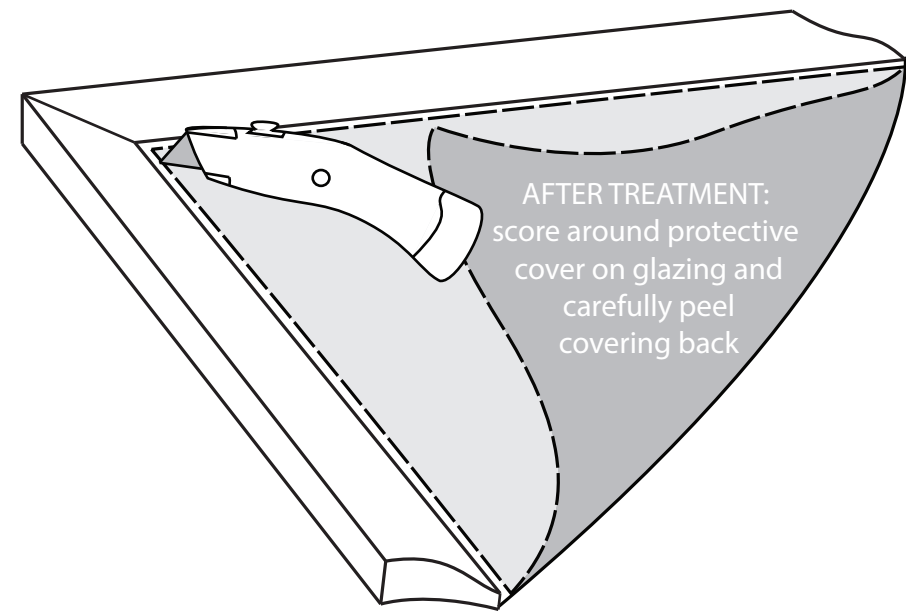
IMPORTANT: Pre-drill before fixing screws.

Step 25a

It is **ESSENTIAL** to seal around all window framing with silicone sealant (**not included**) to minimise water ingress.

**Please note: This image is for illustrative purposes and may differ from your product (in regards to the number of windows) however the principle is the same.*





TREATING YOUR GARDEN BUILDING

Preservation of wood that's outdoors is vital. A little early care will help protect your garden building, improve its appearance and ensure maximum longevity. Insects, moisture, salt, and changing weather can have dramatic effects on the stability and appearance of your garden building. Once your building is installed, you've checked it over and you're happy with it, you can take a few basic precautions to prepare it for the elements. Treating your garden building helps prevent decay and, by repelling water, discourages the growth of moulds and fungi that could jeopardise the structural integrity of the wood.

Dip Treated buildings - Require a preservative treatment to protect against rot and decay and a waterproof treatment to prevent water ingress
Pressure Treated buildings - Require a waterproof treatment to prevent water ingress
Log Cabins/Insulated Garden Rooms - Are supplied untreated and require a preservative and waterproofing treatment.



ANY QUESTIONS?
CONTACT US ON
01636 821215

To apply a preservative and water proofing treatment (pressure treated products do not require a preserver), follow the manufacturer's instructions but in principle, stick to the following steps:

- ✓ Wear latex or rubber gloves, eye protection and (if spraying) a mask.
- ✓ Prepare the wood, by sanding down any ridges or inconsistencies in the wood, smoothing out knots and end-cuts.
- ✓ Choose a dry day to treat your garden building. If you're spraying rather than brushing paint on, avoid a windy day.
- ✓ Be sure you can safely reach all the sections you need to paint - and if you need a ladder, make sure it's safely positioned before climbing. Lay dust sheets around to avoid paint splatters on your base or surrounding plants.

- ✓ Tape around windowpanes to avoid smears when you're painting the frames.
- ✓ Keep pets and small children out of the way. The last thing you want is to have fur on your garden building paint, or little painted footprints all over your garden and home.
- ✓ Fill any gaps in the building's body with caulk or wood filler to prevent water and draughts getting in. Silicone based caulk is flexible and will move with the timber when temperature and humidity change. Allow to dry completely before treating. A handy tip for finding gaps is to go into your garden building and look for light leaking through joins and frames. If light gets in, then so will water.
- ✓ Liberally apply at least two coats of the treatment products with a brush or spray, taking care to allow the first coat to completely dry before applying the second.
- ✓ Make sure the solution permeates the whole of the surface area, especially around natural cracks, end cuts and nail/screw holes.



APPLY WOOD TREATMENT
IMMEDIATELY
AFTER ASSEMBLY

PLEASE SCAN HERE TO
SEE TREATMENT VIDEO:



1 Perimeter

Check around the perimeter of your product to ensure there are not trees or plants that are in contact with or overhanging the building. This can affect airflow and overhanging trees, or branches can damage the roof, it is advised to keep plants at a distance.

2 Repair

Inspect the interior and exterior of the product to look for splits, cracks, and holes. Although this is a natural occurrence it can be prevented. A wood filler can be used to close the splits, cracks, and holes.

3 Roof

Check your roof regularly for tears, splits, damaged wood and fallen debris. If you notice any of this immediate repair is critical.

4 Doors & Windows

Expansion and contraction can cause doors and windows to stick or become difficult to open. Small adjustments to the hinge position can be made to the doors and windows to allow free movement.

5 Oil

Hinges can seize up over time, apply lubricant to the hinges and locks annually.

6 Screws & Bolts

It is advised to check all screws and bolts and tighten any loose you might find. For log cabins specifically the storm braces will require loosening. During humidity and temperature changes (seasons) to allow expansion and contraction to prevent gaping, twisting, popping, and warping.

7 Wash

At least once a year, give the outside of you building a good wash, to remove cobwebs, leaves, or any other dirt that may accumulate on the exterior.

8 Airing

Airing your product regularly prevents the build up of condensation which can cause the timber to rot and mould. Condensation can build up over time or daily, it is caused by a rise and fall in temperature. Leaving doors and windows open regularly can help combat the natural moisture build up.

9 Clean & Tidy

It is good practice to clean the inside and outside of your product regularly. Clear out the contents, sweep the floor, remove dirt and cobwebs. Check for areas of damp and investigate the cause to remove and prevent future occurrences. Check the ground around your product for build up of debris such as leaves, remove and ensure there is clear ventilation underneath the floor.

Additional Playhouse Maintenance:

It is recommended that the following checks and maintenance are carried out at the beginning of each season as well as at regular intervals during the usage season.

- Check all nuts /bolts/ screws for tightness and tighten when required.
- Check for movement / opening of wood giving rise to protrusion of nail heads and tips.
- Check hinges.
- Replace defective parts in accordance with the manufacturers instructions.
- Check any crossbeams, suspensions and anchors.
- If a swing is included; check the swing seat, chains and ropes.

IF THESE CHECKS ARE NOT CARRIED OUT THE ACTIVITY TOY COULD BECOME A HAZARD

All our garden buildings have been designed and manufactured with care and attention to be the perfect addition to your outdoor space. To ensure you do get the best out of your new garden building and to increase the longevity we advise that you follow the product instructions and our manufacturer's recommendations as detailed below. Thank you for choosing a Mercia Garden product!

1 Choosing the most suitable location for your garden building...

A minimum of 60cm should be left around the perimeter of your garden building to allow access for maintenance, annual treatment and to allow air flow around the building.

Where possible you should avoid placing your garden building underneath large trees to prevent the tree causing damage to the building.

2 Preparing the base for your garden building...

All our buildings must be built on a firm, level base to ensure the longevity of the building and prevent the wood from distorting. We recommend either concrete, concrete slabs or a wooden base, such as our 'Portabase'.

The base should be slightly smaller than the external measurement of the building, i.e. the cladding should overlap the base, creating a run off for water and preventing water from pooling underneath the building.

We also recommend that the floor of the garden building is a minimum of 25mm above the surrounding ground level to avoid flooding.

3 After installation...

Once your garden building has been installed, it will need to be treated within 14 days (weather permitting) and annually to prevent the timber from deteriorating and to waterproof it. This is required to maintain the anti-rot guarantee.

Dip Treated buildings - Require a preservative treatment to protect against rot and decay

and a waterproof treatment to prevent water ingress.

Pressure Treated buildings - Require a waterproof treatment to prevent water ingress.

Log Cabins/Insulated Garden Rooms - Are supplied untreated and require a preservative and waterproofing treatment.

We also recommend using a silicon sealant on the inside and outside of the windows as soon as possible after assembly and treatment to fully seal the windows.

Roofing felt/covering should be checked annually and replaced or fixed accordingly.

4 General maintenance and wood characteristics

As wood is a natural material it may be affected by the following:

Shrinkage and warping - The timber used in the construction of your garden building will have retained some of its natural moisture content. The moisture content of the timber will vary, depending upon prevailing environmental conditions, which will result in the components either naturally expanding or contracting. As the components dry out, shrinkage may occur. A good waterproofing treatment from the start is the best protection to minimise the effect of moisture loss/intake.

In extended periods of very warm weather getting some moisture to the building will help the overall balance. You can do this by spraying it down lightly with a garden hose. In contrast, after snow fall try to remove the snow as best as possible from the roof to prevent moisture intake and to remove the extra weight.

Top tip - using a garden brush will help you to reach the highest part of the building to remove snow and any debris left from bad weather.

Damp and mould - During the winter months, cold and damp conditions can result in an increased amount of moisture within your garden building, especially when used infrequently. Condensation can form on the timber and other items stored within your garden building. If left this moisture is likely to cause mould and mildew.

To prevent the build-up of moisture, we recommend leaving the door or windows of your building open from time to time, to allow the fresh air to circulate. We also advise against storing wet or damp items in your garden building as this will also increase the level of moisture in the building. If mould or mildew does start to form within your building we recommend using an anti-mould cleaner to remove it and to prevent it spreading, which if left untreated could permanently damage your garden building.

Splits, cracks and knots - You may notice small splits and cracks in some components or holes may appear where knots shrink and fall out. This will not affect the structure of your Garden building however, if you wish to fill them this can be easily done using any good quality wood filler.

Sap - is naturally occurring in wood and may appear in some boards of your garden building. If you wish to remove the sap, we advise waiting until it is dry and then using a sharp knife to carefully remove it. If the removal of the sap causes a hole in the timber, we recommend using a good quality wood filler to fill it.

For more handy hints and tips on how to care and maintain your garden building please refer to the MGP Customer Portal at www.mgplogistics.co.uk

Any further questions?

Contact our
Customer Service
Team on:
01636 821215

1

Manufacturer's Warranty

All Mercia Garden Products are supplied with a 1 year warranty on all parts against manufacturing defects.

This warranty does not cover movement, warping or splitting of timber products over time.

This warranty will be voided if any of the following occur:

1. The building has been customised or modified/adapted in any way.
2. The person claiming is not the original purchaser of the building.
3. Any damage has been caused by or as a result of misuse.
4. The building has not been maintained and cared for in accordance to our advisories and manufacturer's recommendations.
5. The building has not been treated annually or as per the manufacturer's recommendations, please ensure receipts are kept to validate this claim.
6. The building has not been erected, fitted or installed as per the supplier instructions.
7. The building has not been erected on a suitable sized firm flat, solid level concrete/slab base or placed on pressure treated bearers.
8. The building is or has been placed with 2 feet (600mm) of any obstructions (walls, trees, plants, fences etc.) which can allow moisture to penetrate the timber.
9. The roofing felt has been incorrectly fitted or damaged, allowing water ingress, or has not been properly maintained.
10. Any windows and joints have not been sealed, inside and out, with silicone or other watertight sealant.
11. Any timber has been cut, pierced or drilled without subsequent application of approved cut-end treatment.

2

Anti-rot Guarantee

Mercia Garden Products offer a 10 year anti-rot guarantee on all dip treated (a preparatory treatment) and 15 years on all pressure treated products. This guarantee covers solid timber against rot, decay, blue stain and insect attacks.

To validate the guarantee, the building must be treated (as detailed within manufacturer's recommendations) within 14 days (weather permitting) of assembly and annually thereafter.

This guarantee does not cover movement, warping or splitting of timber products over time.

This guarantee will be voided if any of the following occur:

1. The building has been customised or modified/adapted in any way.
2. The person claiming is not the original purchaser of the building.
3. Any damage is caused by or as a result of misuse.
4. The building has not been maintained and cared for in accordance to our advisories and manufacturer's recommendations.
5. The building has not been treated annually or as per the manufacturer's recommendations, please ensure receipts are kept to validate this claim.
6. The building has not been erected, fitted or installed as per the supplier instructions.
7. The building has not been erected on a suitable sized firm flat, solid level concrete/slab base or placed on pressure treated bearers.
8. The building is or has been placed with 600mm of any obstructions (walls, trees, plants, fences etc.) which can allow moisture to penetrate the timber.
9. The roofing felt has been incorrectly fitted or damaged allowing water ingress, or has not been properly maintained.
10. Any windows and joints have not been sealed, inside and out, with silicone or other watertight sealant.
11. Any timber has been cut, pierced or drilled without subsequent application of approved cut-end treatment.



REGISTER FOR YOUR
ANTI-ROT
GUARANTEE TODAY

PLEASE SCAN HERE:

