

03PTMBPN0406BR-V1
PRESSURE TREATED MATCHBOARD PENT 4X6 BAR.



x2 All buildings should be erected by two adults



Winter = High Moisture = Expansion
 Summer = Low Moisture = Contraction



2mm Drill bit

For ease of assembly, you **MUST** pilot drill all screw holes and ensure all screw heads are countersunk.



CAUTION
 Every effort has been made during the manufacturing process to eliminate the prospect of splinters on rough surfaces of the timber. You are strongly advised to wear gloves when working with or handling rough sawn timber.



For ease of assembly, you will need a tape measure to check dimensions of components.

Screws & Nails



Measure overall length

Bolts



Measure under the head

To identify the fixings required for each step use a measuring tape.

Pressure Treated Timber

Your building has been pressure treated.

Pressure treating is a chemical process which helps to protect wood against adverse weather which could lead to rot or insect damage.

The most common chemicals used to pressure treat wood are **Alkaline Copper Quaternary (ACQ)**, **Copper Azole (CA)**, and **Micronized Copper Quaternary (MCQ)**.

Safety: Always wear gloves, eye protection and a dust mask when handling wood. Due to chemicals in pressure treated wood, never burn its sawdust or scraps; instead dispose in a landfill.

REGISTER FOR YOUR ANTI-ROT GUARANTEE TODAY

PLEASE SCAN HERE:

In all instances for assistance with your product, please contact us via our customer portal: <https://www.mgplogistics.co.uk/>.

Mercia Garden Products Limited,
 Sutton On Trent,
 Newark,
 Nottinghamshire,
 NG23 6QN

BEFORE YOU START PLEASE READ INSTRUCTIONS CAREFULLY

- Check the pack and make sure you have all the items listed in the parts list provided.
- When you are ready to start, make sure you have the right tools at hand (not supplied - see the equipment list on next page).
- Ensure there is plenty of space and a clean dry area for assembly.
- Ensure you have enough time to build the product to ensure the building is water tight.

LOCATION FOR YOUR GARDEN BUILDING

A minimum of 600mm should be left around the perimeter of your garden building to allow access for maintenance, annual treatment and to allow air flow around the building.

Where possible you should avoid placing your garden building underneath large trees to prevent the tree causing damage to the building.

TIMBER

As with all natural materials, timber can be affected during various weather conditions. For the duration of heavy or extended periods of rain, swelling of the wood panels may occur. Warping of the wood may also occur during excessive dry spells due to an interior moisture loss. Unfortunately, these processes cannot be avoided but can be helped. It is suggested that the outdoor building is sprayed with water during extended periods of warm sunshine and sheltered as much as possible during rain or snow.

Once your garden building has been installed it will need to be treated within 14 days (weather permitting) and annually to prevent the timber from deteriorating and to waterproof it. This is required to maintain the anti-rot guarantee.

- Dip Treated buildings - Require a preservative treatment to protect against rot and decay and a waterproof treatment to prevent water ingress
- Pressure Treated buildings - Require a waterproof treatment to prevent water ingress
- Log Cabins/Insulated Garden Rooms - Are supplied untreated and require a preservative and waterproofing treatment.

BUILDING A BASE

When thinking about where the building and where the base is going to be constructed: Ensure that there will be access to all sides for maintenance work and annual treatment.

Ensure the base is level and is built on firm ground, to prevent distortion. Refer to diagrams for the base dimensions, The base should be slightly smaller than the external measurement of the building, i.e. The cladding should overlap the base, creating a run off for water. It is also recommended that the floor be at least 25mm above the surrounding ground level to avoid flooding.

TYPES OF BASE

- Concrete 75mm laid on top of 75mm hard-core.
- Slabs laid on 50mm of sharp sand.
- Wooden base.

Whilst all products manufactured are made to the highest standards of safety and in the case of children's products independently tested to EN71 level, we cannot accept responsibility for your safety whilst erecting or using this product.

TO DO LIST

- Find a suitable location to build *(see front cover for further information).*
- Build a base *(see front cover for further information).*
- Check the base is flat, level, clear of debris and has 60cm clearance on all sides.
- Check you have the required equipment.
- Check you have all the product items listed *(if you have missing or damaged parts please contact the customer services department, see front cover for contact details).*
- Install the product as per the step by step instructions within this pack.
- Prepare the product ready for treatment.
- Apply a preserving and a waterproofing treatment within 14 days *(weather permitting)* of installation *(pressure treated products do not require a preserver).*
- Register for your anti rot guarantee *(scan the QR below).*
- Tidy the build area and dispose of any remaining parts responsibly.
- Maintain your building *(see the manufacturers recommendations at the back of this pack).*

EQUIPMENT LIST

- Hammer
- Flat Head Screwdriver
- Drill
- Drill Bit Set
- Phillips and Slotted Bit Sets
- Tape Measure
- Hand Saw
- Spirit Level
- Ladders/Steps
- Stanley Knife/Cutting Tool
- Sand Paper
- Gloves
- Silicone (For Windows Only)
- Wood Filler (Optional)
- Timber Preservative Treatment *(not pressure treated products)*
- Timber Water Proofing Treatment
- Treatment Mixing Stick
- Paint Brush/Sprayer/Roller

NEED EXTRA SUPPORT

If you are unsure that your base preparation will be suitable, please contact us via our customer portal to discuss this further.

Alternatively, you can visit our website or MGP Logistics Online Portal for some further shededucation.

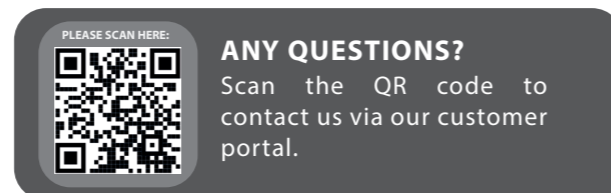
Website:

<https://www.merciagardenproducts.co.uk/sheducation>

MGP Logistics Online Portal:

<https://www.mgplogistics.co.uk/>

Here you will find plenty of useful information that'll help with most pre-installation and maintenance queries.

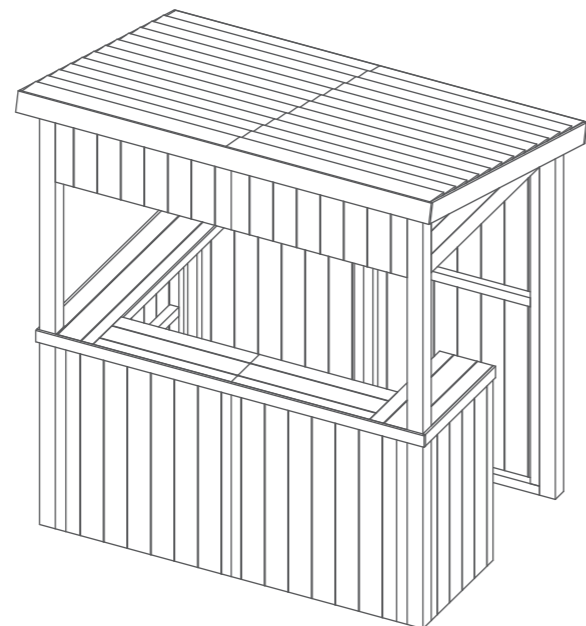


NOTES

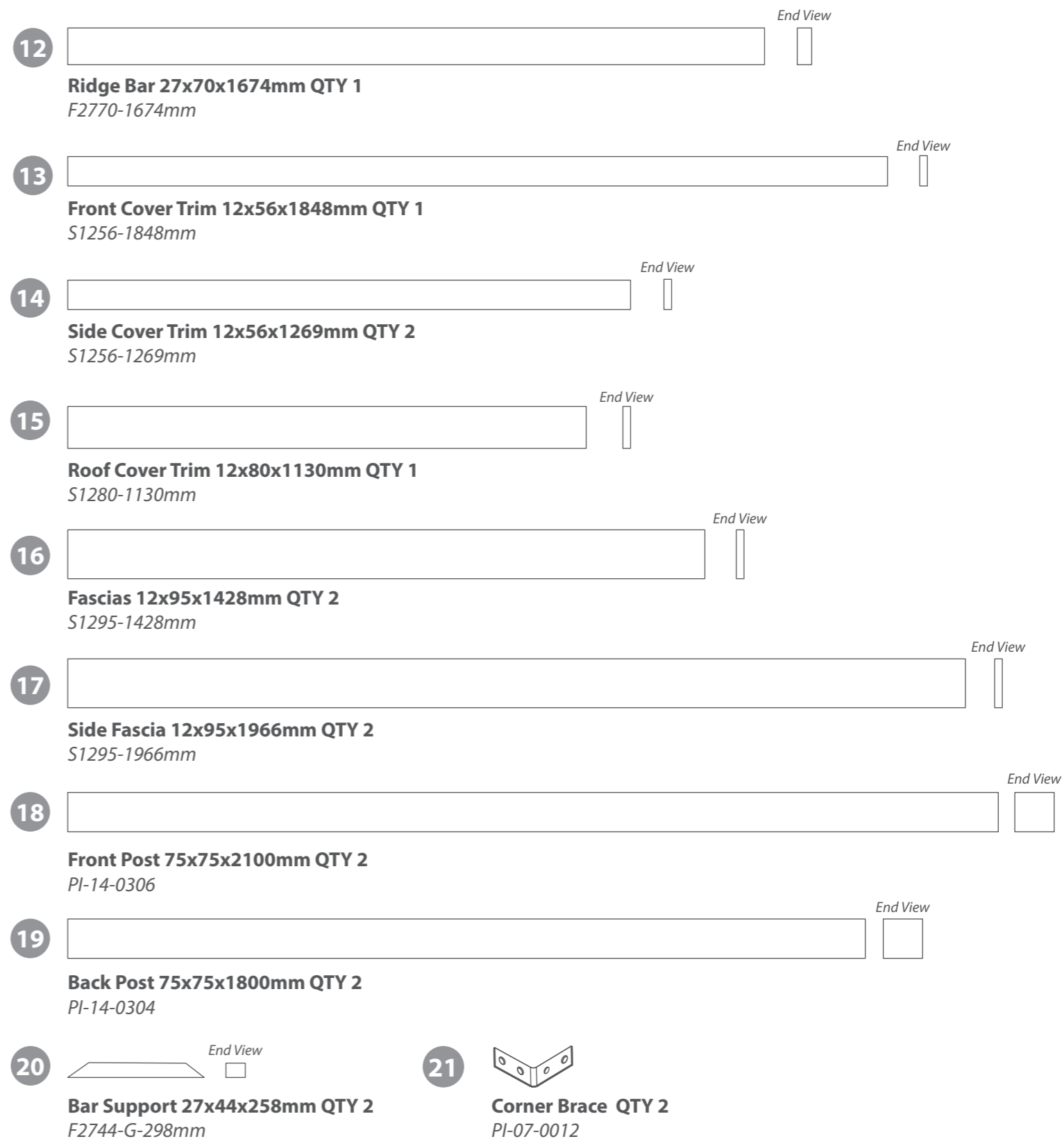
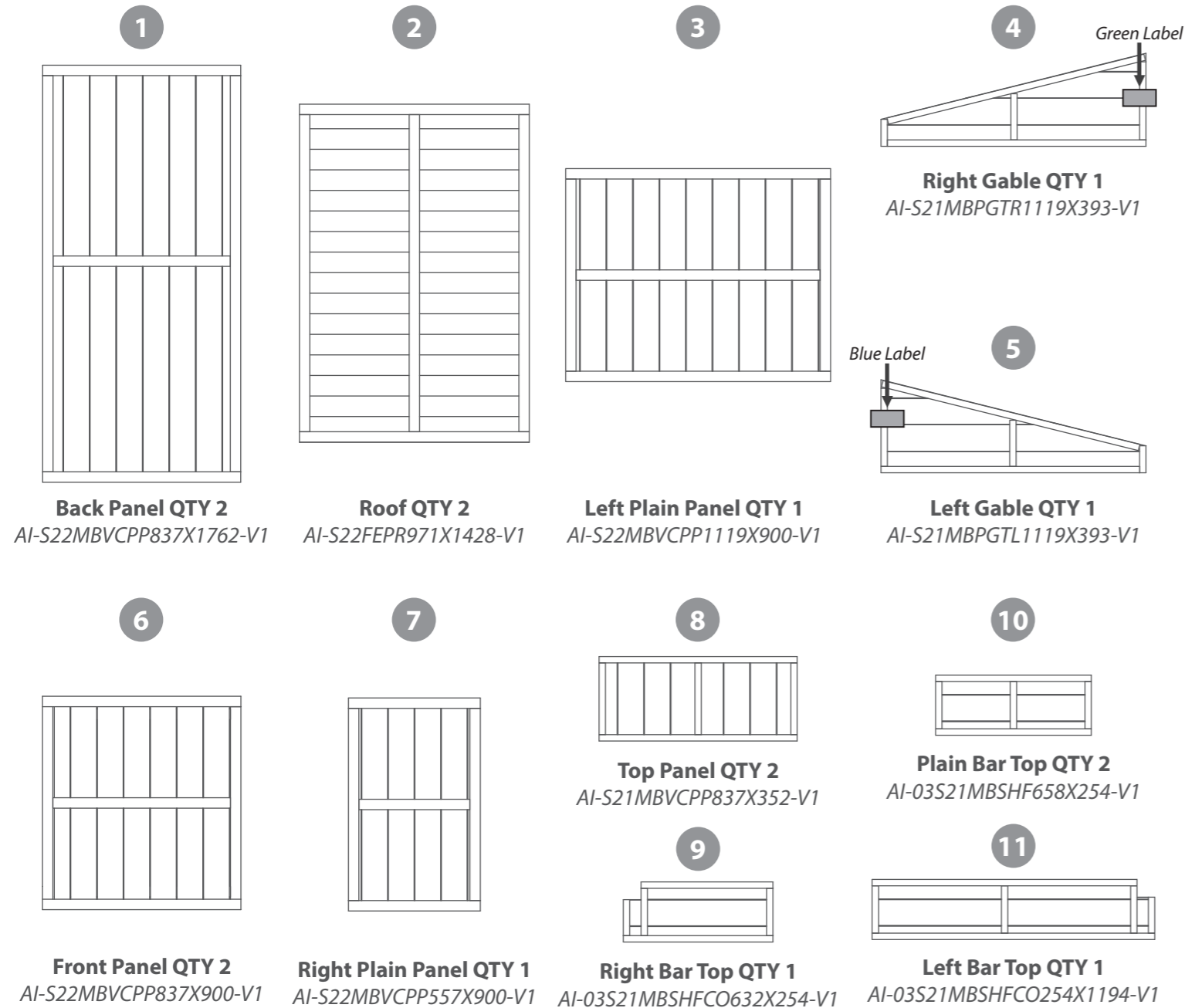


Overall Dimensions: Width = 1966mm
Depth = 1432mm
Height = 2140mm

Base Dimensions: Width = 1824mm
Depth = 1269mm

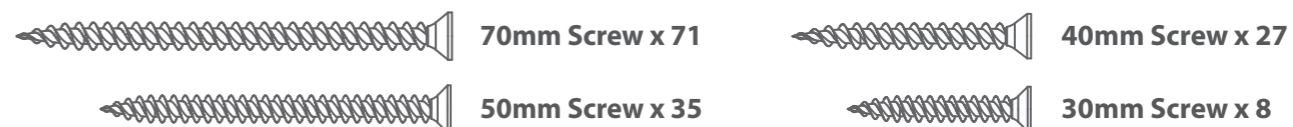


Contents:



Nail Bag

There may be extra screws present in the nail bag

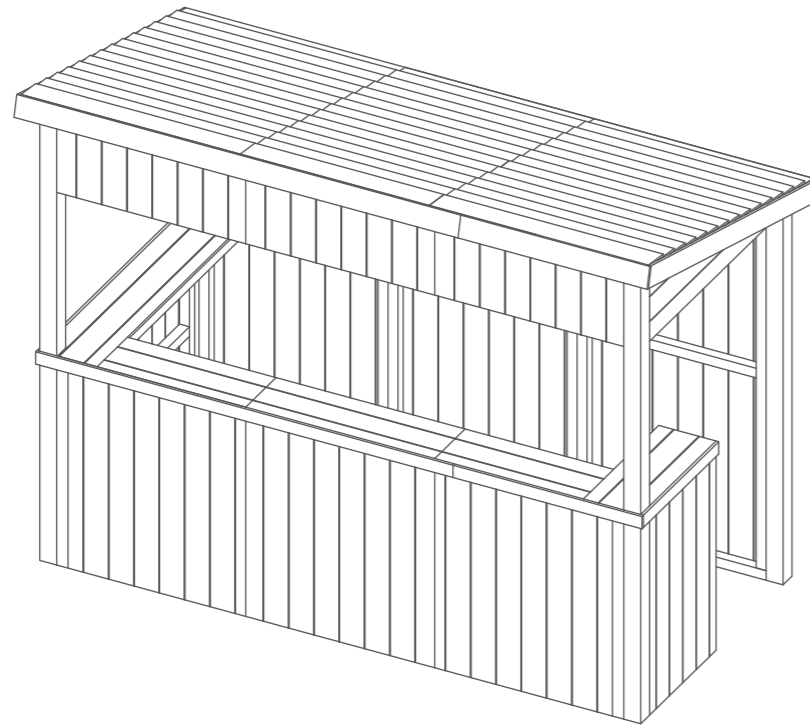


Extension Pack

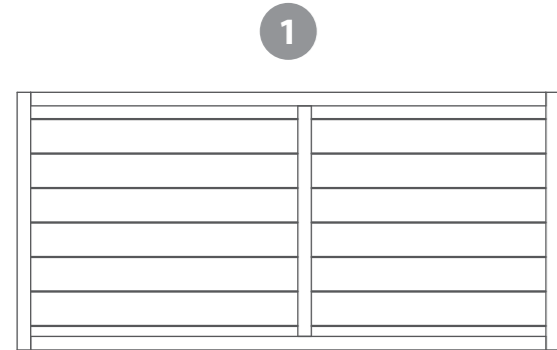
03PTMBPN0403BRPB-V1

Overall Dimensions:
 Width = 2803mm
 Depth = 1432mm
 Height = 2140mm

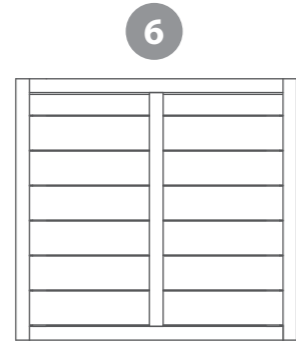
Base Dimensions:
 Width = 2661mm
 Depth = 1269mm



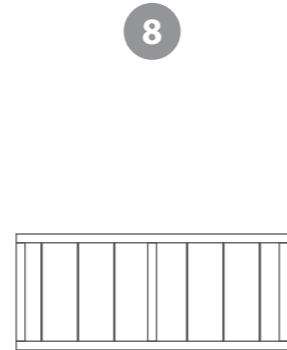
Contents:



Back Panel QTY 1
 AI-S22MBVCPP837X1762-V1



Front Panel QTY 1
 AI-S22MBVCPP837X900-V1



Top Panel QTY 1
 AI-S12MBVCPP837x352-V1

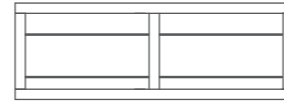


Roof Cover Trim 12x80x1130mm QTY 1
 S1280-1130mm



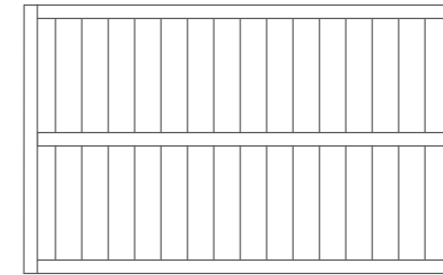
Bar Support 27x44x258mm QTY 1
 F2744-G-298mm

22



Plain Bar Top Extension QTY 1
 AI-03S21MBSHF837X254-V1

23



Roof Panel Extension QTY 1
 AI-S22FEPR837X1428-V1



Cover Trim Extension 12x56x837mm QTY 1
 S1256-837mm



Fascia Extension 12x95x837mm QTY 2
 S1295-837mm



Ridge Bar 27x70x2511mm QTY 1
 F2770-2511mm

Nail Bag

There may be extra screws present in the nail bag



70mm Screw x 21



50mm Screw x 12



40mm Screw x 11

If Extension Pack has been purchased, please follow steps labelled 'Extension Pack' where present

Step 1

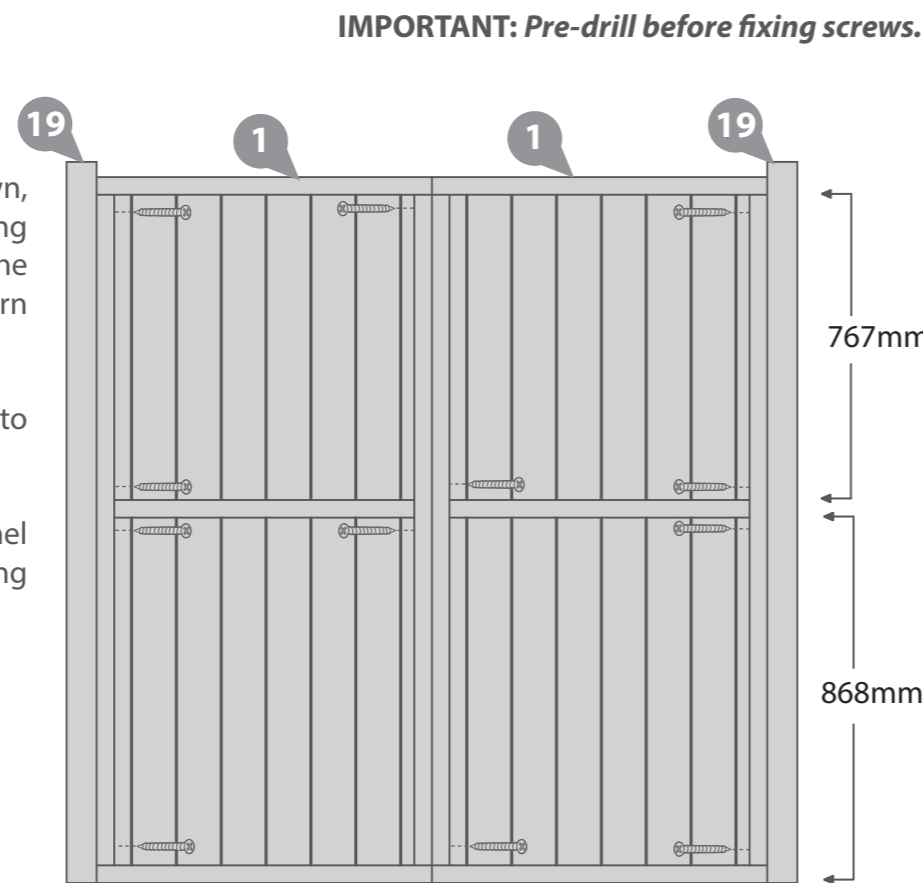
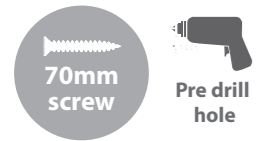
Parts Needed- No.1 QTY 2
- No. 19 QTY 2

Stand the Back Panels (**No. 1**) upright as shown, with the larger gap between the panel framing at the bottom, as per the measurements on the diagram. Fix together in an alternating pattern using 4x70mm screws

Place Corner Posts 75x75-1800mm (**No. 19**) to either side flush with the inside of the panel.

Attach the post (**No.19**) to the back panel (**No.1**) using 4x70mm screws per post, fixing through the panel into the post.

12x70mm Screws



Ariel View



Extension Pack

Step 1A

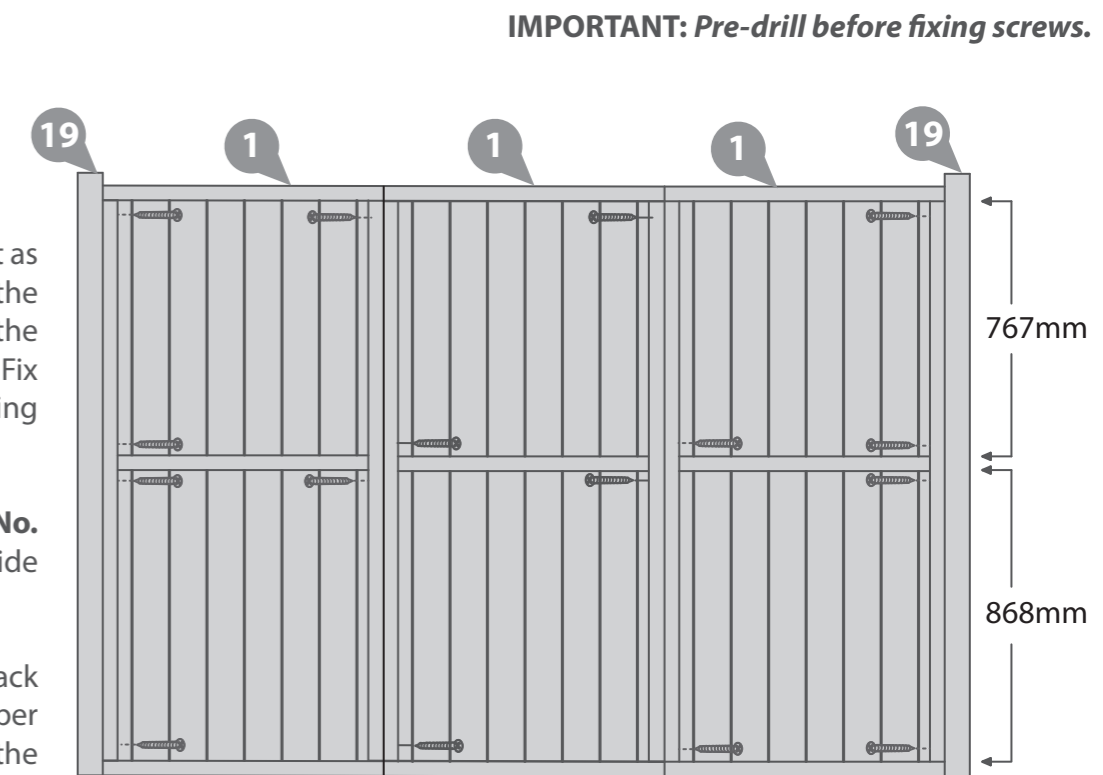
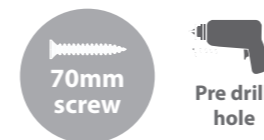
Parts Needed- No.1 QTY 3
- No. 19 QTY 2

Stand the Back Panels (**No. 1**) upright as shown, with the larger gap between the panel framing at the bottom, as per the measurements on the diagram. Fix together in an alternating pattern using 4x70mm screws per join.

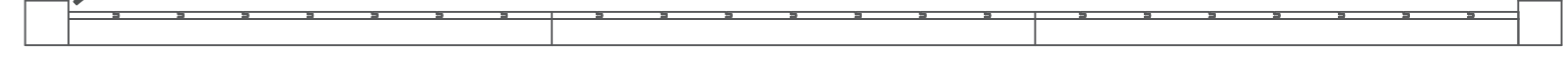
Place Corner Posts 75x75-1800mm (**No. 19**) to either side flush with the inside of the panel.

Attach the post (**No.19**) to the back panel (**No.1**) using 4x70mm screws per post, fixing through the panel into the post.

16x70mm Screws



Ariel View



Step 2

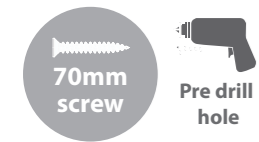
Parts Needed- No.6 QTY 2
- No. 18 QTY 2

Stand the Front Panels (**No.6**) upright as shown. Fix together using 4x70mm screws in an alternating pattern.

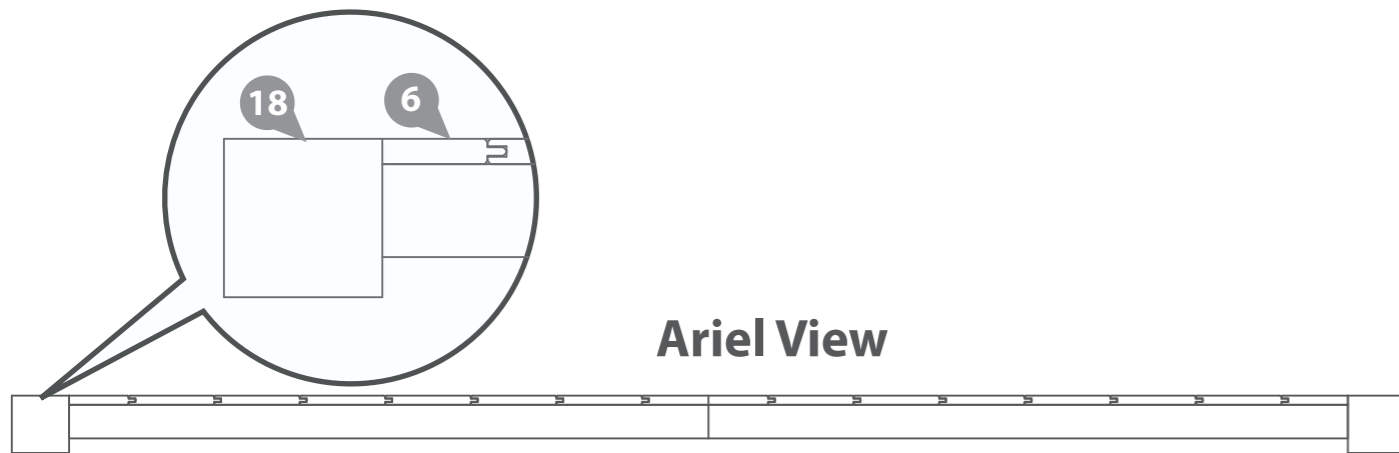
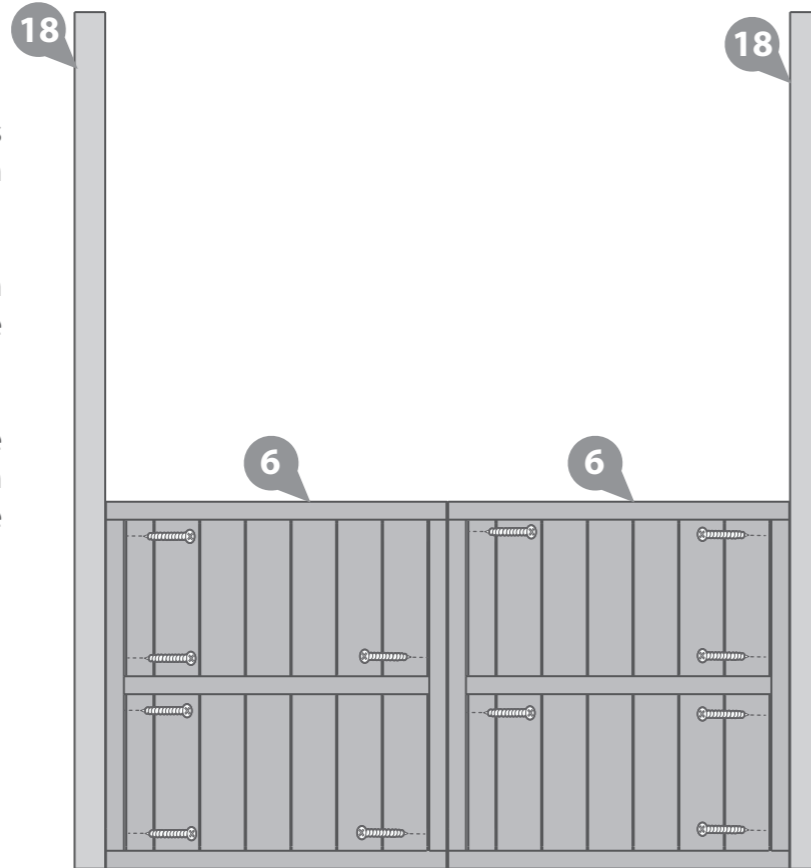
Place the Corner Posts 75x75 - 2100mm (**No.18**) at either side flush with the outside of the panels.

Attach the Corner Posts (**No.18**) to the Front Panels (**No.6**) using 4x70mm screws per post, fixing through the panel into the post.

12x70mm Screws



IMPORTANT: Pre-drill before fixing screws.



Extension Pack

Step 2A

Parts Needed- No.6 QTY 2
- No. 18 QTY 2

Stand the Front Panels (**No.6**) upright as shown. Fix together using 4x70mm screws in an alternating pattern.

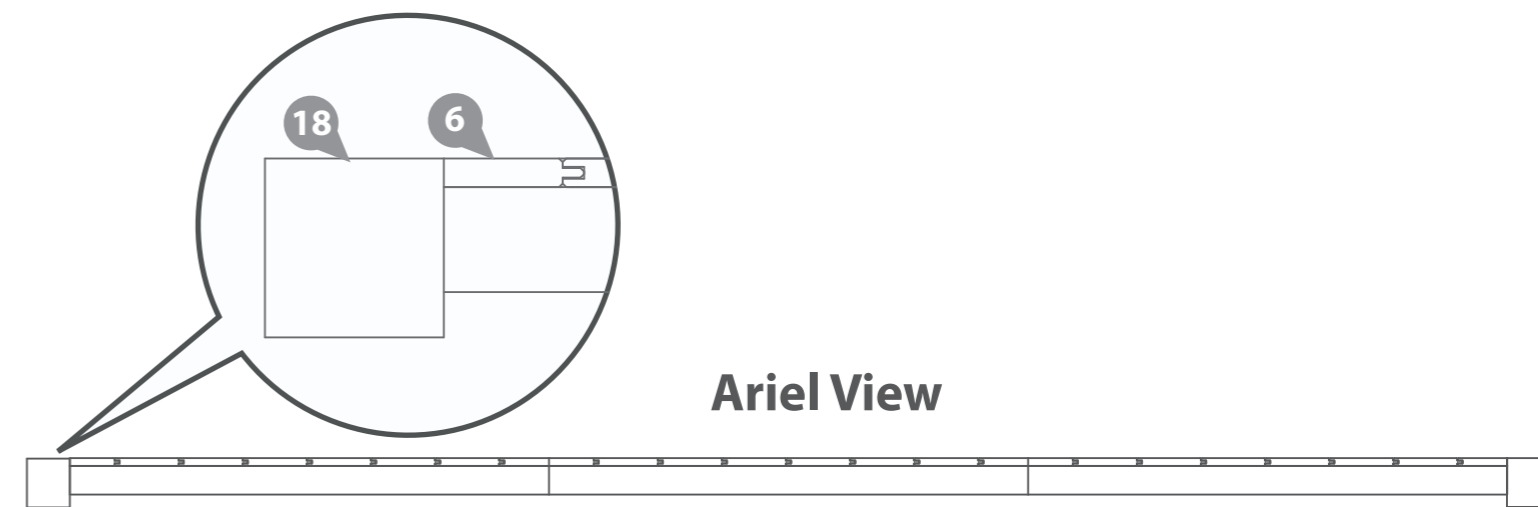
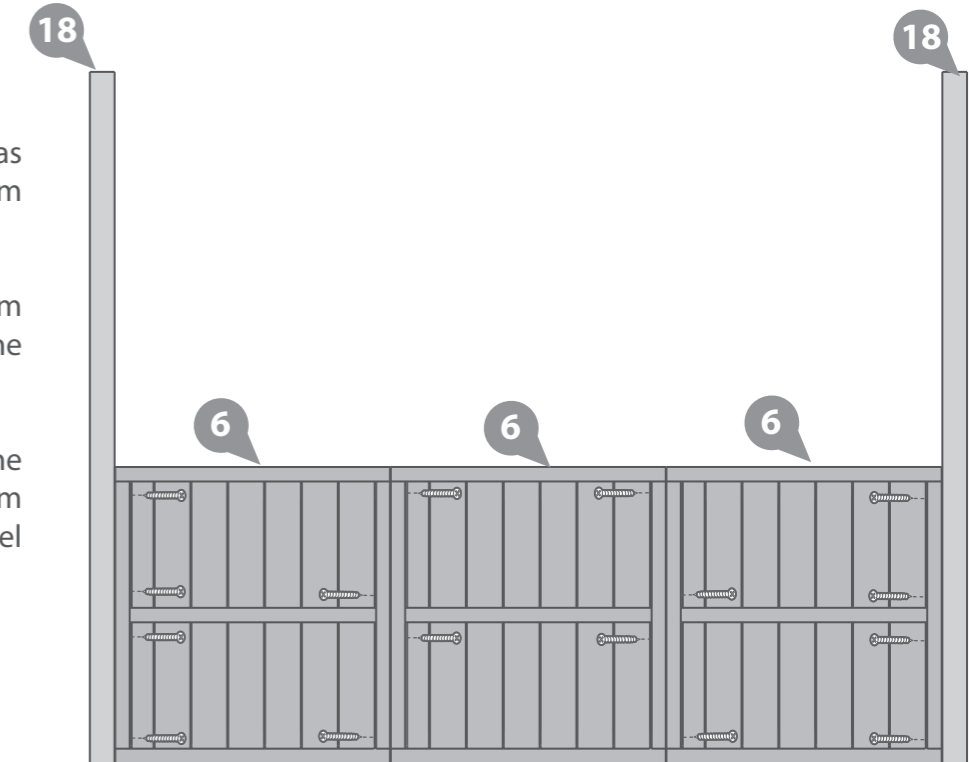
Place the Corner Posts 75x75 - 2100mm (**No.18**) at either side flush with the outside of the panels.

Attach the Front Posts (**No.18**) to the Front Panels (**No.6**) using 4x70mm screws per post, fixing through the panel into the post.

16x70mm Screws



IMPORTANT: Pre-drill before fixing screws.



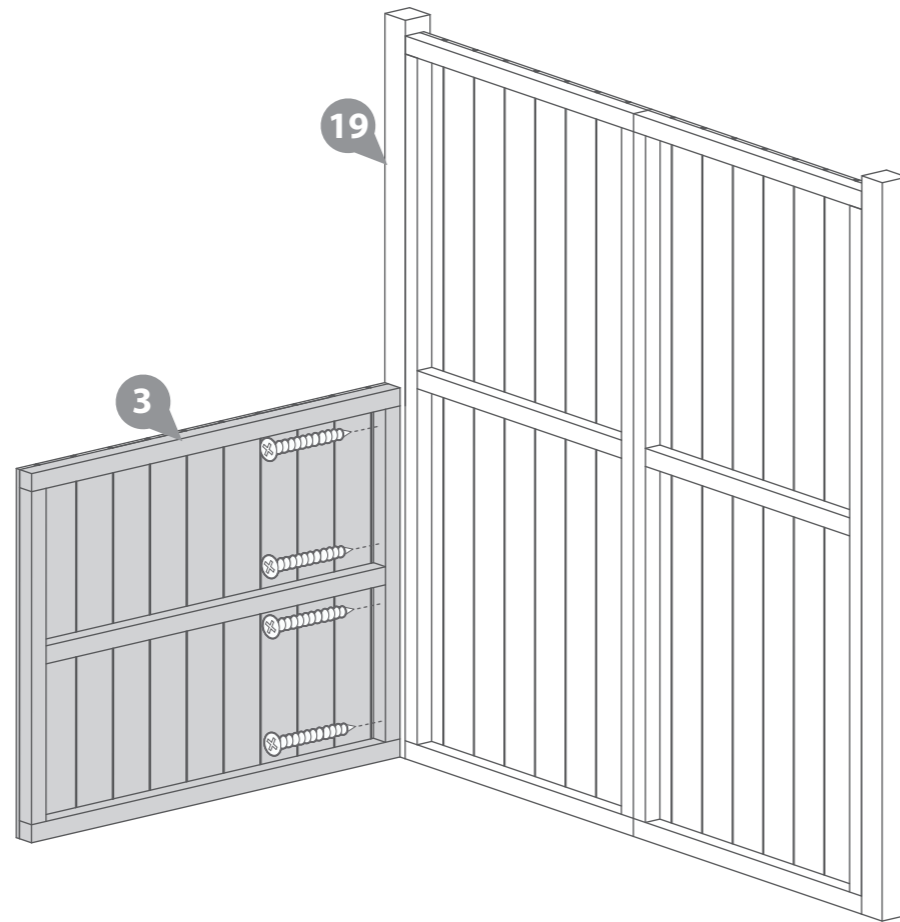
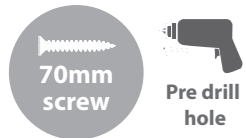
Step 3

Parts Needed- No.3 QTY 1

Place the Left Plain Panel (No.3) flush to the inside of the post (No.19).

Fix the Left Plain Panel (No.3) to the Post (No.19) using 4x70mm Screws.

4x70mm Screws



IMPORTANT: Pre-drill before fixing screws.

Step 4

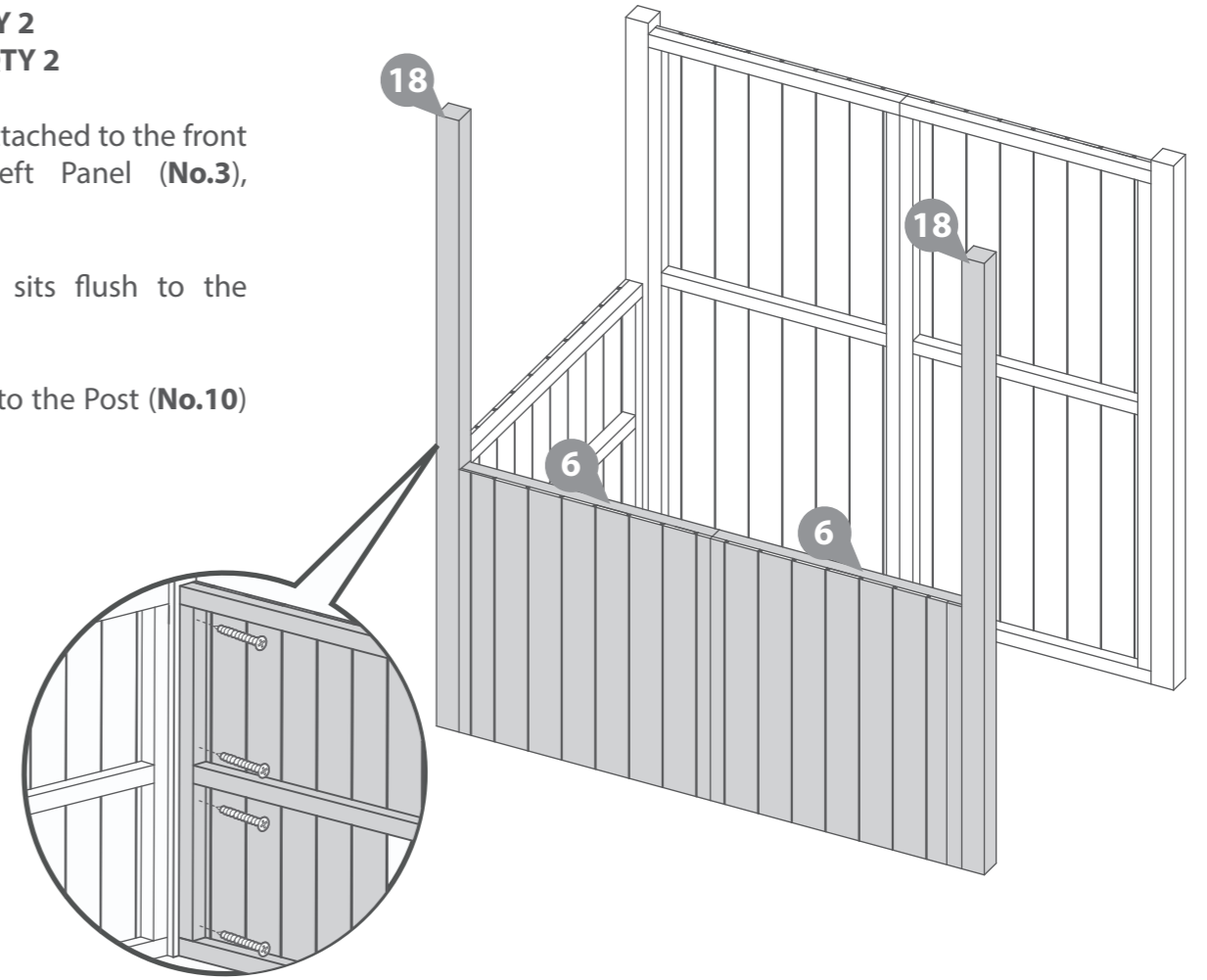
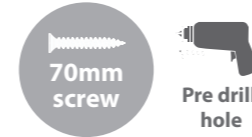
Parts Needed- No.6 QTY 2
- No. 18 QTY 2

Place the Post (No.18) attached to the front panels against the Left Panel (No.3), framing facing inwards.

Ensure that the panel sits flush to the outside of the post.

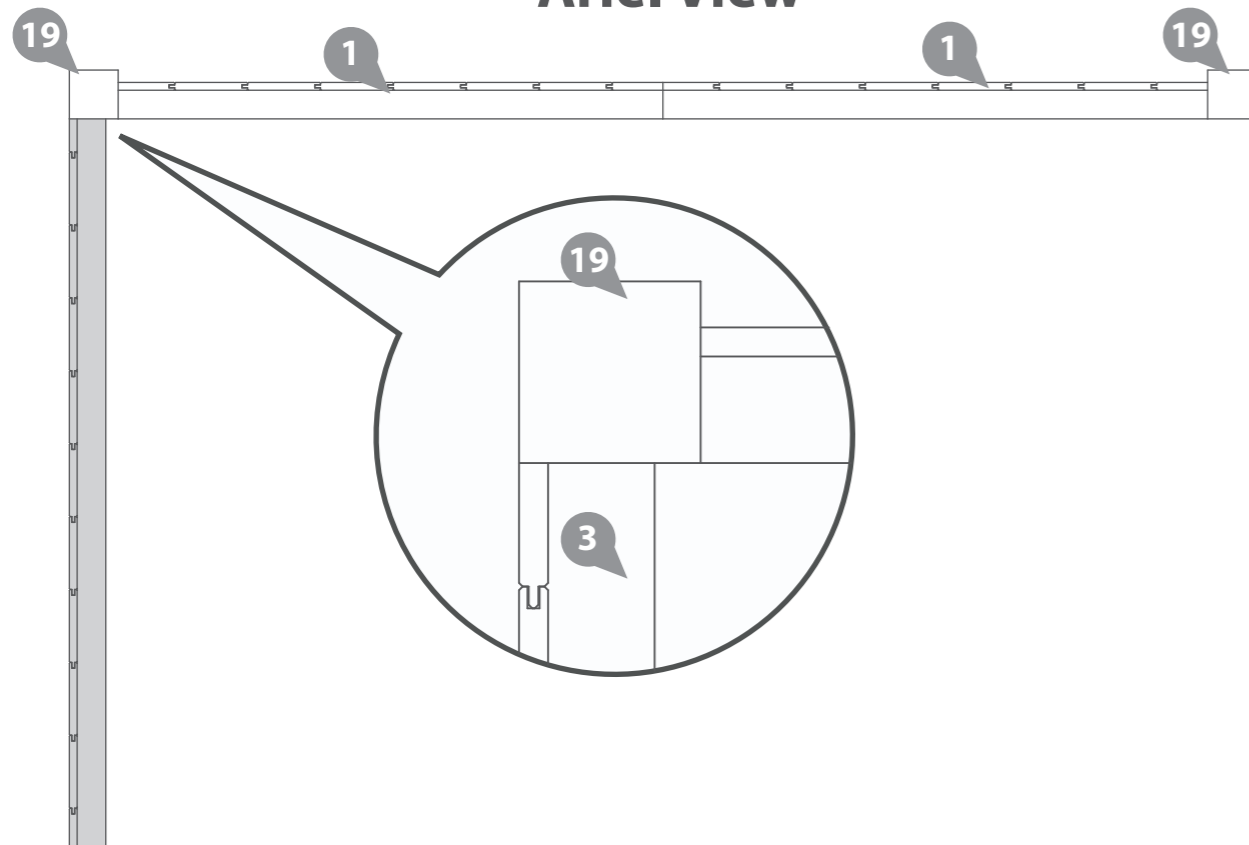
Fix the Left Panel (No.3) to the Post (No.10) using 4x70mm screws.

4x70mm Screws

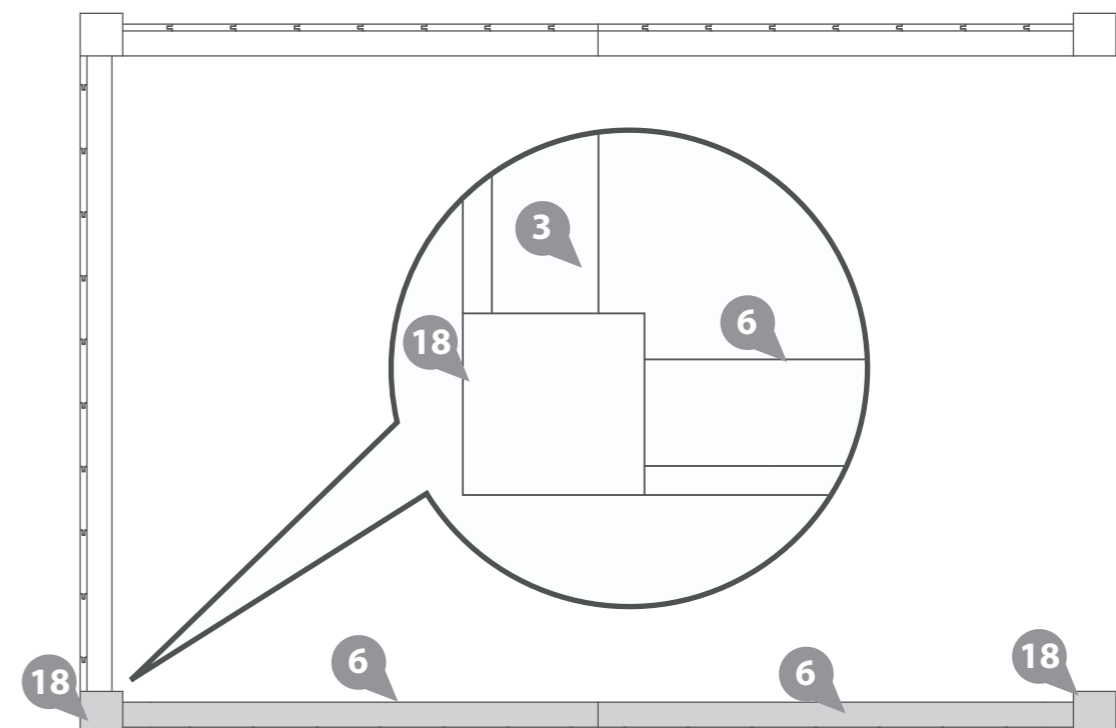


IMPORTANT: Pre-drill before fixing screws.

Ariel View



Ariel View



Step 5

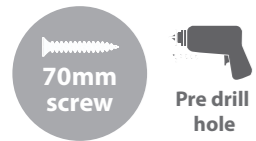
Parts Needed- No.7 QTY 1

Place the Right Plain Panel (No.7) against the front panel Post (No.18), with the framing facing inwards.

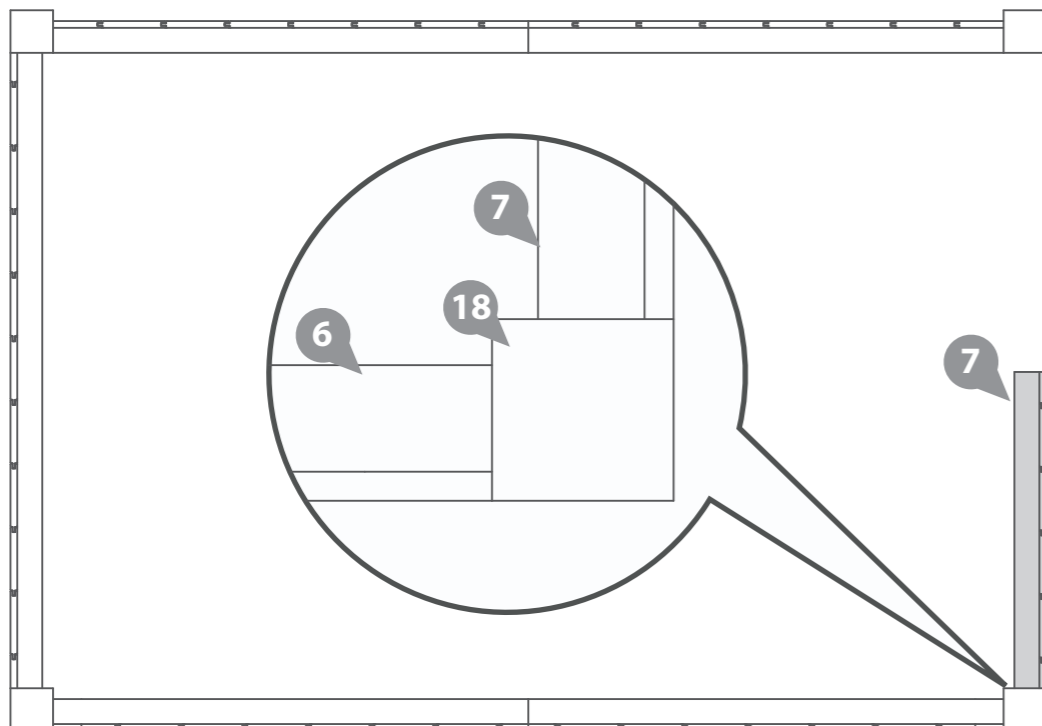
Ensure that the panel sits flush to the outside of the post.

Fix the Right Plain Panel (No.7) to the Post (No.18) using 4x70mm screws.

4x70mm Screws



Ariel View



IMPORTANT: Pre-drill before fixing screws.

Step 6

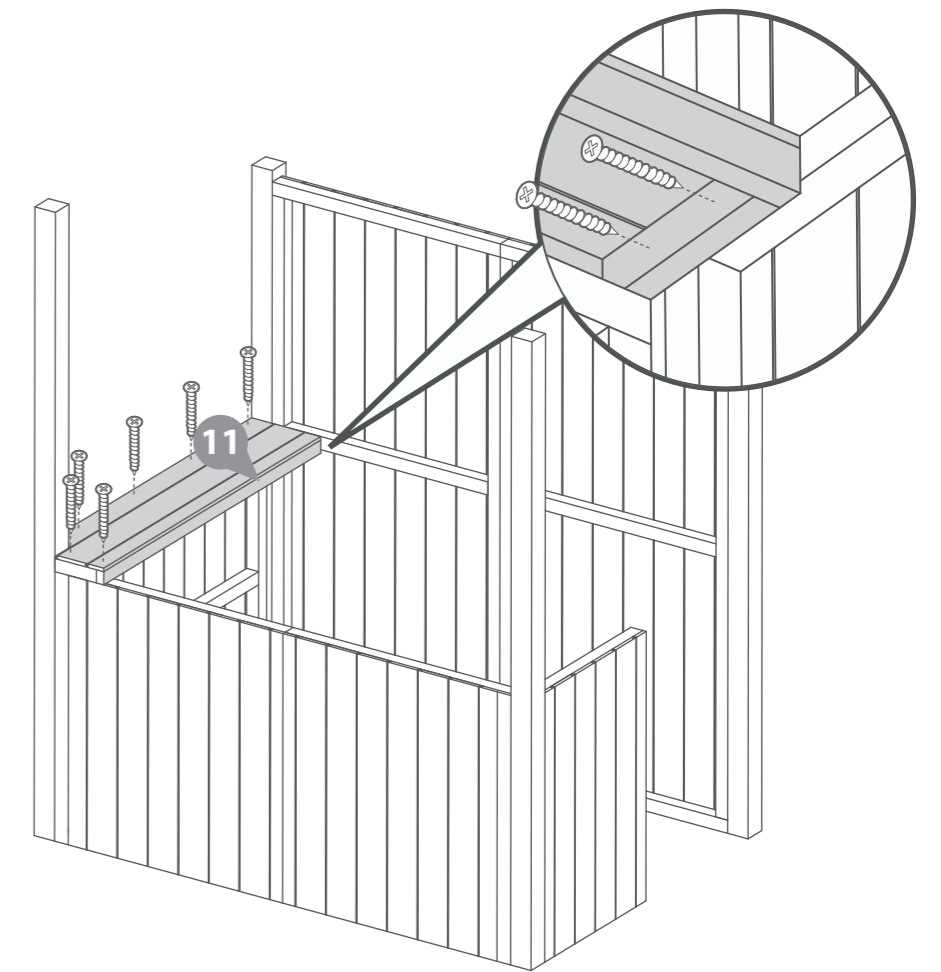
Parts Needed- No.11 QTY 1

Place the Left Bar top (No.11) on top of the Left Plain Panel (No.3).

Secure using 6x70mm screws going through the Bar top cladding and into the plain panel framing below.

Using 2x50mm screws, fix the Left Bar top to the back panel, ensuring that the Bar top cladding sits flush with the top of the back panel framing

2x50mm Screws
6x70mm Screws



Ariel View



Step 7

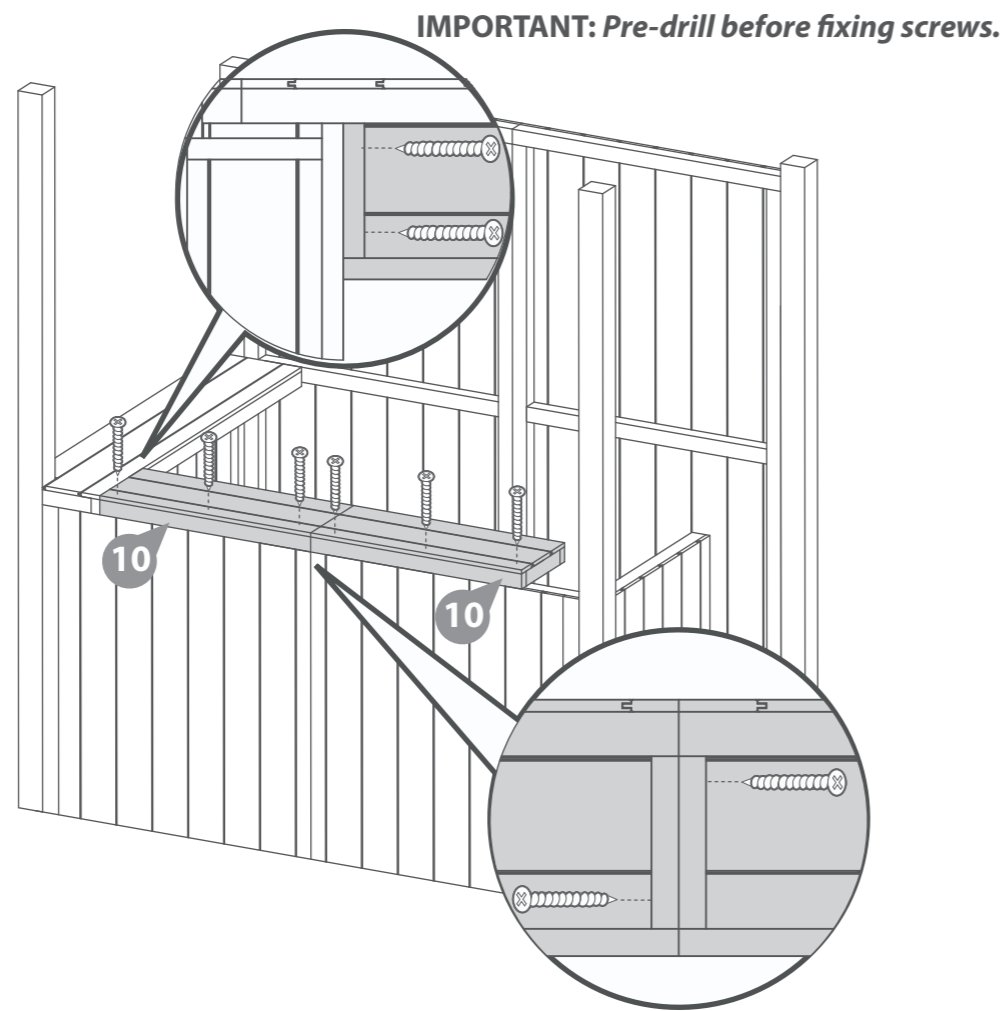
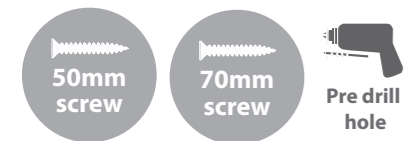
Parts Needed- No.10 QTY 2

Place the Plain Bar tops (No.10) on top of the Front Panels (No.6).
Secure using 3x70mm screws per bar top, going through the Bar top cladding and into the front panel framing below.

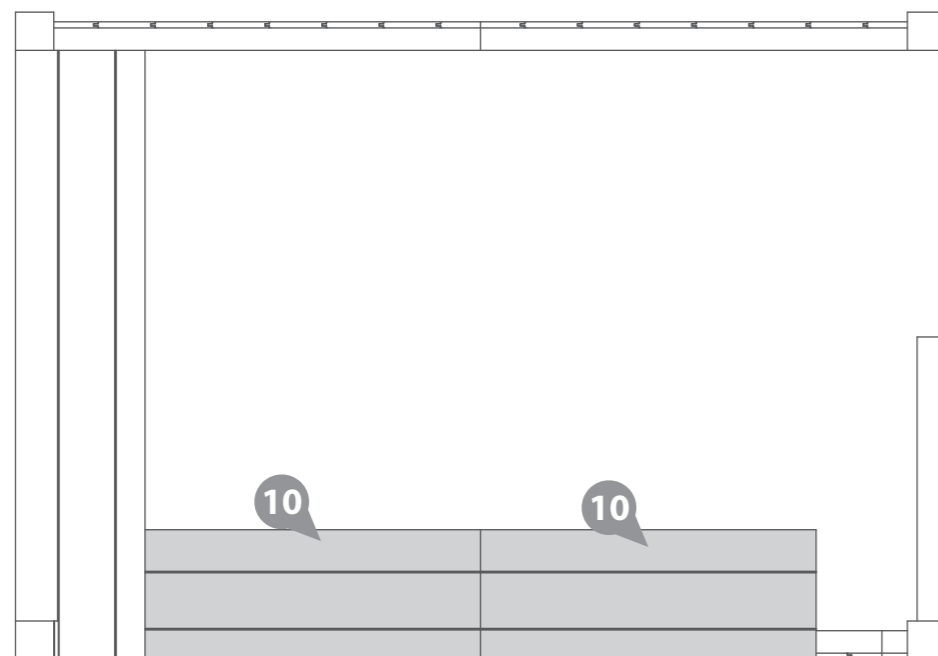
Using 2x50mm screws, fix the Plain Bar top to the Left Bar top from the underside of the bar tops.

Using 2x50mm screws, fix the Plain Bar tops together in alternating pattern from the underside of the bar tops

4x50mm Screws
6x70mm Screws



Ariel View



Extension Pack

Step 7A

Parts Needed- No.10 QTY 2
- No.22 QTY 1

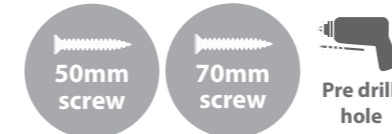
Place the Plain Bar tops (No.10) and the Plain Bar top Extension (No.22) on top of the Front Panels (No.6).

Secure using 3x70mm screws per bar top, going through the Bar top cladding and into the front panel framing below.

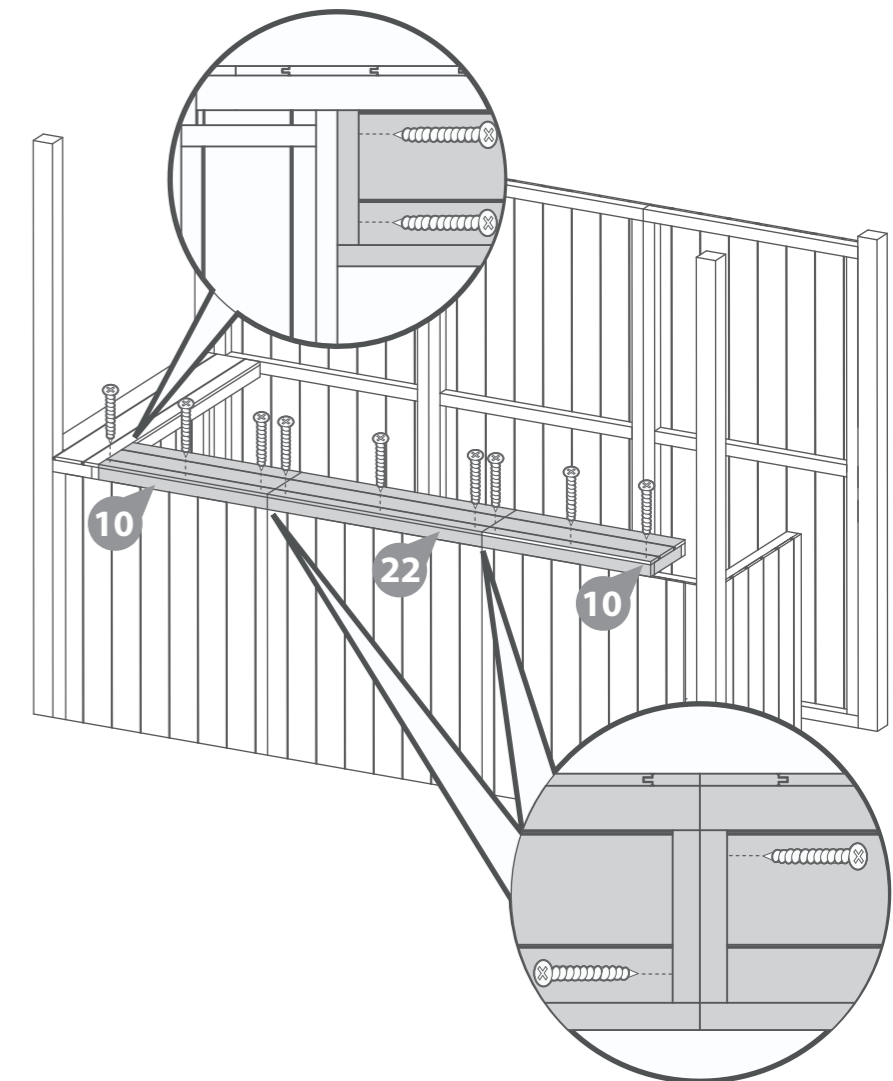
Using 2x50mm screws, fix the Plain Bar top to the Left Bar top from the underside of the bar tops.

Using 2x50mm screws per join, fix the Plain Bar tops and the Plain Bar top extension together in alternating pattern from the underside of the bar tops

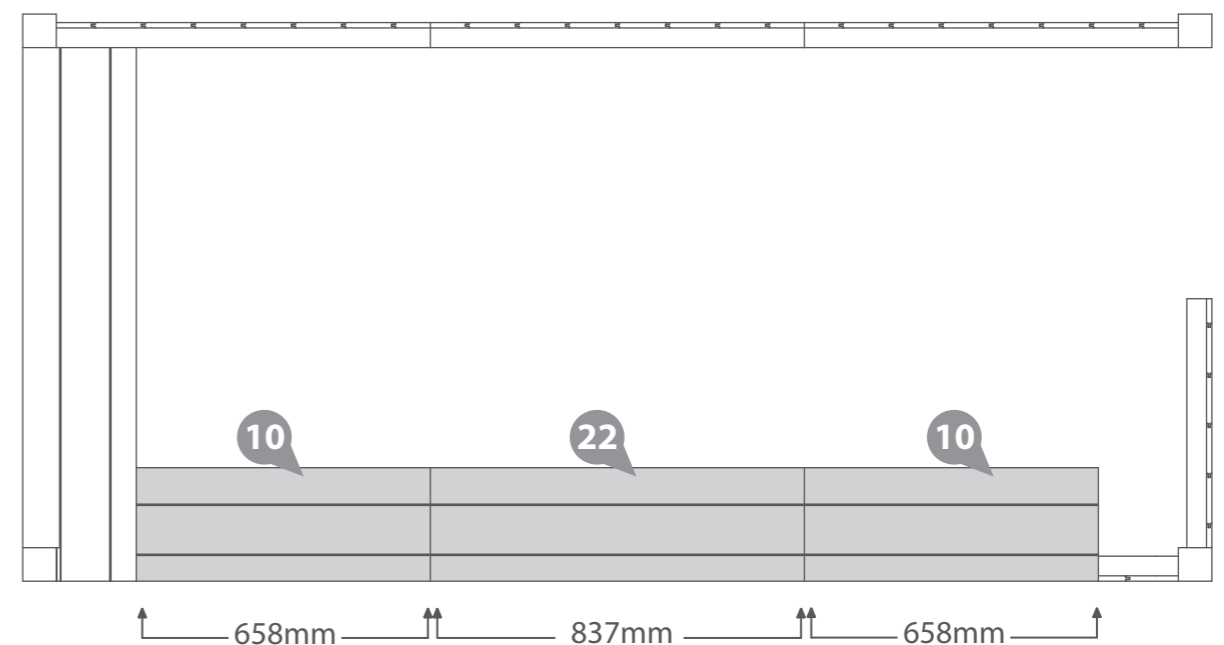
6x50mm Screws
9x70mm Screws



IMPORTANT: Pre-drill before fixing screws.



Ariel View



Step 8

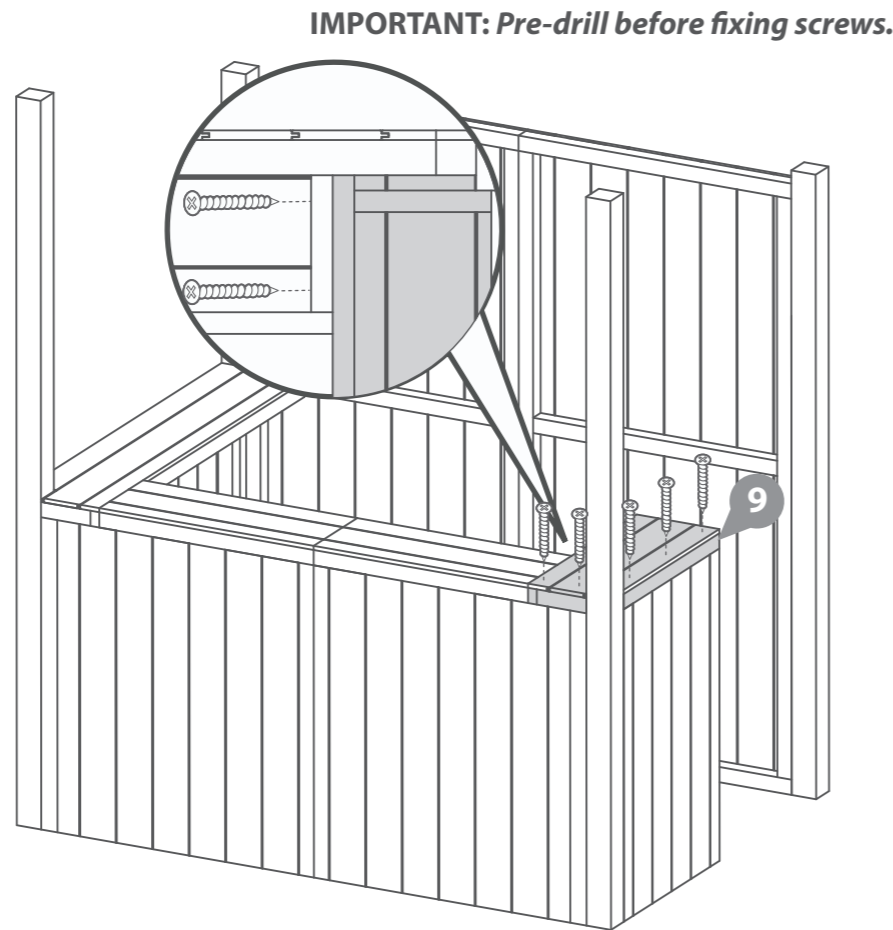
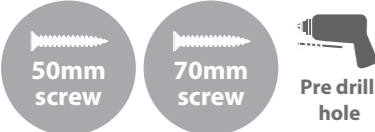
Parts Needed- No.9 QTY 1

Place the Right Bar top (No.9) on top of the Right Plain Panel (No.7). Secure using 5x70mm screws going through the Bar top cladding and into the plain panel framing below.

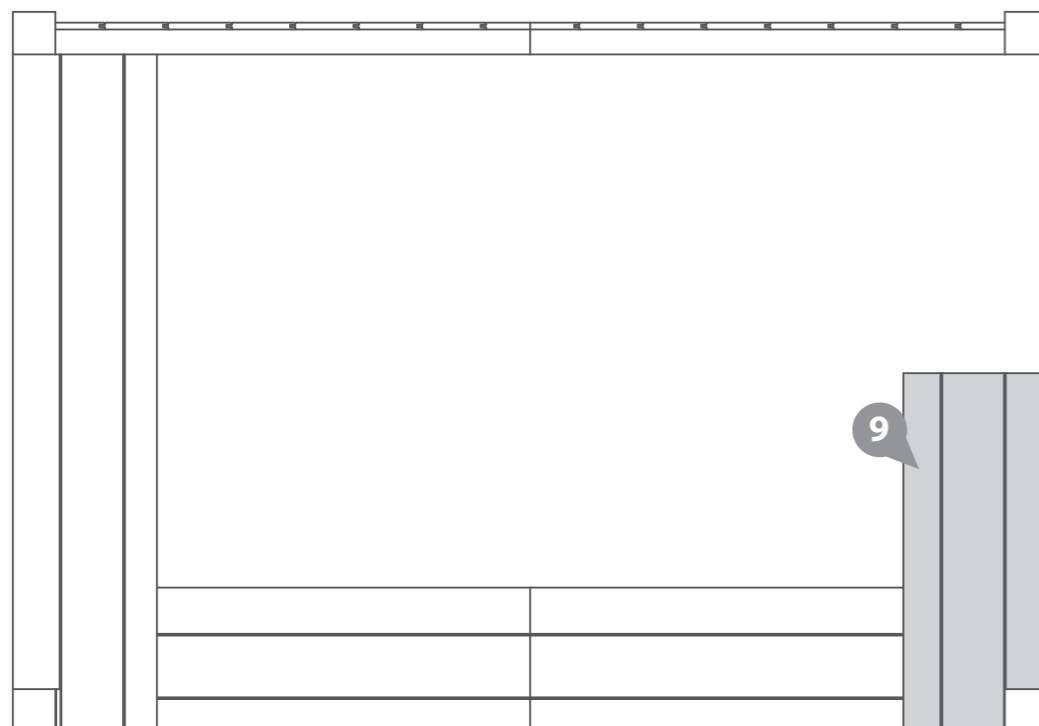
Using 2x50mm screws, fix the Right Bar top to the Plain Bar top (No.10) from the underside of the bar tops

2x50mm Screws

5x70mm Screws



Ariel View



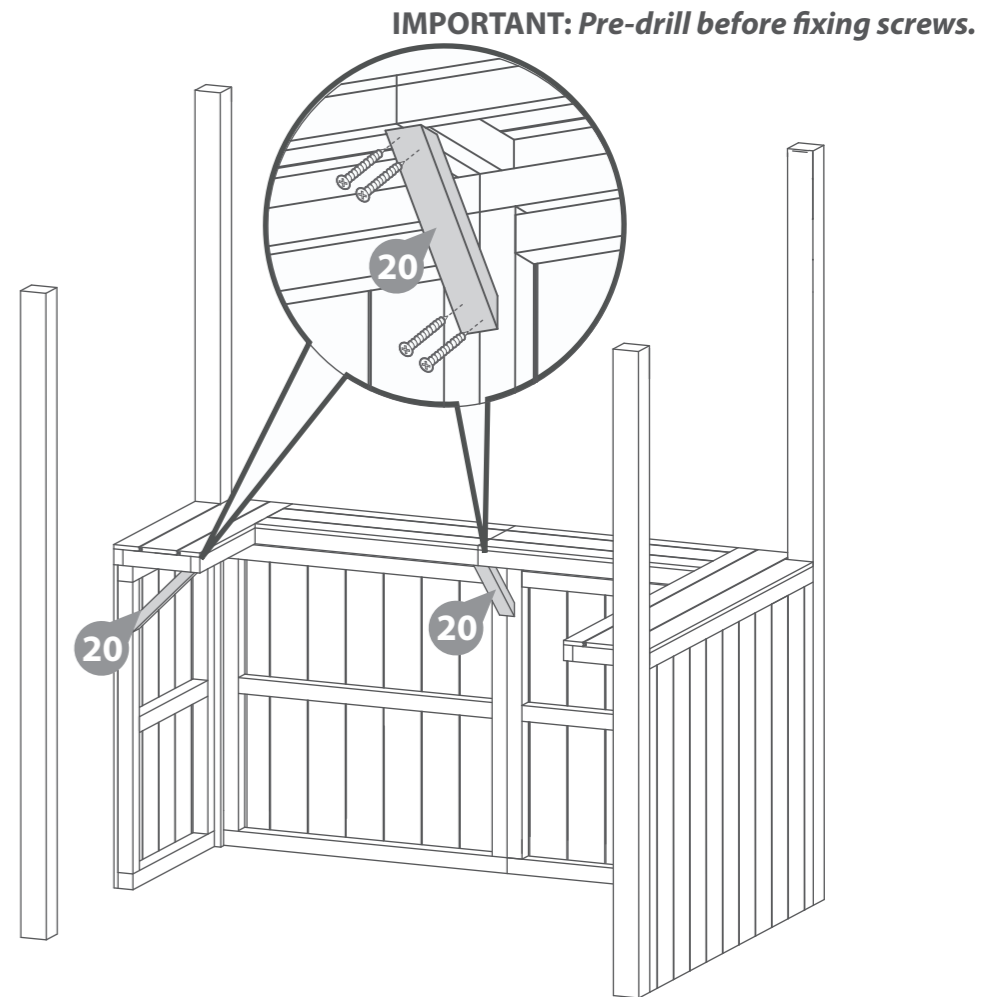
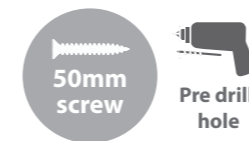
Step 9

Parts Needed- No.20 QTY 2

Place the bar supports (No.20) underneath the bar tops as shown in the illustration. Place the first underneath the Right Bar Top (No.9) flush to the edge of the bar and the right plain panel (No.7). The second should be positioned centrally between the Plain Bar Tops (No.10) flush to the edge of the bar top and the Front Panels (No.6)

Secure using 4x50mm screws per Bar support (No.20) ensuring to off set the screws location so to not split the bar support.

8x50mm Screws



Extension Pack

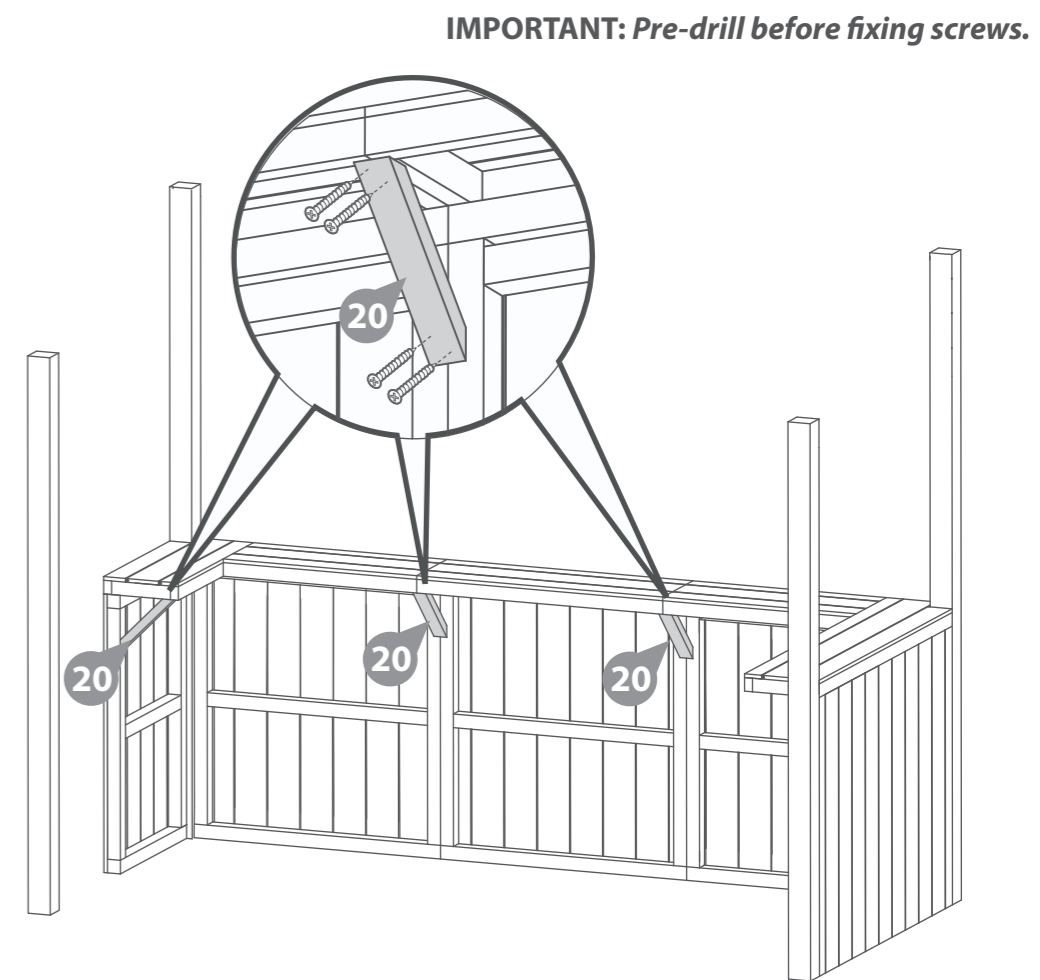
Step 9A

Parts Needed- No.20 QTY 3

Place the bar supports (No.20) underneath the bar tops as shown in the illustration. Place the first underneath the Right Bar Top (No.9) flush to the edge of the bar and the right plain panel (No.7). The second and third should be positioned centrally between the Plain Bar Tops (No.10) and the Plain Bar top Extension (No.22), flush to the edge of the bar top and the Front Panels (No.6).

Secure using 4x50mm screws per Bar support (No.20) ensuring to off set the screws location so to not split the bar support.

12x50mm Screws



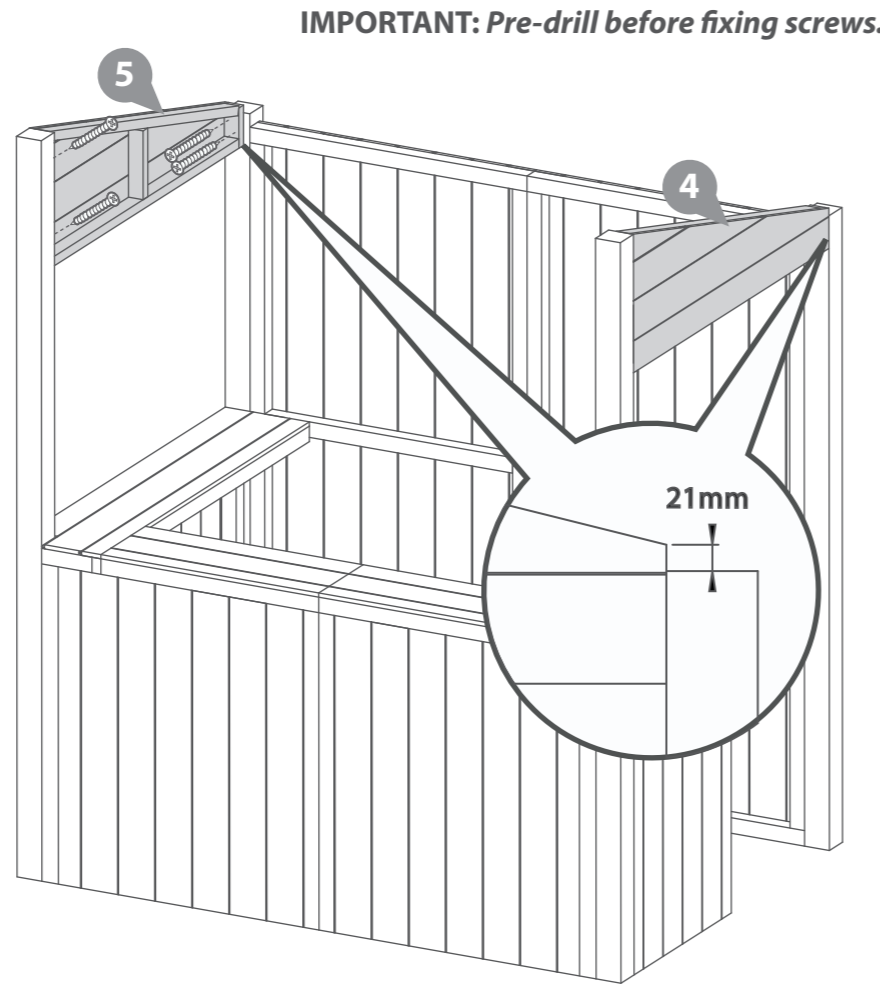
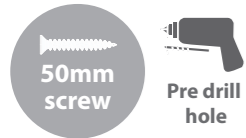
Step 10

Parts Needed- No.4 QTY 1
- No.5 QTY 1

Place the Right Gable (No.5) and the Left Gable (No.4) between the Posts, the front of the gables will sit flush to the top of the front posts. The back of the gables will sit 21mm above the back posts.

Secure each gable to the posts using 4x50mm screws. When securing to the back post, offset the screws to ensure the framing does not split

8x50mm Screws



Step 11

Parts Needed- No.8 QTY 2

Place the Top Panels (No.8) between the front posts (No.20), position them to be flush with the bottom of the gables.

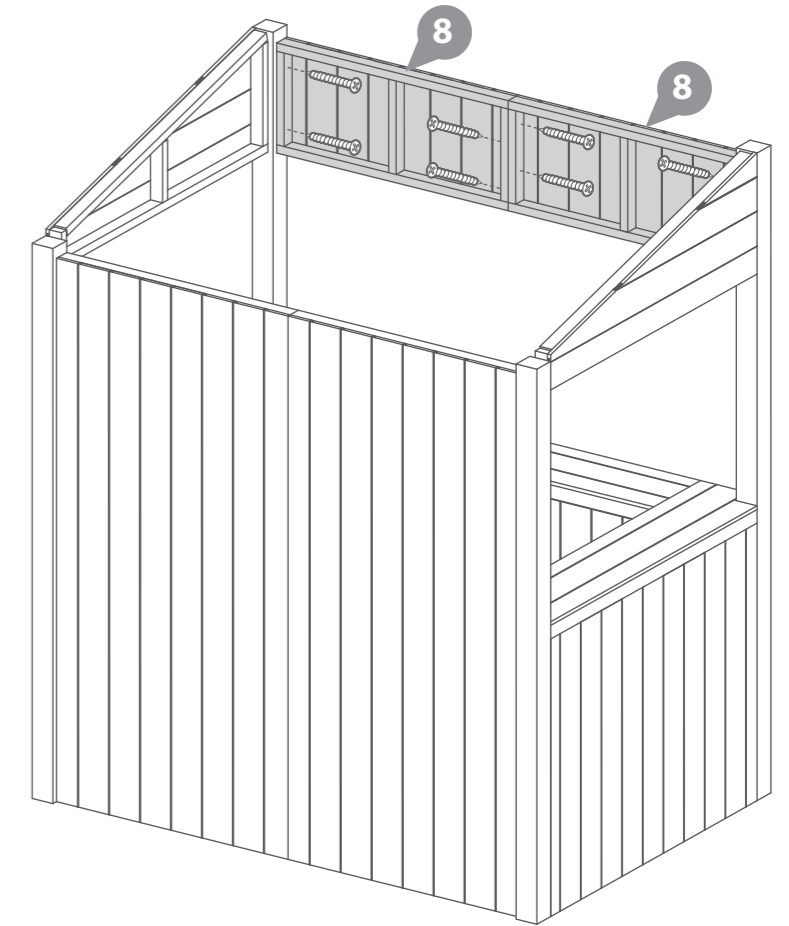
Secure the Top panels to the Posts using 2x50mm screws.

Secure the Top panels together using 4x50mm screws in an alternating pattern.

8x50mm Screws



IMPORTANT: Pre-drill before fixing screws.



Extension Pack

Step 11A

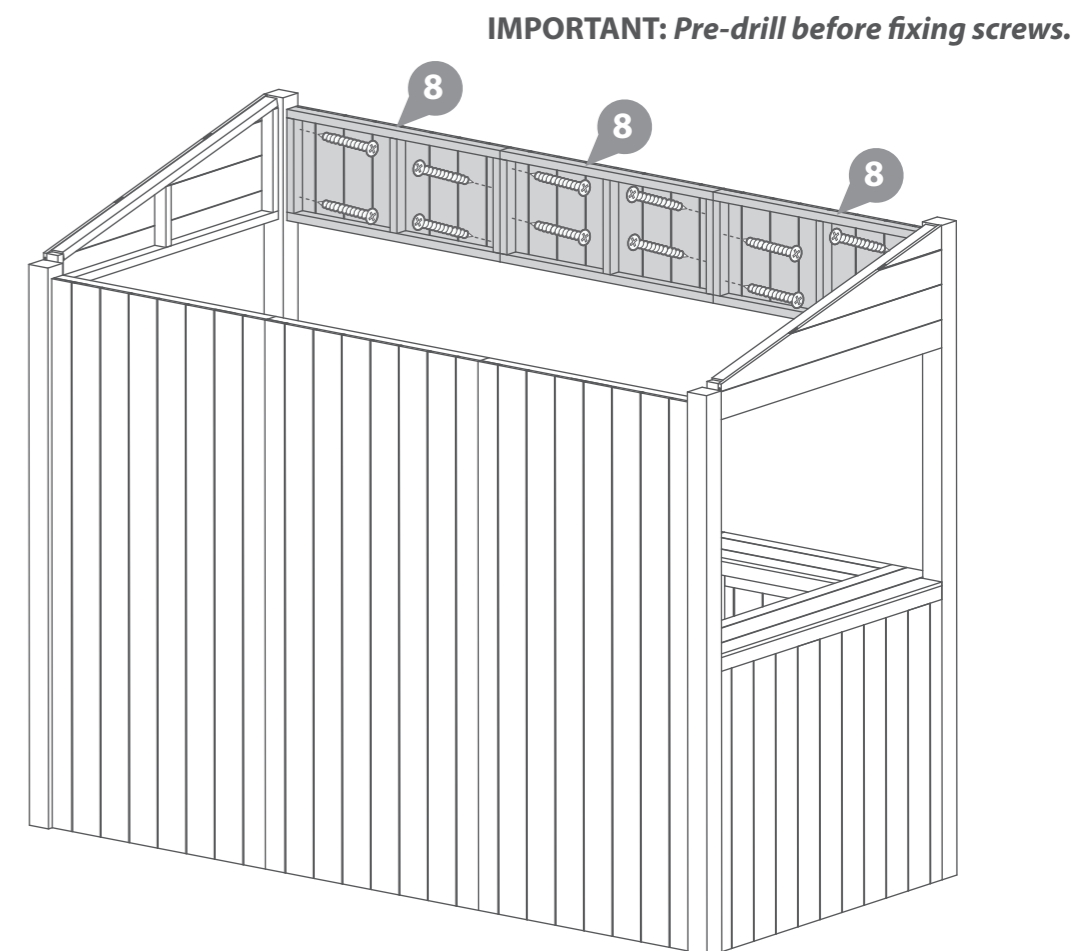
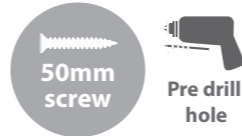
Parts Needed- No.8 QTY 3

Place the Top Panels (No.8) between the the front posts (No.20), position them to be flush with the bottom of the gables.

Secure the Top panels to the Posts using 2x50mm screws.

Secure the Top panels together using 4x50mm screws per join in an alternating pattern.

12x50mm Screws



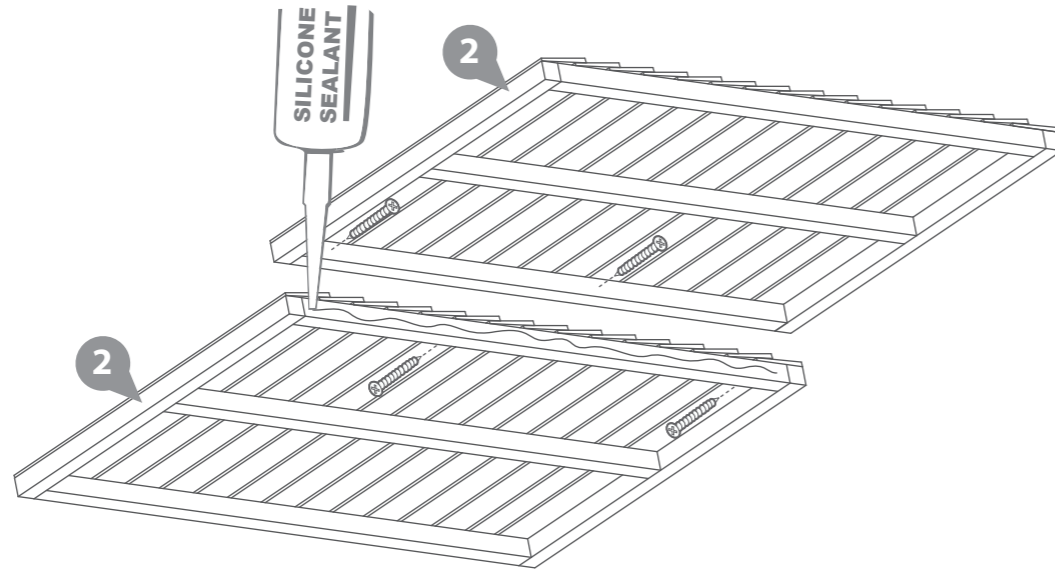
Step 12

Parts Needed- No.2 QTY 2

Locate the Roof panels (No.2) onto the top of the building. Use Silicone sealant along the join of the roof panels and fix together using 4x70mm Screws in an alternating pattern

4x70mm Screws

70mm screw



IMPORTANT: Pre-drill before fixing screws.

Step 13

Parts Needed- No.12 QTY 1
- No.21 QTY 2

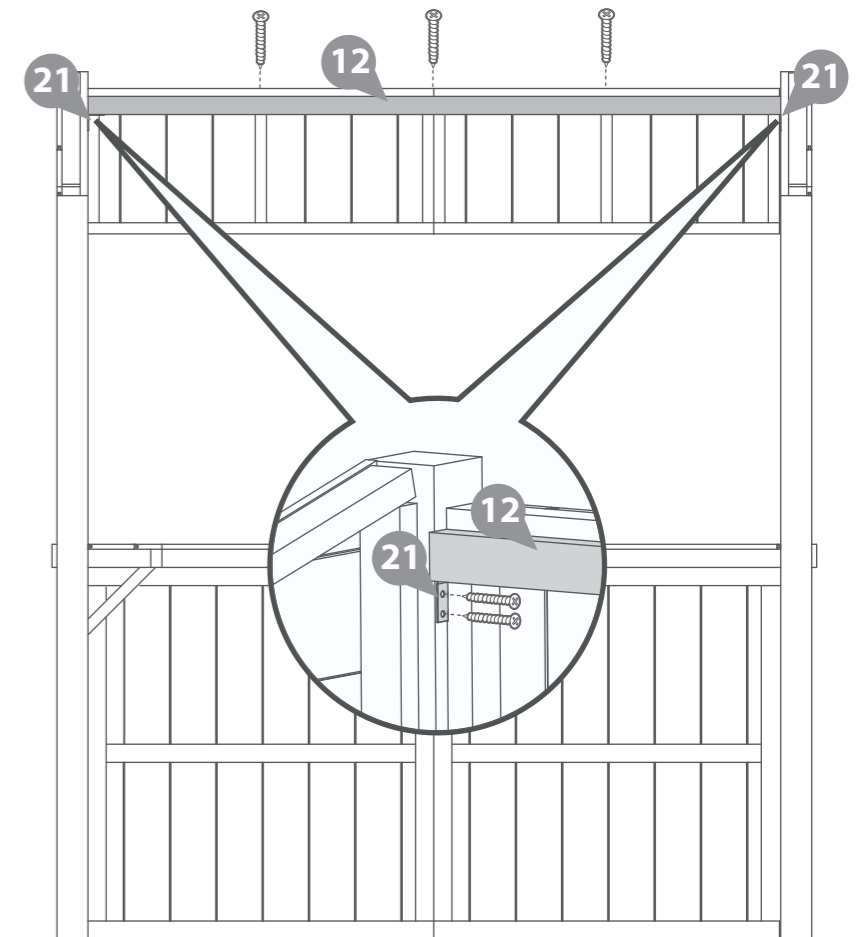
Fix the Corner Brace (No.21) to each end of the Ridge Bar (No.12) using 2x30mm screws per corner brace.

Locate the Ridge bar (No.12) to the inside of the building between the front posts, secure using 2x30mm screws per corner brace

****Tip: the ridge bar should sit flush with the underside of the roof, and flush with the top panel framing**

Fix the ridge bar to the front panels using 3x50mm screws going through the ridge bar and into the panel framing, ensuring the top panels are level

8x30mm Screws
3x50mm Screws



IMPORTANT: Pre-drill before fixing screws.

Extension Pack

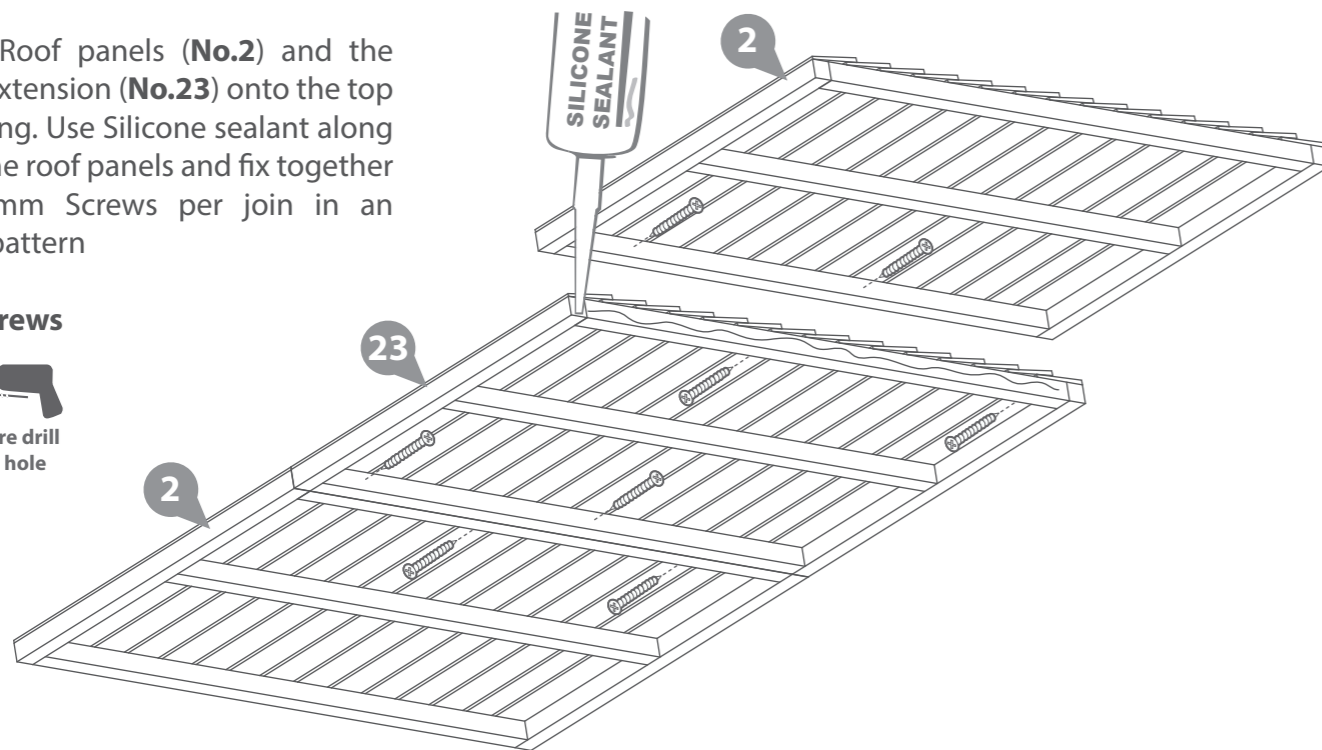
Step 12A

Parts Needed- No.2 QTY 2
- No.23 QTY 1

Locate the Roof panels (No.2) and the Roof Panel Extension (No.23) onto the top of the building. Use Silicone sealant along the join of the roof panels and fix together using 4x70mm Screws per join in an alternating pattern

8x70mm Screws

70mm screw



IMPORTANT: Pre-drill before fixing screws.

Extension Pack

Step 13A

Parts Needed- No.21 QTY 1
- No.26 QTY 1

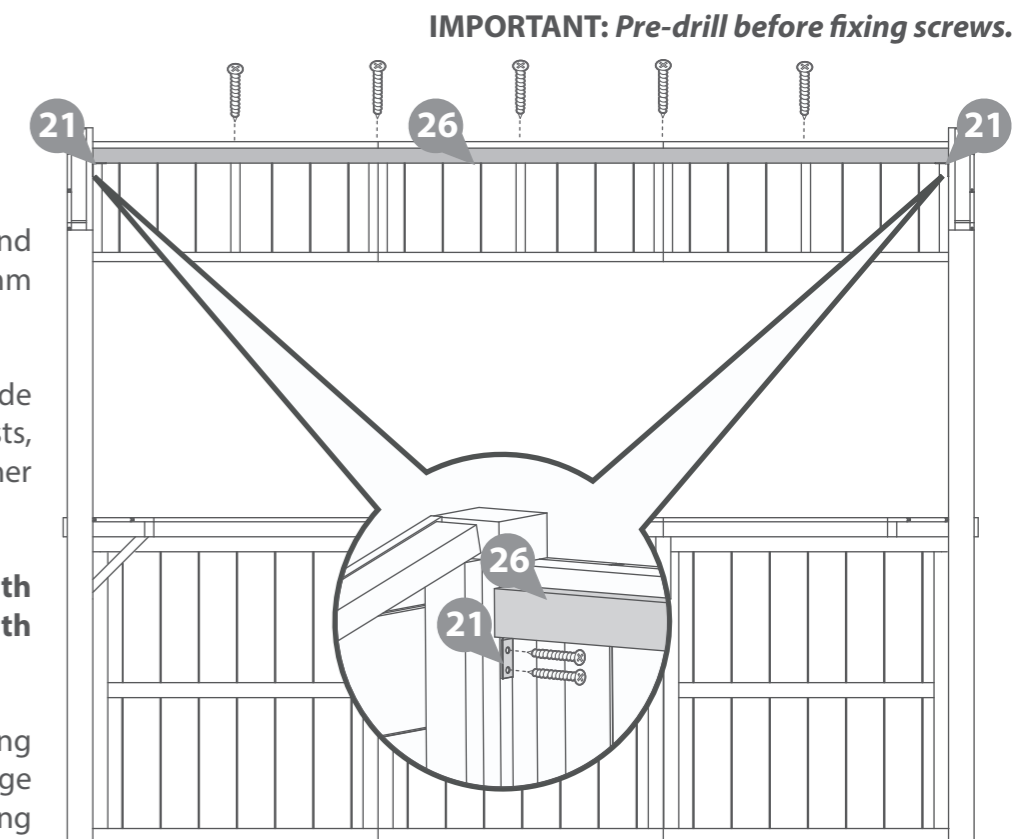
Fix the Corner Brace (No.21) to each end of the Ridge Bar (No.26) using 2x30mm screws per corner brace.

Locate the Ridge bar (No.26) to the inside of the building between the front posts, secure using 2x30mm screws per corner brace

****Tip: the ridge bar should sit flush with the underside of the roof, and flush with the top panel framing**

Fix the ridge bar to the front panels using 5x50mm screws going through the ridge bar and into the panel framing, ensuring the top panels are level

8x30mm Screws
5x50mm Screws



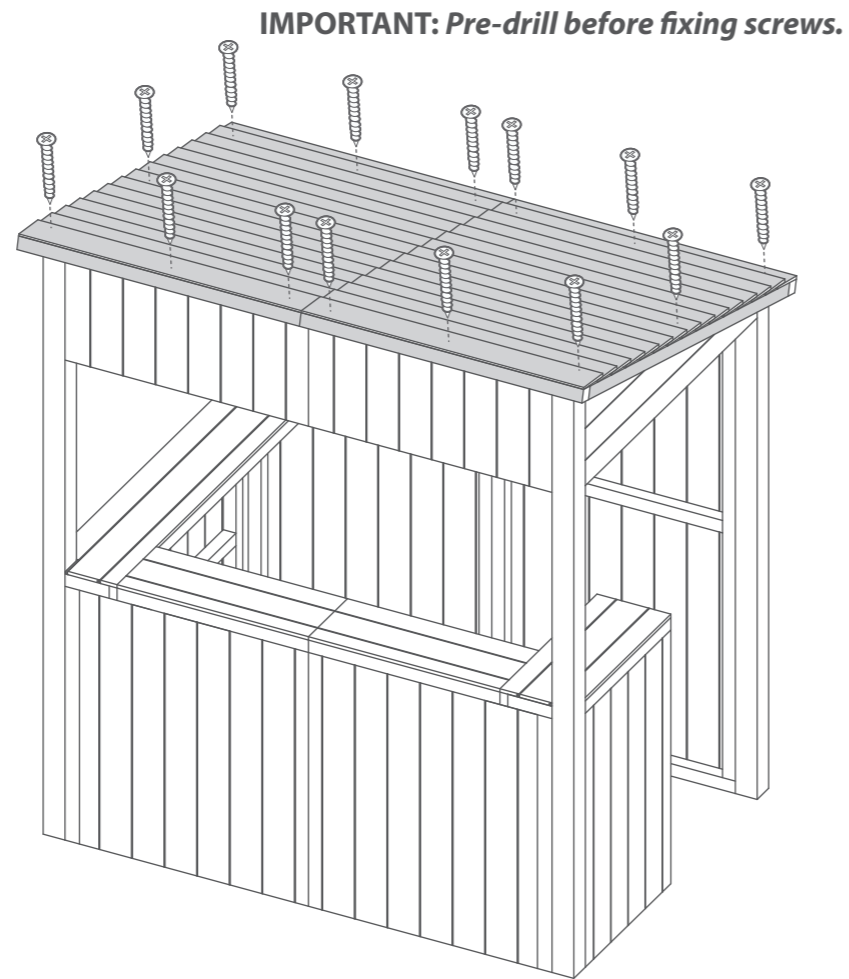
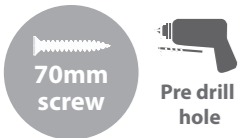
IMPORTANT: Pre-drill before fixing screws.

Step 14

Fix the roofs to the Building using 70mm screws, ensuring to go through into the panel framing below.

Ensure there is no more than 300mm between each screw.

14x70mm Screws

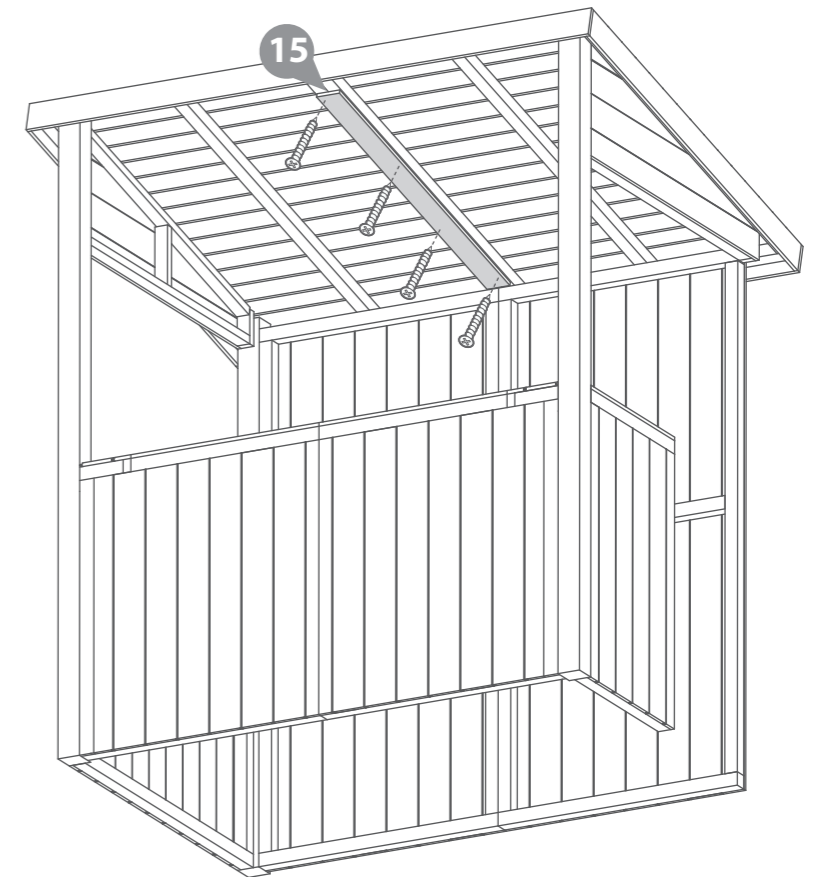
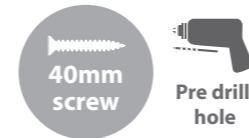


Step 15

Parts Needed- No.15 QTY 1

Fix the Roof cover trim (No.15) to the inside of the roof, equally spacing over the join in the roof, secure using 4x40mm screws in an alternating off set pattern.

4x40mm Screws



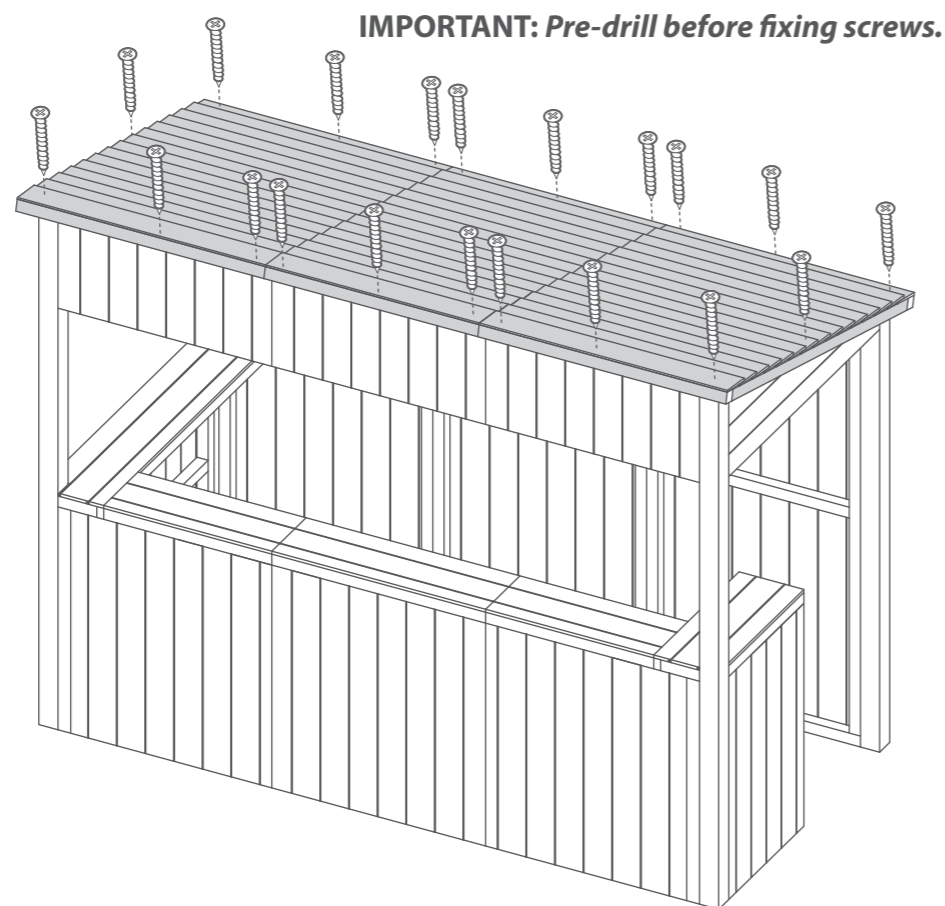
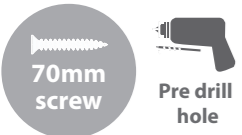
Extension Pack

Step 14A

Fix the roofs to the Building using 70mm screws, ensuring to go through into the panel framing below.

Ensure there is no more than 300mm between each screw.

20x70mm Screws



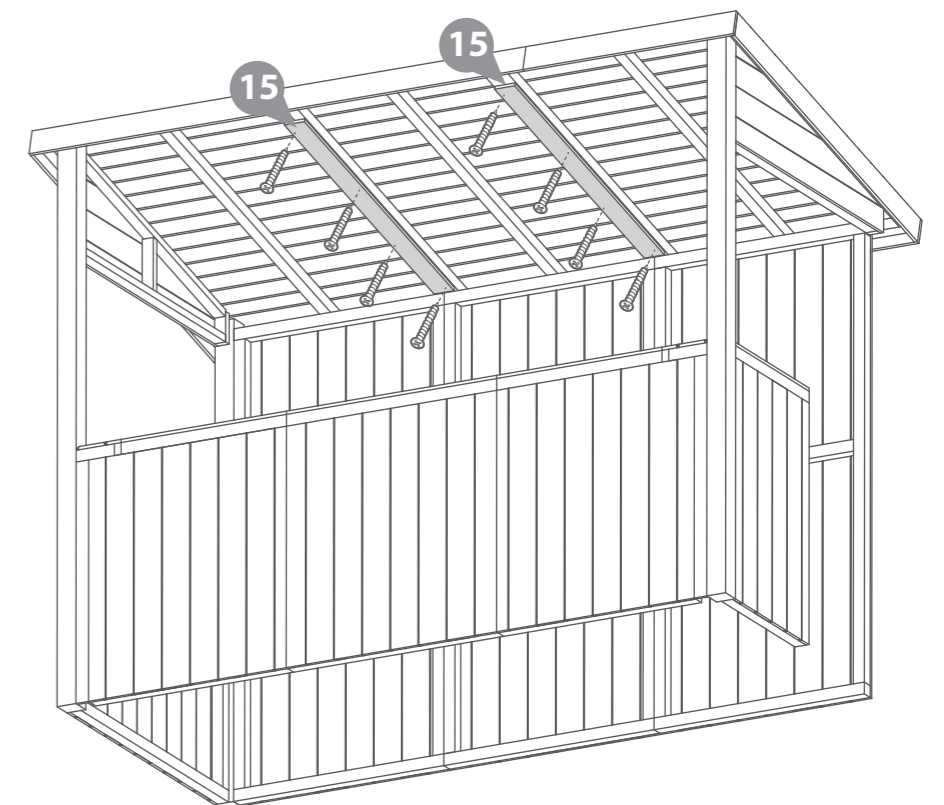
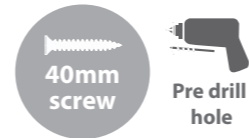
Extension Pack

Step 15A

Parts Needed- No.15 QTY 2

Fix the Roof cover trims (No.15) to the inside of the roof, equally spacing over the joins in the roof, secure using 4x40mm screws per join in an alternating off set pattern.

8x40mm Screws

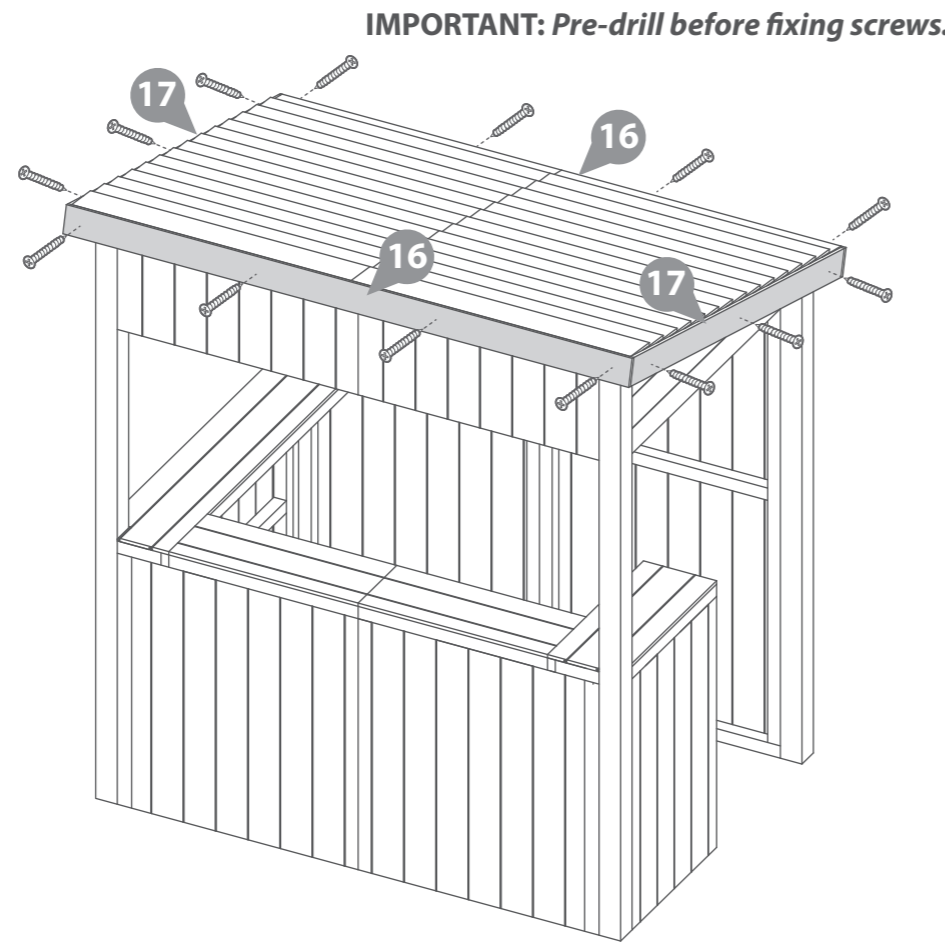
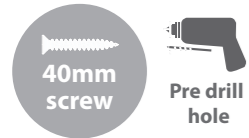


Step 16

Parts Needed- No.16 QTY 2
- No.17 QTY 2

Fix the Fascias (No.16 and No.17) to the sides of the roof, secure using 4x40mm screws for the front and back fascia (No.16) and 3x40mm screws for the side fascias (No.17).

14x40mm Screws



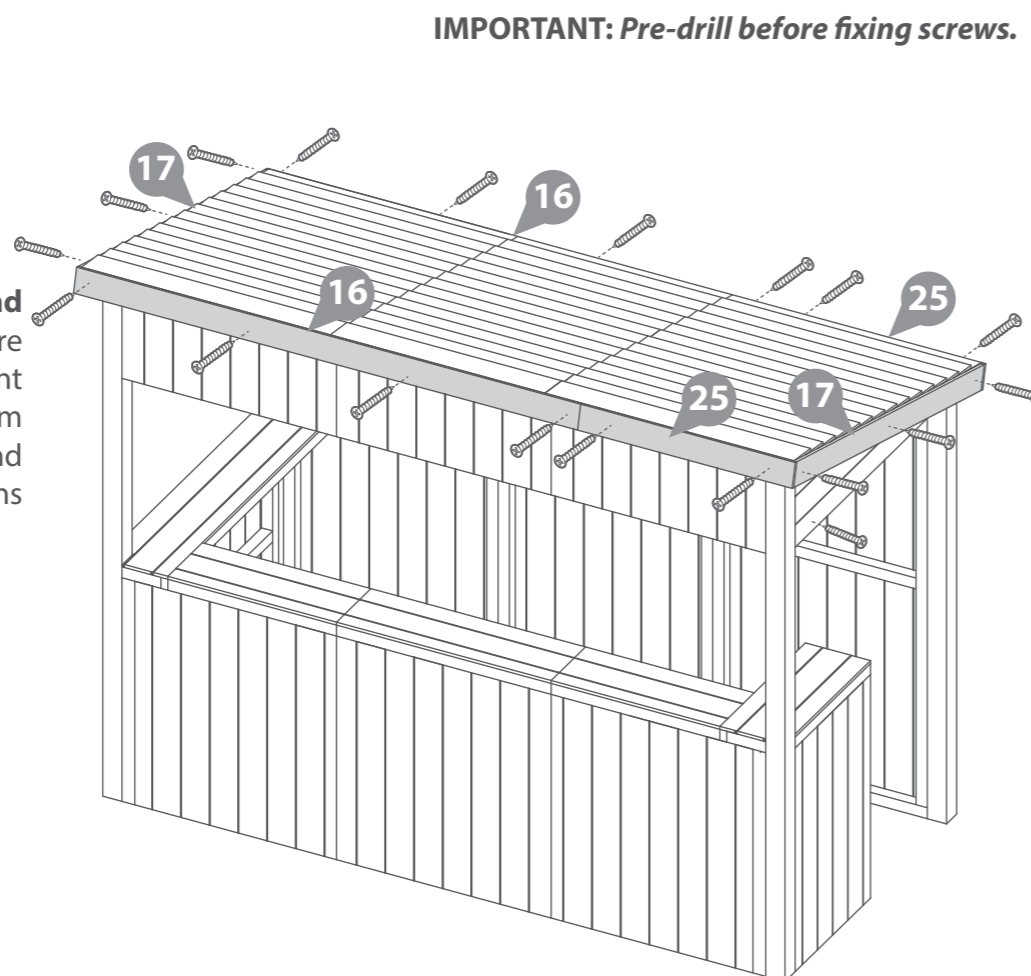
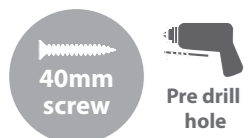
Extension Pack

Step 16A

Parts Needed- No.16 QTY 2
- No.17 QTY 2
- No.25 QTY 2

Fix the Fascias (No.16, No.17 and No.25) to the sides of the roof, secure using 4x40mm screws for the front and back fascia (No.16), 3x40mm screws for the side fascias (No.17) and 2x40mm for the Fascia Extensions (No.24).

18x40mm Screws



If a Shutter Pack has been Purchased, Please move onto the Shutter Instruction from here, otherwise continue onto the next page.

Step 17

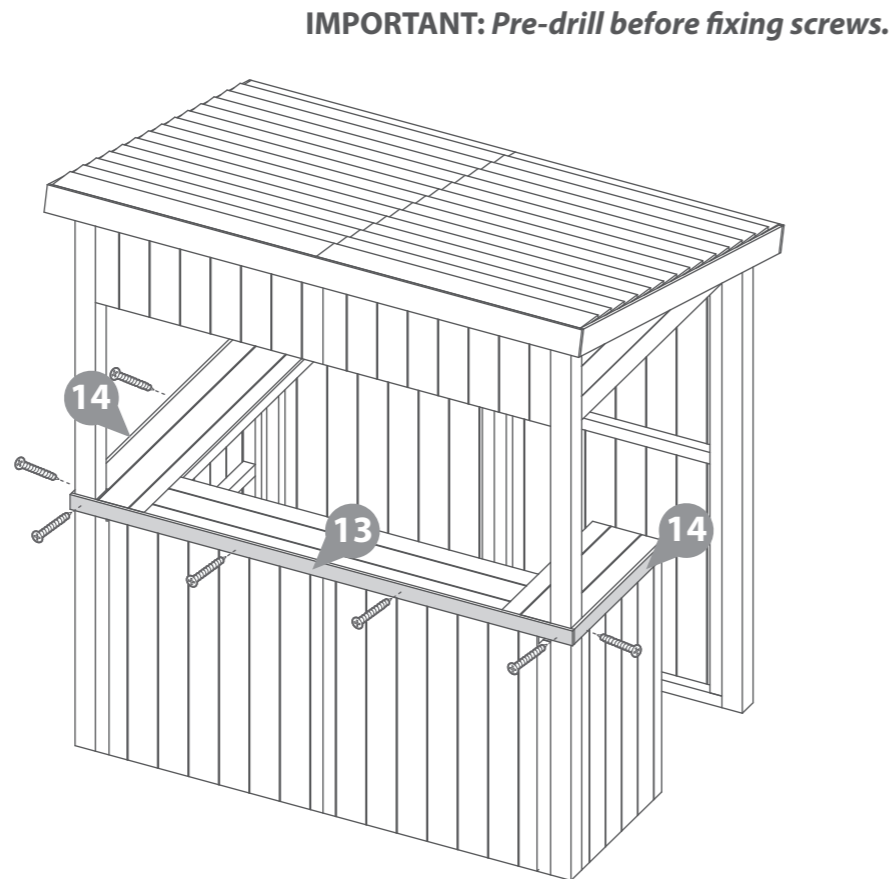
Parts Needed- No.13 QTY 1
- No.14 QTY 2

Fix the Cover trims (No.13 and No.14) to the bottom of the window openings, ensuring they sit flush to the top of the bar.

Secure using 4x40mm screws for the front Cover trim (No.13), 3x40mm screws for the side cover trims (No.14).

Cover trims may require cutting to size.

9x40mm Screws



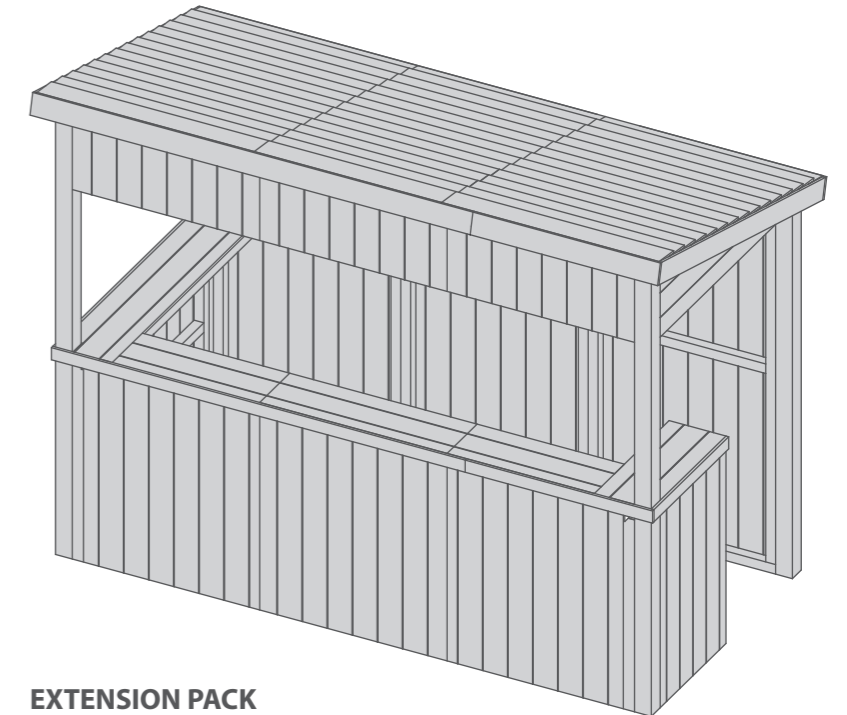
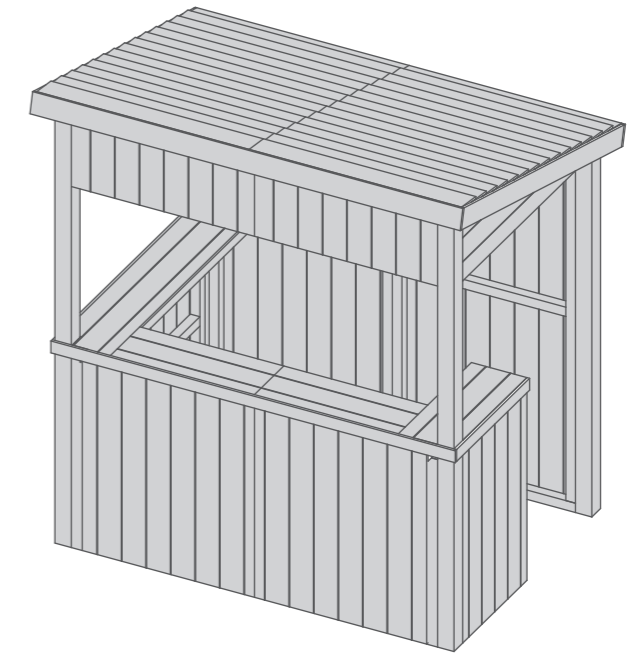
Step 18

Once constructed, apply a preserving treatment and a waterproofing treatment to your garden building as soon as possible. This will help to protect your building and prevent decay.

See page 16 for a full guide and instructions.



Apply treatment.



Extension Pack

Step 17A

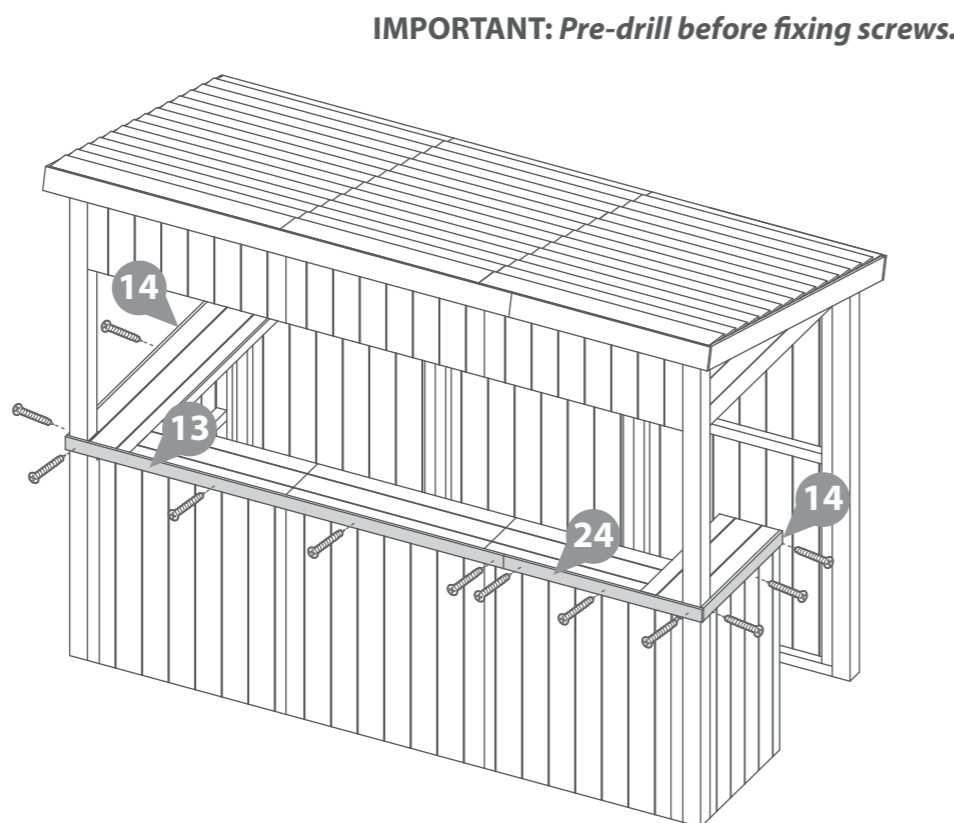
Parts Needed- No.13 QTY 1
- No.14 QTY 1
- No.24 QTY 1

Fix the Cover trims (No.13, No.14, and No.24) to the bottom of the window openings, ensuring they sit flush to the top of the bar.

Secure using 4x40mm screws for the front Cover trim (No.13), 3x40mm screws per side cover trims (No.14) and the cover trim extension (No.24).

Cover trims may require cutting to size.

12x40mm Screws



LEAVE US A REVIEW...



Want to share your experience with us?
Leave us a review on Feefo, TrustPilot or Google.

Your reviews help other people find and trust our business, as well as helping to play an important role in our growth and improvement!

TREATING YOUR GARDEN BUILDING

Preservation of wood that's outdoors is vital. A little early care will help protect your garden building, improve its appearance and ensure maximum longevity. Insects, moisture, salt, and changing weather can have dramatic effects on the stability and appearance of your garden building. Once your building is installed, you've checked it over and you're happy with it, you can take a few basic precautions to prepare it for the elements. Treating your garden building helps prevent decay and, by repelling water, discourages the growth of moulds and fungi that could jeopardise the structural integrity of the wood.

Dip Treated buildings - Require a preservative treatment to protect against rot and decay and a waterproof treatment to prevent water ingress
Pressure Treated buildings - Require a waterproof treatment to prevent water ingress
Log Cabins/Insulated Garden Rooms - Are supplied untreated and require a preservative and waterproofing treatment.



ANY QUESTIONS?
Scan the QR code to contact us via our customer portal.

To apply a preservative and water proofing treatment (pressure treated products do not require a preserver), follow the manufacturer's instructions but in principle, stick to the following steps:

- ✓ Wear latex or rubber gloves, eye protection and (if spraying) a mask.
- ✓ Prepare the wood, by sanding down any ridges or inconsistencies in the wood, smoothing out knots and end-cuts.
- ✓ Choose a dry day to treat your garden building. If you're spraying rather than brushing paint on, avoid a windy day.
- ✓ Be sure you can safely reach all the sections you need to paint - and if you need a ladder, make sure it's safely positioned before climbing. Lay dust sheets around to avoid paint splatters on your base or surrounding plants.
- ✓ Tape around windowpanes to avoid smears when you're painting the frames.
- ✓ Keep pets and small children out of the way. The last thing you want is to have fur on your garden building paint, or little painted footprints all over your garden and home.
- ✓ Fill any gaps in the building's body with caulk or wood filler to prevent water and draughts getting in. Silicone based caulk is flexible and will move with the timber when temperature and humidity change. Allow to dry completely before treating. A handy tip for finding gaps is to go into your garden building and look for light leaking through joins and frames. If light gets in, then so will water.
- ✓ Liberally apply at least two coats of the treatment products with a brush or spray, taking care to allow the first coat to completely dry before applying the second.
- ✓ Make sure the solution permeates the whole of the surface area, especially around natural cracks, end cuts and nail/screw holes.



APPLY WOOD TREATMENT
IMMEDIATELY
AFTER ASSEMBLY

PLEASE SCAN HERE TO
SEE TREATMENT VIDEO:



1 Perimeter

Check around the perimeter of your product to ensure there are not trees or plants that are in contact with or overhanging the building. This can affect airflow and overhanging trees, or branches can damage the roof, it is advised to keep plants at a distance.

2 Repair

Inspect the interior and exterior of the product to look for splits, cracks, and holes. Although this is a natural occurrence it can be prevented. A wood filler can be used to close the splits, cracks, and holes.

3 Roof

Check your roof regularly for tears, splits, damaged wood and fallen debris. If you notice any of this immediate repair is critical.

4 Doors & Windows

Expansion and contraction can cause doors and windows to stick or become difficult to open. Small adjustments to the hinge position can be made to the doors and windows to allow free movement.

5 Oil

Hinges can seize up over time, apply lubricant to the hinges and locks annually.

6 Screws & Bolts

It is advised to check all screws and bolts and tighten any loose you might find. For log cabins specifically the storm braces will require loosening. During humidity and temperature changes (seasons) to allow expansion and contraction to prevent gaping, twisting, popping, and warping.

7 Wash

At least once a year, give the outside of your building a good wash, to remove cobwebs, leaves, or any other dirt that may accumulate on the exterior.

8 Airing

Airing your product regularly prevents the build up of condensation which can cause the timber to warp, bow, boards to pop, distortion, rot and mould. Condensation can build up over time or daily, it is caused by a rise and fall in temperature.

Excessive moisture levels within your building can cause water to collect on the roofs, walls and floors internally. Leaving doors and windows open regularly can help combat the natural moisture build up.

9 Clean & Tidy

It is good practice to clean the inside and outside of your product regularly. Clear out the contents, sweep the floor, remove dirt and cobwebs. Check for areas of damp and investigate the cause to remove and prevent future occurrences. Check the ground around your product for build up of debris such as leaves, remove and ensure there is clear ventilation underneath the floor.

Additional Playhouse Maintenance:

It is recommended that the following checks and maintenance are carried out at the beginning of each season as well as at regular intervals during the usage season.

- Check all nuts /bolts/ screws for tightness and tighten when required.
- Check for movement / opening of wood giving rise to protrusion of nail heads and tips.
- Check hinges.
- Replace defective parts in accordance with the manufacturers instructions.
- Check any crossbeams, suspensions and anchors.
- If a swing is included; check the swing seat, chains and ropes.

IF THESE CHECKS ARE NOT CARRIED OUT THE ACTIVITY TOY COULD BECOME A HAZARD

All our garden buildings have been designed and manufactured with care and attention to be the perfect addition to your outdoor space. To ensure you do get the best out of your new garden building and to increase the longevity we advise that you follow the product instructions and our manufacturer's recommendations as detailed below. Thank you for choosing a Mercia Garden product!

1 Choosing the most suitable location for your garden building...

A minimum of 60cm should be left around the perimeter of your garden building to allow access for maintenance, annual treatment and to allow air flow around the building.

Where possible you should avoid placing your garden building underneath large trees to prevent the tree causing damage to the building.

2 Preparing the base for your garden building...

All our buildings must be built on a firm, level base to ensure the longevity of the building and prevent the wood from distorting. We recommend either concrete, concrete slabs or a wooden base, such as our 'Portabase'.

The base should be slightly smaller than the external measurement of the building, i.e. the cladding should overlap the base, creating a run off for water and preventing water from pooling underneath the building.

We also recommend that the floor of the garden building is a minimum of 25mm above the surrounding ground level to avoid flooding.

3 After installation...

Once your garden building has been installed, it will need to be treated within 14 days (weather permitting) and annually to prevent the timber from deteriorating and to waterproof it. This is required to maintain the anti-rot guarantee.

Dip Treated buildings - Require a preservative treatment to protect against rot and decay and a waterproof treatment to prevent water ingress.

Pressure Treated buildings - Require a waterproof treatment to prevent water ingress.

Log Cabins/Insulated Garden Rooms - Are supplied untreated and require a preservative and waterproofing treatment.

We also recommend using a silicon sealant on the inside and outside of the windows as soon as possible after assembly and treatment to fully seal the windows.

Roofing felt/covering should be checked annually and replaced or fixed accordingly.

4 General maintenance and wood characteristics

As wood is a natural material it may be affected by the following:

Shrinkage and warping - The timber used in the construction of your garden building will have retained some of its natural moisture content. The moisture content of the timber will vary, depending upon prevailing environmental conditions, which will result in the components either naturally expanding or contracting. As the components dry out, shrinkage may occur. A good waterproofing treatment from the start is the best protection to minimise the effect of moisture loss/intake.

In extended periods of very warm weather getting some moisture to the building will help the overall balance. You can do this by spraying it down lightly with a garden hose. In contrast, after snow fall try to remove the snow as best as possible from the roof to prevent moisture intake and to remove the extra weight.

Top tip - using a garden brush will help you to reach the highest part of the building to remove snow and any debris left from bad weather.

Damp and mould - During the winter months, cold and damp conditions can result in an increased amount of moisture within your garden building, especially when used infrequently. Condensation can form on the timber and other items stored within your garden building. If left this moisture is likely to cause mould and mildew.

To prevent the build-up of moisture, we recommend leaving the door or windows of your building open from time to time, to allow the fresh air to circulate. We also advise against storing wet or damp items in your garden building as this will also increase the level of moisture in the building. If mould or mildew does start to form within your building we recommend using an anti-mould cleaner to remove it and to prevent it spreading, which if left untreated could permanently damage your garden building.

Splits, cracks and knots - You may notice small splits and cracks in some components or holes may appear where knots shrink and fall out. This will not affect the structure of your Garden building however, if you wish to fill them this can be easily done using any good quality wood filler.

Sap - is naturally occurring in wood and may appear in some boards of your garden building. If you wish to remove the sap, we advise waiting until it is dry and then using a sharp knife to carefully remove it. If the removal of the sap causes a hole in the timber, we recommend using a good quality wood filler to fill it.

For more handy hints and tips on how to care and maintain your garden building please refer to the MGP Customer Portal at www.mgplogistics.co.uk

Any further questions?

Contact our
Customer Service Team via the MGP
Customer Portal at:
www.mgplogistics.co.uk

1 Manufacturer's Warranty

All Mercia Garden Products are supplied with a 1 year warranty on all parts against manufacturing defects.

This warranty does not cover movement, warping or splitting of timber products over time.

This warranty will be voided if any of the following occur:

1. The building has been customised or modified/adapted in any way.
2. The person claiming is not the original purchaser of the building.
3. Any damage has been caused by or as a result of misuse.
4. The building has not been maintained and cared for in accordance to our advisories and manufacturer's recommendations.
5. The building has not been treated annually or as per the manufacturer's recommendations, please ensure receipts are kept to validate this claim.
6. The building has not been erected, fitted or installed as per the supplier instructions.
7. The building has not been erected on a suitable sized firm flat, solid level concrete/slab base or placed on pressure treated bearers.
8. The building is or has been placed with 2 feet (600mm) of any obstructions (walls, trees, plants, fences etc.) which can allow moisture to penetrate the timber.
9. The roofing felt has been incorrectly fitted or damaged, allowing water ingress, or has not been properly maintained.
10. Any windows and joints have not been sealed, inside and out, with silicone or other watertight sealant.
11. Any timber has been cut, pierced or drilled without subsequent application of approved cut-end treatment.

2 Anti-rot Guarantee

Mercia Garden Products offer a 10 year anti-rot guarantee on all dip treated (a preparatory treatment) and 15 years on all pressure treated products. This guarantee covers solid timber against rot, decay, blue stain and insect attacks.

To validate the guarantee, the building must be treated (as detailed within manufacturer's recommendations) within 14 days (weather permitting) of assembly and annually thereafter.

This guarantee does not cover movement, warping or splitting of timber products over time.

This guarantee will be voided if any of the following occur:

1. The building has been customised or modified/adapted in any way.
2. The person claiming is not the original purchaser of the building.
3. Any damage is caused by or as a result of misuse.
4. The building has not been maintained and cared for in accordance to our advisories and manufacturer's recommendations.
5. The building has not been treated annually or as per the manufacturer's recommendations, please ensure receipts are kept to validate this claim.
6. The building has not been erected, fitted or installed as per the supplier instructions.
7. The building has not been erected on a suitable sized firm flat, solid level concrete/slab base or placed on pressure treated bearers.
8. The building is or has been placed with 600mm of any obstructions (walls, trees, plants, fences etc.) which can allow moisture to penetrate the timber.
9. The roofing felt has been incorrectly fitted or damaged allowing water ingress, or has not been properly maintained.
10. Any windows and joints have not been sealed, inside and out, with silicone or other watertight sealant.
11. Any timber has been cut, pierced or drilled without subsequent application of approved cut-end treatment.



**REGISTER FOR YOUR
ANTI-ROT
GUARANTEE TODAY**

PLEASE SCAN HERE:

