

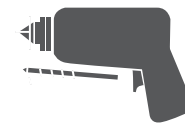
01DTPRMSHPN0804SDOW-V1
DIP TREATED PREMIUM SHIPLAP PENT, 8X4.



x2 All buildings should be erected by two adults



Winter = High Moisture = Expansion
 Summer = Low Moisture = Contraction



2mm Drill bit

For ease of assembly, you **MUST** pilot drill all screw holes and ensure all screw heads are countersunk.



CAUTION
 Every effort has been made during the manufacturing process to eliminate the prospect of splinters on rough surfaces of the timber. You are strongly advised to wear gloves when working with or handling rough sawn timber.

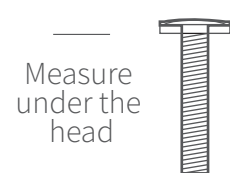


For ease of assembly, you will need a tape measure to check dimensions of components.

Screws & Nails



Bolts



To identify the fixings required for each step use a measuring tape.

****Protim Aquatan T5 (621)****

Your building has been dip treated with Aquatan.

Aquatan is a water-based concentrate which is diluted with water, the building as been treated by the correct application of Aquatan solution and then allowed to dry.

Aquatan is a decorative finish to colour the wood, which is applied industrially to timber fence panels and garden buildings.

Aquatan undiluted contains: boric acid, sodium hydroxide 32% solution, aqueous mixture of sodium dioctyl sulphosuccinat and alcohols: 2, 4, 6-trichlorophenol.

BEFORE YOU START PLEASE READ INSTRUCTIONS CAREFULLY

- Check the pack and make sure you have all the items listed in the parts list provided.
- When you are ready to start, make sure you have the right tools at hand (not supplied - see the equipment list on next page).
- Ensure there is plenty of space and a clean dry area for assembly.
- Ensure you have enough time to build the product to ensure the building is water tight.

LOCATION FOR YOUR GARDEN BUILDING

A minimum of 600mm should be left around the perimeter of your garden building to allow access for maintenance, annual treatment and to allow air flow around the building.

Where possible you should avoid placing your garden building underneath large trees to prevent the tree causing damage to the building.

TIMBER

As with all natural materials, timber can be affected during various weather conditions. For the duration of heavy or extended periods of rain, swelling of the wood panels may occur. Warping of the wood may also occur during excessive dry spells due to an interior moisture loss. Unfortunately, these processes cannot be avoided but can be helped. It is suggested that the outdoor building is sprayed with water during extended periods of warm sunshine and sheltered as much as possible during rain or snow.

Once your garden building has been installed it will need to be treated within 14 days (weather permitting) and annually to prevent the timber from deteriorating and to waterproof it. This is required to maintain the anti-rot guarantee.

Dip Treated buildings - Require a preservative treatment to protect against rot and decay and a waterproof treatment to prevent water ingress

Pressure Treated buildings - Require a waterproof treatment to prevent water ingress

Log Cabins/Insulated Garden Rooms - Are supplied untreated and require a preservative and waterproofing treatment.

BUILDING A BASE

When thinking about where the building and where the base is going to be constructed: Ensure that there will be access to all sides for maintenance work and annual treatment.

Ensure the base is level and is built on firm ground, to prevent distortion. Refer to diagrams for the base dimensions, The base should be slightly smaller than the external measurement of the building, i.e. The cladding should overlap the base, creating a run off for water. It is also recommended that the floor be at least 25mm above the surrounding ground level to avoid flooding.

TYPES OF BASE

- Concrete 75mm laid on top of 75mm hard-core.
- Slabs laid on 50mm of sharp sand.
- Wooden base.

Whilst all products manufactured are made to the highest standards of safety and in the case of children's products independently tested to EN71 level, we cannot accept responsibility for your safety whilst erecting or using this product.

REGISTER FOR YOUR ANTI-ROT GUARANTEE TODAY

PLEASE SCAN HERE:

In all instances for assistance with your product, please contact us via our customer portal: <https://www.mgplogistics.co.uk/>.

Mercia Garden Products Limited,
 Sutton On Trent,
 Newark,
 Nottinghamshire,
 NG23 6QN

TO DO LIST

- Find a suitable location to build *(see front cover for further information).*
- Build a base *(see front cover for further information).*
- Check the base is flat, level, clear of debris and has 60cm clearance on all sides.
- Check you have the required equipment.
- Check you have all the product items listed *(if you have missing or damaged parts please contact the customer services department, see front cover for contact details).*
- Install the product as per the step by step instructions within this pack.
- Prepare the product ready for treatment.
- Apply a preserving and a waterproofing treatment within 14 days *(weather permitting)* of installation *(pressure treated products do not require a preserver).*
- Register for your anti rot guarantee *(scan the QR below).*
- Tidy the build area and dispose of any remaining parts responsibly.
- Maintain your building *(see the manufacturers recommendations at the back of this pack).*

EQUIPMENT LIST

- Hammer
- Flat Head Screwdriver
- Drill
- Drill Bit Set
- Phillips and Slotted Bit Sets
- Tape Measure
- Hand Saw
- Spirit Level
- Ladders/Steps
- Stanley Knife/Cutting Tool
- Sand Paper
- Gloves
- Silicone (For Windows Only)
- Wood Filler (Optional)
- Timber Preservative Treatment *(not pressure treated products)*
- Timber Water Proofing Treatment
- Treatment Mixing Stick
- Paint Brush/Sprayer/Roller

NEED EXTRA SUPPORT

If you are unsure that your base preparation will be suitable, please contact us on 01636 821215 to discuss this further.

Alternatively, you can visit our website or MGP Logistics Online Portal for some further shededucation.

Website:

<https://www.merciagardenproducts.co.uk/sheducation>

MGP Logistics Online Portal:

<https://www.mgplogistics.co.uk/>

Here you will find plenty of useful information that'll help with most pre-installation and maintenance queries.

PLEASE SCAN HERE:



ANY QUESTIONS?

Scan the QR code to contact us via our customer portal.

NOTES

ACCESSING VIDEO GUIDES...

Some steps within this set of instructions come with an added video guide for your convenience. These can be accessed via the QR code and used to aid you in constructing that step. See below for how to use.

You can also find all the videos on our youtube channel:
<https://www.youtube.com/@merciagardenproducts8716/videos>

1. Find the QR code within the instruction step...

Step.....

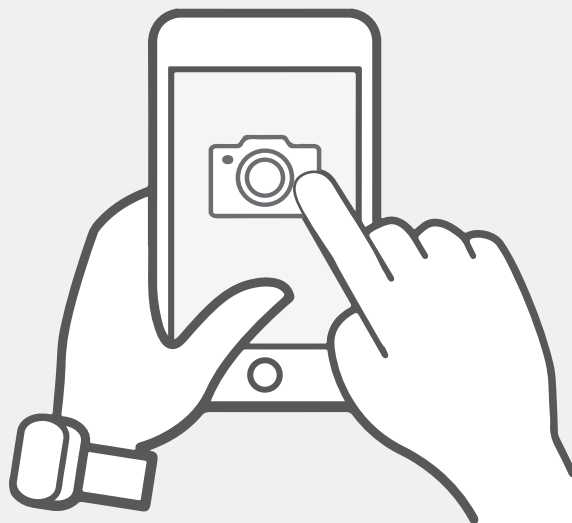
Parts Needed- No. QTY 1
No. QTY 1
No. QTY 1



Within the instruction step, there will be an icon in the top right that has a QR code in. This is where the video can be accessed from.

Please note: not every step has a video guide.

2. Open camera app...



On your personal smart device (phone, tablet etc), open your camera app or QR code scanner app.

ACCESSING VIDEO GUIDES...

3. Scan QR code...



To scan the QR code, hold the camera over the QR code so that it can be seen on the screen. Once the QR code has been registered, follow the prompts on your device to open the video. (This will vary depending on your device.)

Please note: Ensure to use the back camera of your smart device as this will scan the QR code more accurately.

4. Watch the video...



The video guide will now be displayed on your smart device.

Disclaimer: The garden building constructed in the video guides may be constructed differently to your building. Please ensure to read your instructions carefully to avoid error.



See back of instructions for 8x8 Combi shed and greenhouse assembly

Overall Dimensions: Width = 2550mm
 Depth = 1322mm
 Height = 2130mm

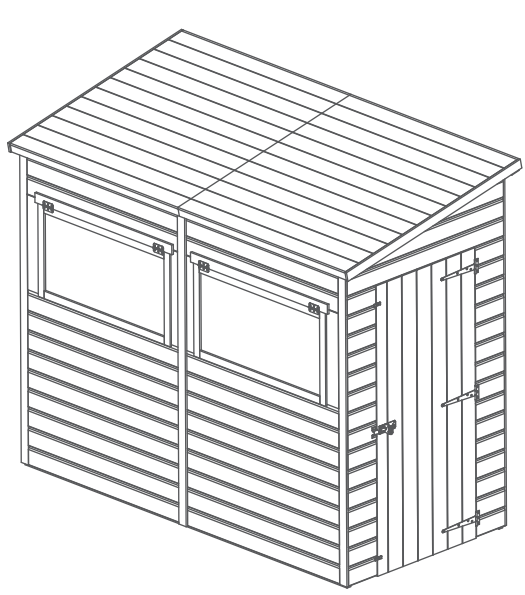
Base Dimensions: Width = 2442mm
 Depth = 1174mm

Assembly options:

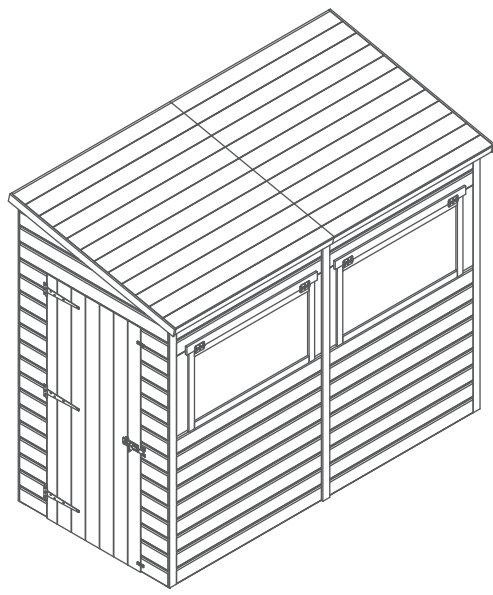
This building is modular. The side panels are all interchangeable and can be positioned in a variety of configurations, some of which are shown below.

Decide which assembly works best before beginning construction.

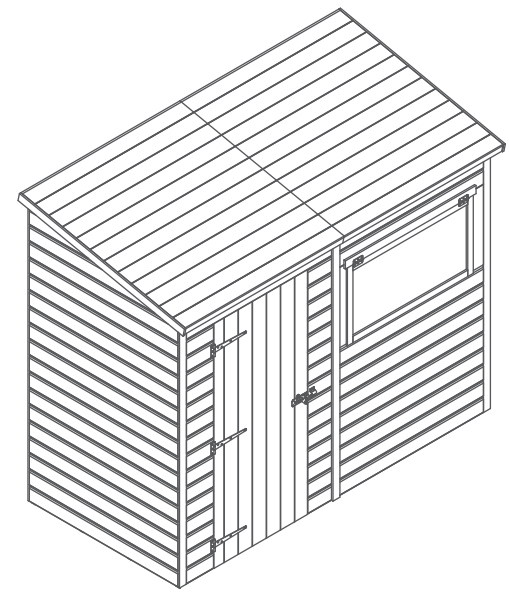
Assemblies shown throughout the instructions are for illustrative purposes.



Door on the right, both windows on the front.



Door on the left, both windows on the front.



Door on the front, one window on the front, one window on the side.

Building Content:

1	2	3	4
Plain Panel QTY 3 <i>AI-S21SHPP1180X1801-V1</i>	Window Panel QTY 2 <i>AI-01S21SH1LFW1180X1801-V1</i>	Door Panel QTY 1 <i>AI-01S21SHSD1180X1801-V1</i>	Floor Panel QTY 2 <i>AI-R11MBF1221X1175-V1</i>
5	6	7	8
Roof Panel QTY 2 <i>AI-S21MBPR1263X1322-V1</i>	Gable Top Left QTY 1 <i>AI-S21SHPGTL1180X304-V1</i>	Gable Top Right QTY 1 <i>AI-S21SHPGTR1180X304-V1</i>	Panel Top QTY 2 <i>AI-S21SHPP1180X251-V1</i>
9	10		
Door QTY 1 <i>AI-S21FBMBZBD743X1683-V1</i>	Window QTY 2 <i>AI-FW1000X540-V1</i>		



11 Large Cover Trim - 12x55x2025mm QTY 3
S1255-2025MM



12 Small Cover Trim - 12x55x1793mm QTY 3
S1255-1793MM



13 Large Fascia - 12x55x1340mm QTY 2
S1255-1340MM



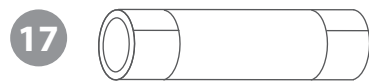
14 Small Fascia - 12x55x1263mm QTY 4
S1255-1263MM



15 Floor Block - 28x28x400mm QTY 3
F2828-400MM



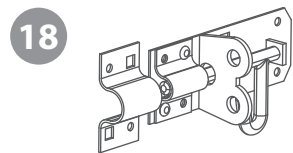
16 Window Strip - 12x56x1038mm QTY 2
S1256-1038mm



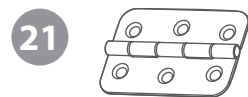
17 Felt
PI-01-0015



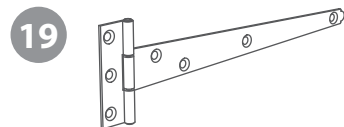
20 Turn Button QTY 2
PI-07-0034



18 Pad bolt QTY 1
PI-07-0035



21 Butt Hinge QTY 4
PI-07-0066



19 T Hinge QTY 3
PI-07-0021



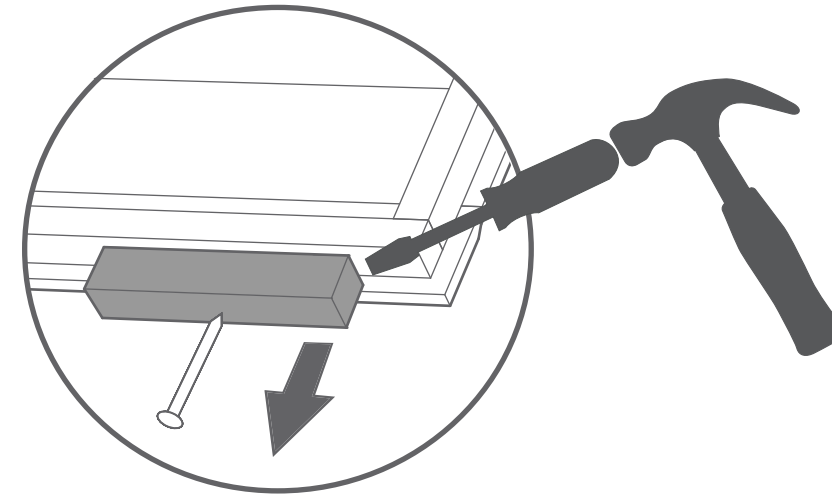
22 Casement Stay QTY 2
PI-07-0007

Pre Assembly

Before assembling remove the transportation blocks from the bottom of each panel.

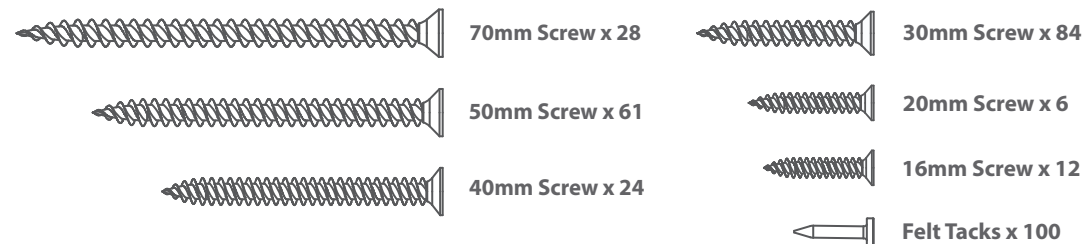
Take care removing the blocks as to not damage the panels. Tap with a flat headed screwdriver and hammer.

Dispose of the blocks once removed.



Nail Bag

There may be extra screws present in the nail bag



Step 1

**Parts needed - No. 3 QTY 1
No. 9 QTY 1
No. 19 QTY 3**

Locate the Door (No.9) into the Door Panel (No.3) ensuring there is equal spacing on each side.

Locate the T-Hinges (No.19) onto the door (No.9) and Door Panel (No.3), ensuring to line them up with the door blocks on the back of the door.

Please note: Ensure to fix your hinges in accordance with what side you want the door to open on.

Secure in place using 7x30mm screws per T-hinge.

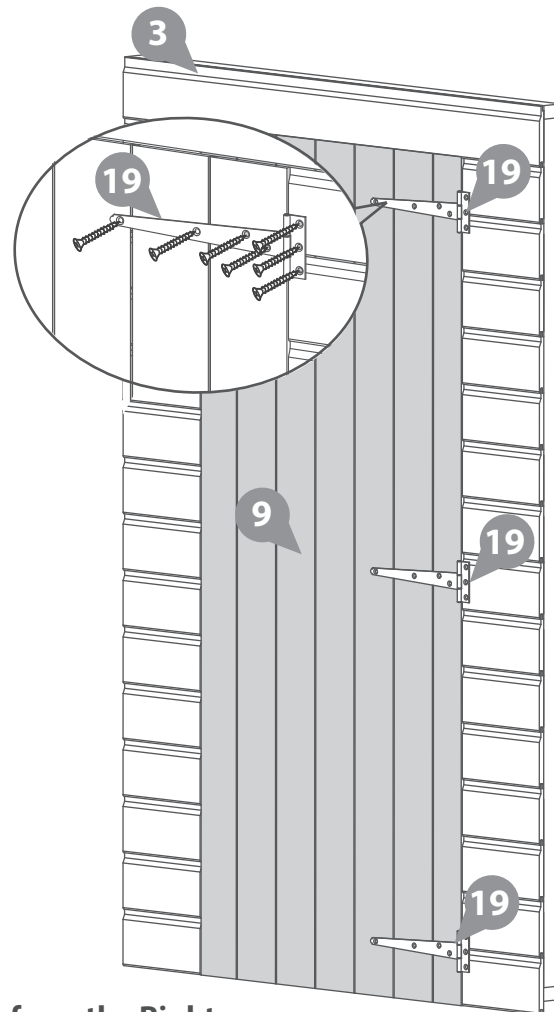
21x30mm screws.



****PLEASE NOTE**** Before fitting the hinges, ensure the door is in the correct position depending on which side you want the door to open. See external illustrations below which show the doors internal framing.

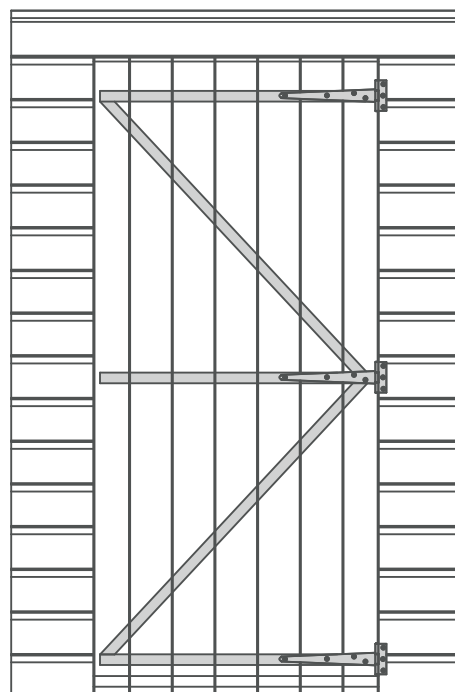
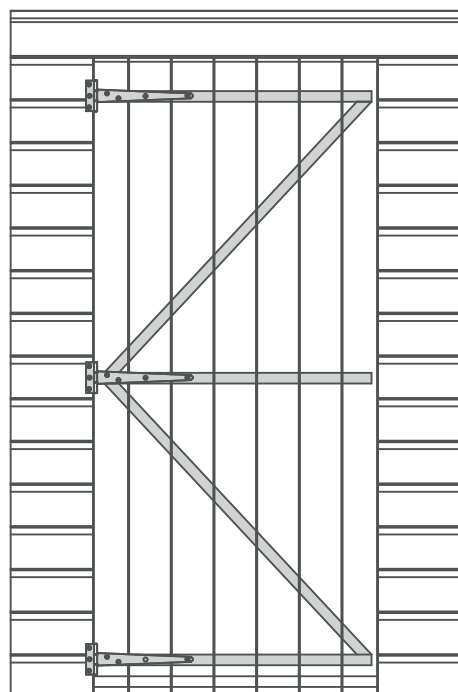
IMPORTANT: Pre-drill before fixing screws.

PLEASE SCAN HERE:



Opens from the Left

Opens from the Right



Step 2

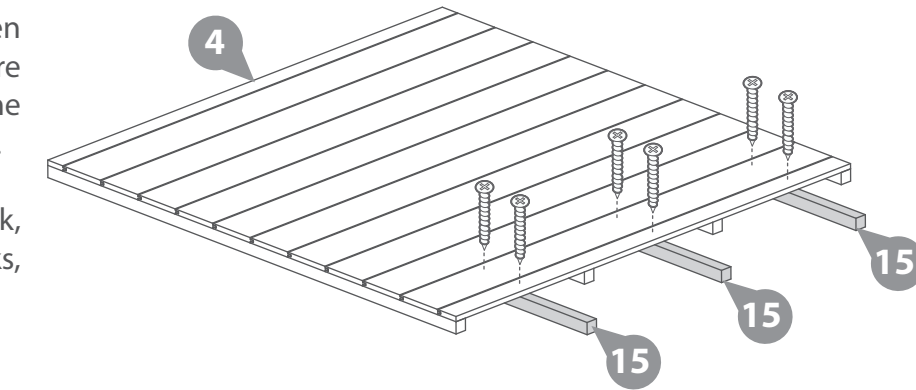
**Parts needed - No. 4 QTY 1
No. 15 QTY 3**

Place the Floors (No. 4) on a firm and level base, ensure base has suitable drainage free from areas where standing water can collect. (See front page on base requirements).

Locate three Floor Blocks (No.15) between the bearers of one Floor panel (No.4). Ensure the blocks are spaced centrally between the bearers and the end of the panel, as shown.

Fix in place using 2x30mm screws per block, screwing through the Floor into the blocks, as shown.

6x30mm screws.



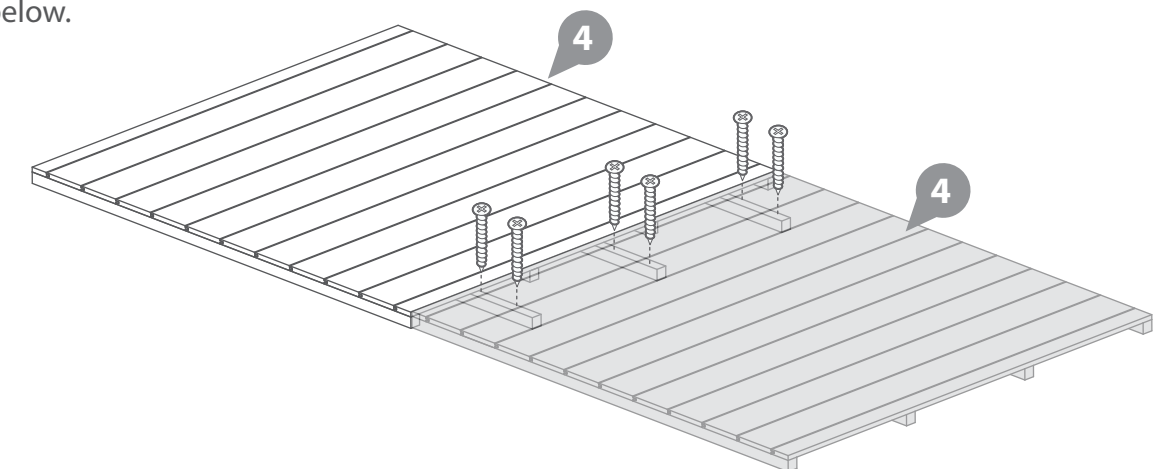
Step 3

Parts needed - No. 4 QTY 1

Locate the second Floor (No.4) up against the first, ensuring they are level and flush.

Secure the floors together by screwing through the second floor (No.4) into the Floor blocks (No.15) below.

6x30mm screws.



IMPORTANT: Pre-drill before fixing screws.

Step 4

Parts needed - No. 1 QTY 1 (or QTY 2)
 No. 2 QTY 1 (or QTY 2)
 (Or No.3 QTY 1)

**** Please note: The side panels are all interchangeable and can be positioned in a variety of configurations, Decide which works best before assembly. Assemblies shown are for illustrative purposes.**

Place the Plain Panel (No.1) and the Window Panel (No.2), or panels of your choice, onto the floor. Fix the panels together at the corner using 3x50mm Screws

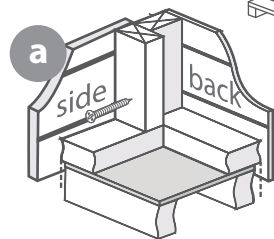
Do not secure the building to the floor until the roof has been fitted.

Position the panels so there is equal spacing between the floor and cladding on all sides.

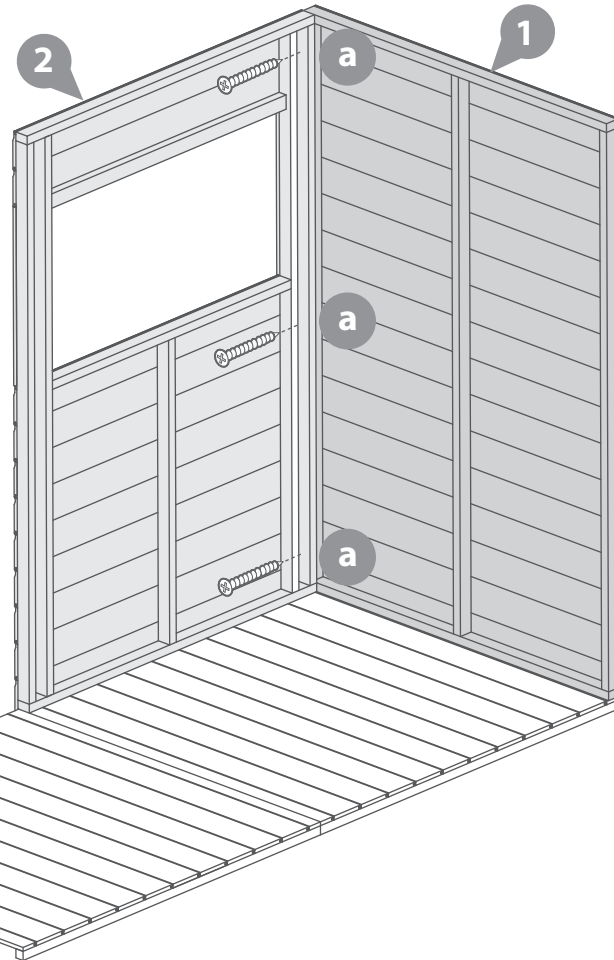
3x50mm screws.



50mm screw



IMPORTANT: Pre-drill before fixing screws.



Step 5

Parts needed - No. 1 QTY 1 (or QTY 2)
 No. 2 QTY 1 (or QTY 2)
 (Or No.3 QTY 1)

Place the Plain Panel (No.1) and the Window Panel (No.2), or panels of your choice, onto the floor. Fix the panels together using 3x50mm Screws

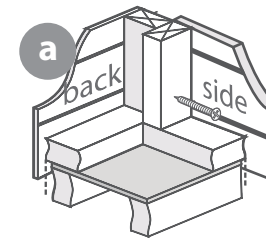
Do not secure the building to the floor until the roof has been fitted.

Position the panels so there is equal spacing between the floor and cladding on all sides.

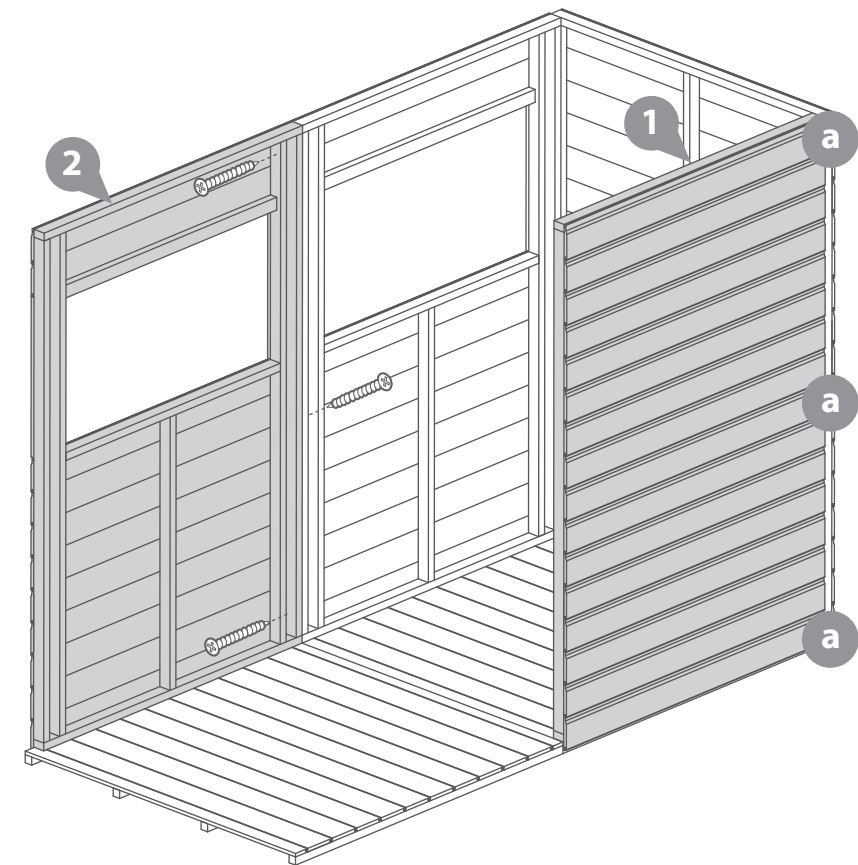
6x50mm screws.



50mm screw



IMPORTANT: Pre-drill before fixing screws.



Step 6

Parts needed - No. 1 QTY 1
 No. 3 QTY 1
 (Or No.2 QTY 1)

Place the Plain Panel (No.1) and the assembled Door Panel (No.3), or panels of your choice, onto the floor, Fix the panels together using 3x50mm Screws.

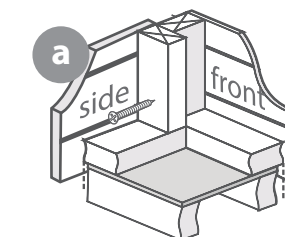
Do not secure the building to the floor until the roof has been fitted.

Position the panels so there is equal spacing between the floor and cladding on all sides.

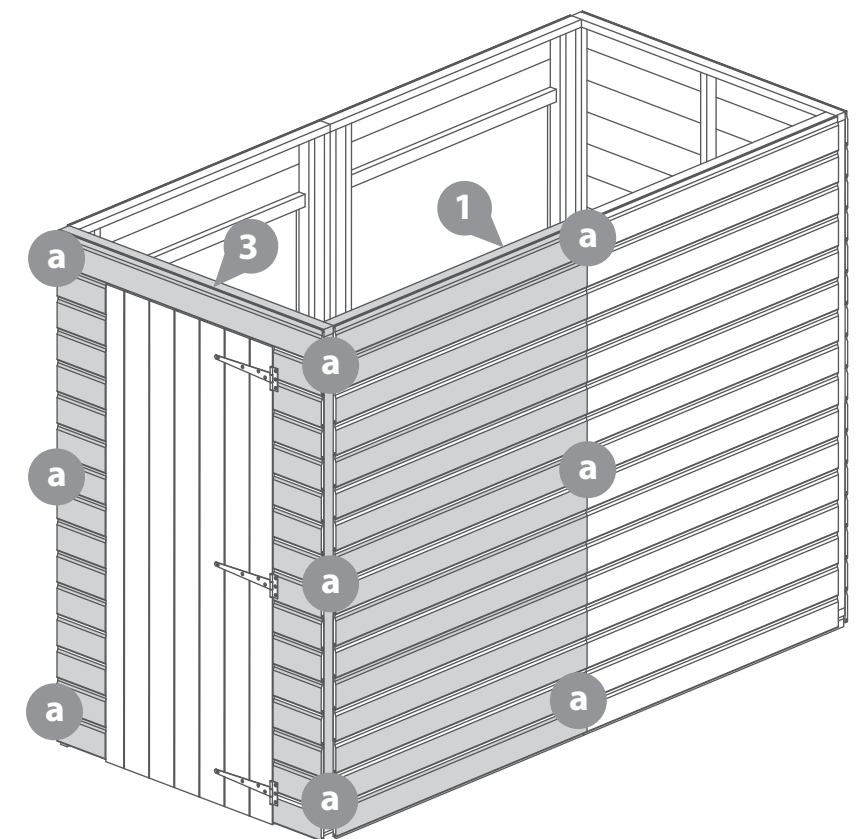
9x50mm screws.



50mm screw



IMPORTANT: Pre-drill before fixing screws.



Step 7
Parts needed - No. 6 QTY 1
No. 7 QTY 1

Place the Gable Top Left (No. 6) and Gable Top Right (No. 7) on top of the end panels (No.1&3), as shown.

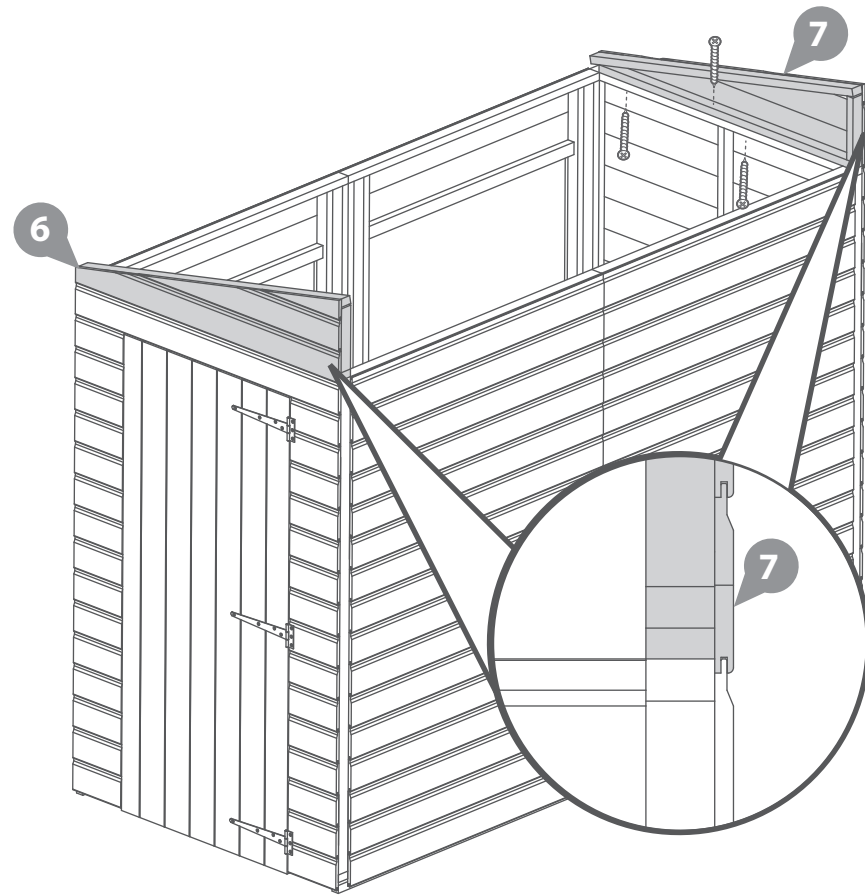
Ensure the cladding on the bottom of the Gables slots into the cladding on the top of the panels below.

Secure into position using 4x50mm screws per Gable top, ensure to stagger screws to avoid collision.

8x50mm screws.



IMPORTANT: Pre-drill before fixing screws.



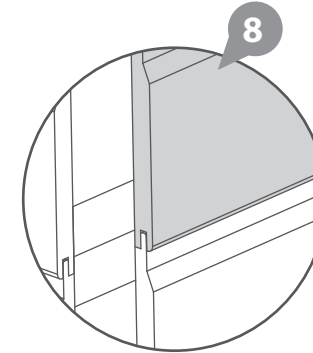
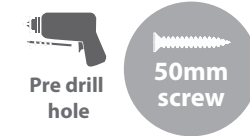
Step 9
Parts needed - No. 8 QTY 2

Place the assembled Panel Top (No.8) on top of the Plain Panels (No.1) on the side of the building as shown.

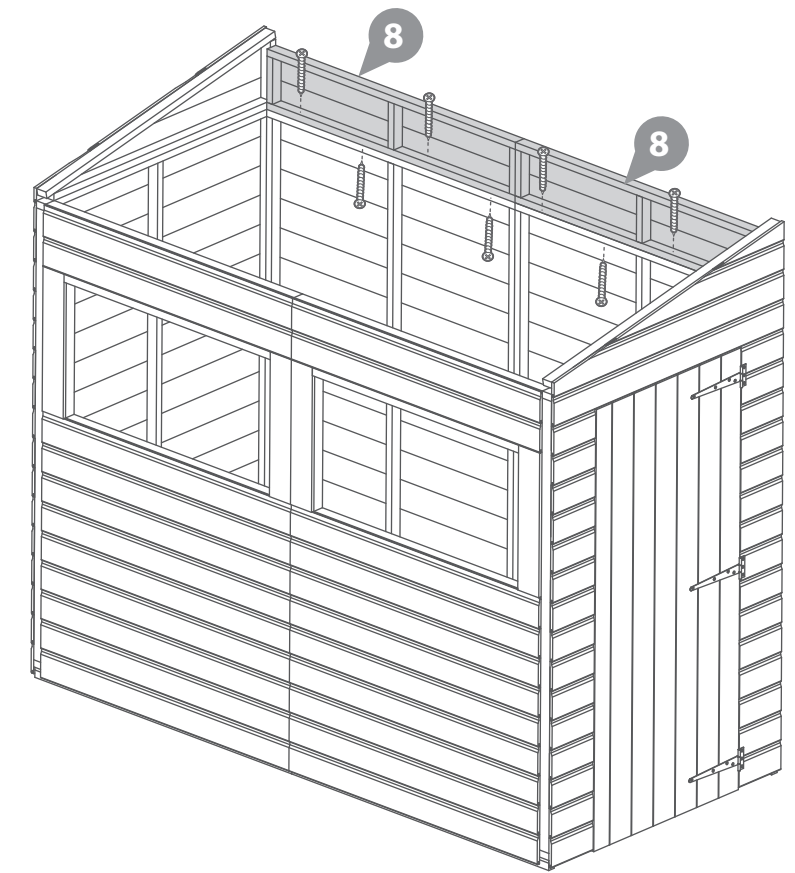
Ensure the cladding on the bottom of the Panel tops slots into the cladding on the top of the panels below.

Secure into position using 4x50mm screws per Panel Top, ensure to stagger screws to avoid collision.

8x50mm screws.



IMPORTANT: Pre-drill before fixing screws.

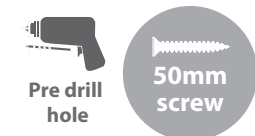


Step 8
Parts needed - No. 8 QTY 2

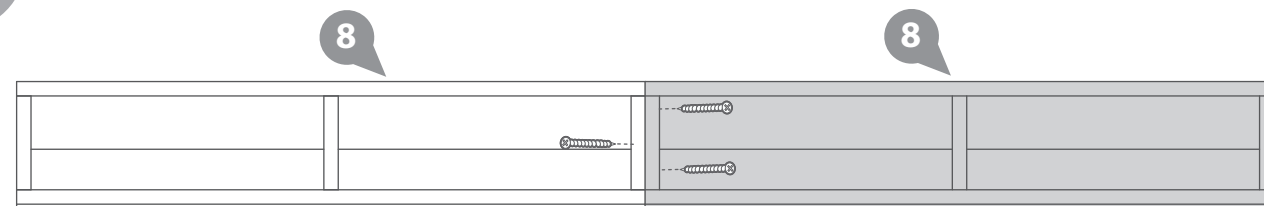
Locate the two Panel Tops (No.8) next to each other as shown, ensuring they are flush and level.

Secure the panels together using 3x50mm screws in an alternating pattern.

3x50mm Screws



IMPORTANT: Pre-drill before fixing screws.

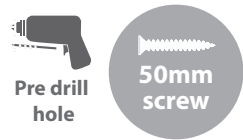


Step 10
Parts needed - No. 5 QTY 2

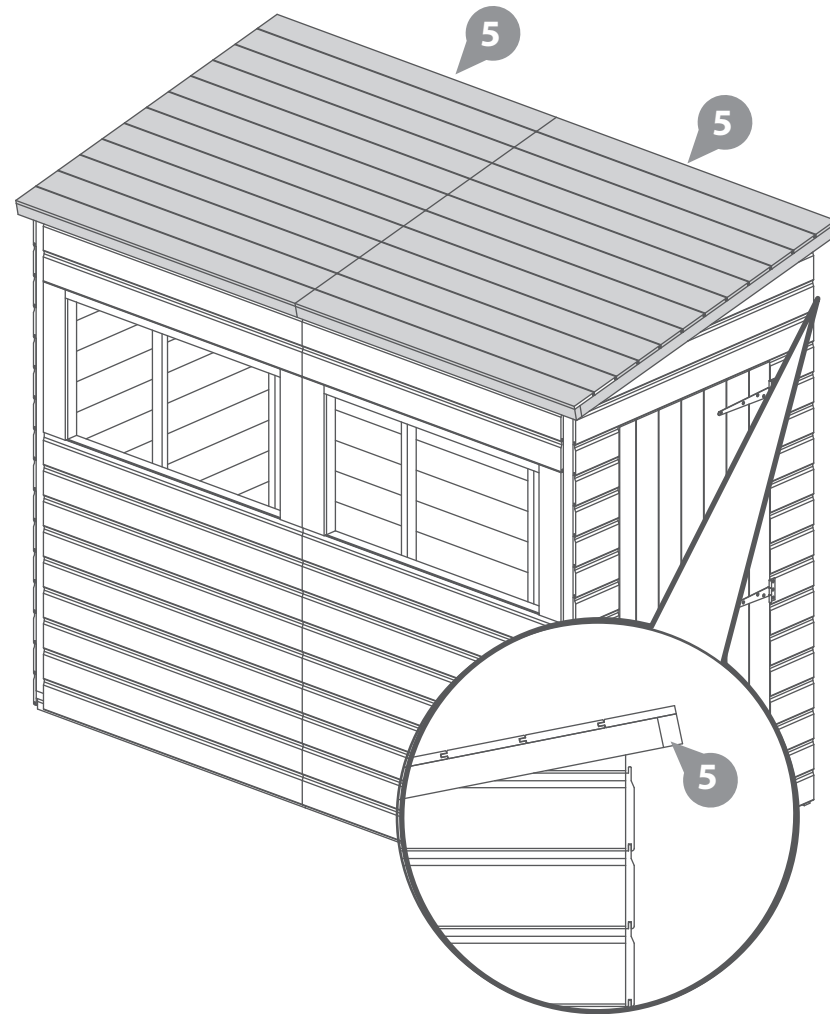
Locate the Roof Panels (No.5) on top of the building, ensuring that the roof overhang is at the top side of the building, as shown.

Internally, secure the Roof Panels together using 6x50mm screws in an alternating pattern

6x50mm Screws



IMPORTANT: Pre-drill before fixing screws.



Step 11

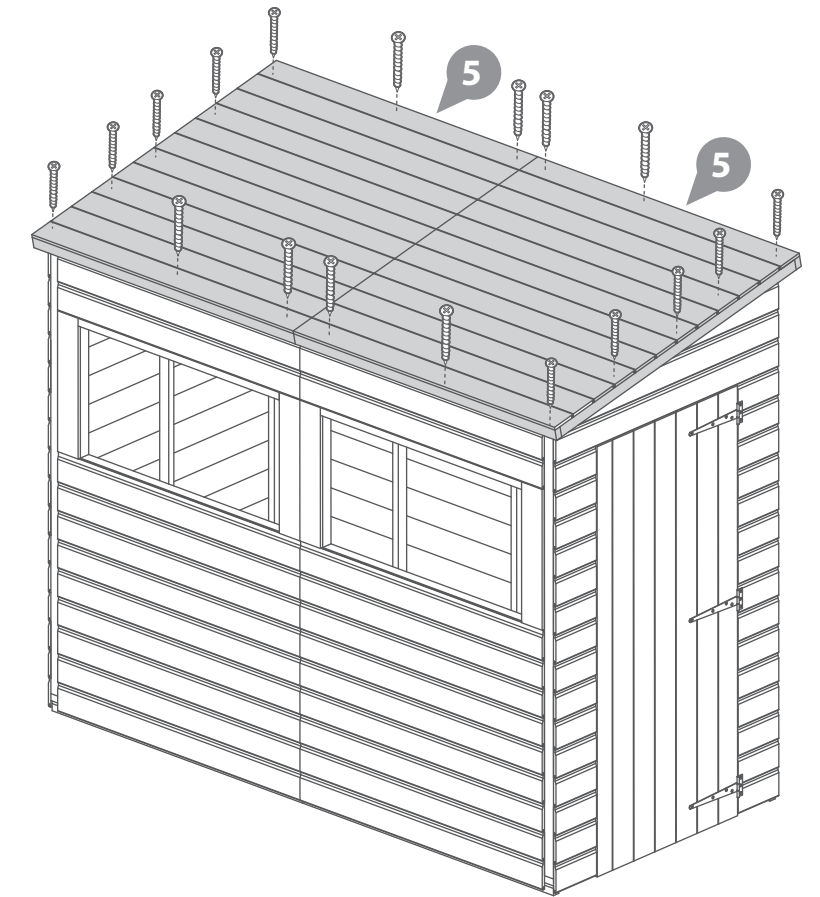
Fix the Roofs (No.5) to the top of the building, ensuring the side edges are flush with the building and the roof is overhanging at the back.

Using 18x70mm screws, fix the Roofs (No.5) around the edge and along the framing, ensuring the screws go through to the panel framing below.

18x70mm Screws



IMPORTANT: Pre-drill before fixing screws.

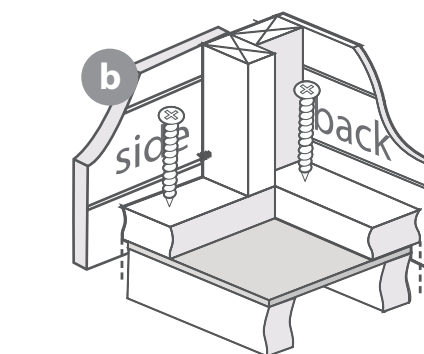
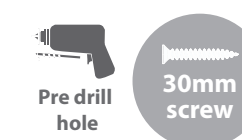


Step 12

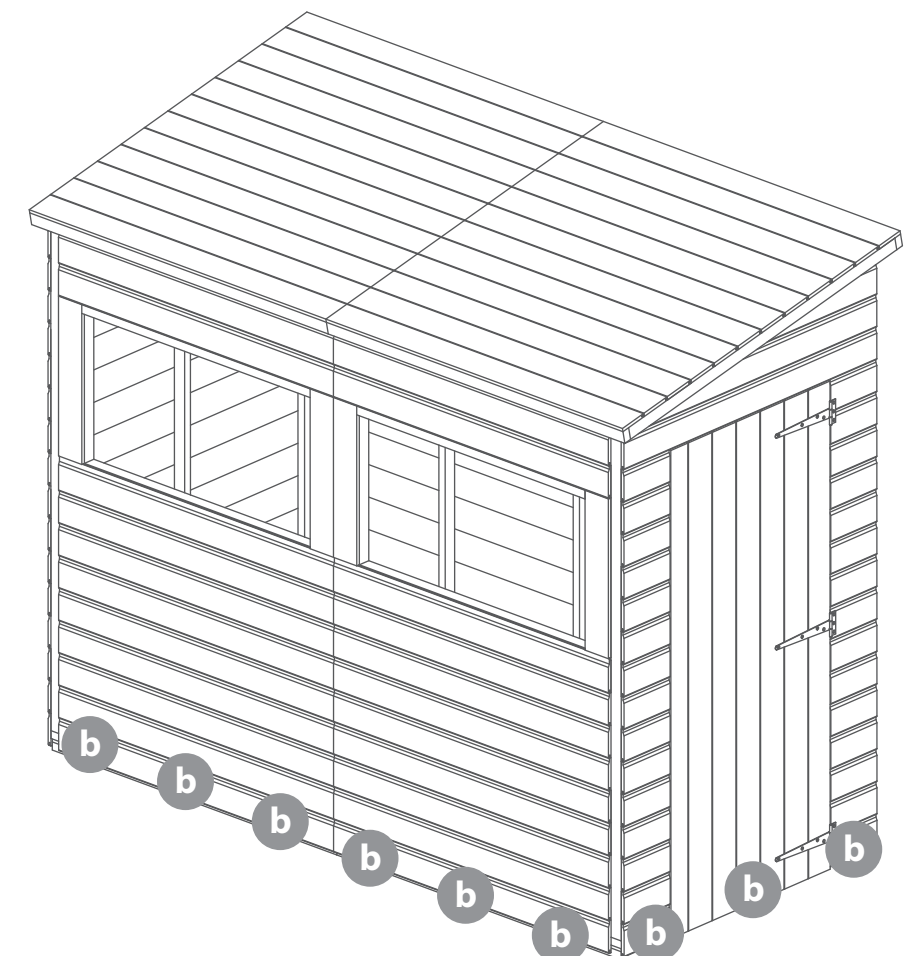
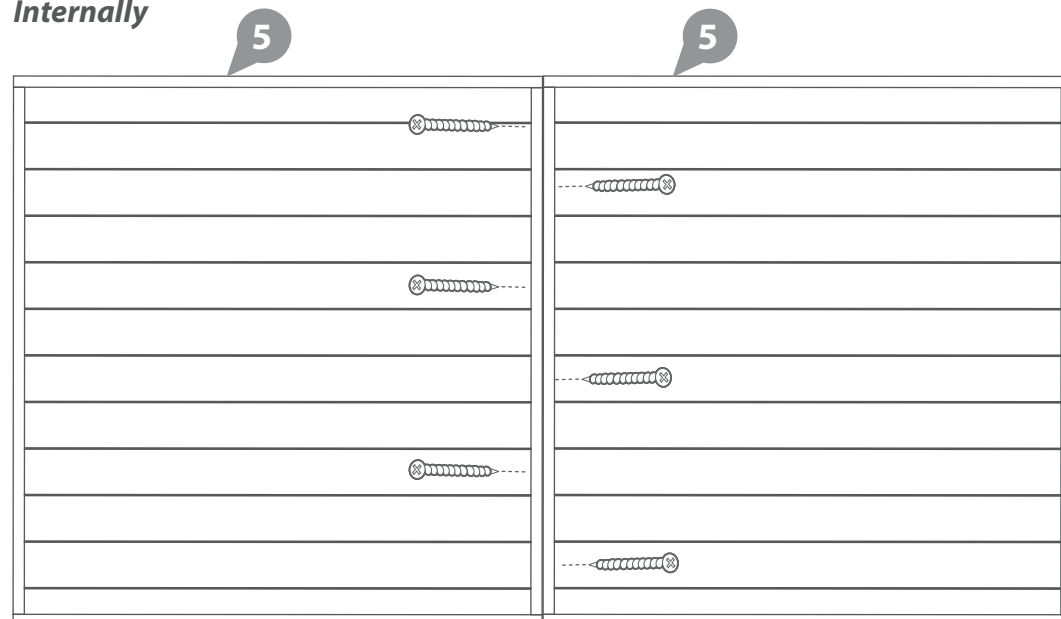
Once the Roof has been secured to the building, fix the building to the floor.

Secure by screwing through the panel framing into the floor bearers below using 3x50mm screws per panel.

18x50mm Screws



Internally

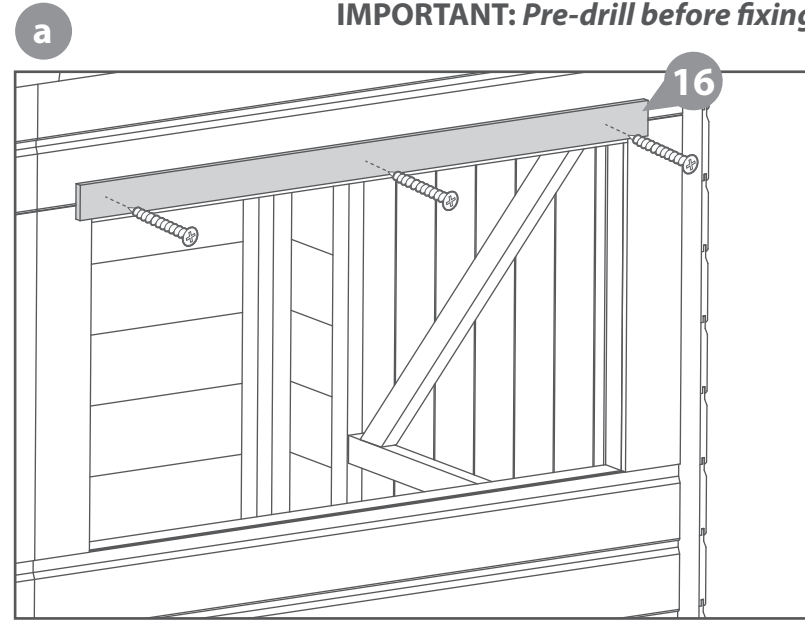


Step 13

Parts needed - No.10 QTY 2
No.16 QTY 2
No.21 QTY 4

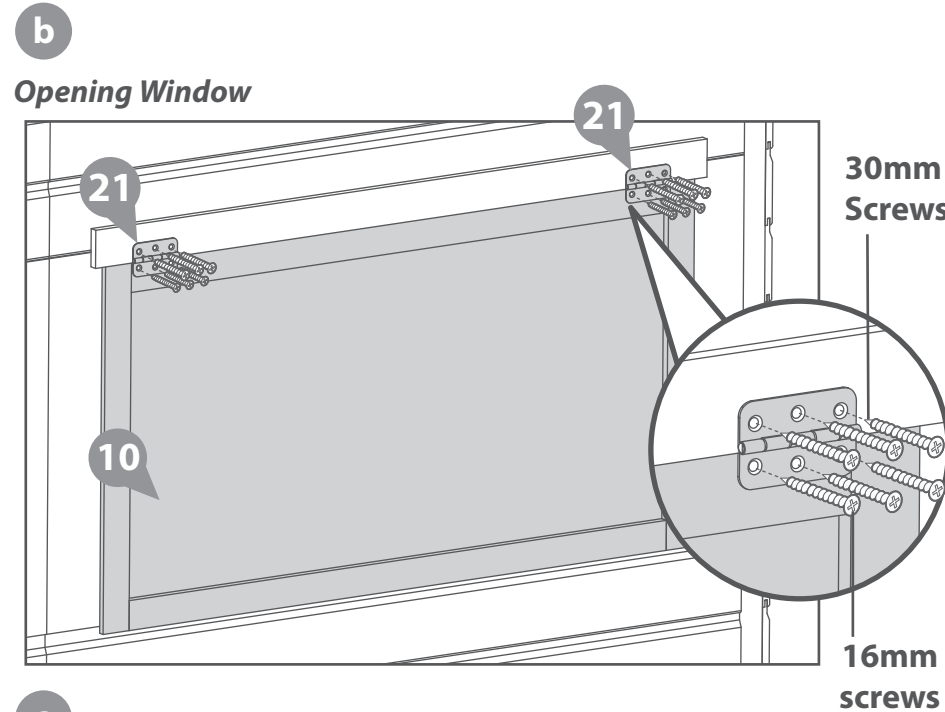
IMPORTANT: Pre-drill before fixing screws.

a Place the Window Strip (No.16) 11mm above the window opening and fix in place with 3x30mm screws per strip.



6x30mm Screws

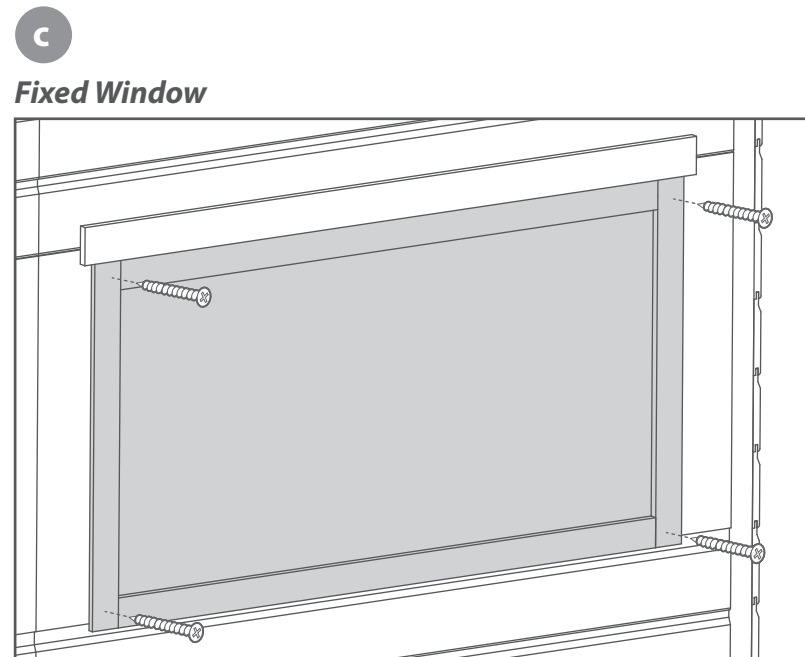
b Opening Window
If you would like the window (No.10) to be opening use the butt hinges (No.21) to attach the window to the Window Strip.



Fix the hinges to the Window Strip using 30mm screws and 16mm to fit the hinges to the window frame.

12x16mm Screws
12x30mm Screws

c Fixed Window
If you would like the window (No.10) to be fixed instead of opening, secure the window to the panel using 4x30mm screws per window.



8x30mm Screws

Repeat chosen process for both windows.



Step 14

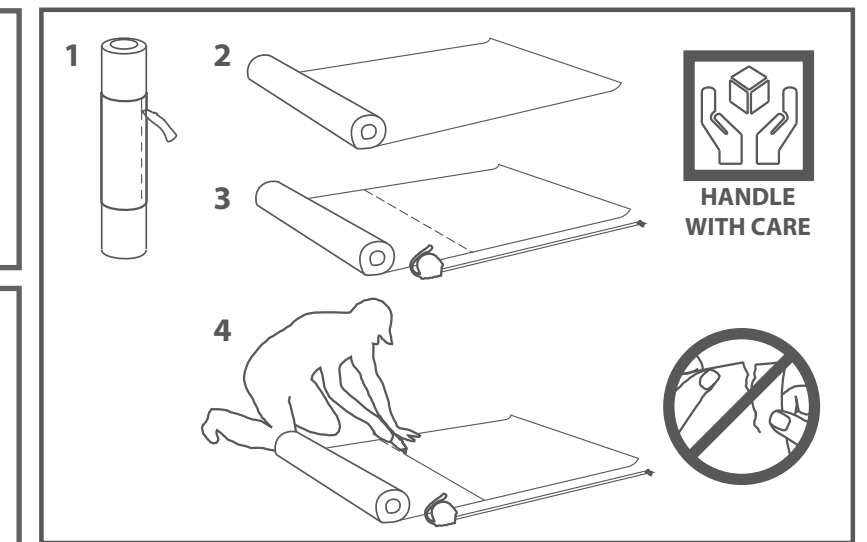
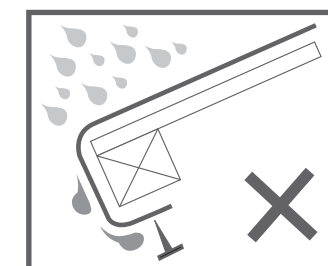
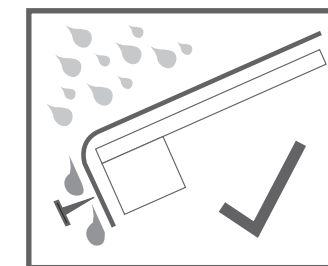
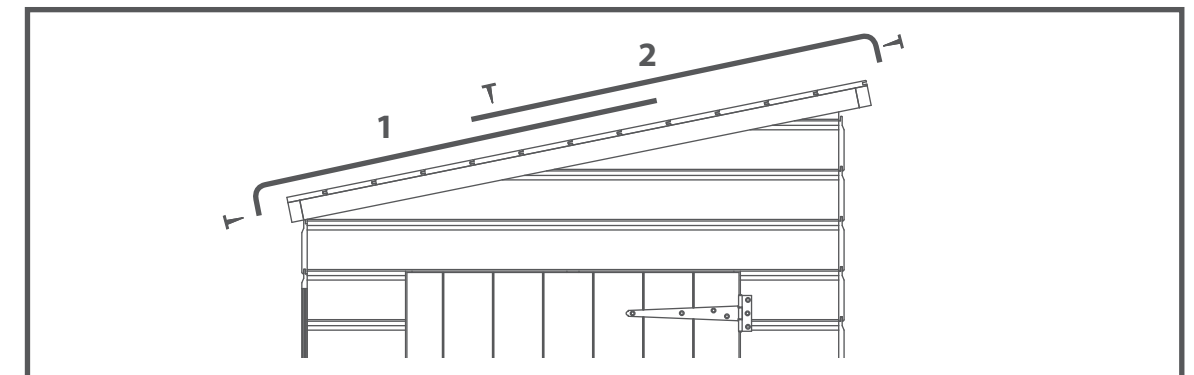
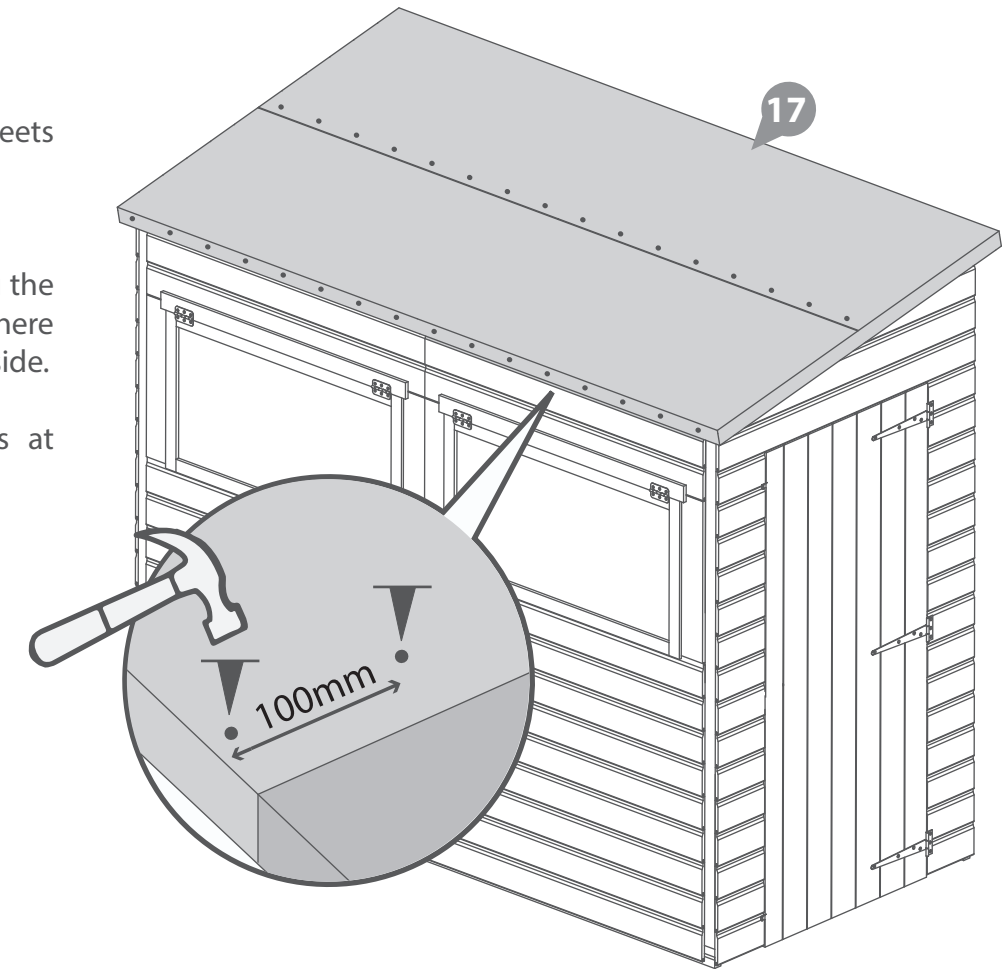
Parts needed - No. 17 QTY 1

Cut the felt (No.17) into two sheets measuring:
2646mm (L) x 1000mm (W).

Place the felt onto the roof, ensuring the two sheets overlap by 100mm and there is at least 50mm overhang on each side.

Fix onto the roof using felt tacks at 100mm intervals.

100 x Felt Tacks



Step 15
Parts needed - No. 22 QTY 2

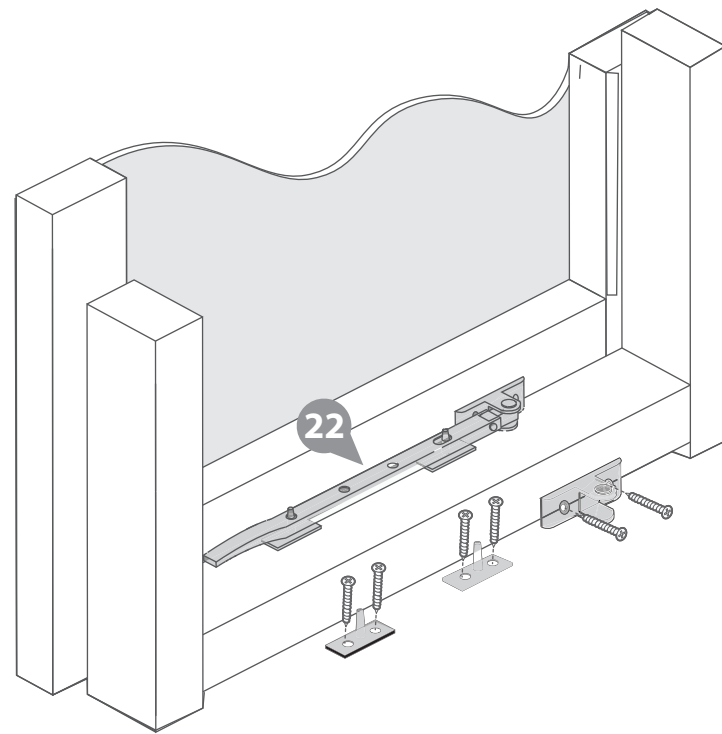
Fix the casement stay (No.22) to the window and then align the fixings to the window panel framing.

Ensure the casement stay fits onto the fixings when closed before securing in place.

6x20mm Screws



IMPORTANT: Pre-drill before fixing screws.



Step 17
Parts needed - No. 12 QTY 3

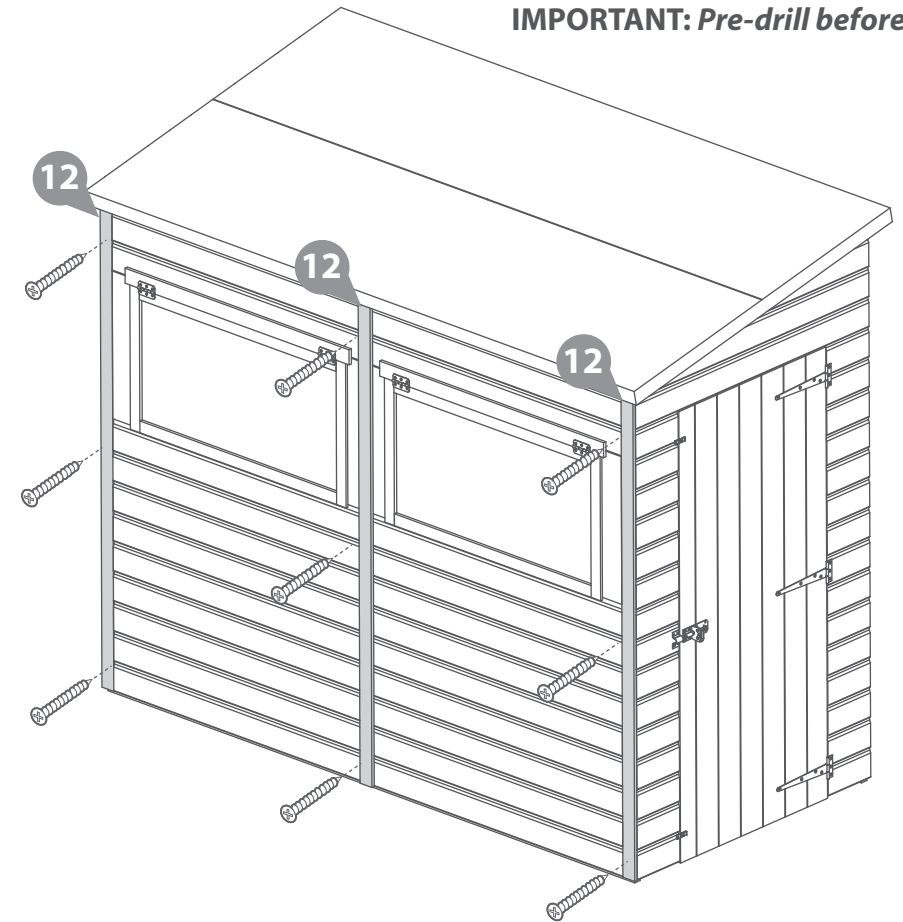
Locate the Small Cover Trims (No.12) over the panel joins on the lower side of the building, as shown.

Secure in place using 3x30mm screws per trim.

9x30mm Screws



IMPORTANT: Pre-drill before fixing screws.



Step 16
Parts needed - No. 18 QTY 1
No. 20 QTY 2

Locate the turn buttons (No.20) to the top and bottom of the door (externally).

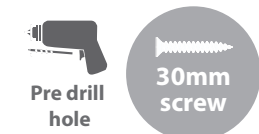
Secure in place using 1x30mm screws per turn button as shown in the illustration.

****It is important to fit turn buttons in order to minimise door warping.**

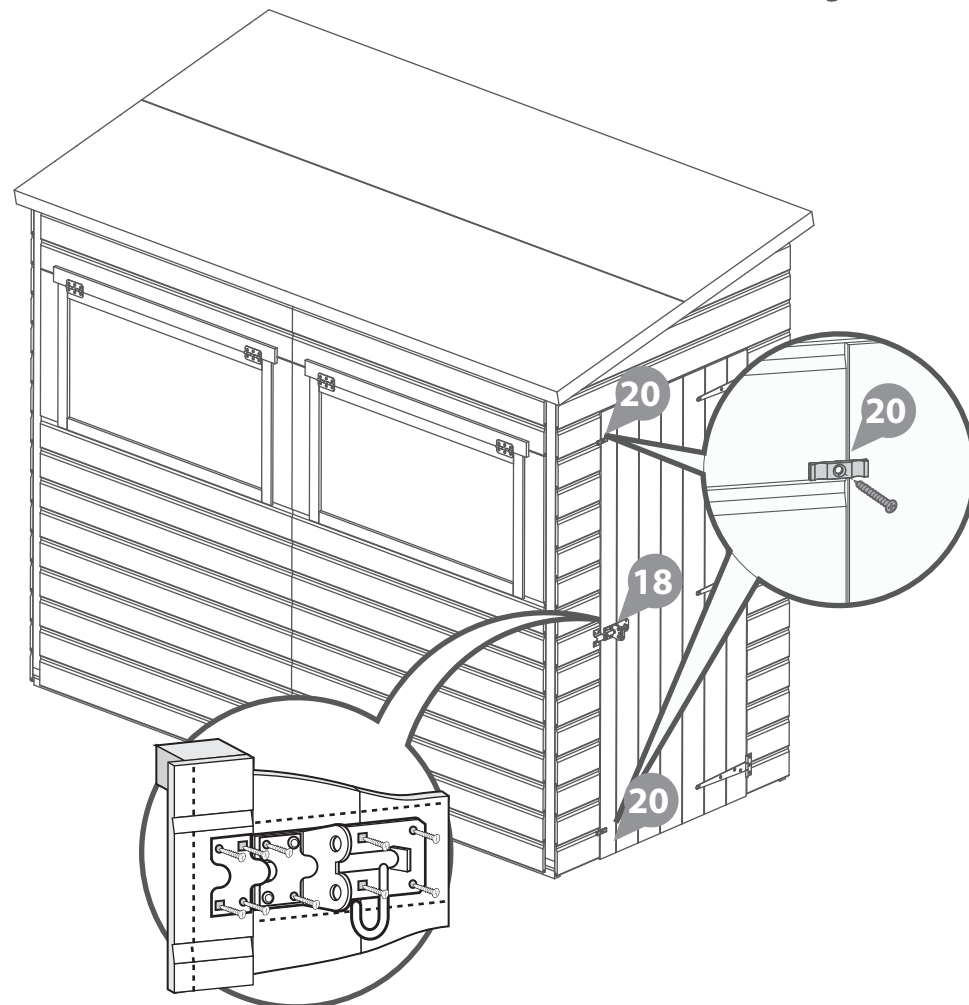
Fix the Pad bolt (No.18) to the central framing of the door using 10x30mm screws.

Ensure the padbolt and screws are in line with the centre door brace.

12x30mm Screws



IMPORTANT: Pre-drill before fixing screws.



Step 18
Parts needed - No. 11 QTY 3

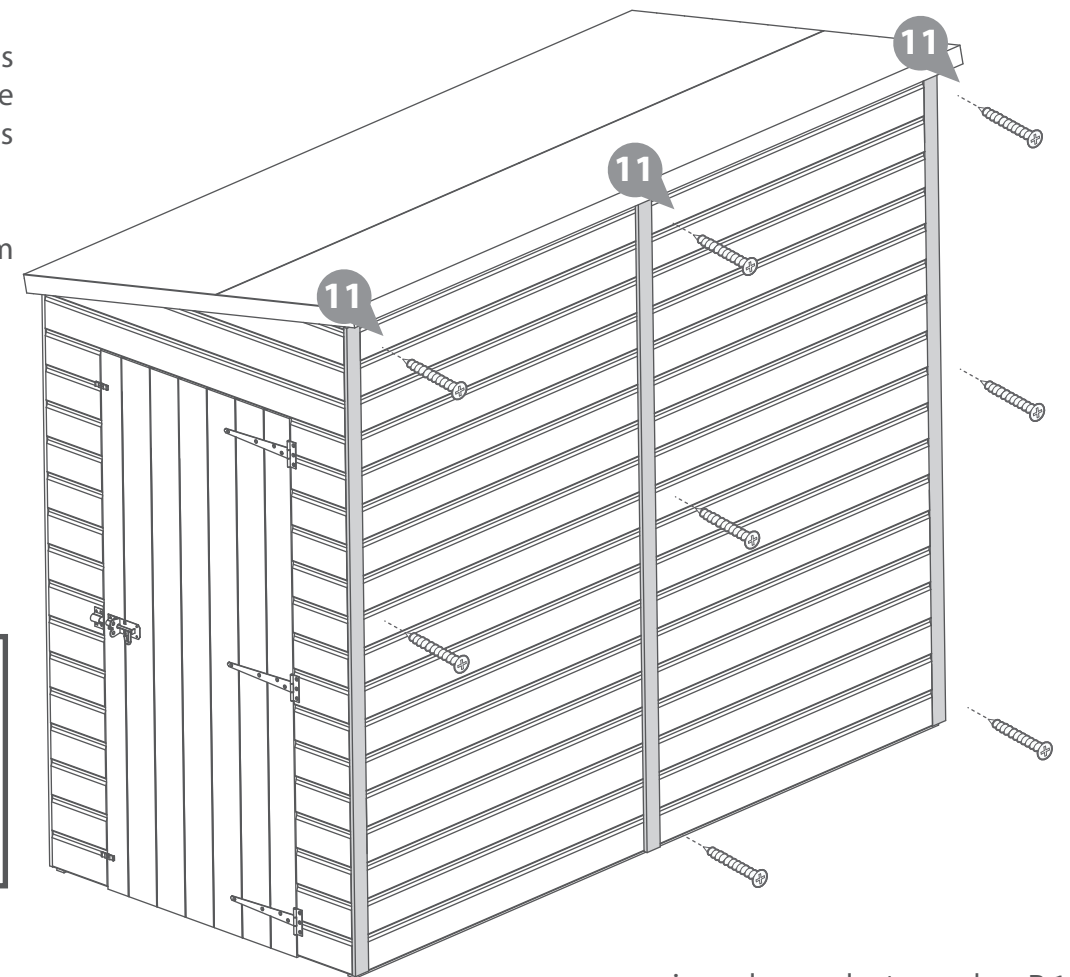
Locate the Large Cover Trims (No.11) over the panel joins on the larger side of the building, as shown.

Secure in place using 3x30mm screws per trim.

9x30mm Screws



IMPORTANT: Pre-drill before fixing screws.



IMPORTANT
Do not fit centre strip if attaching the 8x4 pent greenhouse.

Step 19
Parts needed - No. 13 QTY 2
No. 14 QTY 4

IMPORTANT: Pre-drill before fixing screws.

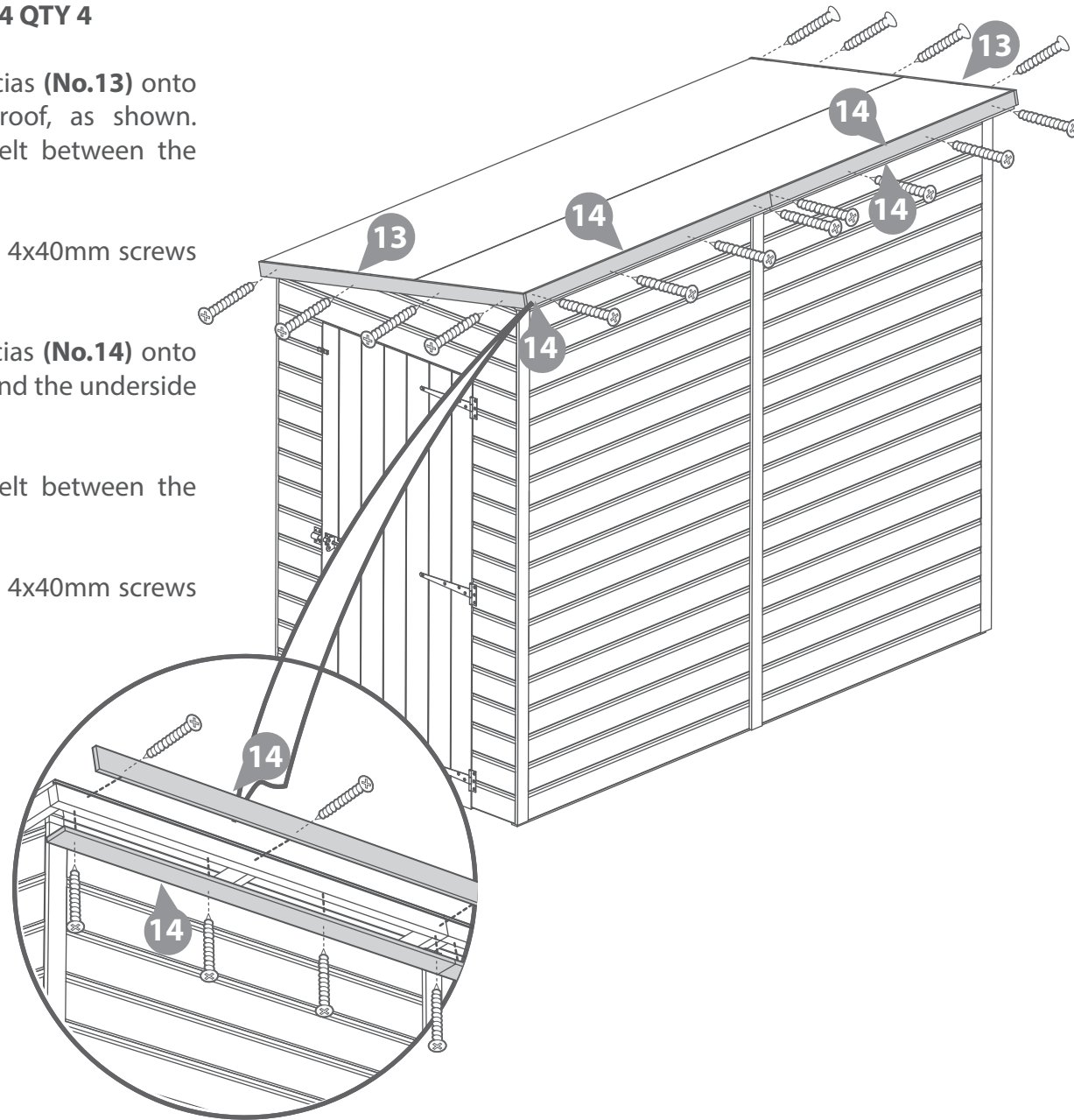
Locate the Large Fascias (**No.13**) onto either side of the roof, as shown. Ensure to trap the felt between the Roof and the Fascias.

Secure in place using 4x40mm screws per fascia.

Locate the Small Fascias (**No.14**) onto the back of the roof and the underside of the roof as shown.

Ensure to trap the felt between the Roof and the Fascias.

Secure in place using 4x40mm screws per fascia.



8x8 Combi GreenHouse and Shed Assembly.

Requires:
04DTPREMPN0804HGS-V1

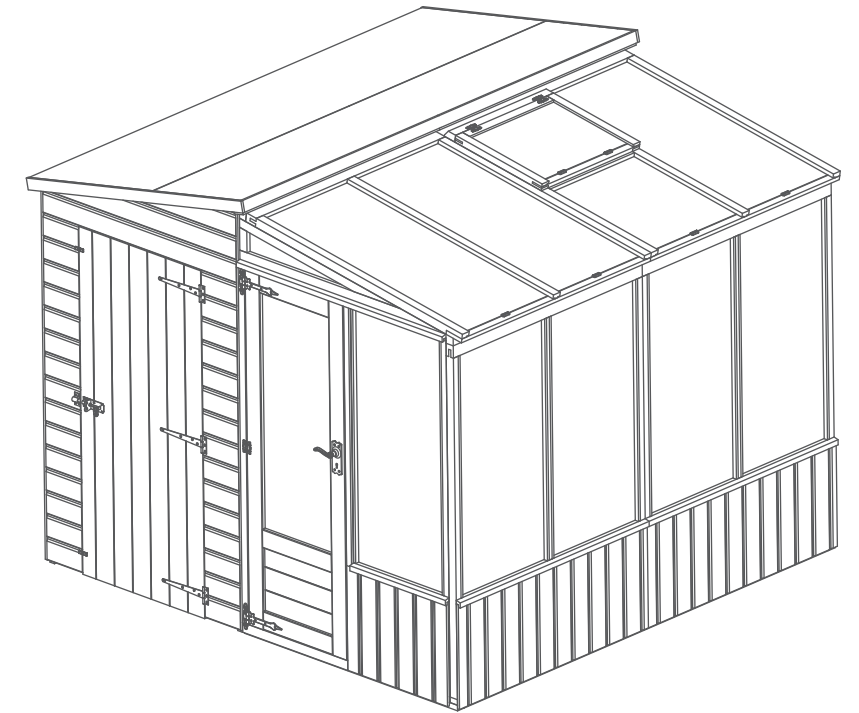
Length - 2550mm
Width - 2368mm
Height - 2132mm

Pre Assembly

Follow the previous steps to assemble the shed unit. Ensure the large centre cover trim (**No.11**) has **not** been fitted (see step 18).

Follow instructions for the **04DTPREMPN0804HGS-V1** to assemble the pent greenhouse unit up against the tall side of the Pent shed.

The buildings should look as shown.

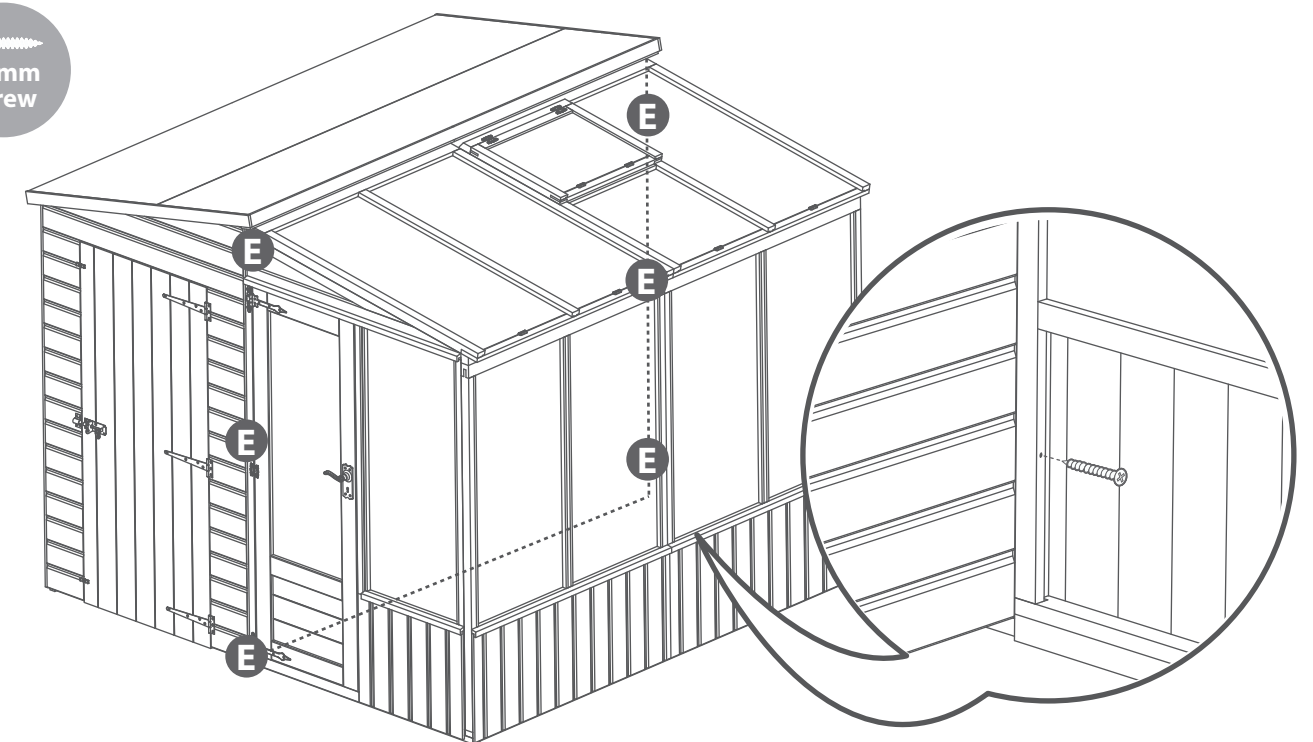


Step 20

IMPORTANT: Pre-drill before fixing screws.

Pre drill holes first then use 70mm screws in the locations marked below to secure the buildings together.

6x70mm Screws



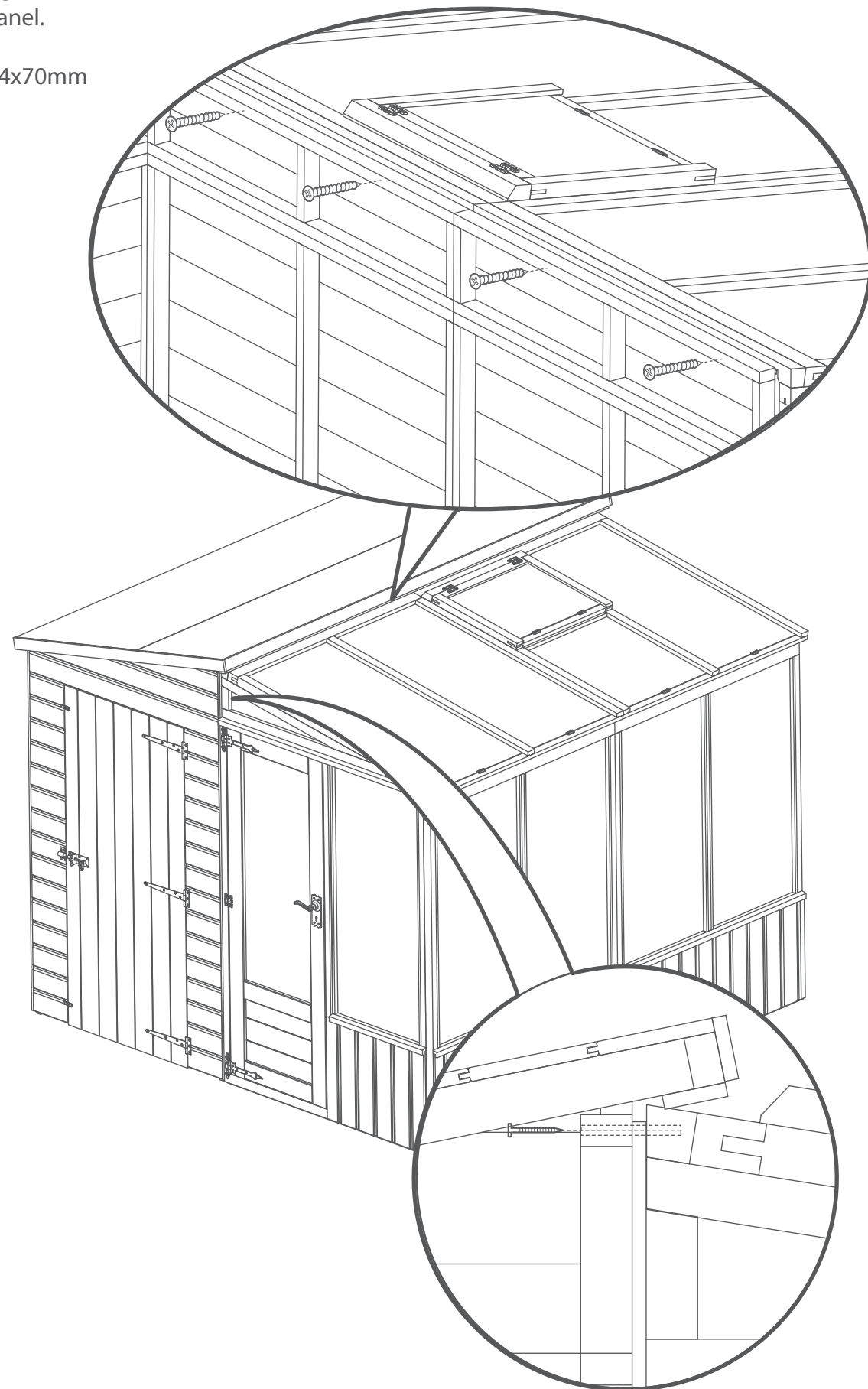
Step 21

IMPORTANT: Pre-drill before fixing screws.

Pre drill holes from the shed Panel Top (No.8) straight into the green house roof panel.

Secure in place using 4x70mm screws, as shown.

4x70mm Screws



Step 22

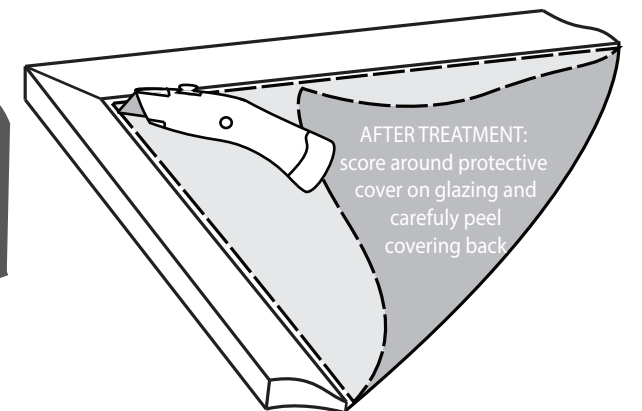
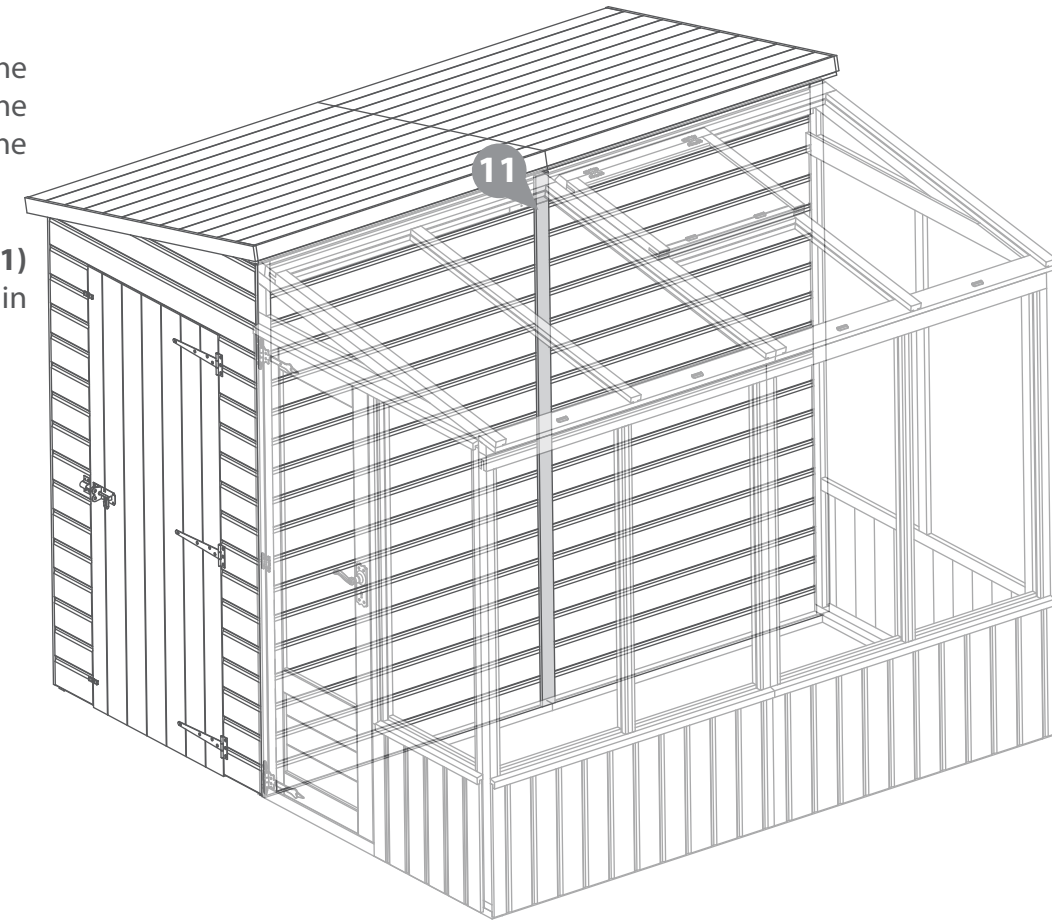
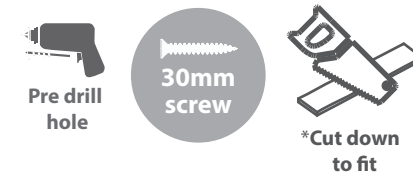
Parts needed - No. 11 QTY 1

IMPORTANT: Pre-drill before fixing screws.

Use a tape measure to measure the height of the joining panels on the back of the shed / inside the greenhouse, as shown.

Cut the remaining Cover Trim (No.11) to the measured size and secure in place using 3x30mm screws.

3x30mm Screws



LEAVE US A REVIEW...

Want to share your experience with us? Leave us a review on Feefo, TrustPilot or Google.

Your reviews help other people find and trust our business, as well as helping to play an important role in our growth and improvement!

TREATING YOUR GARDEN BUILDING

Preservation of wood that's outdoors is vital. A little early care will help protect your garden building, improve its appearance and ensure maximum longevity. Insects, moisture, salt, and changing weather can have dramatic effects on the stability and appearance of your garden building. Once your building is installed, you've checked it over and you're happy with it, you can take a few basic precautions to prepare it for the elements. Treating your garden building helps prevent decay and, by repelling water, discourages the growth of moulds and fungi that could jeopardise the structural integrity of the wood.

Dip Treated buildings - Require a preservative treatment to protect against rot and decay and a waterproof treatment to prevent water ingress
Pressure Treated buildings - Require a waterproof treatment to prevent water ingress
Log Cabins/Insulated Garden Rooms - Are supplied untreated and require a preservative and waterproofing treatment.



ANY QUESTIONS?
Scan the QR code to contact us via our customer portal.

To apply a preservative and water proofing treatment (pressure treated products do not require a preserver), follow the manufacturer's instructions but in principle, stick to the following steps:

- ✓ Wear latex or rubber gloves, eye protection and (if spraying) a mask.
- ✓ Prepare the wood, by sanding down any ridges or inconsistencies in the wood, smoothing out knots and end-cuts.
- ✓ Choose a dry day to treat your garden building. If you're spraying rather than brushing paint on, avoid a windy day.
- ✓ Be sure you can safely reach all the sections you need to paint - and if you need a ladder, make sure it's safely positioned before climbing. Lay dust sheets around to avoid paint splatters on your base or surrounding plants.
- ✓ Tape around windowpanes to avoid smears when you're painting the frames.
- ✓ Keep pets and small children out of the way. The last thing you want is to have fur on your garden building paint, or little painted footprints all over your garden and home.
- ✓ Fill any gaps in the building's body with caulk or wood filler to prevent water and draughts getting in. Silicone based caulk is flexible and will move with the timber when temperature and humidity change. Allow to dry completely before treating. A handy tip for finding gaps is to go into your garden building and look for light leaking through joins and frames. If light gets in, then so will water.
- ✓ Liberally apply at least two coats of the treatment products with a brush or spray, taking care to allow the first coat to completely dry before applying the second.
- ✓ Make sure the solution permeates the whole of the surface area, especially around natural cracks, end cuts and nail/screw holes.



APPLY WOOD TREATMENT
IMMEDIATELY
AFTER ASSEMBLY

PLEASE SCAN HERE TO
SEE TREATMENT VIDEO:



1 Perimeter

Check around the perimeter of your product to ensure there are not trees or plants that are in contact with or overhanging the building. This can affect airflow and overhanging trees, or branches can damage the roof, it is advised to keep plants at a distance.

2 Repair

Inspect the interior and exterior of the product to look for splits, cracks, and holes. Although this is a natural occurrence it can be prevented. A wood filler can be used to close the splits, cracks, and holes.

3 Roof

Check your roof regularly for tears, splits, damaged wood and fallen debris. If you notice any of this immediate repair is critical.

4 Doors & Windows

Expansion and contraction can cause doors and windows to stick or become difficult to open. Small adjustments to the hinge position can be made to the doors and windows to allow free movement.

5 Oil

Hinges can seize up over time, apply lubricant to the hinges and locks annually.

6 Screws & Bolts

It is advised to check all screws and bolts and tighten any loose you might find. For log cabins specifically the storm braces will require loosening. During humidity and temperature changes (seasons) to allow expansion and contraction to prevent gapping, twisting, popping, and warping.

7 Wash

At least once a year, give the outside of your building a good wash, to remove cobwebs, leaves, or any other dirt that may accumulate on the exterior.

8 Airing

Airing your product regularly prevents the build up of condensation which can cause the timber to rot and mould. Condensation can build up over time or daily, it is caused by a rise and fall in temperature. Leaving doors and windows open regularly can help combat the natural moisture build up.

9 Clean & Tidy

It is good practice to clean the inside and outside of your product regularly. Clear out the contents, sweep the floor, remove dirt and cobwebs. Check for areas of damp and investigate the cause to remove and prevent future occurrences. Check the ground around your product for build up of debris such as leaves, remove and ensure there is clear ventilation underneath the floor.

Additional Playhouse Maintenance:

It is recommended that the following checks and maintenance are carried out at the beginning of each season as well as at regular intervals during the usage season.

- Check all nuts /bolts/ screws for tightness and tighten when required.
- Check for movement / opening of wood giving rise to protrusion of nail heads and tips.
- Check hinges.
- Replace defective parts in accordance with the manufacturers instructions.
- Check any crossbeams, suspensions and anchors.
- If a swing is included; check the swing seat, chains and ropes.

IF THESE CHECKS ARE NOT CARRIED OUT THE ACTIVITY TOY COULD BECOME A HAZARD

All our garden buildings have been designed and manufactured with care and attention to be the perfect addition to your outdoor space. To ensure you do get the best out of your new garden building and to increase the longevity we advise that you follow the product instructions and our manufacturer's recommendations as detailed below. Thank you for choosing a Mercia Garden product!

1 Choosing the most suitable location for your garden building...

A minimum of 60cm should be left around the perimeter of your garden building to allow access for maintenance, annual treatment and to allow air flow around the building.

Where possible you should avoid placing your garden building underneath large trees to prevent the tree causing damage to the building.

2 Preparing the base for your garden building...

All our buildings must be built on a firm, level base to ensure the longevity of the building and prevent the wood from distorting. We recommend either concrete, concrete slabs or a wooden base, such as our 'Portabase'.

The base should be slightly smaller than the external measurement of the building, i.e. the cladding should overlap the base, creating a run off for water and preventing water from pooling underneath the building.

We also recommend that the floor of the garden building is a minimum of 25mm above the surrounding ground level to avoid flooding.

3 After installation...

Once your garden building has been installed, it will need to be treated within 14 days (weather permitting) and annually to prevent the timber from deteriorating and to waterproof it. This is required to maintain the anti-rot guarantee.

Dip Treated buildings - Require a preservative treatment to protect against rot and decay and a waterproof treatment to prevent water ingress.

Pressure Treated buildings - Require a waterproof treatment to prevent water ingress.

Log Cabins/Insulated Garden Rooms - Are supplied untreated and require a preservative and waterproofing treatment.

We also recommend using a silicon sealant on the inside and outside of the windows as soon as possible after assembly and treatment to fully seal the windows.

Roofing felt/covering should be checked annually and replaced or fixed accordingly.

4 General maintenance and wood characteristics

As wood is a natural material it may be affected by the following:

Shrinkage and warping - The timber used in the construction of your garden building will have retained some of its natural moisture content. The moisture content of the timber will vary, depending upon prevailing environmental conditions, which will result in the components either naturally expanding or contracting. As the components dry out, shrinkage may occur. A good waterproofing treatment from the start is the best protection to minimise the effect of moisture loss/intake.

In extended periods of very warm weather getting some moisture to the building will help the overall balance. You can do this by spraying it down lightly with a garden hose. In contrast, after snow fall try to remove the snow as best as possible from the roof to prevent moisture intake and to remove the extra weight.

Top tip - using a garden brush will help you to reach the highest part of the building to remove snow and any debris left from bad weather.

Damp and mould - During the winter months, cold and damp conditions can result in an increased amount of moisture within your garden building, especially when used infrequently. Condensation can form on the timber and other items stored within your garden building. If left this moisture is likely to cause mould and mildew.

To prevent the build-up of moisture, we recommend leaving the door or windows of your building open from time to time, to allow the fresh air to circulate. We also advise against storing wet or damp items in your garden building as this will also increase the level of moisture in the building. If mould or mildew does start to form within your building we recommend using an anti-mould cleaner to remove it and to prevent it spreading, which if left untreated could permanently damage your garden building.

Splits, cracks and knots - You may notice small splits and cracks in some components or holes may appear where knots shrink and fall out. This will not affect the structure of your Garden building however, if you wish to fill them this can be easily done using any good quality wood filler.

Sap - is naturally occurring in wood and may appear in some boards of your garden building. If you wish to remove the sap, we advise waiting until it is dry and then using a sharp knife to carefully remove it. If the removal of the sap causes a hole in the timber, we recommend using a good quality wood filler to fill it.

For more handy hints and tips on how to care and maintain your garden building please refer to the MGP Customer Portal at www.mgplogistics.co.uk

Any further questions?

Contact our
Customer Service Team via the MGP
Customer Portal at:
www.mgplogistics.co.uk

1

Manufacturer's Warranty

All Mercia Garden Products are supplied with a 1 year warranty on all parts against manufacturing defects.

This warranty does not cover movement, warping or splitting of timber products over time.

This warranty will be voided if any of the following occur:

1. The building has been customised or modified/adapted in any way.
2. The person claiming is not the original purchaser of the building.
3. Any damage has been caused by or as a result of misuse.
4. The building has not been maintained and cared for in accordance to our advisories and manufacturer's recommendations.
5. The building has not been treated annually or as per the manufacturer's recommendations, please ensure receipts are kept to validate this claim.
6. The building has not been erected, fitted or installed as per the supplier instructions.
7. The building has not been erected on a suitable sized firm flat, solid level concrete/slab base or placed on pressure treated bearers.
8. The building is or has been placed with 2 feet (600mm) of any obstructions (walls, trees, plants, fences etc.) which can allow moisture to penetrate the timber.
9. The roofing felt has been incorrectly fitted or damaged, allowing water ingress, or has not been properly maintained.
10. Any windows and joints have not been sealed, inside and out, with silicone or other watertight sealant.
11. Any timber has been cut, pierced or drilled without subsequent application of approved cut-end treatment.

2

Anti-rot Guarantee


Mercia Garden Products offer a 10 year anti-rot guarantee on all dip treated (a preparatory treatment) and 15 years on all pressure treated products. This guarantee covers solid timber against rot, decay, blue stain and insect attacks.

To validate the guarantee, the building must be treated (as detailed within manufacturer's recommendations) within 14 days (weather permitting) of assembly and annually thereafter.

This guarantee does not cover movement, warping or splitting of timber products over time.

This guarantee will be voided if any of the following occur:

1. The building has been customised or modified/adapted in any way.
2. The person claiming is not the original purchaser of the building.
3. Any damage is caused by or as a result of misuse.
4. The building has not been maintained and cared for in accordance to our advisories and manufacturer's recommendations.
5. The building has not been treated annually or as per the manufacturer's recommendations, please ensure receipts are kept to validate this claim.
6. The building has not been erected, fitted or installed as per the supplier instructions.
7. The building has not been erected on a suitable sized firm flat, solid level concrete/slab base or placed on pressure treated bearers.
8. The building is or has been placed with 600mm of any obstructions (walls, trees, plants, fences etc.) which can allow moisture to penetrate the timber.
9. The roofing felt has been incorrectly fitted or damaged allowing water ingress, or has not been properly maintained.
10. Any windows and joints have not been sealed, inside and out, with silicone or other watertight sealant.
11. Any timber has been cut, pierced or drilled without subsequent application of approved cut-end treatment.



REGISTER FOR YOUR
**ANTI-ROT
GUARANTEE TODAY**

PLEASE SCAN HERE:

