

04DTSTRDAX0806HGS-V1

DIP TREATED STANDARD APEX GREENHOUSE, 8X6.

BEFORE YOU START PLEASE READ INSTRUCTIONS CAREFULLY

- Check the pack and make sure you have all the items listed in the parts list provided.
- When you are ready to start, make sure you have the right tools at hand (not supplied - see the equipment list on next page).
- Ensure there is plenty of space and a clean dry area for assembly.
- Ensure you have enough time to build the product to ensure the building is water tight.

LOCATION FOR YOUR GARDEN BUILDING

A minimum of 600mm should be left around the perimeter of your garden building to allow access for maintenance, annual treatment and to allow air flow around the building.

Where possible you should avoid placing your garden building underneath large trees to prevent the tree causing damage to the building.

TIMBER

As with all natural materials, timber can be affected during various weather conditions. For the duration of heavy or extended periods of rain, swelling of the wood panels may occur. Warping of the wood may also occur during excessive dry spells due to an interior moisture loss. Unfortunately, these processes cannot be avoided but can be helped. It is suggested that the outdoor building is sprayed with water during extended periods of warm sunshine and sheltered as much as possible during rain or snow.

Once your garden building has been installed it will need to be treated within 14 days (weather permitting) and annually to prevent the timber from deteriorating and to waterproof it. This is required to maintain the anti-rot guarantee.

Dip Treated buildings - Require a preservative treatment to protect against rot and decay and a waterproof treatment to prevent water ingress

Pressure Treated buildings - Require a waterproof treatment to prevent water ingress

Log Cabins/Insulated Garden Rooms - Are supplied untreated and require a preservative and waterproofing treatment.

BUILDING A BASE

When thinking about where the building and where the base is going to be constructed: Ensure that there will be access to all sides for maintenance work and annual treatment.

Ensure the base is level and is built on firm ground, to prevent distortion. Refer to diagrams for the base dimensions, The base should be slightly smaller than the external measurement of the building, i.e. The cladding should overlap the base, creating a run off for water. It is also recommended that the floor be at least 25mm above the surrounding ground level to avoid flooding.

TYPES OF BASE

- Concrete 75mm laid on top of 75mm hard-core.
- Slabs laid on 50mm of sharp sand.
- Wooden base.

Whilst all products manufactured are made to the highest standards of safety and in the case of children's products independently tested to EN71 level, we cannot accept responsibility for your safety whilst erecting or using this product.



x2

All buildings should be erected by two adults



Winter = High Moisture = Expansion
Summer = Low Moisture = Contraction



2mm Drill bit

For ease of assembly, you **MUST** pilot drill all screw holes and ensure all screw heads are countersunk.



CAUTION

Every effort has been made during the manufacturing process to eliminate the prospect of splinters on rough surfaces of the timber. You are strongly advised to wear gloves when working with or handling rough sawn timber.



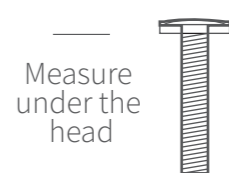
For ease of assembly, you will need a tape measure to check dimensions of components.

Screws & Nails



Measure overall length

Bolts



Measure under the head

To identify the fixings required for each step use a measuring tape.

Protim Aquatan T5 (621)

Your building has been dip treated with Aquatan.

Aquatan is a water-based concentrate which is diluted with water, the building as been treated by the correct application of Aquatan solution and then allowed to dry.

Aquatan is a decorative finish to colour the wood, which is applied industrially to timber fence panels and garden buildings.

Aquatan undiluted contains: boric acid, sodium hydroxide 32% solution, aqueous mixture of sodium dioctyl sulphosuccinat and alcohols: 2, 4, 6-trichlorophenol.



REGISTER FOR YOUR
ANTI-ROT
GUARANTEE TODAY

PLEASE SCAN HERE:



In all instances for assistance with your product, please contact customer care on :
01636 821215 or customerservice@merciagp.co.uk

Mercia Garden Products Limited,
Sutton On Trent,
Newark,
Nottinghamshire,
NG23 6QN

TO DO LIST

- Find a suitable location to build *(see front cover for further information).*
- Build a base *(see front cover for further information).*
- Check the base is flat, level, clear of debris and has 60cm clearance on all sides.
- Check you have the required equipment.
- Check you have all the product items listed *(if you have missing or damaged parts please contact the customer services department, see front cover for contact details).*
- Install the product as per the step by step instructions within this pack.
- Prepare the product ready for treatment.
- Apply a preserving and a waterproofing treatment within 14 days *(weather permitting)* of installation *(pressure treated products do not require a preserver).*
- Register for your anti rot guarantee *(scan the QR below).*
- Tidy the build area and dispose of any remaining parts responsibly.
- Maintain your building *(see the manufacturers recommendations at the back of this pack).*

EQUIPMENT LIST

- Hammer
- Flat Head Screwdriver
- Drill
- Drill Bit Set
- Phillips and Slotted Bit Sets
- Tape Measure
- Hand Saw
- Spirit Level
- Ladders/Steps
- Stanley Knife/Cutting Tool
- Sand Paper
- Gloves
- Silicone (For Windows Only)
- Wood Filler (Optional)
- Timber Preservative Treatment *(not pressure treated products)*
- Timber Water Proofing Treatment
- Treatment Mixing Stick
- Paint Brush/Sprayer/Roller

NEED EXTRA SUPPORT

If you are unsure that your base preparation will be suitable, please contact us on 01636 821215 to discuss this further.

Alternatively, you can visit our website or MGP Logistics Online Portal for some further shededucation.

Website:

<https://www.merciagardenproducts.co.uk/sheducation>

MGP Logistics Online Portal:

<https://www.mgplogistics.co.uk/>

Here you will find plenty of useful information that'll help with most pre-installation and maintenance queries.

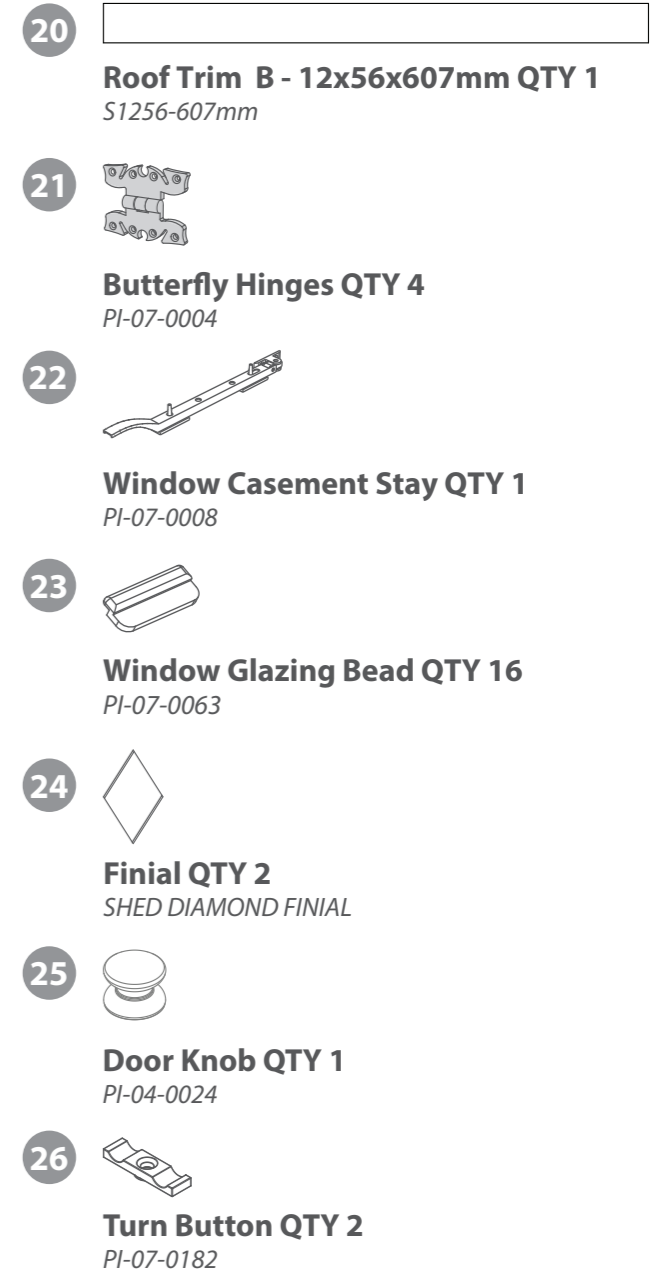
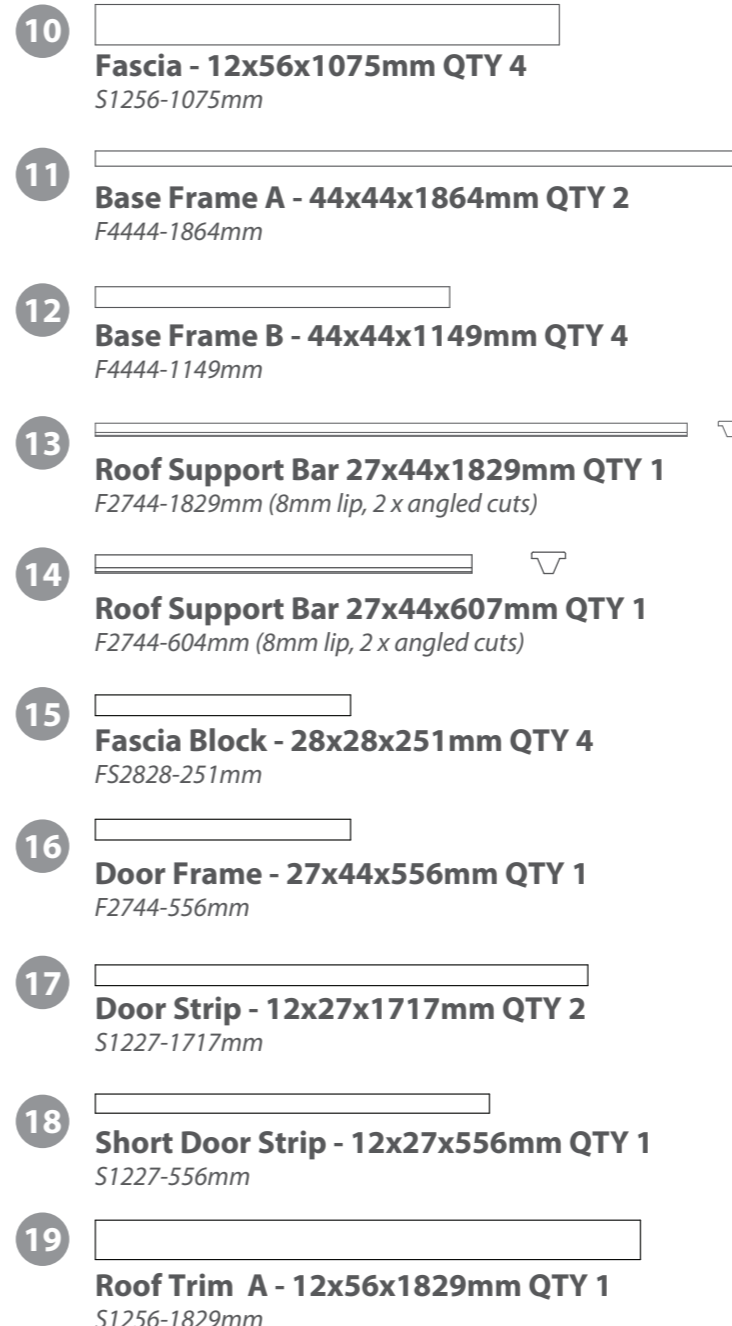
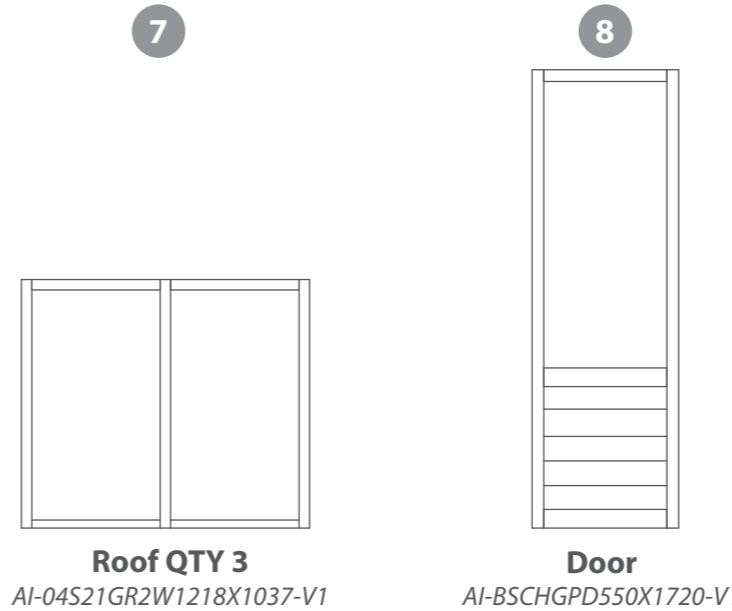
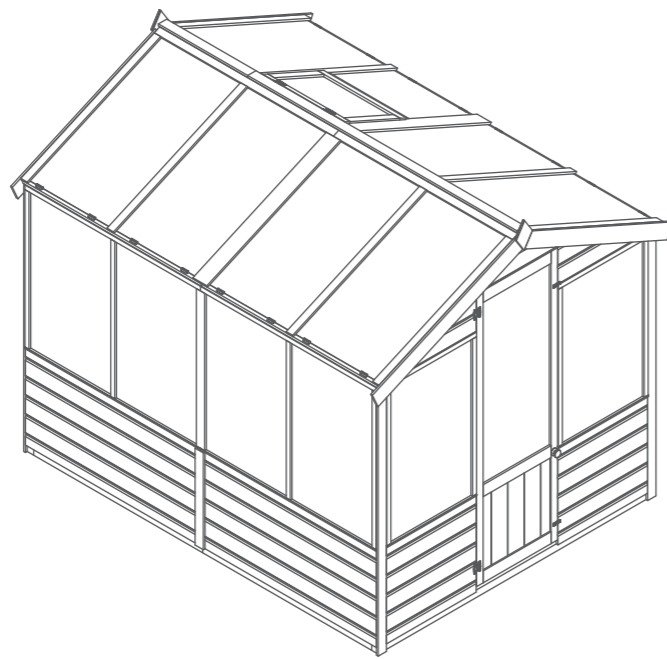


ANY QUESTIONS?
CONTACT US ON
01636 821215

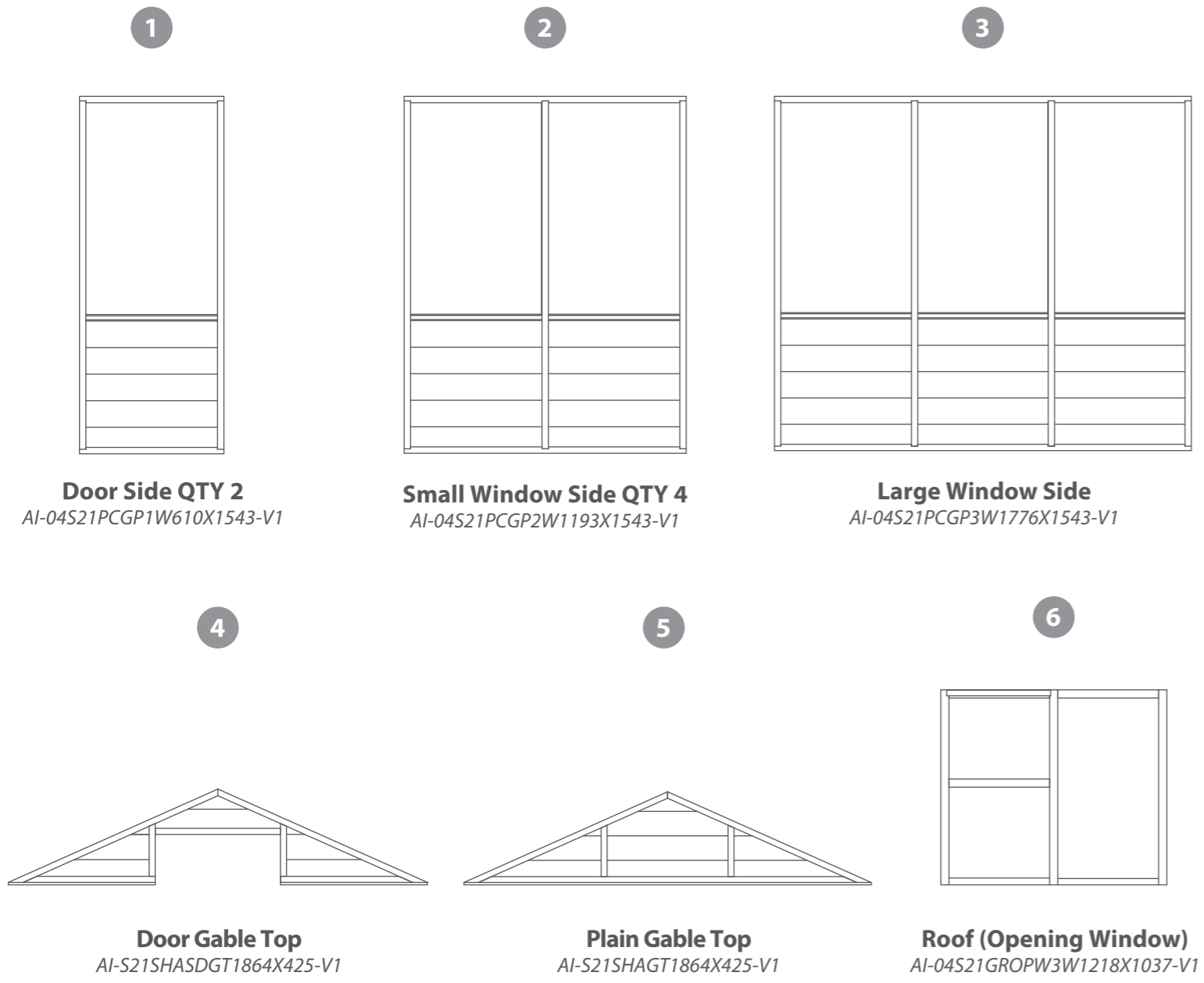
NOTES

Overall Dimensions:
 Width = 2042mm
 Depth = 2460mm
 Height = 2059mm

Base Dimensions:
 Width = 1864mm
 Depth = 2386mm



Contents:




27  **Window Strip - 12x27x926mm QTY 16**
S1227-926mm

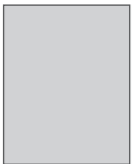
28  **Window Strip - 12x27x1776mm QTY 1**
S1227-1776mm


29  **Window Strip - 12x27x1193mm QTY 4**
S1227-1193mm

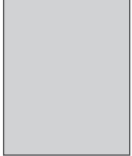
30  **Window Strip - 12x27x610mm QTY 2**
S1227-610mm


31  **Strip - 12x44x543mm QTY 1**
S1244-543mm

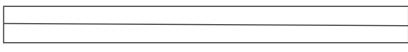
32  **Strip - 12x44x993mm QTY 8**
S1244-993mm

33  **Styrene 942x570x2mm QTY 13**
PI-05-0151


34  **Styrene 503x570mm QTY 1**
PI-05-0158

35  **Styrene 985x570mm QTY 7**
PI-05-0157

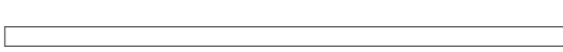
36  **Strip - 12x44x1218mm QTY 4**
S1244-1218mm


37  **Window Cill 610mm QTY 2**
PI-08-0021


38  **Window Cill 1193mm QTY 4**
PI-08-0019

39  **Window Cill 1776mm QTY 1**
PI-08-0020

40  **Strip - 12x21x560mm QTY 1**
S1221-560mm

41  **Corner Trims - 12x56x1576mm QTY 4**
S1256-1576mm

42  **Strip - 12x95x993mm QTY 2**
S1295-993mm

43  **Strip - 12x56x926mm QTY 2**
S1256-926mm

44  **Strip - 12x56x570mm QTY 2**
S1256-570mm

Nail Bag

There may be extra screws present in the nail bag



This greenhouse can be assembled along side the 4x6 apex shed (01DTSHAX0406SDFW-V1)

If you have purchased both these buildings, please follow the greenhouse assembly instructions from Step 1a on Page 15.

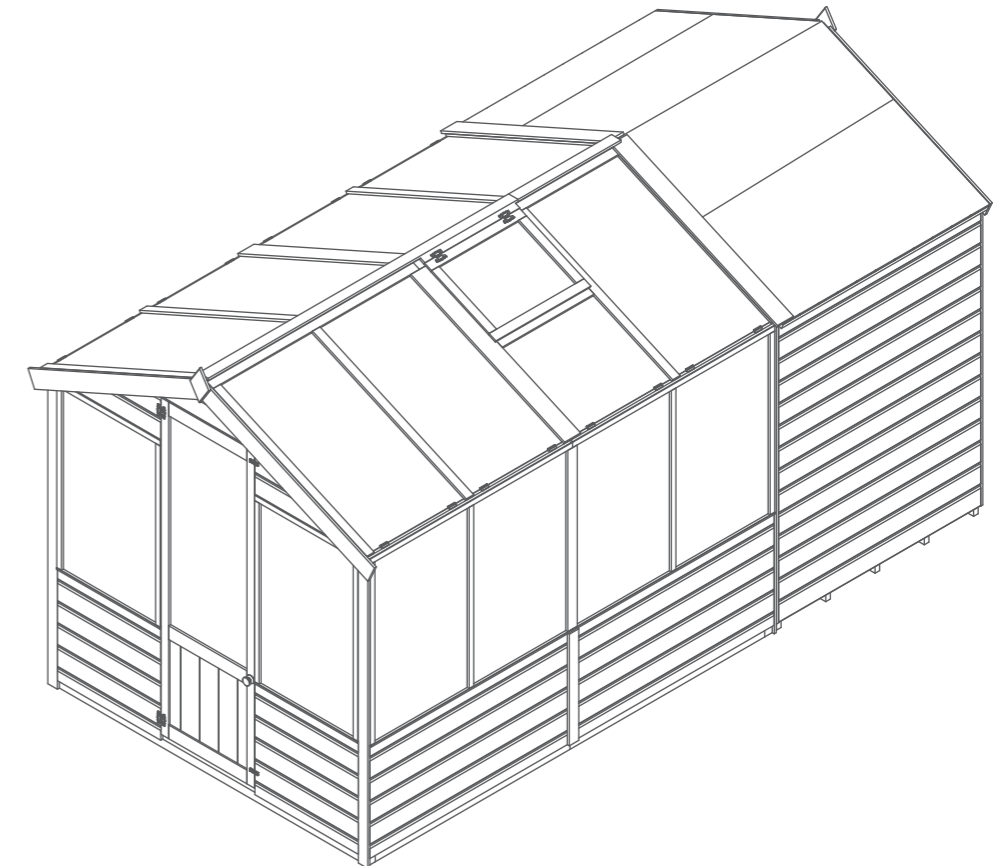
12x6 Greenhouse with shed

Overall Dimensions:

Width = 2042mm
Depth = 3665mm
Height = 2039mm

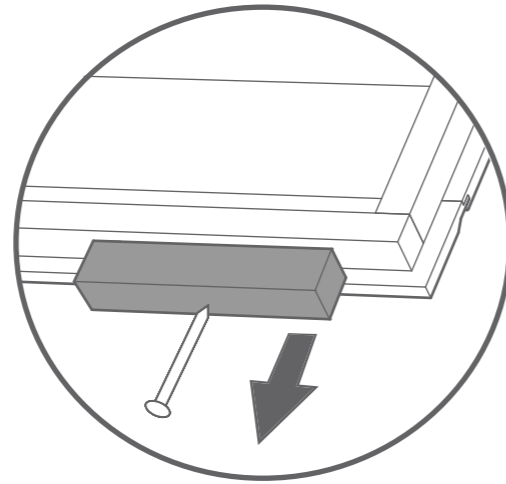
Base Dimensions:

Width: 1860mm
Depth: 3590mm



Pre Assembly

Before assembling remove the transportation blocks from the bottom of each panel.



Step 1

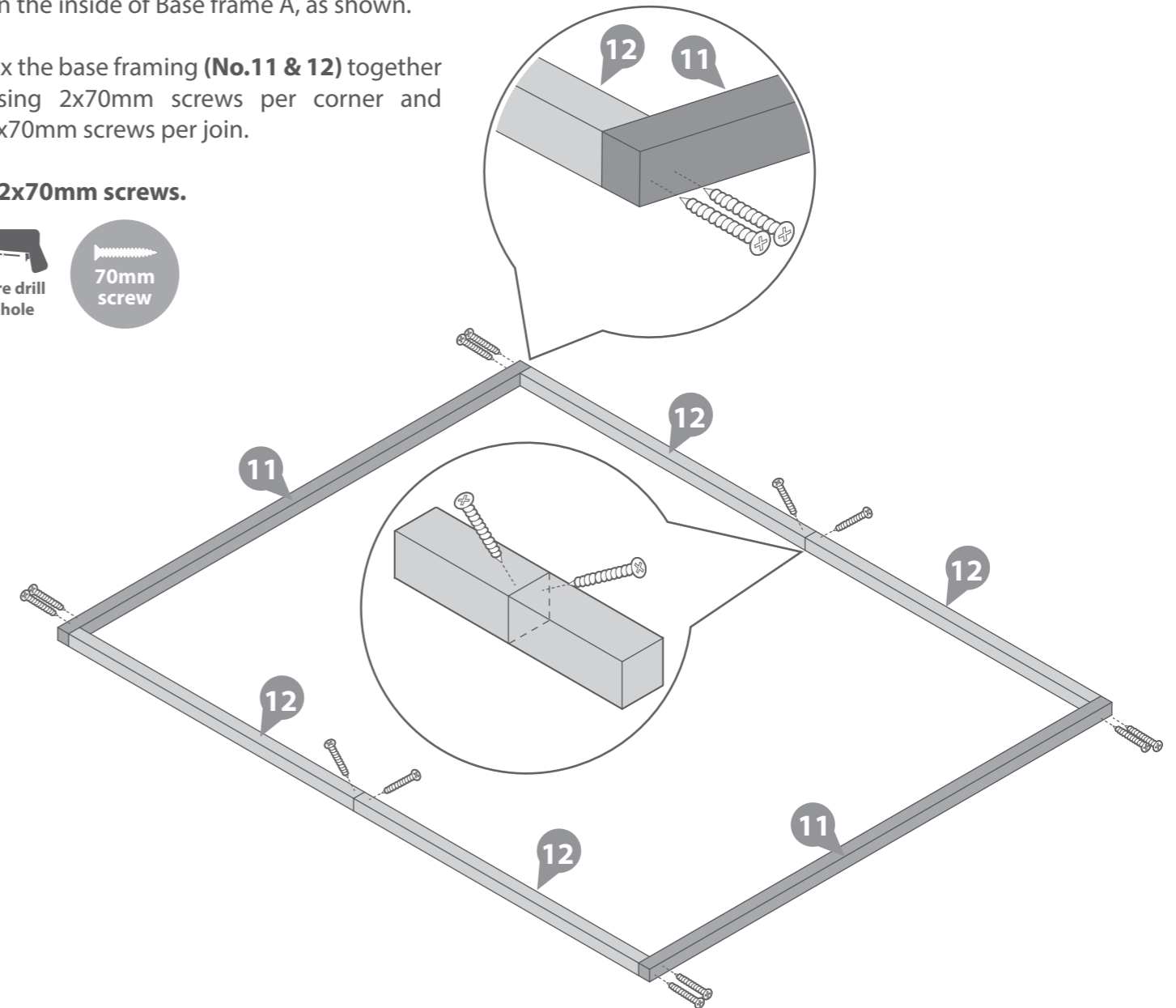
Parts needed - No. 11 QTY 2
No. 12 QTY 4

IMPORTANT: Pre-drill before fixing screws.

Lay the Base Frames (No.11 & 12) down on a flat and level base. Ensure the framing is flush and level and that Base Frame B, sits on the inside of Base frame A, as shown.

Fix the base framing (No.11 & 12) together using 2x70mm screws per corner and 2x70mm screws per join.

12x70mm screws.

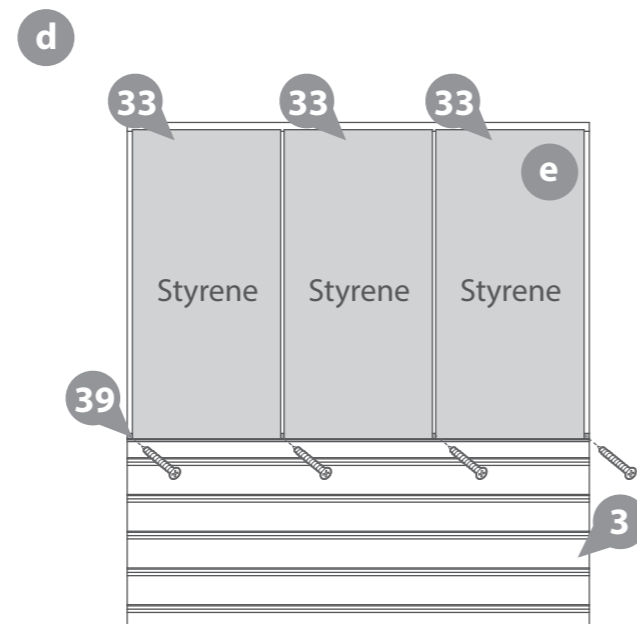
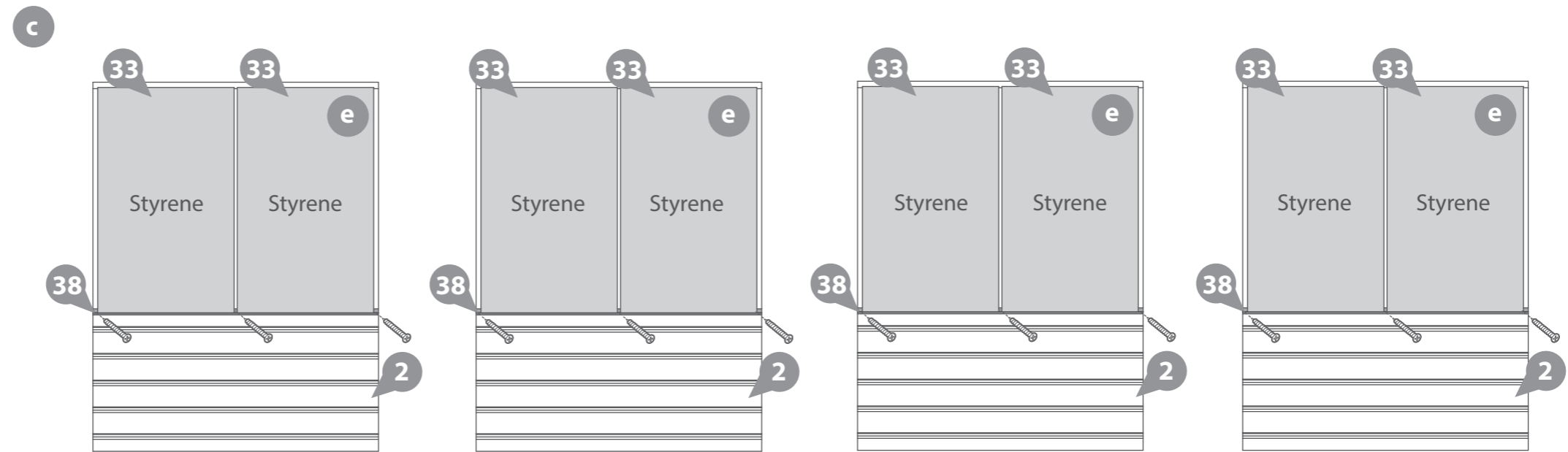
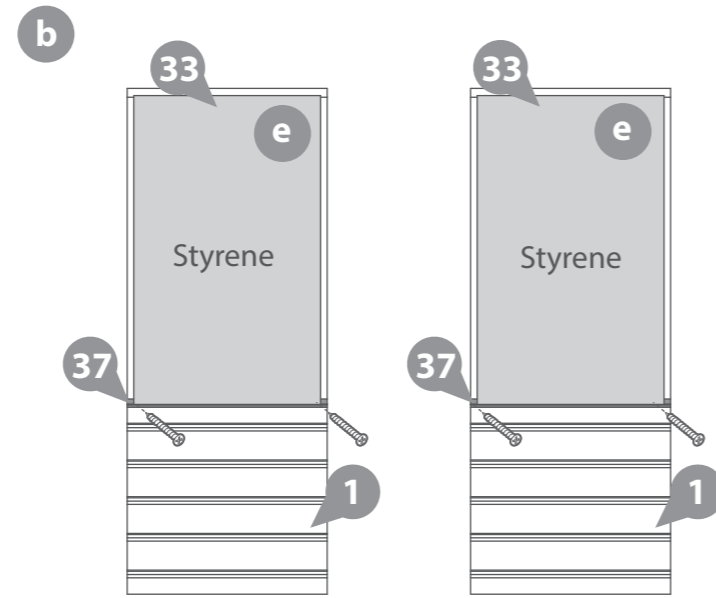


IMPORTANT: Pre-drill before fixing screws.

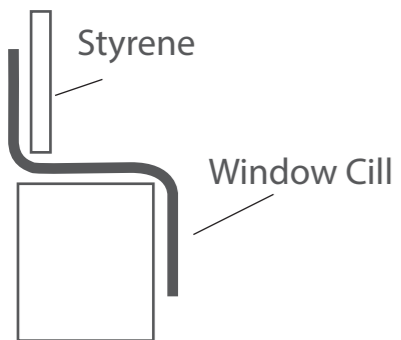
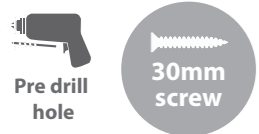
Step 2

Parts needed - No. 1	QTY 2	No. 37	QTY 2
No. 2	QTY 4	No. 38	QTY 4
No. 3	QTY 1	No. 39	QTY 1
No. 33	QTY 13		

- a** Lay the Door Sides (**No.1**), Small Window Sides (**No.2**) and Large Window Side (**No.3**) down on a flat and level base.
- b** Place the Plastic Cills 610mm (**No.37**) onto the lip of the external window opening of the Door sides (**No.1**). Secure the Cill to the framing using 3x30mm screws.
- c** Place the Plastic Cills 1193mm (**No.38**) onto the lip of the external window opening of the Small Window Sides (**No.1**). Secure the Cill to the framing using 3x30mm screws.
- d** Place the Plastic Cill 1776mm (**No.39**) onto the lip of the external window opening of the Large Window Sides (**No.3**). Secure the Cill to the framing using 4x30mm screws.
- e** Place the styrene (**No.33**) on top of the cills, ensuring there is equal spacing on all sides, as shown.



20x30mm screws.

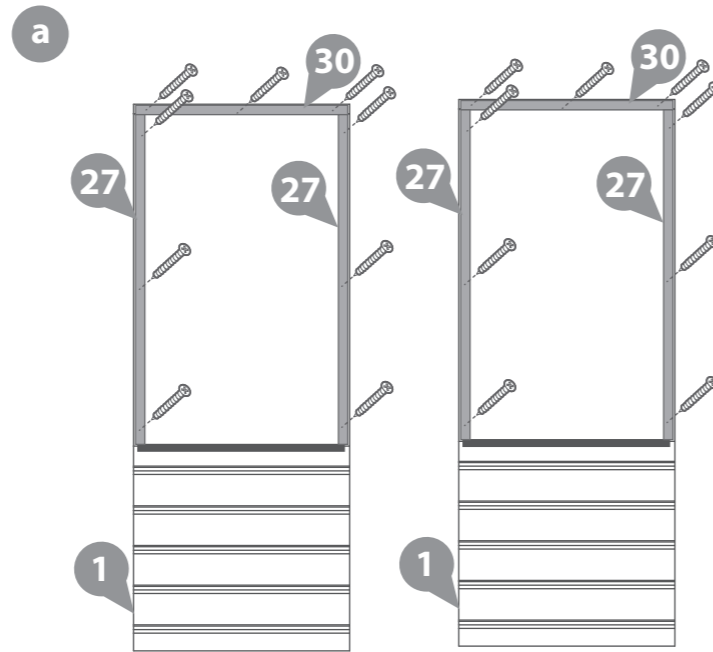


Step 3

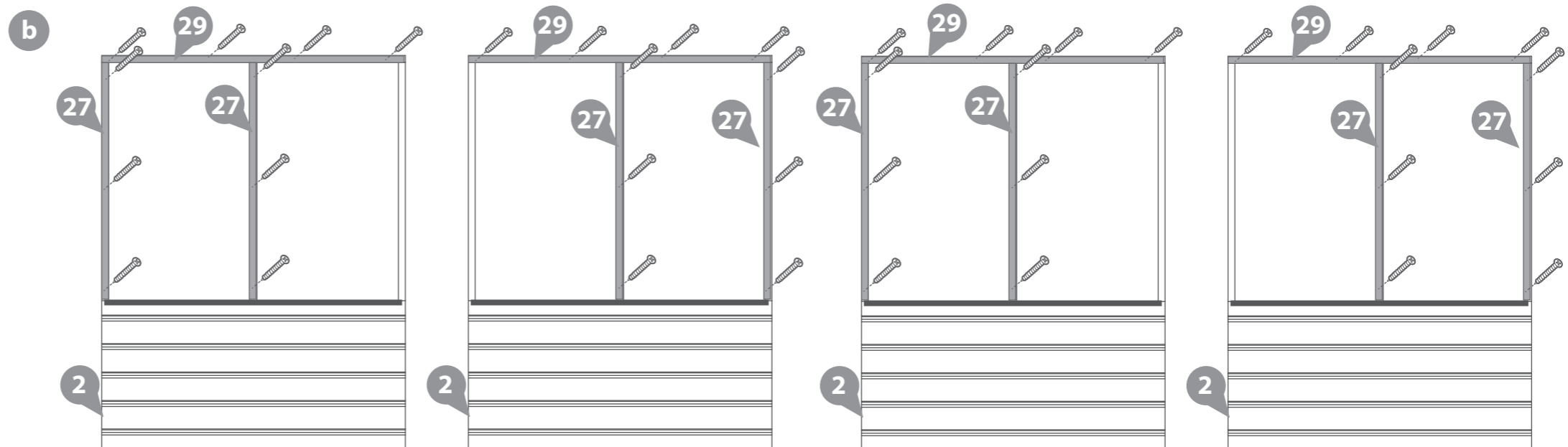
- Parts needed - No. 27 QTY 16**
No. 28 QTY 1
No. 29 QTY 4
No. 30 QTY 2

IMPORTANT: Pre-drill before fixing screws.

a On the Door sides (**No.1**) locate Window strips (**No.27**) onto either side of the panel and the Window Strips (**No.30**) along the top of the panel, ensuring to trap the styrene. Fix in place using 3x30mm screw per strip.



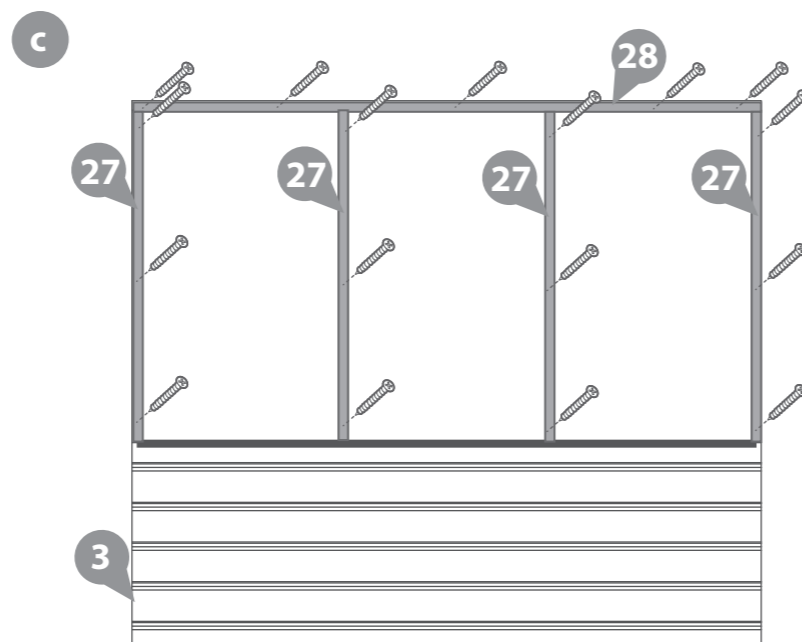
b On the Small Window Side (**No.2**) locate Window strips (**No.27**) onto one side of the panel and where the styrene joins and the Window Strip (**No.29**) along the top of the panel, ensuring to trap the styrene.



Note: Working in pairs of panels, ensure to leave one side without a strip, as shown. This will be covered once the panels have been fixed together.

Fix in place using 3x30mm screw per side strip and 4x30mm screws for the top strip.

c On the Large Window Side (**No.3**) locate Window strips (**No.27**) onto either side of the panel and where the styrene joins and the Window Strip (**No.28**) along the top of the panel, ensuring to trap the styrene. Fix in place using 3x30mm screw per side strip and 5x30mm screws for the top strip.



75x30mm screws.



Pre drill hole

30mm screw

Step 4

Parts needed - No. 2 QTY 1
No. 3 QTY 1

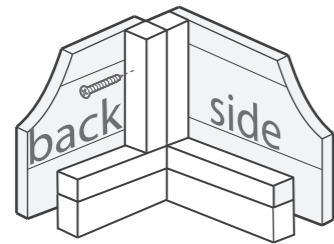
Locate the Small Window Side (No.2) and the Large Window Side (No.3) on top of the bearers at the corner, ensuring there is equal spacing between the panels and the base frame on each side.

Note: The large window side sits in between the two side panels.

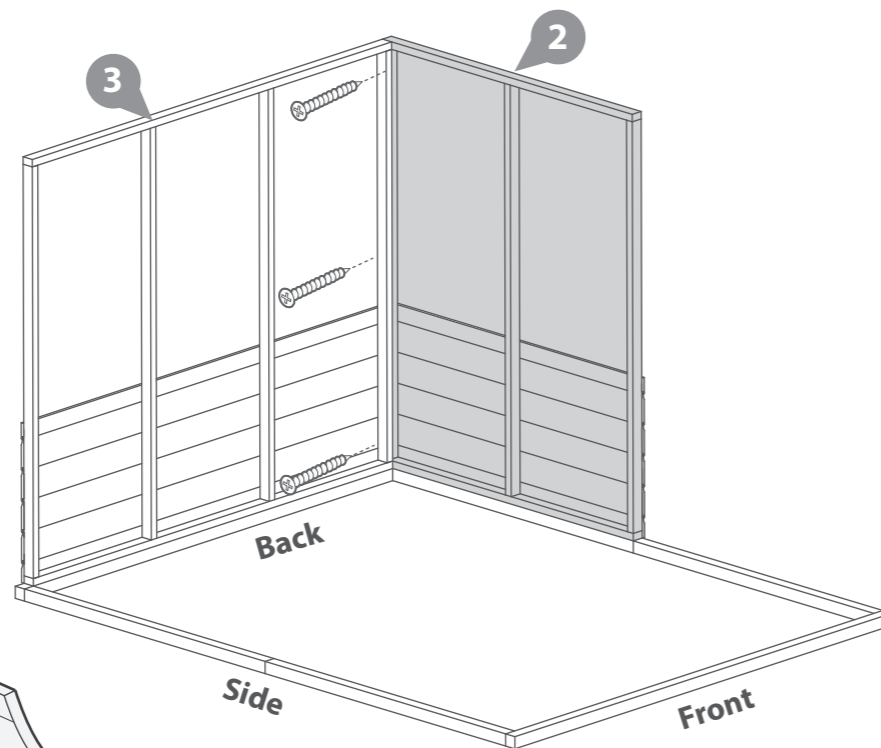
Secure the panels together by screwing through the corners using 3x50mm screws.

DO NOT fix the panels to the floor until the roof has been fitted.

3x50mm screws.



IMPORTANT: Pre-drill before fixing screws.



Step 6

Parts needed - No. 2 QTY 1

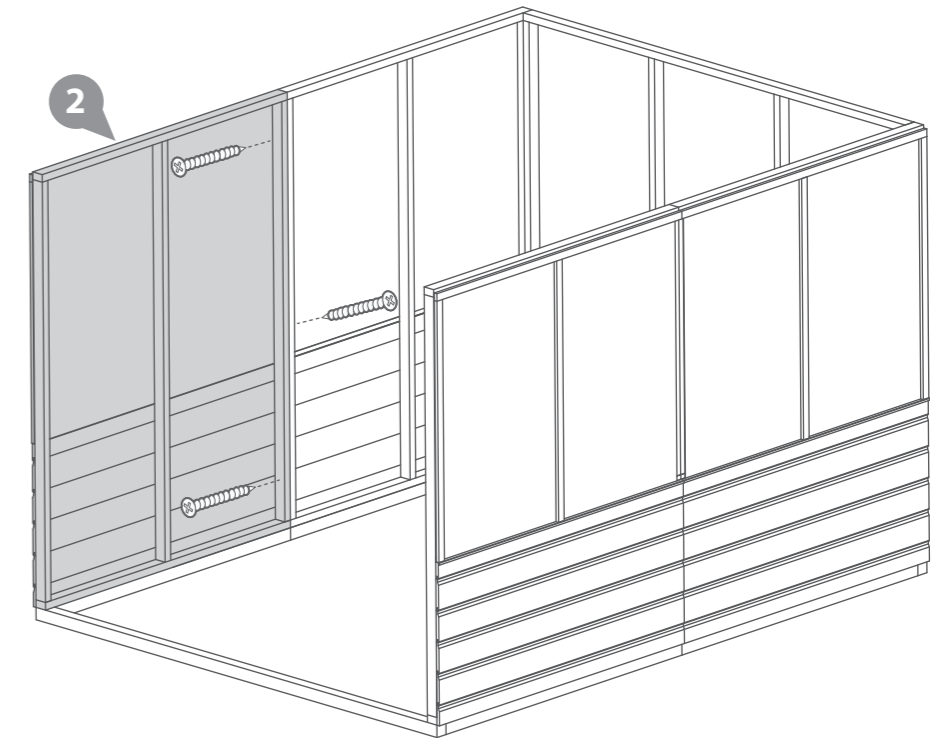
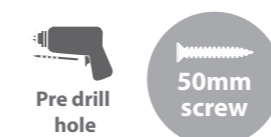
Locate the remaining Small Window Side (No.2) on top of the bearers at the corner, ensuring there is equal spacing between the panels and the base frame on each side.

Note: The large window side sits in between the two side panels.

Secure the panels together by screwing through the framing using 3x50mm screws.

DO NOT fix the panels to the floor until the roof has been fitted.

3x50mm screws.



Step 5

Parts needed - No. 2 QTY 2

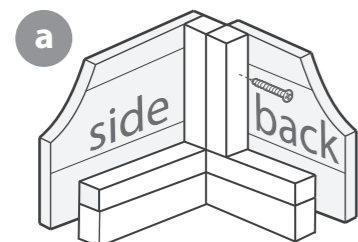
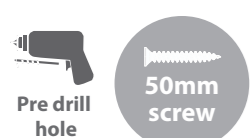
Locate two Small Window Sides (No.2) on top of the bearers at the corner, ensuring there is equal spacing between the panels and the base frame on each side.

Note: The large window side sits in between the two side panels.

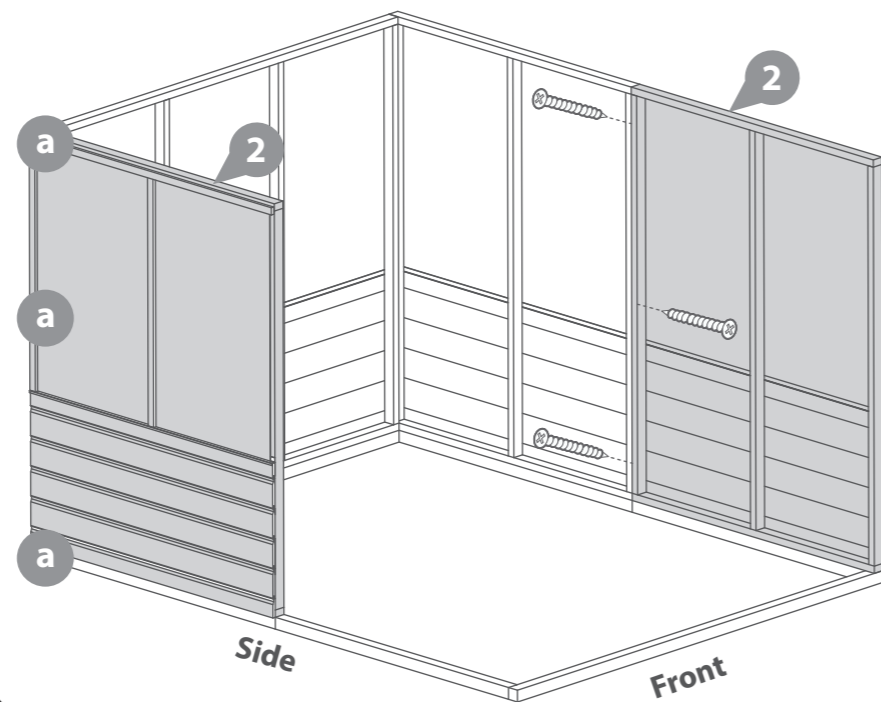
Secure the panels together by screwing through the corners using 3x50mm screws.

DO NOT fix the panels to the floor until the roof has been fitted.

6x50mm screws.



IMPORTANT: Pre-drill before fixing screws.



Step 7

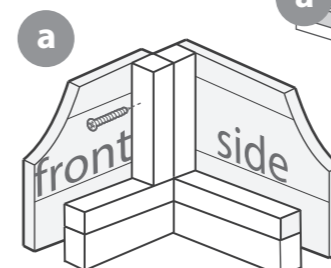
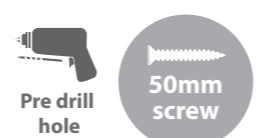
Parts needed - No. 1 QTY 2

Locate the Door Side (No.1) on top of the bearers at the front corners, between the Small Window Sides (No.2) ensuring there is equal spacing between the panels and the floor bearers on each side.

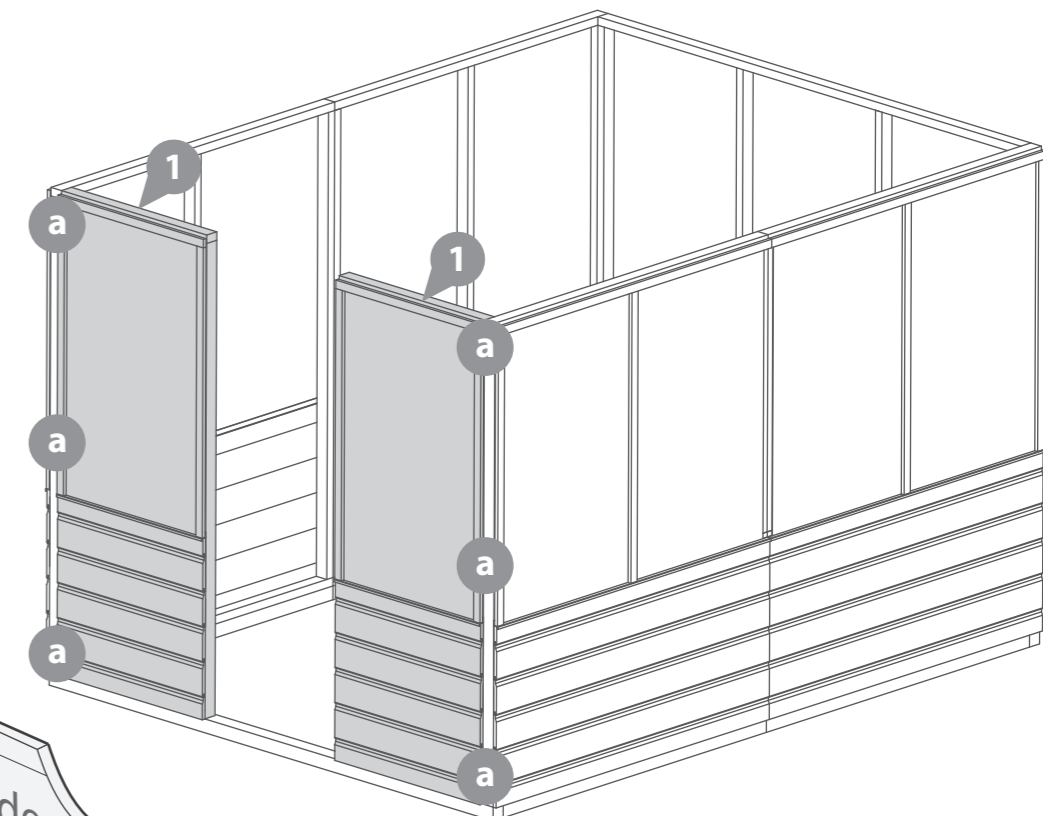
Secure the panels together by screwing through the corners using 3x50mm screws.

DO NOT fix the panels to the floor until the roof has been fitted.

6x50mm screws.



IMPORTANT: Pre-drill before fixing screws.

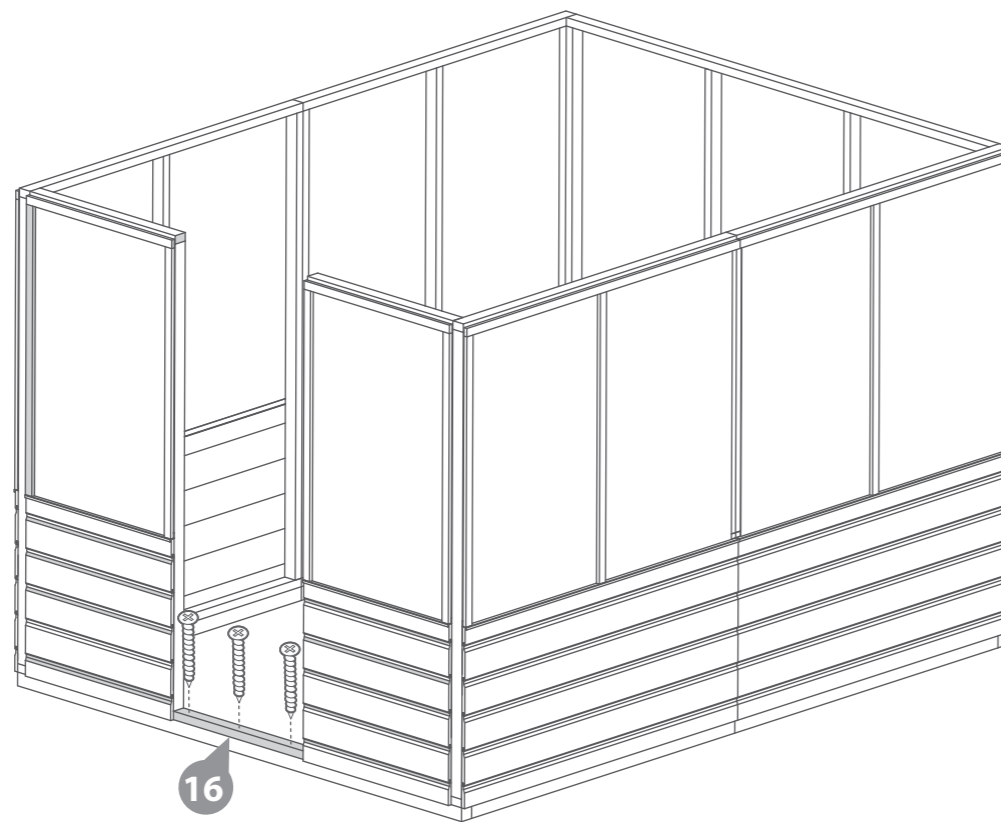
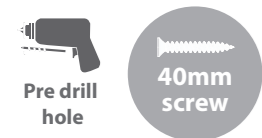


Step 8
Parts needed - No. 16 QTY 1

Locate the Door Frame (No.14) onto the base framing between the Door Sides (No.1).

Fix in place using 3x40mm screws.

3x40mm screws.



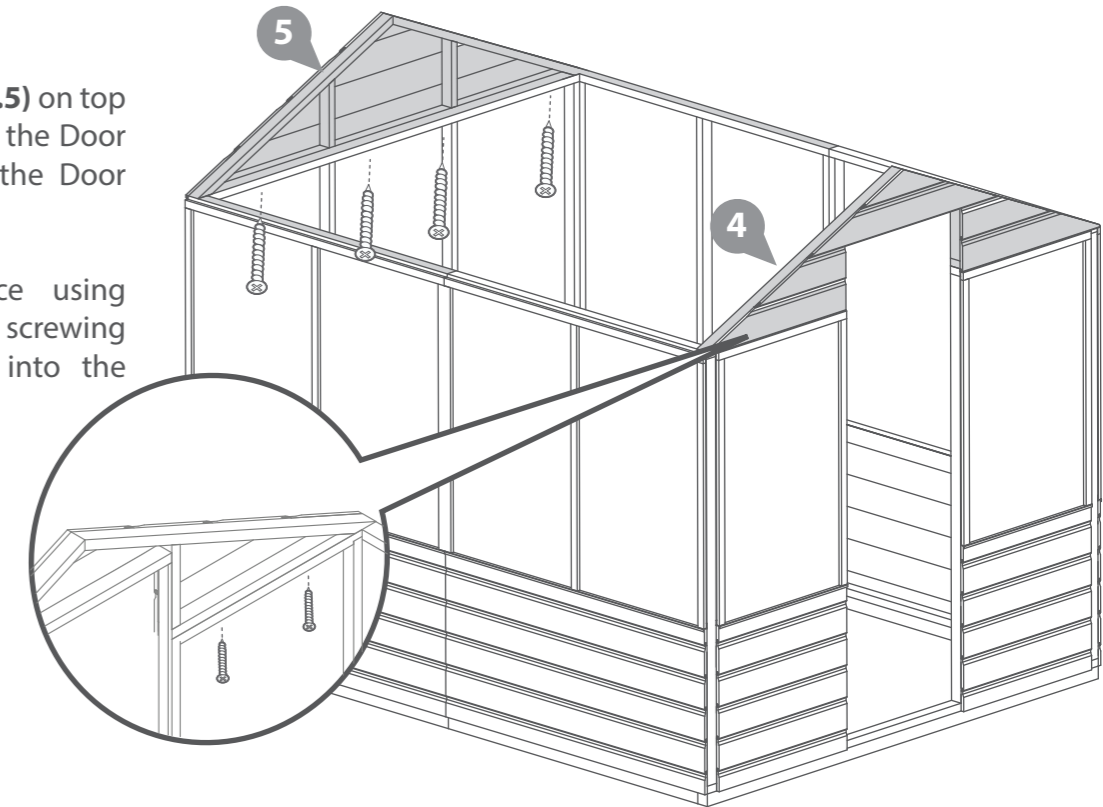
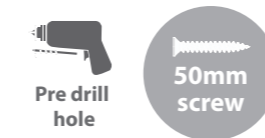
IMPORTANT: Pre-drill before fixing screws.

Step 10
Parts needed - No. 4 QTY 1
No. 5 QTY 1

Locate the Plain Gable Top (No.5) on top of the Large Window Side and the Door Gable top (No.4) on top of the Door Sides, as shown.

Secure the gables in place using 4x50mm screws per gable top, screwing through the panel framing into the gable framing above.

8x50mm screws.



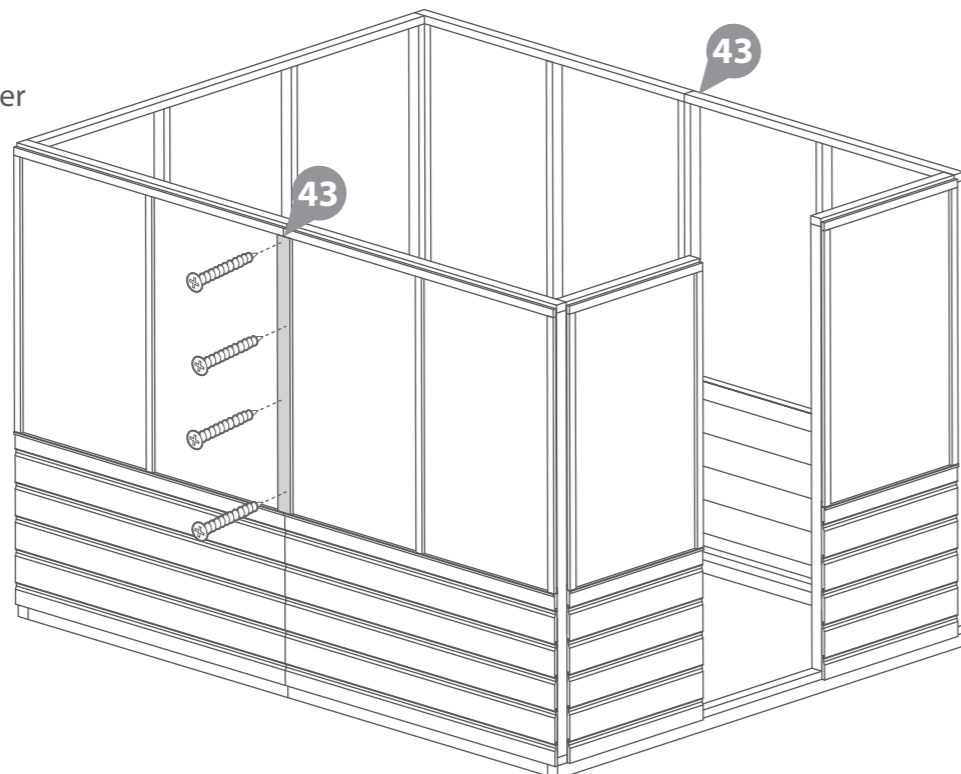
IMPORTANT: Pre-drill before fixing screws.

Step 9
Parts needed - No. 43 QTY 2

Locate a Strip (No.43) over the joining of the Small Window Panels (No.2) on either side.

Fix in place using 4x30mm screws per strip.

8x40mm screws.



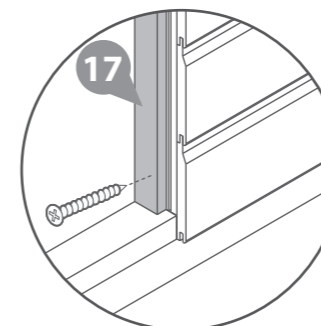
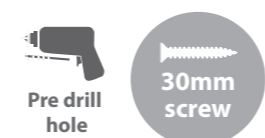
IMPORTANT: Pre-drill before fixing screws.

Step 11
Parts needed - No. 17 QTY 2

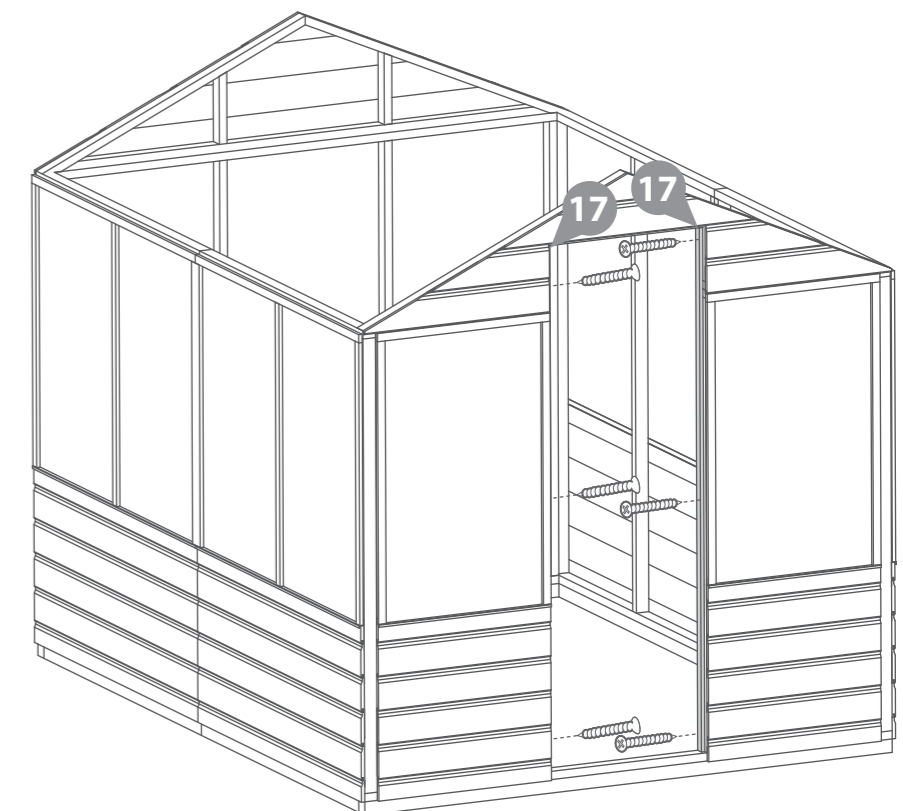
Locate the two Door strips (No. 17) to either side of the door opening, ensuring the Strips are flush with the internal framing of the panel, as shown.

Fix in place using 3x30mm screws per strip.

6x30mm Screws.



IMPORTANT: Pre-drill before fixing screws.

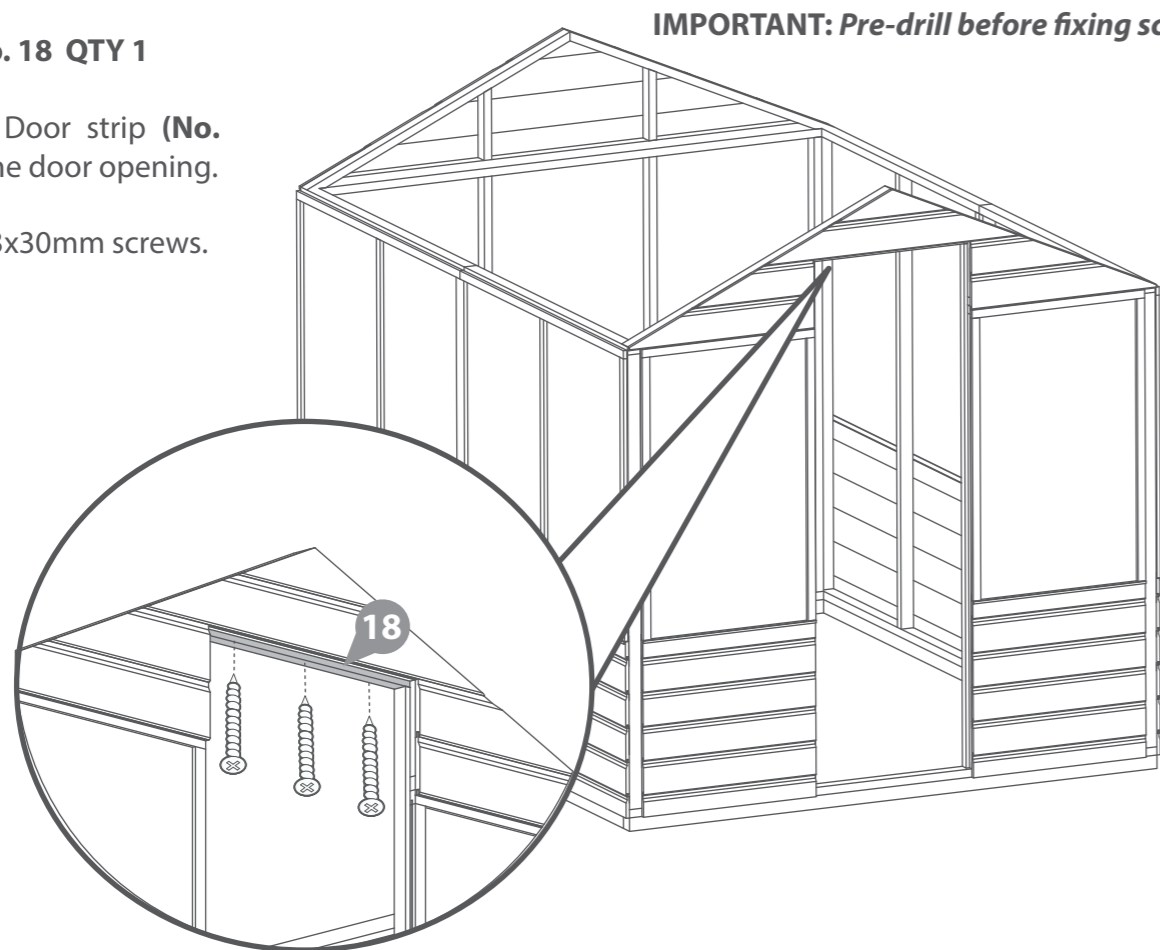


Step 12
Parts needed - No. 18 QTY 1

Locate the Short Door strip (No. 18) to the top of the door opening.

Fix in place using 3x30mm screws.

3x30mm Screws.



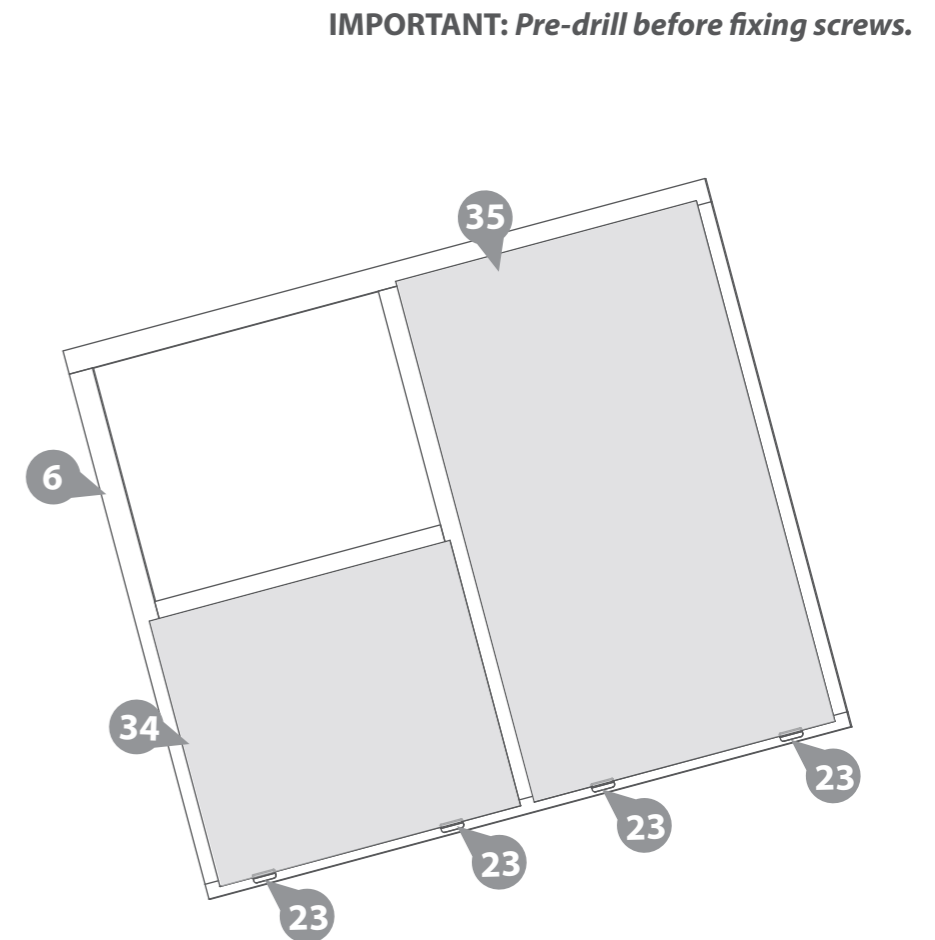
IMPORTANT: Pre-drill before fixing screws.

Step 14
Parts needed - No. 6 QTY 1
No. 23 QTY 4
No. 34 QTY 1
No. 35 QTY 1

Lay the roof panel (No. 6) down ensuring the thinner edge of the frame is at the bottom. Place the styrene sheets (No. 34 & 35) in position as shown.

Fix in place using two Window Glazing beads (No. 23) per Styrene sheet. Screw down through the bead into the framing below using 2x16mm screws per bead.

8x16mm Screws.

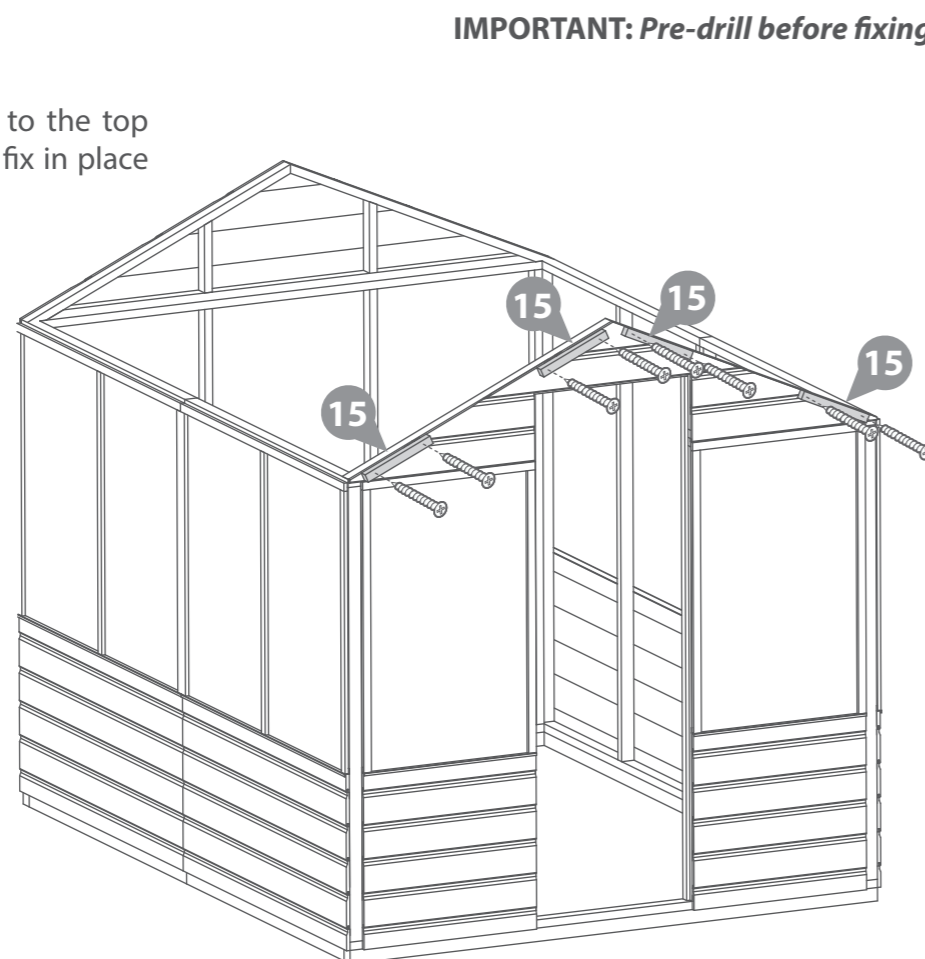
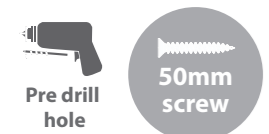


IMPORTANT: Pre-drill before fixing screws.

Step 13
Parts needed - No. 15 QTY 4

Align the Fascia Blocks (No. 15) to the top edge of the Door Gable Top and fix in place using 2x50mm screws per block.

8x50mm Screws.



IMPORTANT: Pre-drill before fixing screws.

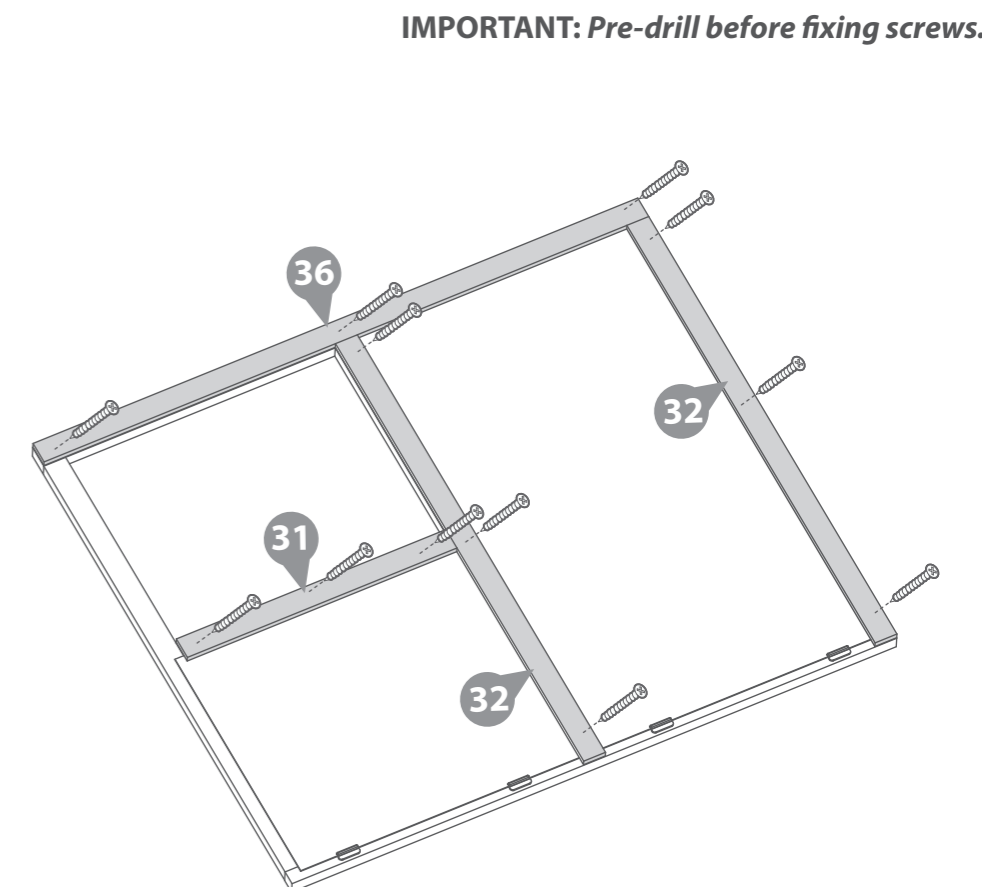
Step 15
Parts needed - No. 31 QTY 1
No. 32 QTY 2
No. 36 QTY 1

Locate the strips (No 31, 32, & 36) onto the top of the Roof panel, ensure to trap the styrene and that the framing is flush to the edge of the panel and each strip, as shown.

Ensure to leave one side of the panel free from any strips, as this will be covered once attached to the other Roof panel.

Fix the strips in place using 3x30mm screws per strip. Ensure you screw to the side of the styrene not through it.

12x30mm Screws.



IMPORTANT: Pre-drill before fixing screws.

Step 16

- Parts needed - No. 9 QTY 1**
No. 21 QTY 2
No. 40 QTY 1

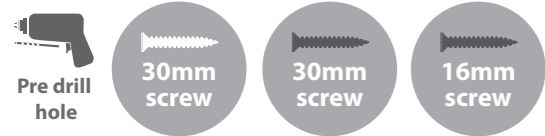
Locate the Opening Window (**No.9**) into the Window aperture, ensuring equal spacing on all sides.

Locate the strip (**No.40**) onto the window panel above the Window (**No.9**) and fix in place with 4x30mm screws.

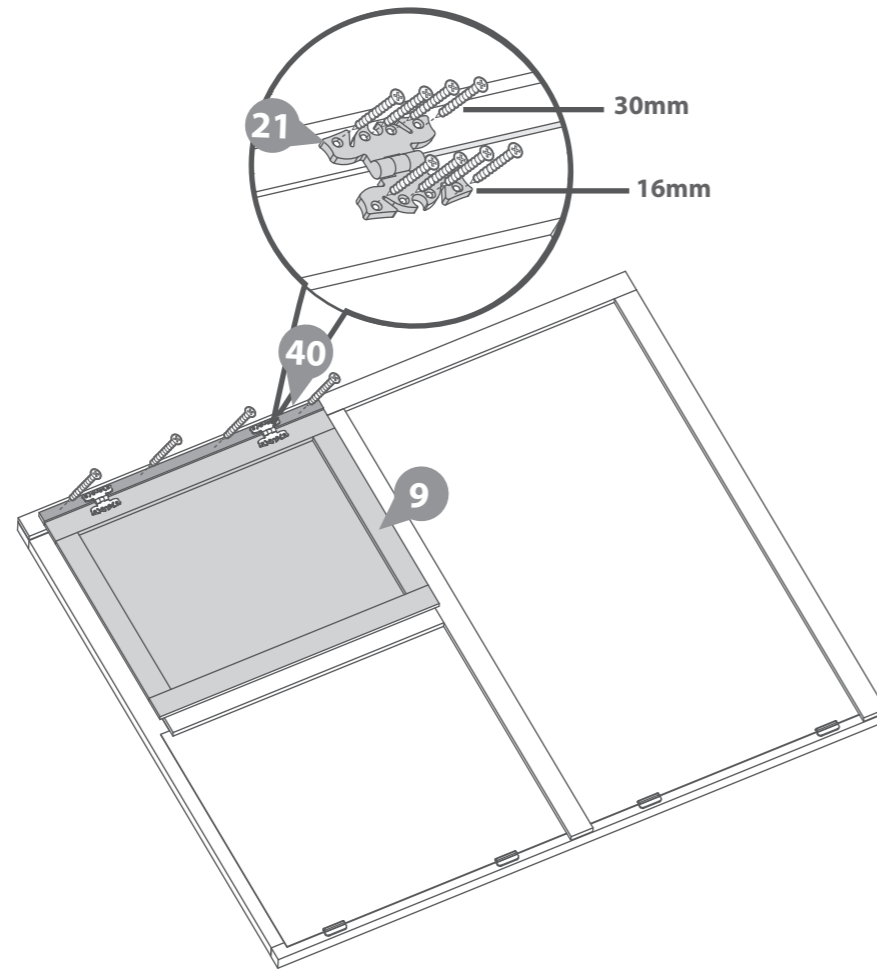
Locate the Hinges (**No.21**) onto the Strip (**No.40**) and Window (**No.9**), as shown.

Secure in place using 4x16mm screw per hinge for the part of the hinge that is on the window and 4x30mm black screws per hinge for the hinge that is on the strip, as shown.

- 4x30mm Screws.**
8x30mm Black Screws.
8x16mm Black Screws.



IMPORTANT: Pre-drill before fixing screws.



Step 17

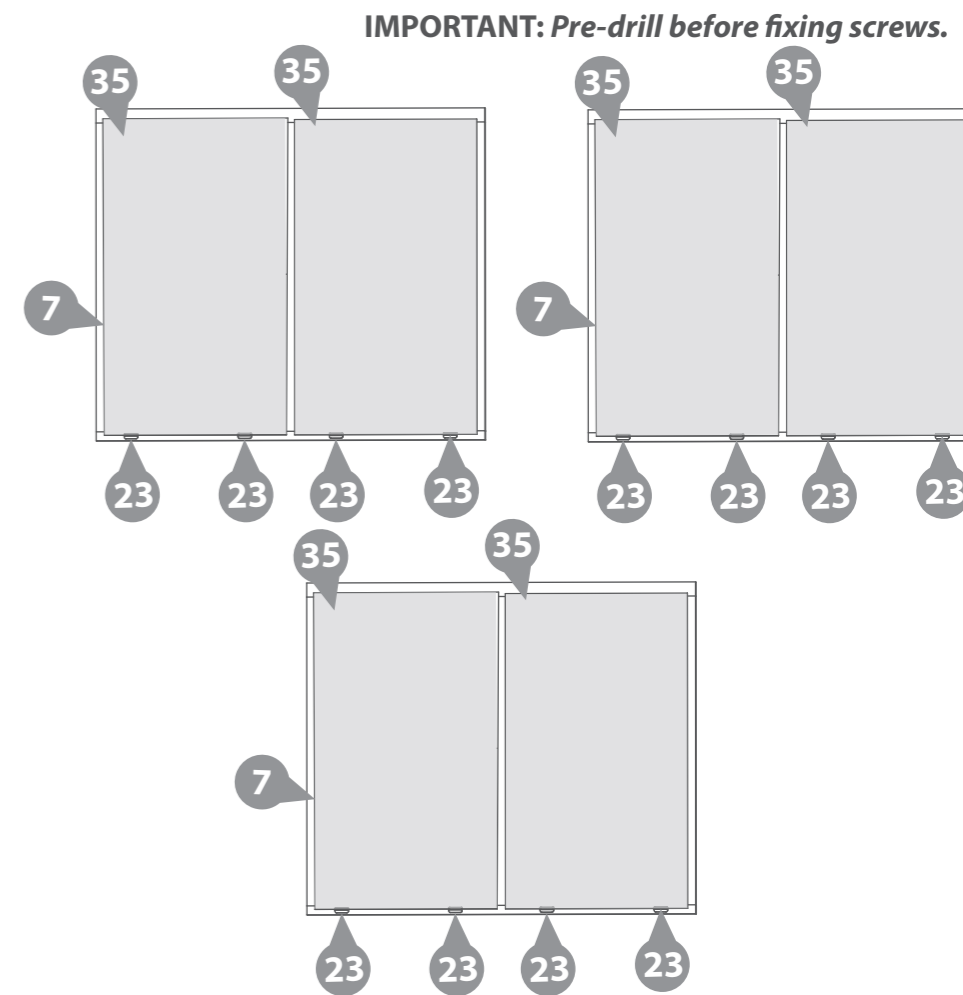
- Parts needed - No. 7 QTY 3**
No. 23 QTY 12
No. 35 QTY 6

Lay the Roof Panel (**No. 7**) down ensuring the thinner edge of the frame is at the bottom. Place the styrene sheets (**No.35**) in position as shown.

Fix in place using two Window Glazing beads (**No. 23**) per Styrene sheet. Screw down through the bead into the framing below using 2x16mm screws per bead.

Repeat for all three Roof Panels.

24x16mm Screws.



IMPORTANT: Pre-drill before fixing screws.

Step 18

- Parts needed - No. 32 QTY 6**
No. 36 QTY 3

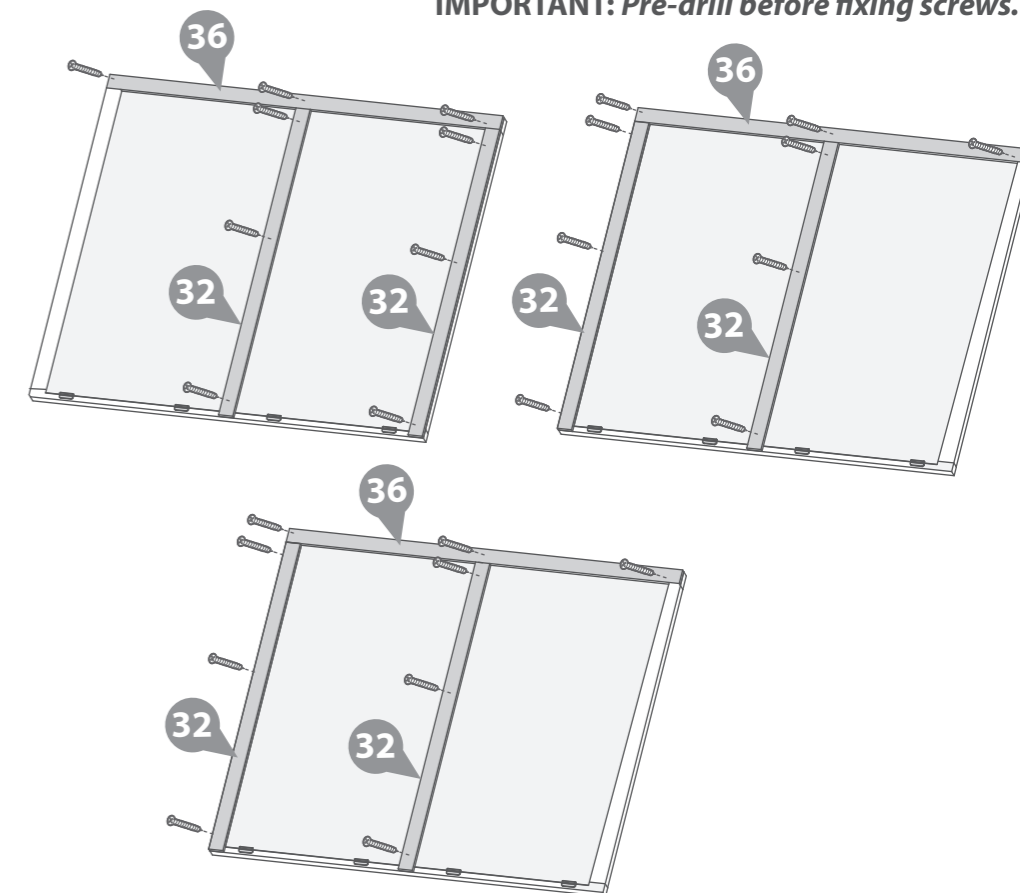
Locate the strips (**No 32 & 36**) onto the top of the Roof panel, ensure to trap the styrene and that the framing is flush to the edge of the panel and each strip, as shown.

Do not fit strips on the inside of the roof panels which will sit next to another roof panel, see illustration.

Fix the strips in place using 3x30mm screws per strip. Ensure you screw to the side of the styrene not through it.

Repeat for all three Roof Panels.

27x30mm Screws.



Step 19
Parts needed - No. 6 QTY 1
No. 7 QTY 3

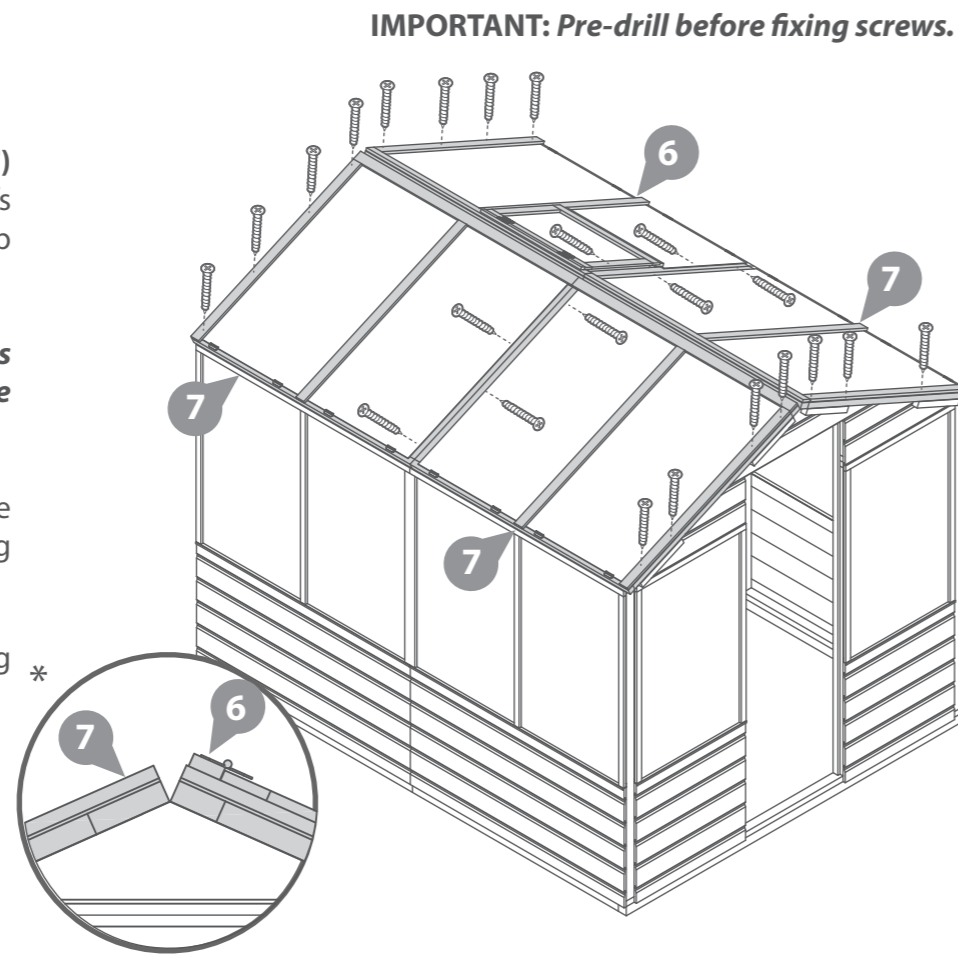
Place the assembled Roof panels (**No.6&7**) on top of each gable, making sure the roofs are flush to each gable and meet at the top of the apex.

***IMPORTANT: Ensure both roof sections meet at the top of the apex as shown in the illustration.**

Fix the roof panels together from the inside of the greenhouse in the middle using 4x70mm screws.

Secure the roof panels to the building using **8x50mm screws** per end.*

16x50mm Screws.
8x70mm Screws.

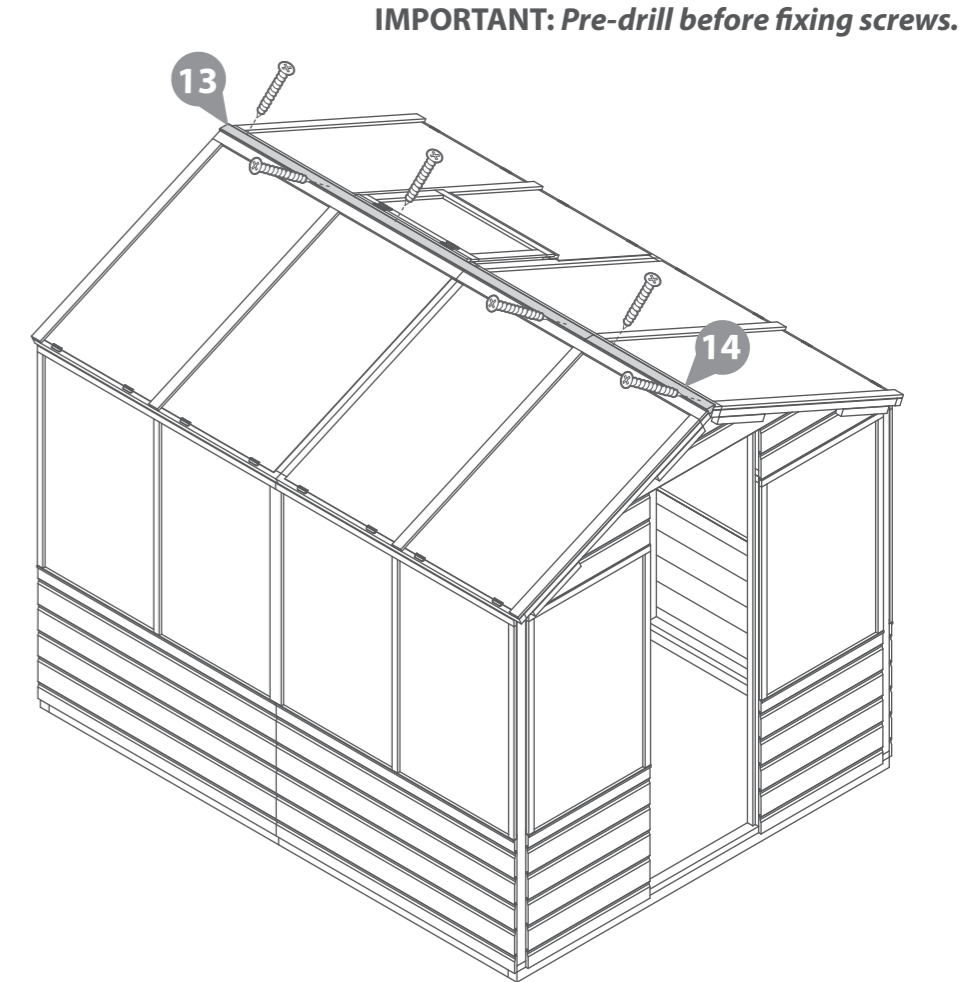


Step 21
Parts needed - No. 13 QTY 1
No. 14 QTY 1

Attach the Roof Support bars (**No. 13&14**) to the roof panels using 6x40mm screws.

Screw diagonally through the support into the roof panel as shown in the diagram.

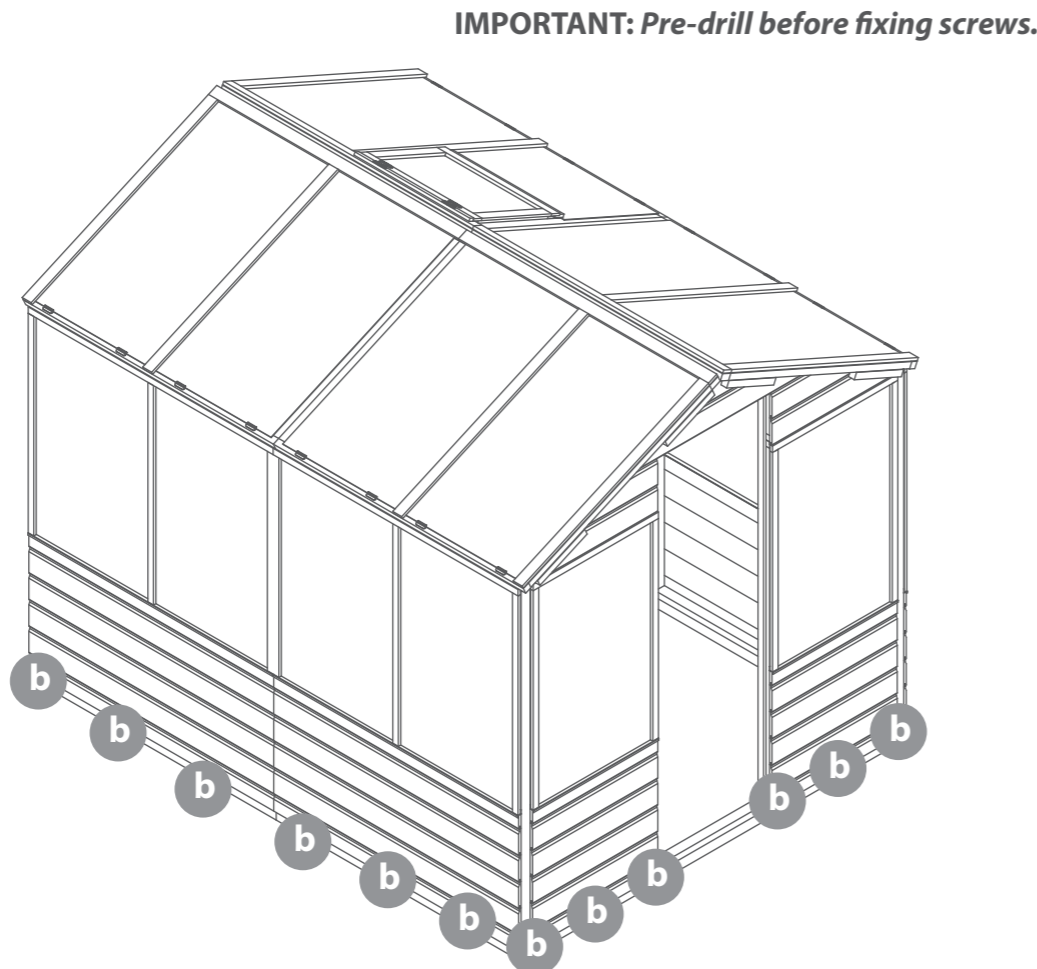
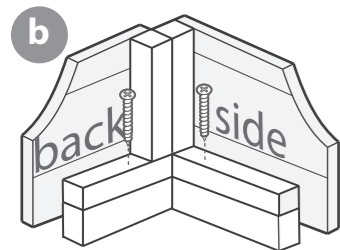
6x40mm Screws.



Step 20

Once the roof is fixed, the building can be secured to the base framing with 6x50mm screws per side.

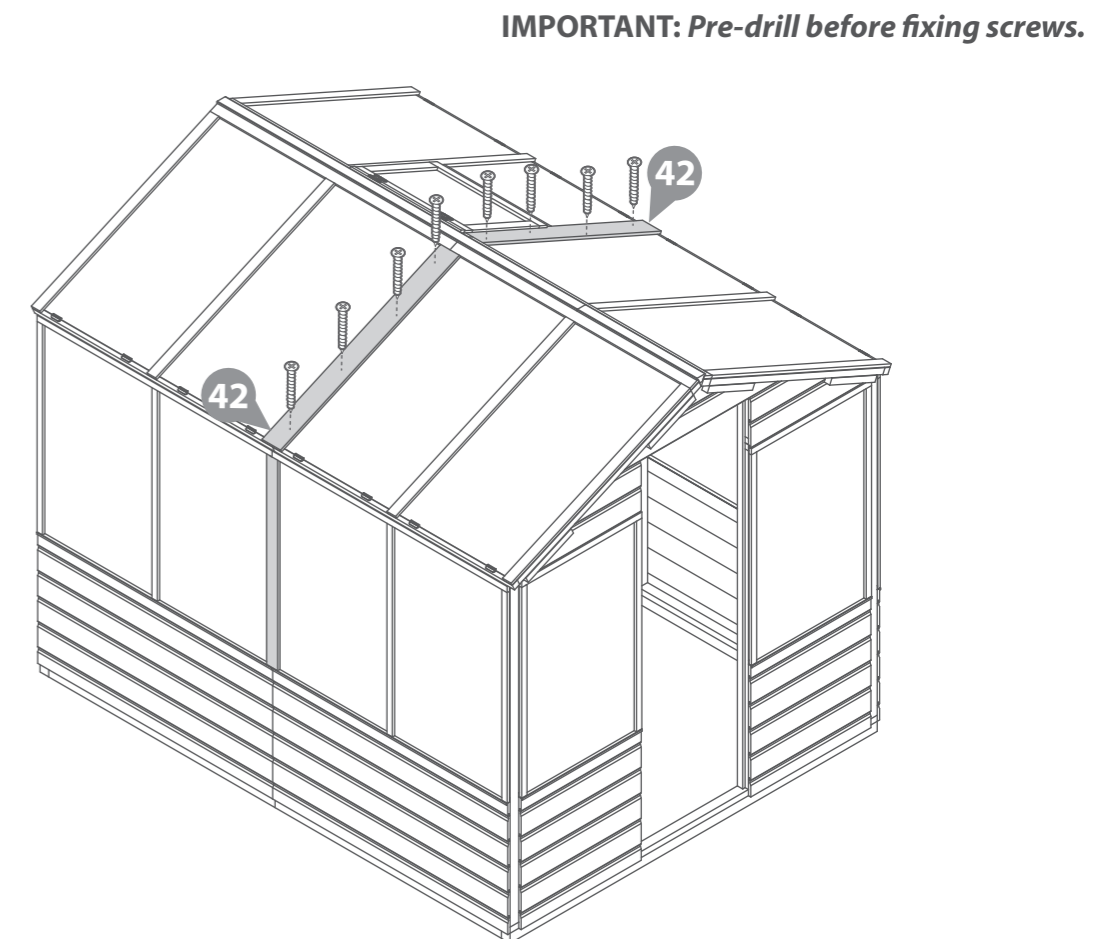
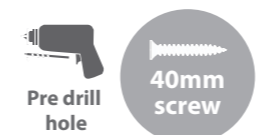
24x50mm Screws.



Step 22
Parts needed - No. 42 QTY 2

Fix strip (**No.42**) to the roofs to cover the panel joins using 4x30mm screws per strip.

8x40mm Screws.



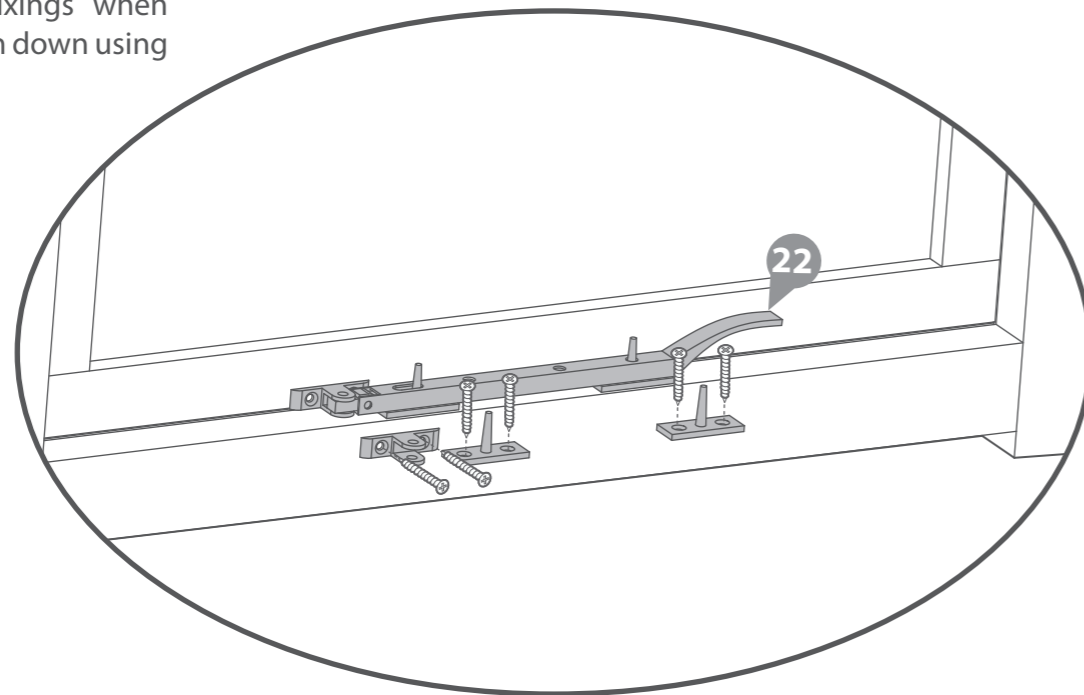
Step 23

Parts needed - No. 22 QTY 1

IMPORTANT: Pre-drill before fixing screws.

Fix the Casement stay (**No. 22**) to the opening window then align the fixings onto the window panel frame. Ensure the casement stay fits onto fixings when closed before screwing them down using 6x20mm screws.

6x20mm Screws.



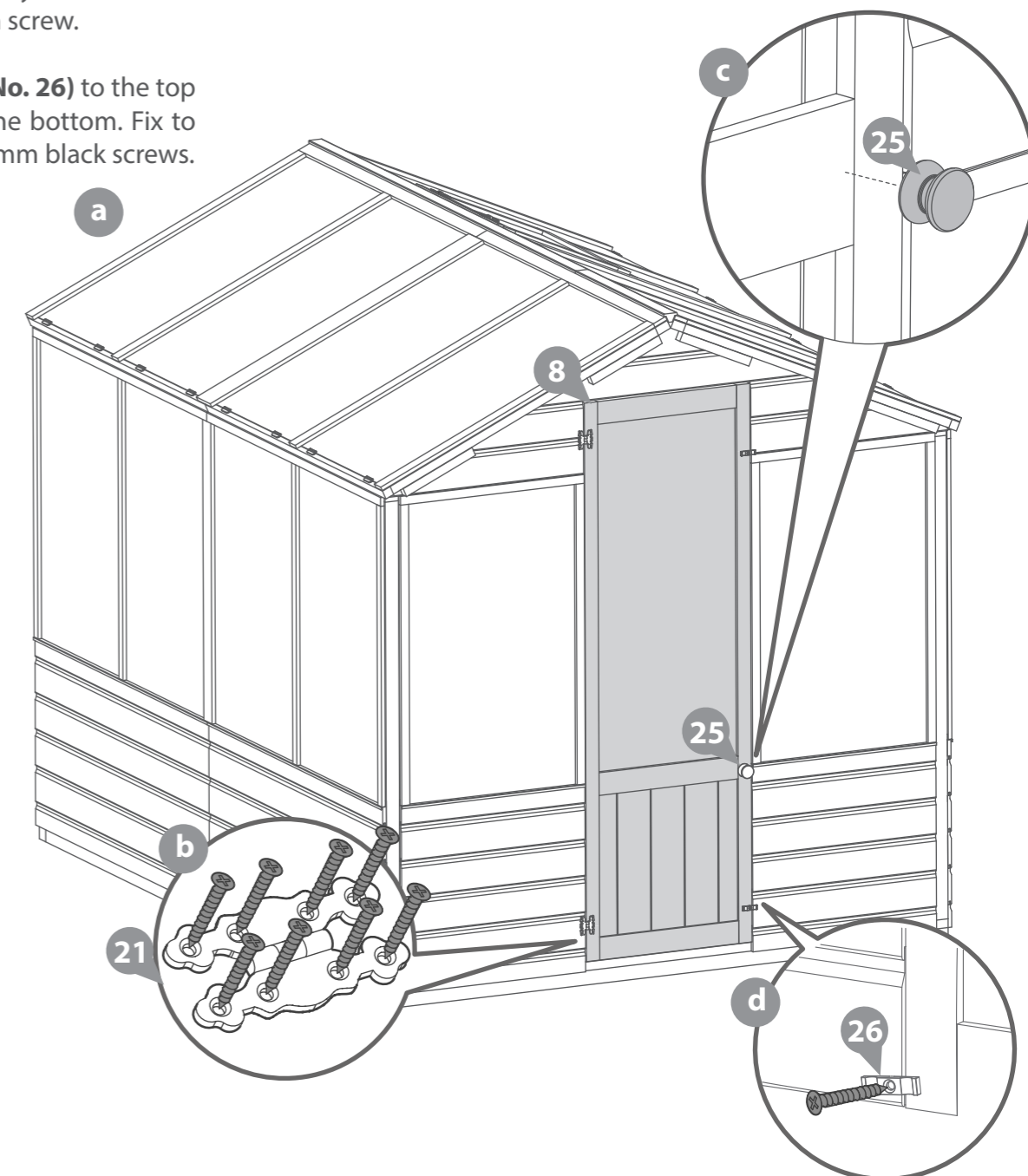
Step 24

**Parts needed - No. 8 QTY 1
No. 21 QTY 2
No. 25 QTY 1
No. 26 QTY 2**

IMPORTANT: Pre-drill before fixing screws.

- a** Locate the Door (**No. 8**) into Door opening ensuring there is equal spacing on all sides.
- b** Fix the door (**No. 8**) to the building using 16x30mm black screws per hinge (**No.21**) as shown in the diagram.
- c** Locate the Door Knob (**No.25**) onto the door (**No.8**). Secure in place by screwing through the door, internally, and into the door knob using 1x50mm screw.
- d** Locate one Turn Button (**No. 26**) to the top of the door and one to the bottom. Fix to the Door Side using 2x30mm black screws.

**18x30mm Black Screws.
1x50mm screw.**



Step 25
Parts needed - No. 41 QTY 4
No. 44 QTY 2

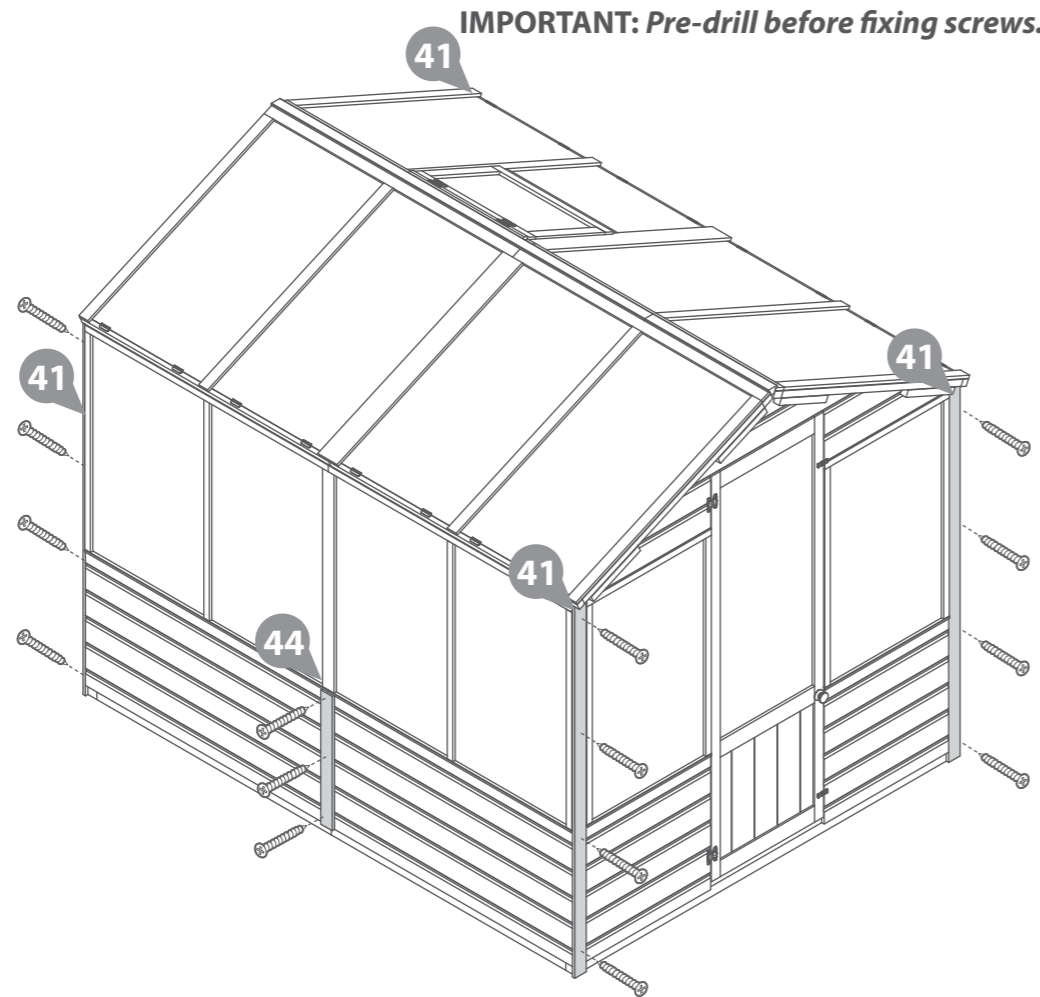
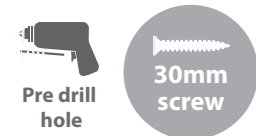
Locate the Corner Trims (**No.41**) onto each corner of the building, as shown.

Fix in place using 4x30mm screws per trim.

Locate the strips (**No.44**) onto the joins of the small window panels on each side, as shown.

Fix in place using 3x30mm screws per trim.

22x30mm Screws

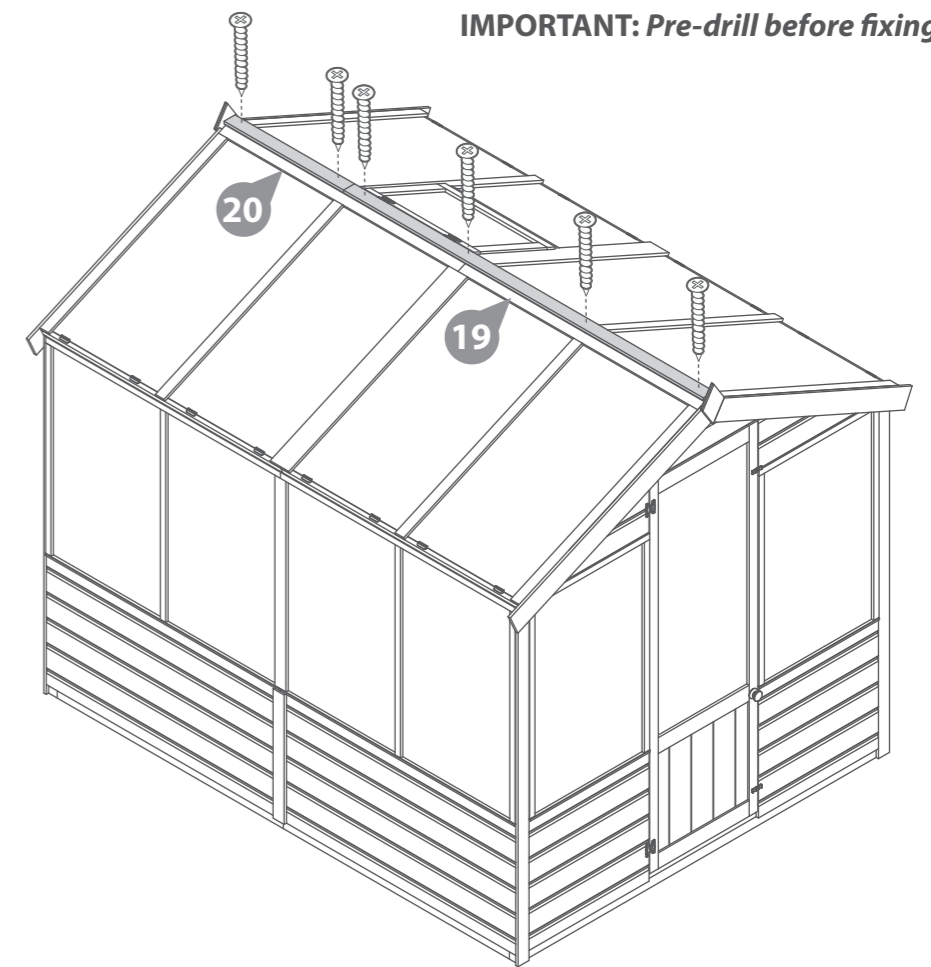


IMPORTANT: Pre-drill before fixing screws.

Step 27
Parts needed - No. 19 QTY 1
No. 20 QTY 1

Locate the Roof trims (**No.19 & 20**) to the top of the building and secure with 6x30mm screws as shown.

6x30mm Screws



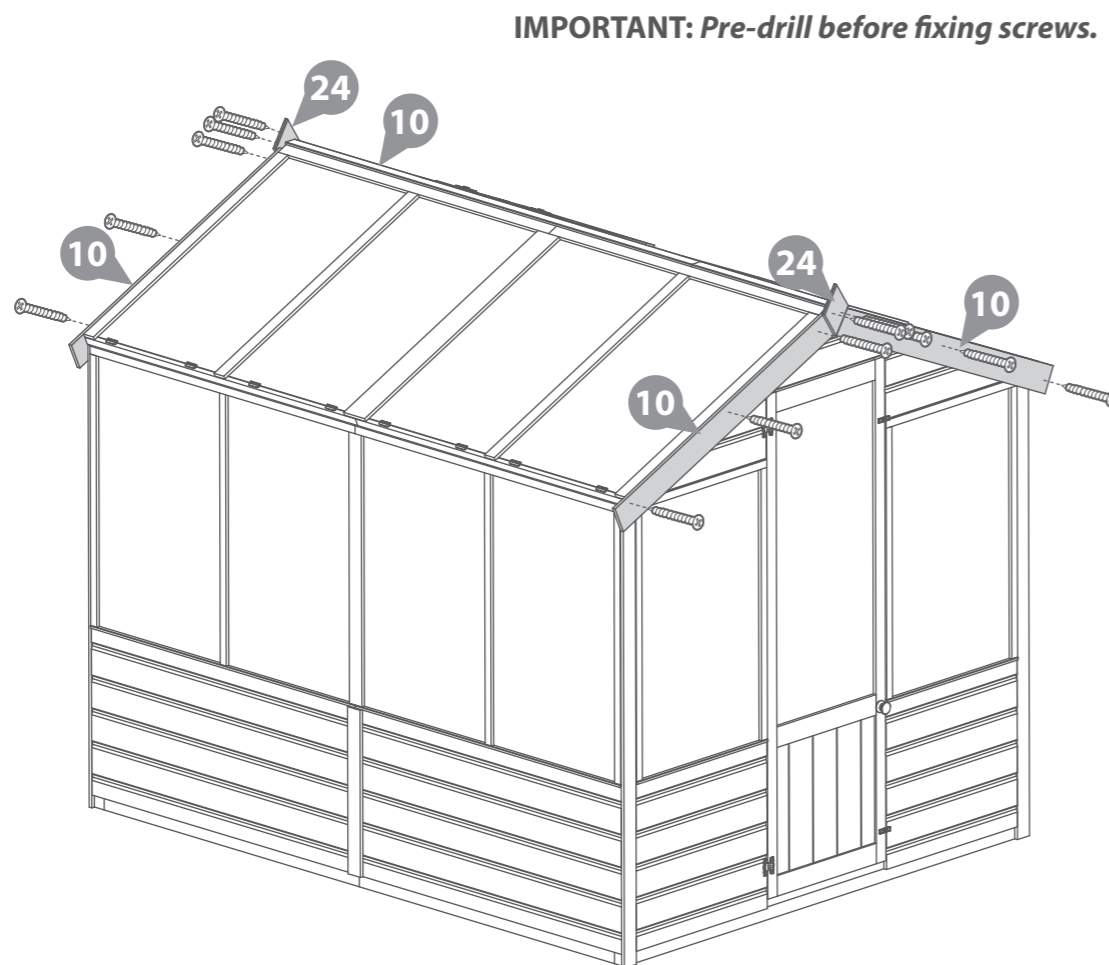
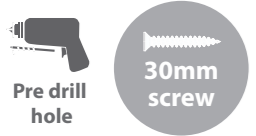
IMPORTANT: Pre-drill before fixing screws.

Step 26
Parts needed - No. 10 QTY 4
No. 24 QTY 2

Locate Fascias (**No. 10**) to the front and back of the building as shown. Secure in place using 3x30mm screws per Fascia.

Locate the finials (**No. 24**) on top of the Fascias (**No. 10**) and fix in place using 1x30mm screws per Finial.

14x30mm Screws

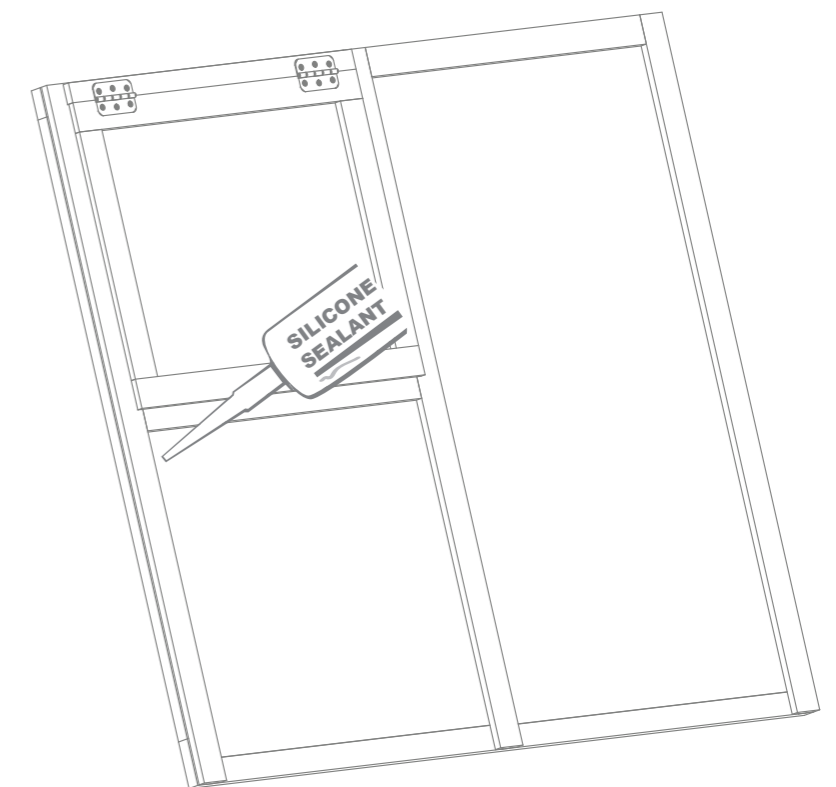


IMPORTANT: Pre-drill before fixing screws.

Step 28

It is **ESSENTIAL** to seal around all window framing with silicone sealant (**not included**) to minimize water ingress.

**Please note: This image is for illustrative purpose and may differ from your product (in regards to the number of windows) however the principle is the same.*

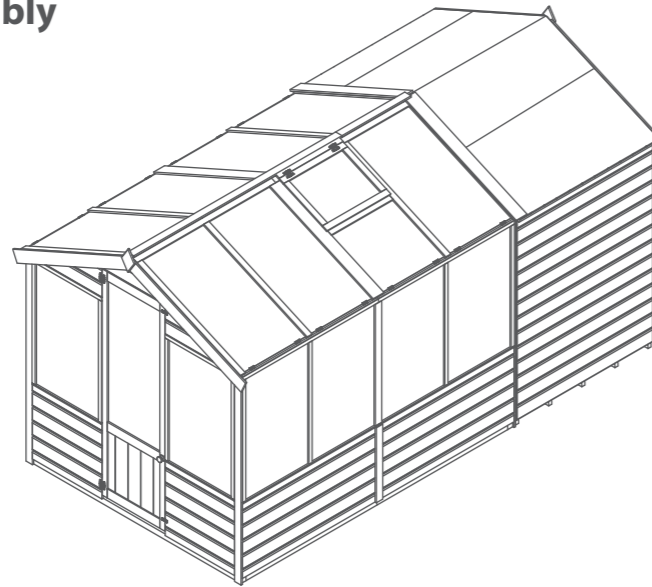


Greenhouse and apex shed assembly

(04DTSTRDAX0806HGS-V1 + 01DTSHAX0406SDFW-V1)

Overall Dimensions: Width = 2042mm
Depth = 3665mm
Height = 2039mm

Base Dimensions: Width: 1860mm
Depth: 3590mm



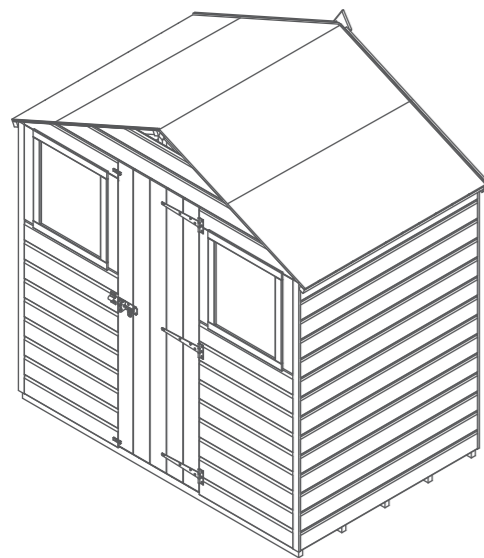
**Please note:

This product can be installed with the shed door either inside the building (*internal*) or outside (*external*). Before beginning assembling, decide which configuration best suits your needs and read through both sets of instructions carefully.

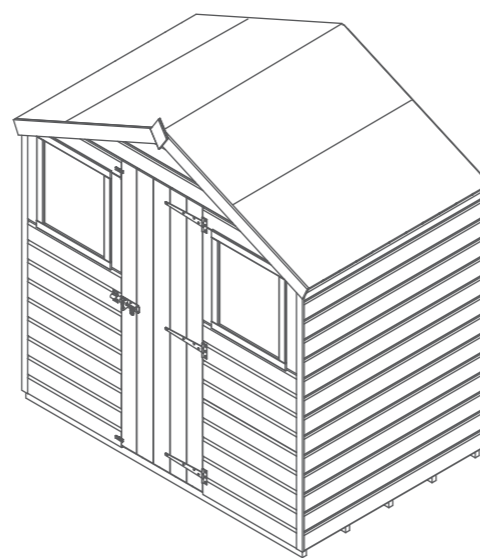
Pre-assembly.

Follow the instructions for the 4x6 apex shed **01DTSHAX0406SDFW-V1** to fully construct the building.

DO NOT fix the fascias and finial on either the front or back of the building, depending where you want to construct your greenhouse (shed door internally or externally).



Greenhouse to be built on the front
(internal shed door).



Greenhouse to be built on the back
(external shed door).

Please note: Not all components from the greenhouse contents will be used to construct the greenhouse along side the shed and therefore will be left over once the build is complete. Please dispose of these responsibly.

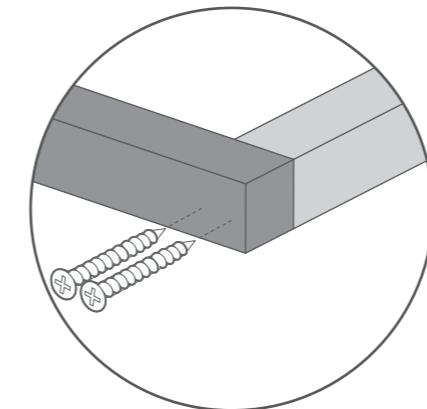
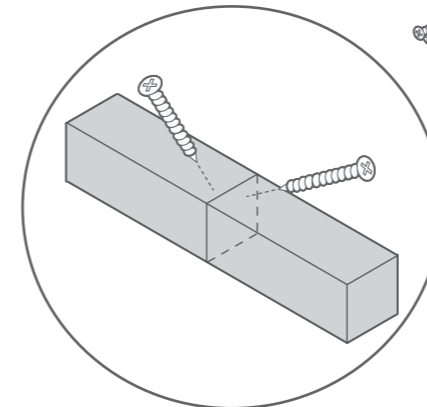
Step 1a

Parts needed - No. 11 QTY 2
No. 12 QTY 4

Lay the Base Frames (No.11 & 12) down on a flat and level base. Ensure the framing is flush and level and that Base Frame B, sits on the inside of Base frame A, as shown.

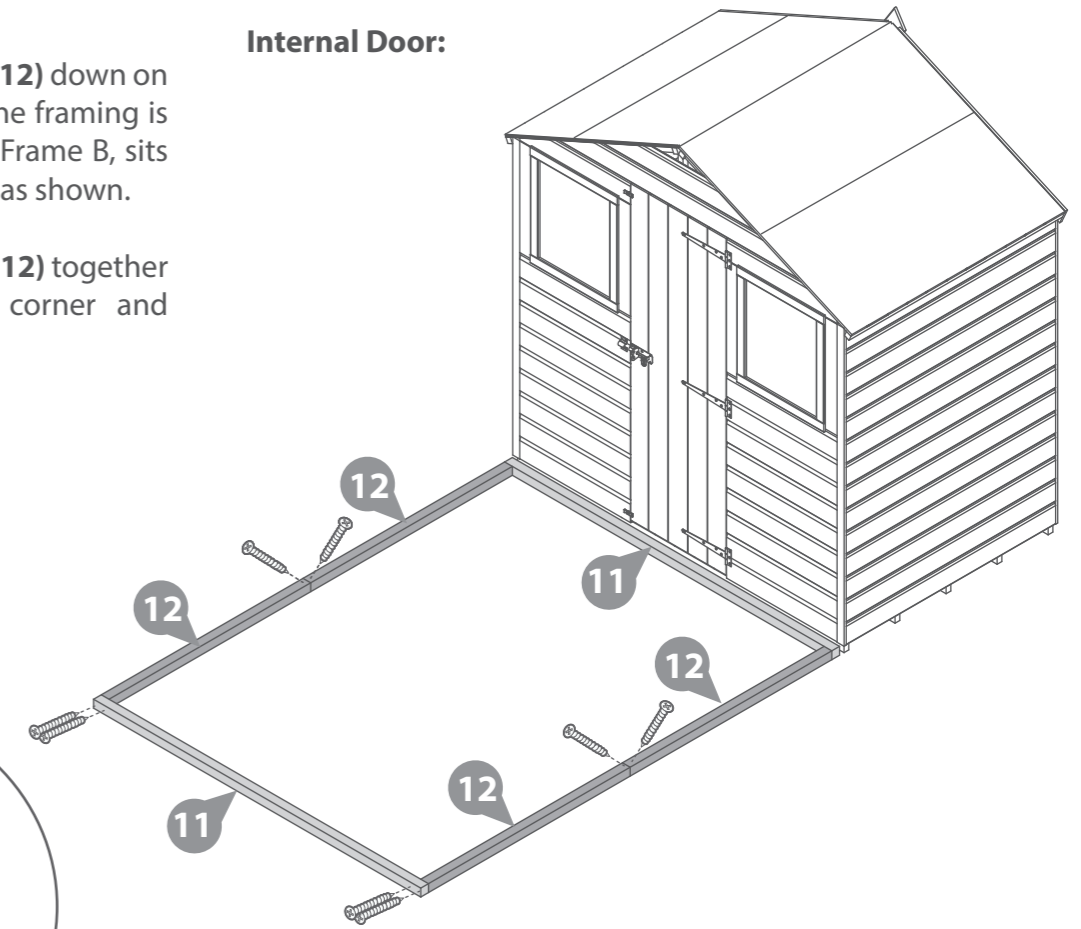
Fix the base framing (No.11 & 12) together using 2x70mm screws per corner and 2x70mm screws per join.

12x70mm screws.

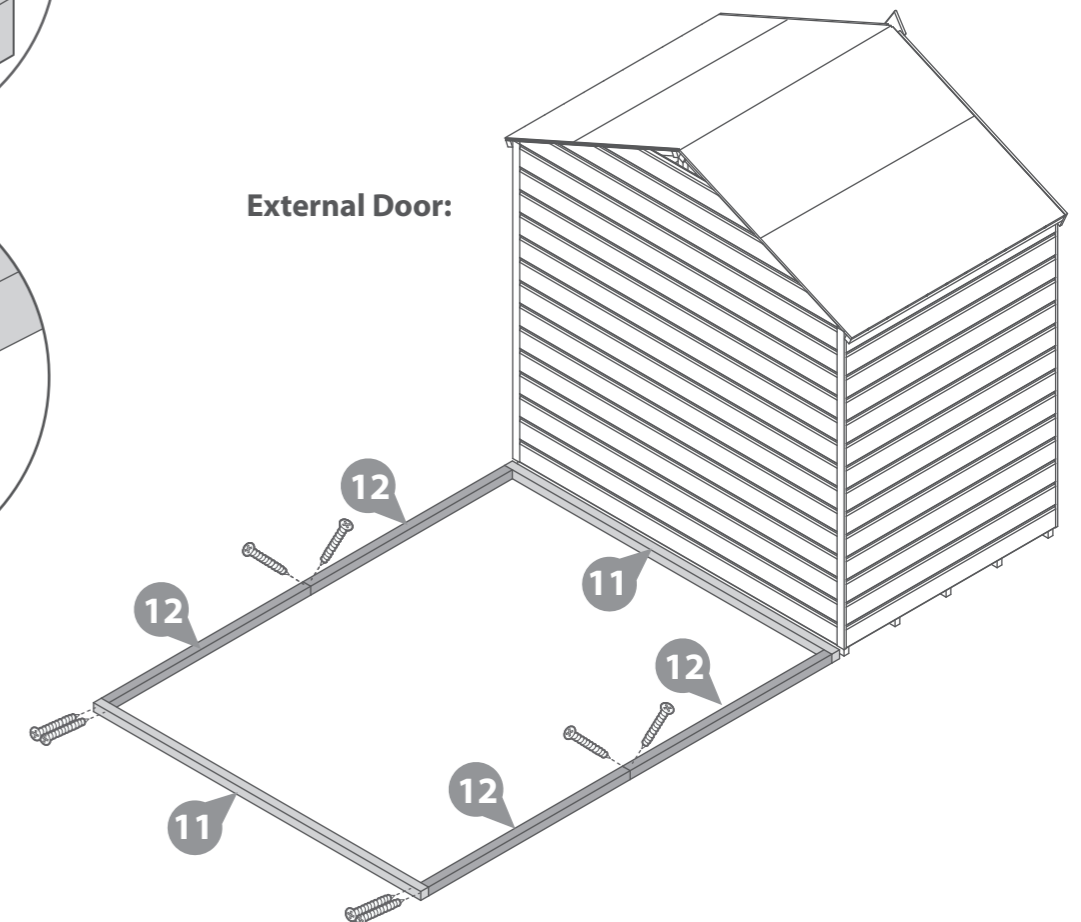


IMPORTANT: Pre-drill before fixing screws.

Internal Door:



External Door:

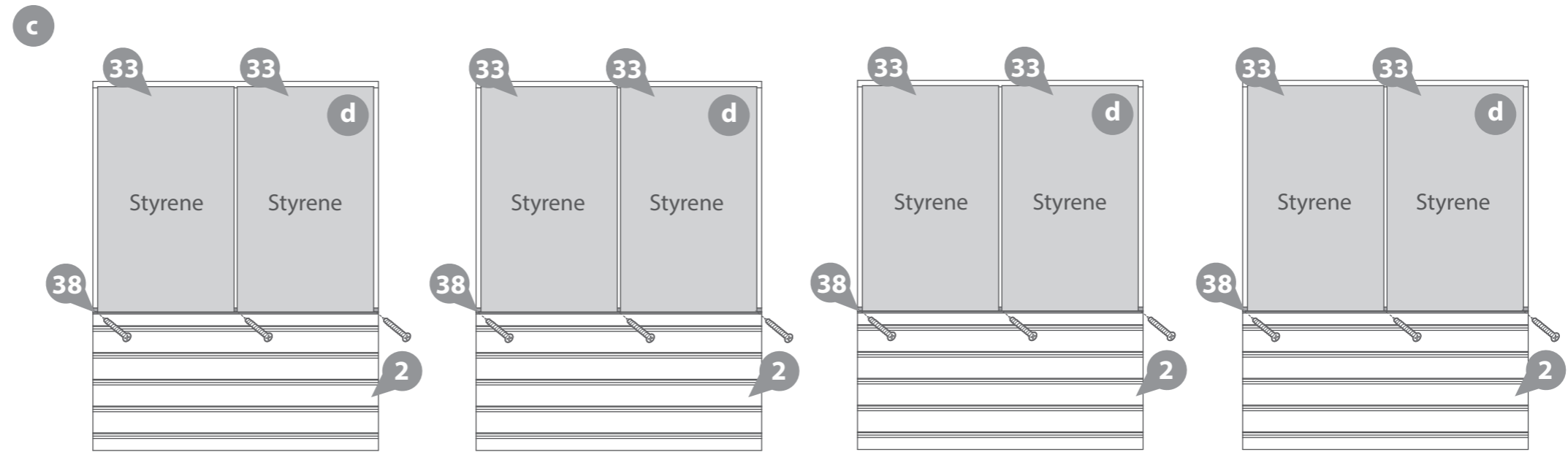
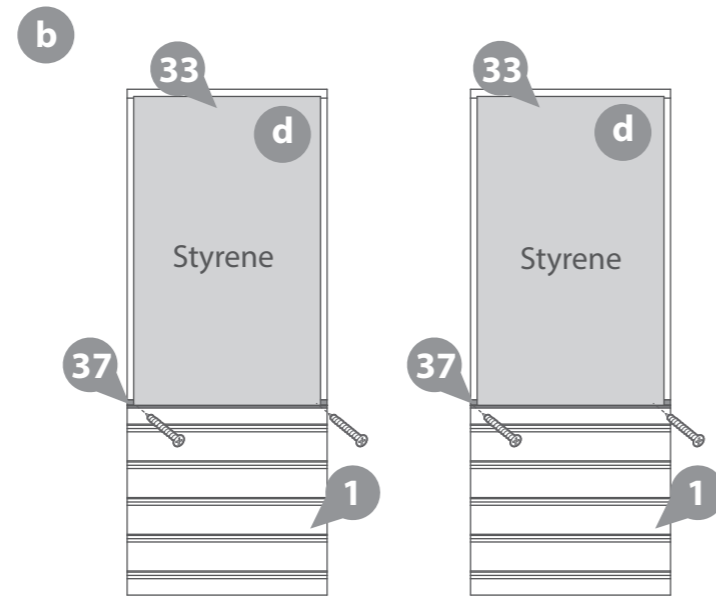


IMPORTANT: Pre-drill before fixing screws.

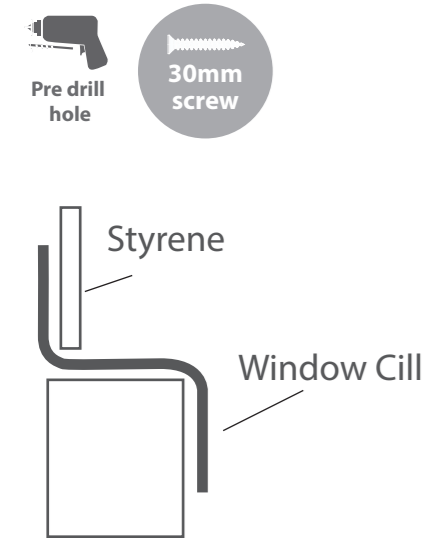
Step 2a

Parts needed - No. 1 QTY 2 No. 37 QTY 2
 No. 2 QTY 4 No. 38 QTY 4
 No. 33 QTY 10

- a** Lay the Door Sides (**No.1**), Small Window Sides (**No.2**) and Large Window Side (**No.3**) down on a flat and level base.
- b** Place the Window Cills 610mm (**No.37**) onto the lip of the external window opening of the Door sides (**No.1**). Secure the Cill to the framing using 3x30mm screws.
- c** Place the Window Cills 1193mm (**No.38**) onto the lip of the external window opening of the Small Window Sides (**No.1**). Secure the Cill to the framing using 3x30mm screws.
- d** Place the styrene (**No.33**) on top of the cills, ensuring there is equal spacing on all sides, as shown.



16x30mm screws.



IMPORTANT: Pre-drill before fixing screws.

Step 3a

Parts needed - No. 27 QTY 12
No. 29 QTY 4
No. 30 QTY 2

a On the Door sides (**No.1**) locate Window strips (**No.27**) onto either side of the panel and the Window Strips (**No.30**) along the top of the panel, ensuring to trap the styrene. Fix in place using 3x30mm screw per strip.

b On the Small Window Side (**No.2**) locate Window strips (**No.27**) onto one side of the panel and where the styrene joins and the Window Strip (**No.29**) along the top of the panel, ensuring to trap the styrene.

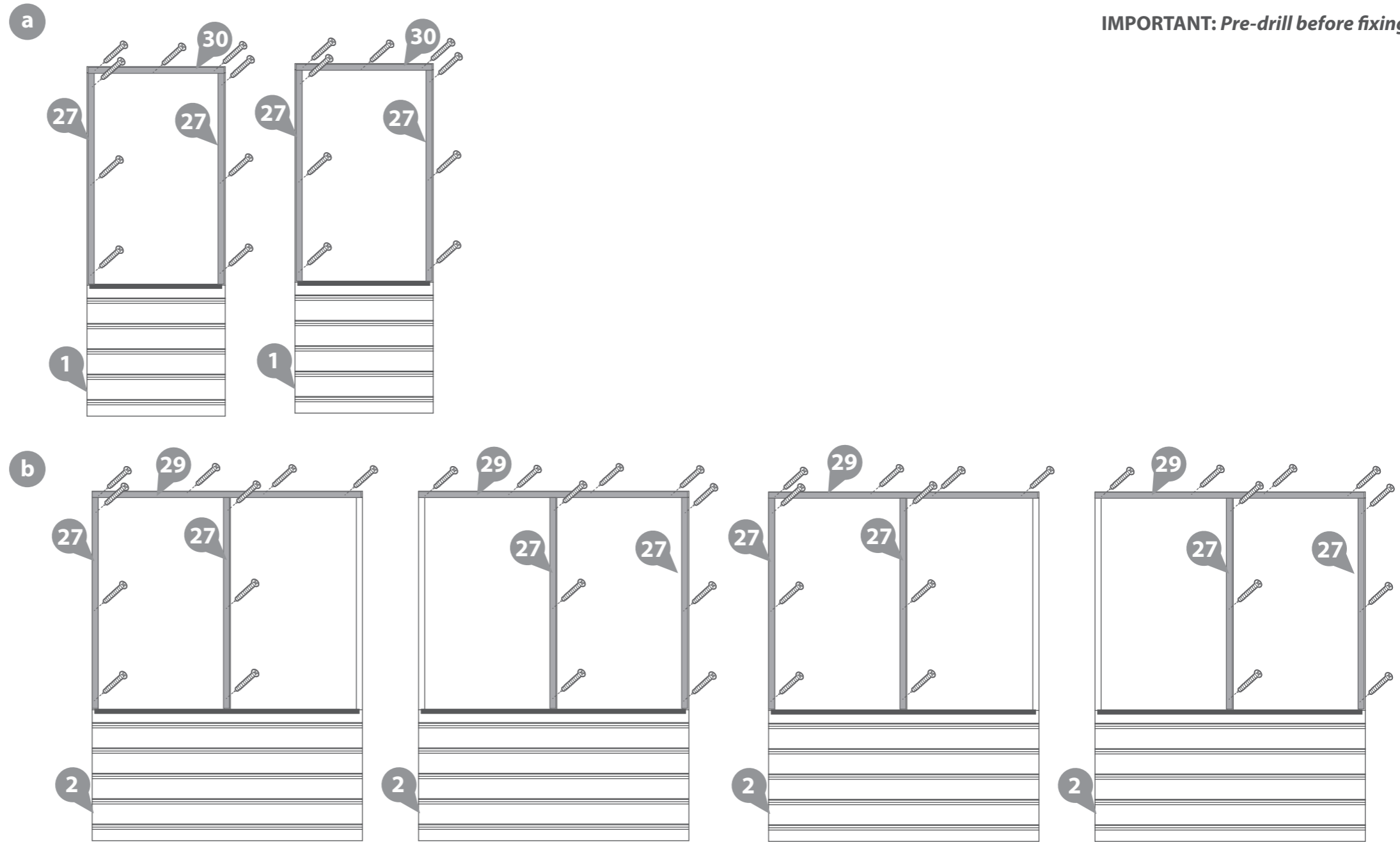
Note: Working in pairs of panels, ensure to leave one side without a strip, as shown. This will be covered once the panels have been fixed together.

Fix in place using 3x30mm screw per side strip and 4x30mm screws for the top strip.

c On the Large Window Side (**No.3**) locate Window strips (**No.27**) onto either side of the panel and where the styrene joins and the Window Strip (**No.28**) along the top of the panel, ensuring to trap the styrene. Fix in place using 3x30mm screw per side strip and 5x30mm screws for the top strip.

Note: Ensure the framing does not protrude the width of the window frame.

58x30mm screws.



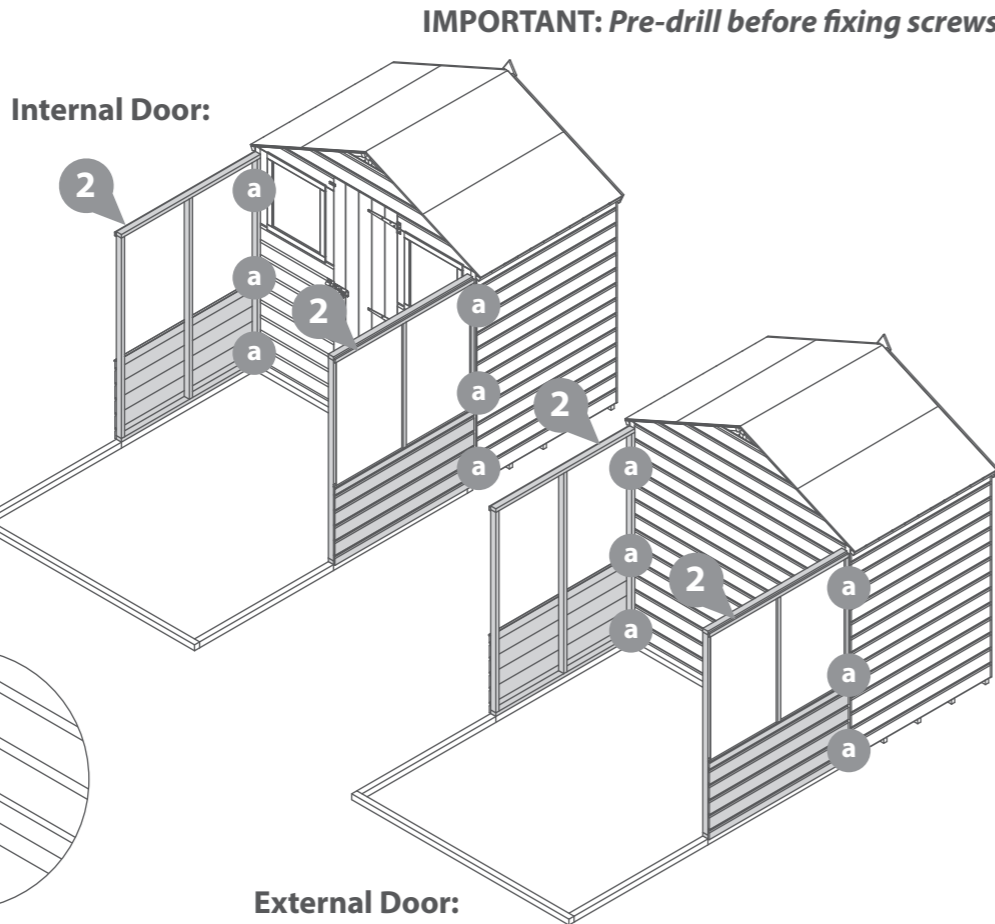
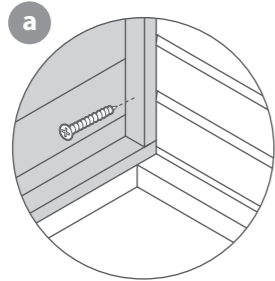
Step 4a
Parts needed - No. 2 QTY 2

Locate two Small Window Sides (No.2) on top of the base frame and flush to the shed, ensure there is equal spacing between the panels and the base frame on each side.

Secure the panels to the shed by screwing through the corners using 3x50mm screws.

DO NOT fix the panels to the base frame until the roof has been fitted.

6x50mm screws.



IMPORTANT: Pre-drill before fixing screws. Step 6a

Parts needed - No. 1 QTY 2

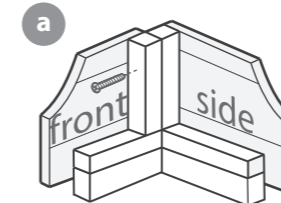
Locate two Door Sides (No.1) on top of the base frame and flush to the Small Window sides.

Please note: the Door sides will sit inside the Window Sides.

Secure the panels to the Window Sides by screwing through the framing at the corners using 3x50mm screws per side.

DO NOT fix the panels to the base frame until the roof has been fitted.

6x50mm screws.



IMPORTANT: Pre-drill before fixing screws. Step 6a

Parts needed - No. 1 QTY 2

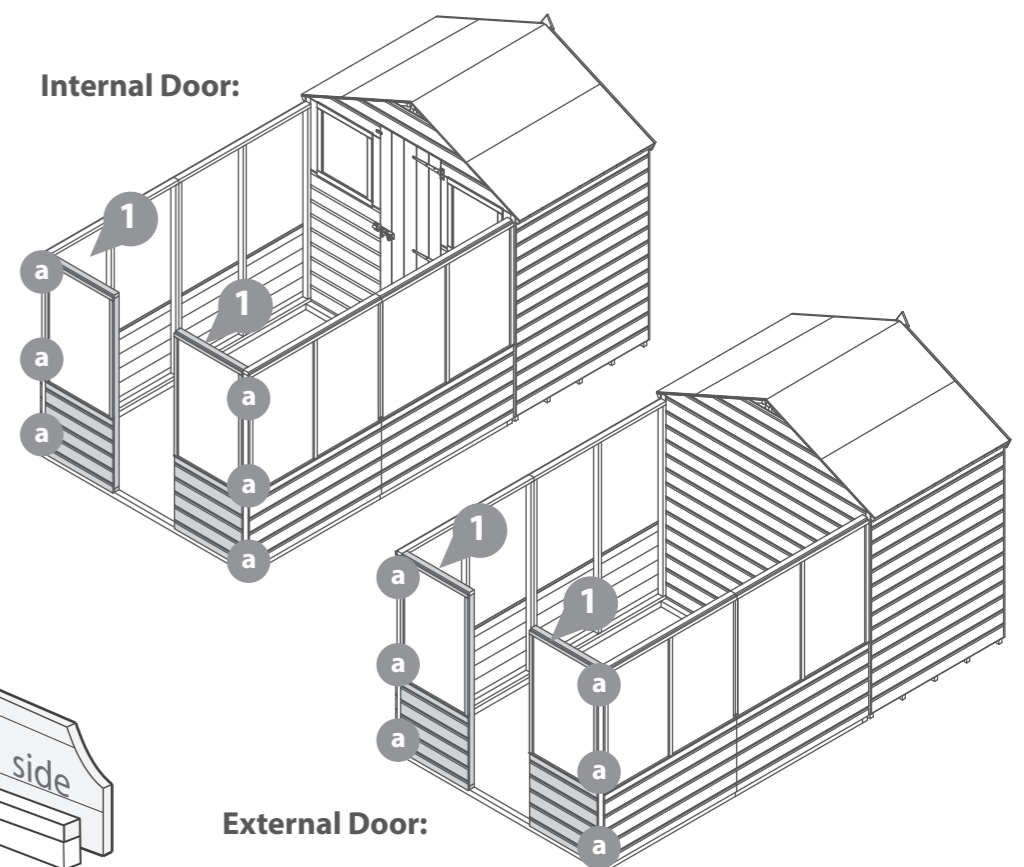
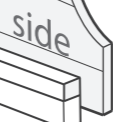
Locate two Door Sides (No.1) on top of the base frame and flush to the Small Window sides.

Please note: the Door sides will sit inside the Window Sides.

Secure the panels to the Window Sides by screwing through the framing at the corners using 3x50mm screws per side.

DO NOT fix the panels to the base frame until the roof has been fitted.

6x50mm screws.



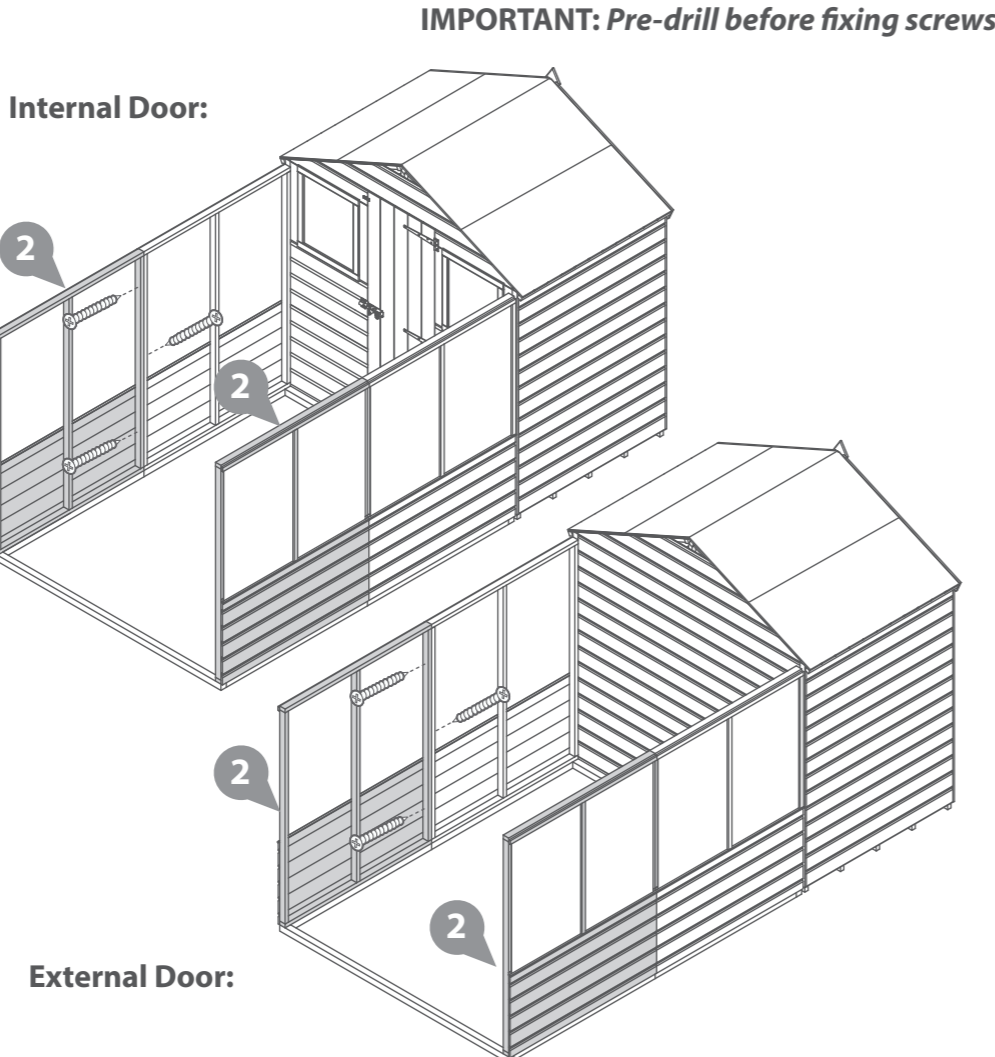
Step 5a
Parts needed - No. 2 QTY 2

Locate two Small Window Sides (No.2) on top of the base frame and flush to the previously placed Small Window Sides, ensure there is equal spacing between the panels and the base frame on each side.

Secure the panels to the adjacent panel using 3x50mm screws per side.

DO NOT fix the panels to the base frame until the roof has been fitted.

6x50mm screws.



IMPORTANT: Pre-drill before fixing screws. Step 7a

Parts needed - No. 16 QTY 1

Locate the Door Frame (No.16) onto the base framing between the Door Sides (No.1).

Fix in place using 3x40mm screws.

This allows the Door Sides to be correctly spaced.

3x40mm screws.



IMPORTANT: Pre-drill before fixing screws. Step 7a

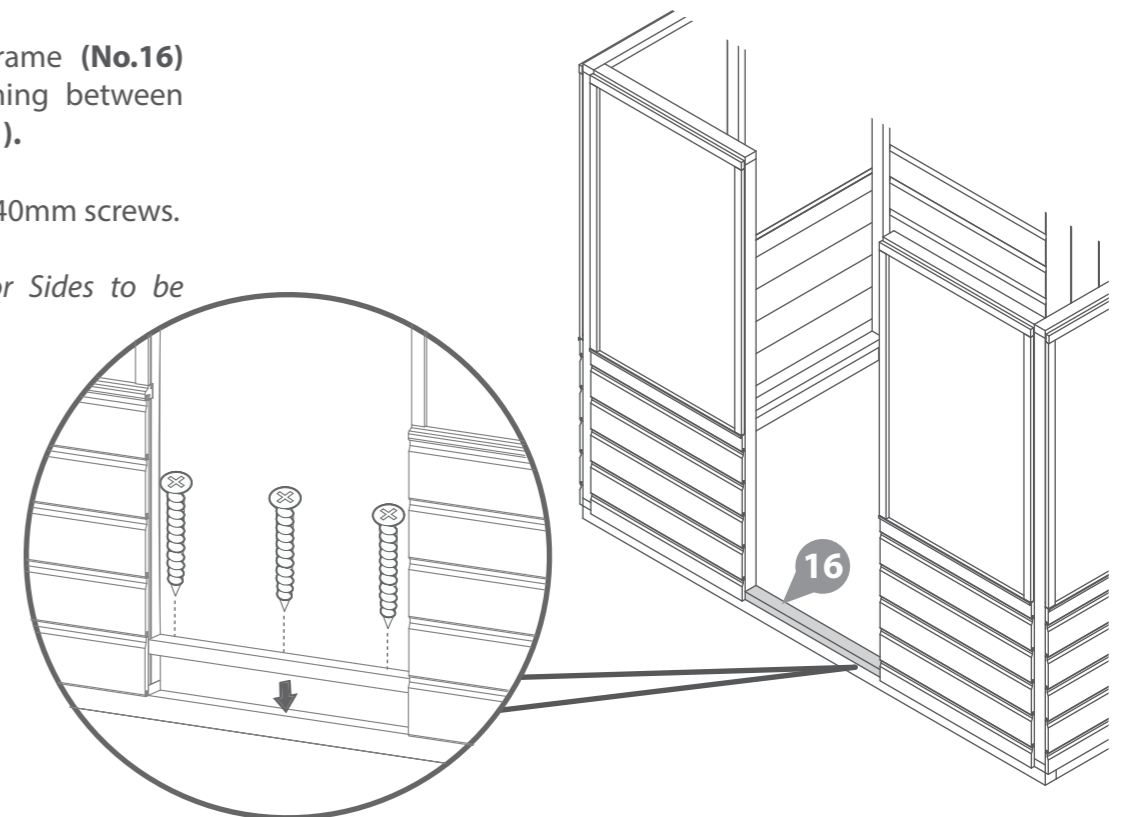
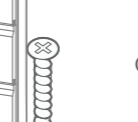
Parts needed - No. 16 QTY 1

Locate the Door Frame (No.16) onto the base framing between the Door Sides (No.1).

Fix in place using 3x40mm screws.

This allows the Door Sides to be correctly spaced.

3x40mm screws.

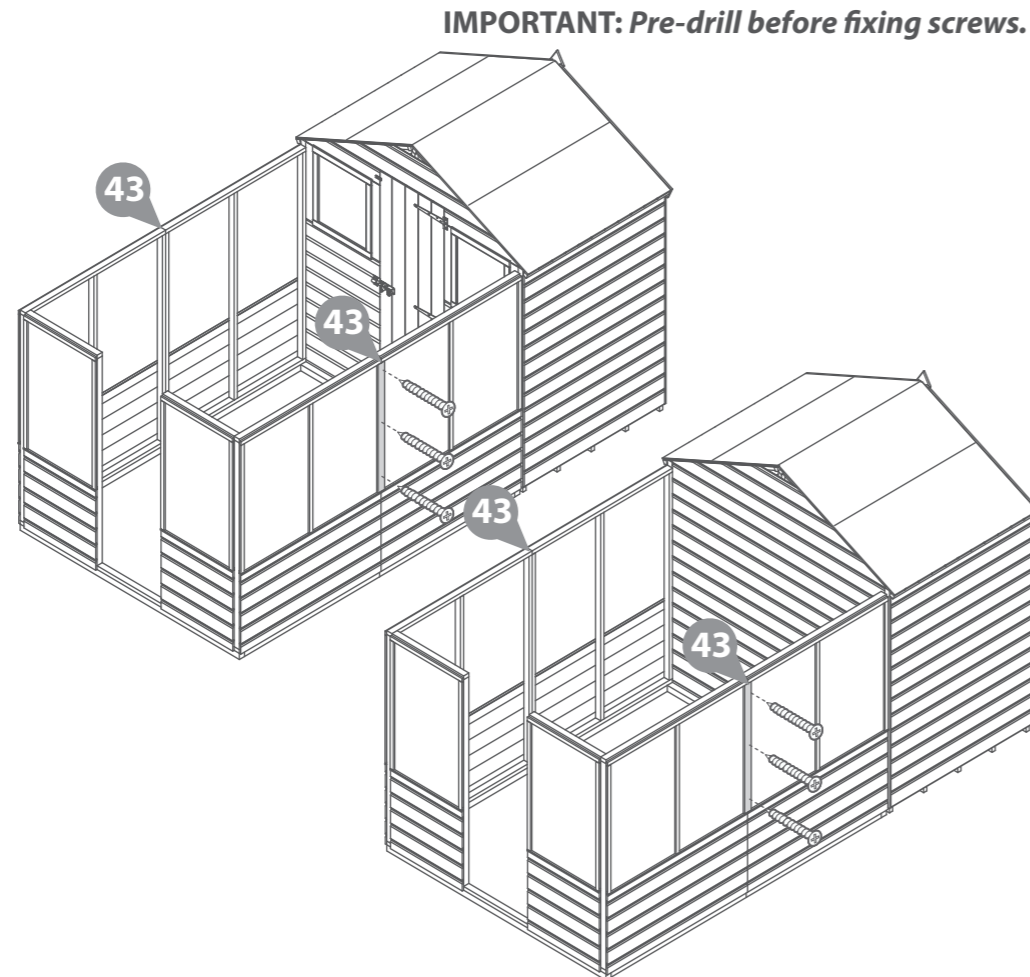


Step 8a
Parts needed - No. 43 QTY 2

Locate a Strip (No.43) over the joining of the Small Window Panels (No.2) on either side.

Fix in place using 4x30mm screws per strip.

8x40mm screws.

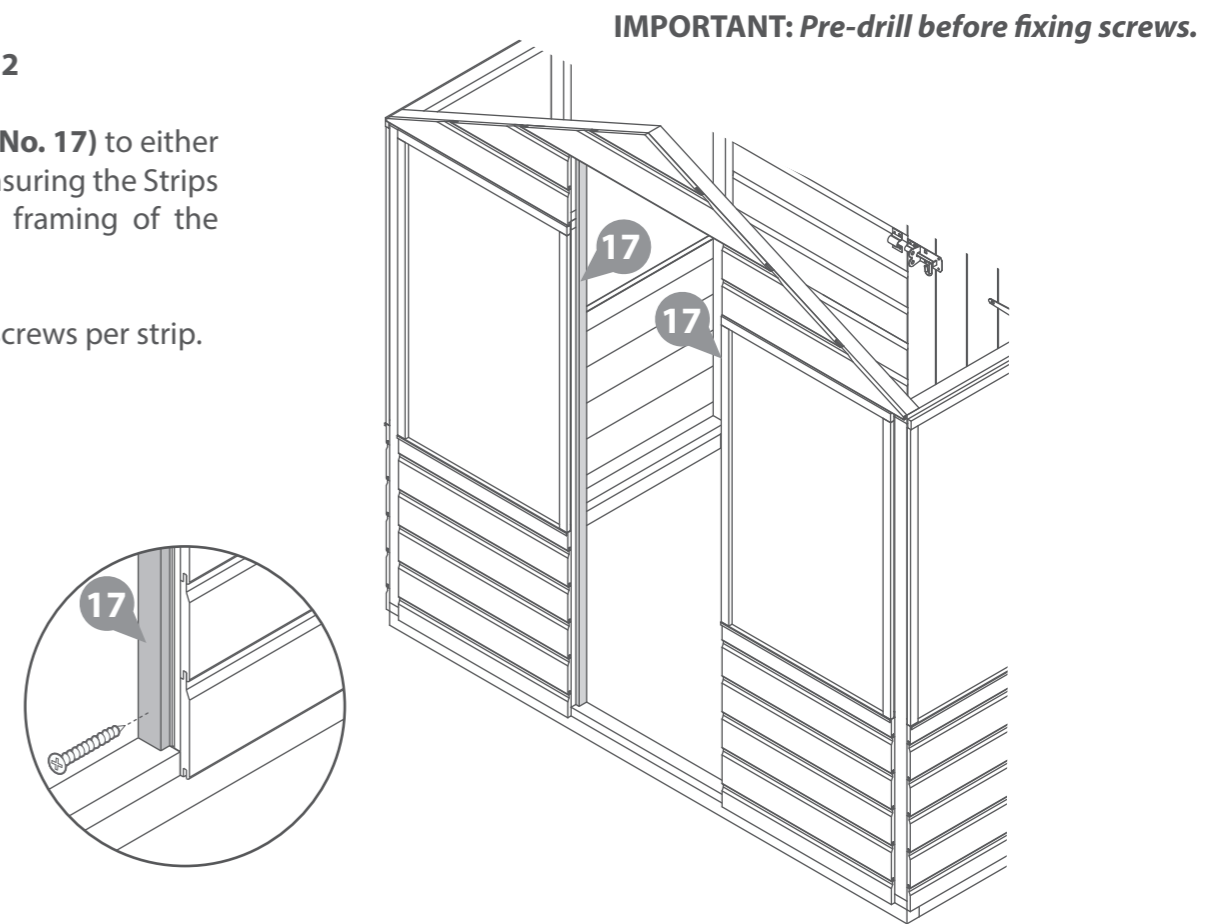
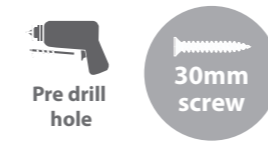


Step 10a
Parts needed - No. 17 QTY 2

Locate the two Door strips (No. 17) to either side of the door opening, ensuring the Strips are flush with the internal framing of the panel, as shown.

Fix in place using 3x30mm screws per strip.

6x30mm Screws.

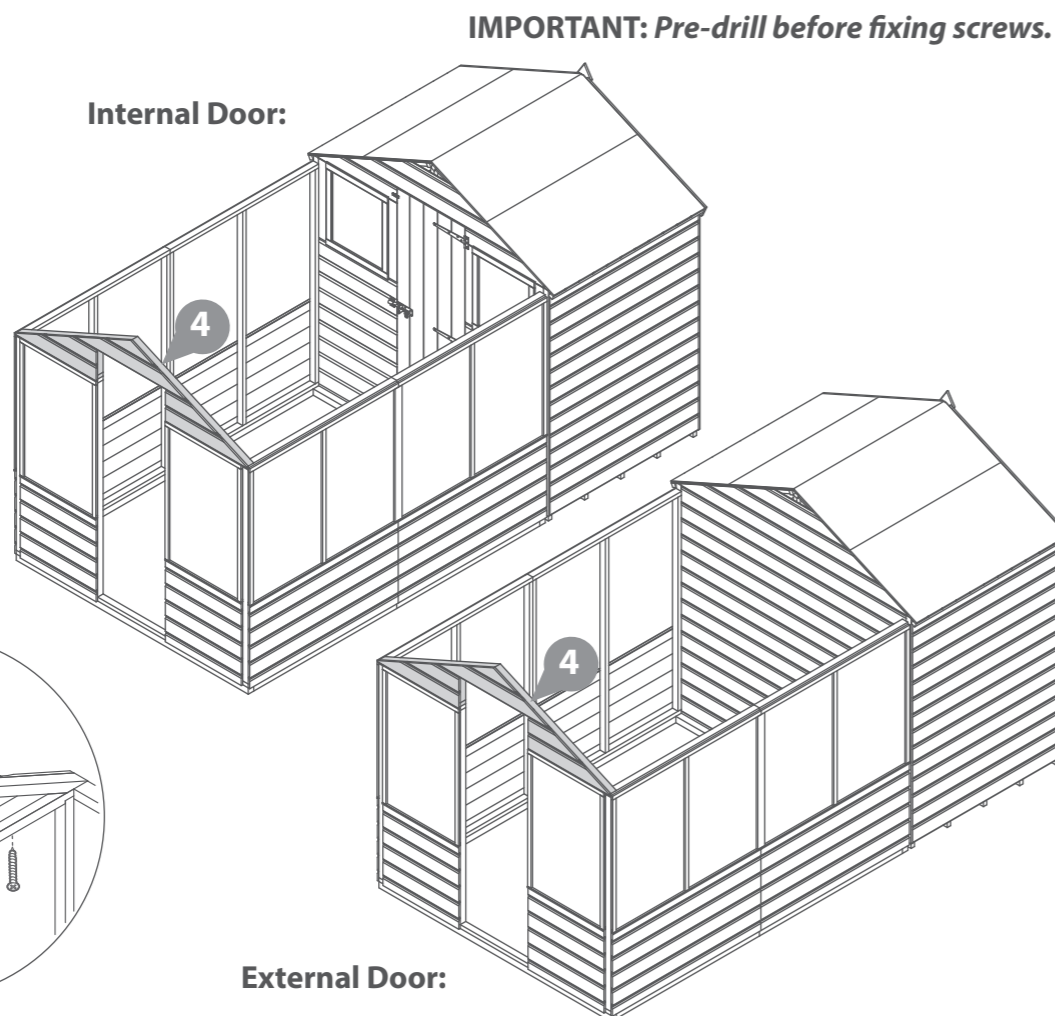


Step 9a
Parts needed - No. 4 QTY 1

Locate the Door Gable top (No.4) on top of the Door Sides, as shown.

Secure the gable in place using 4x50mm screws, screwing through the panel framing into the gable framing above.

4x50mm screws.

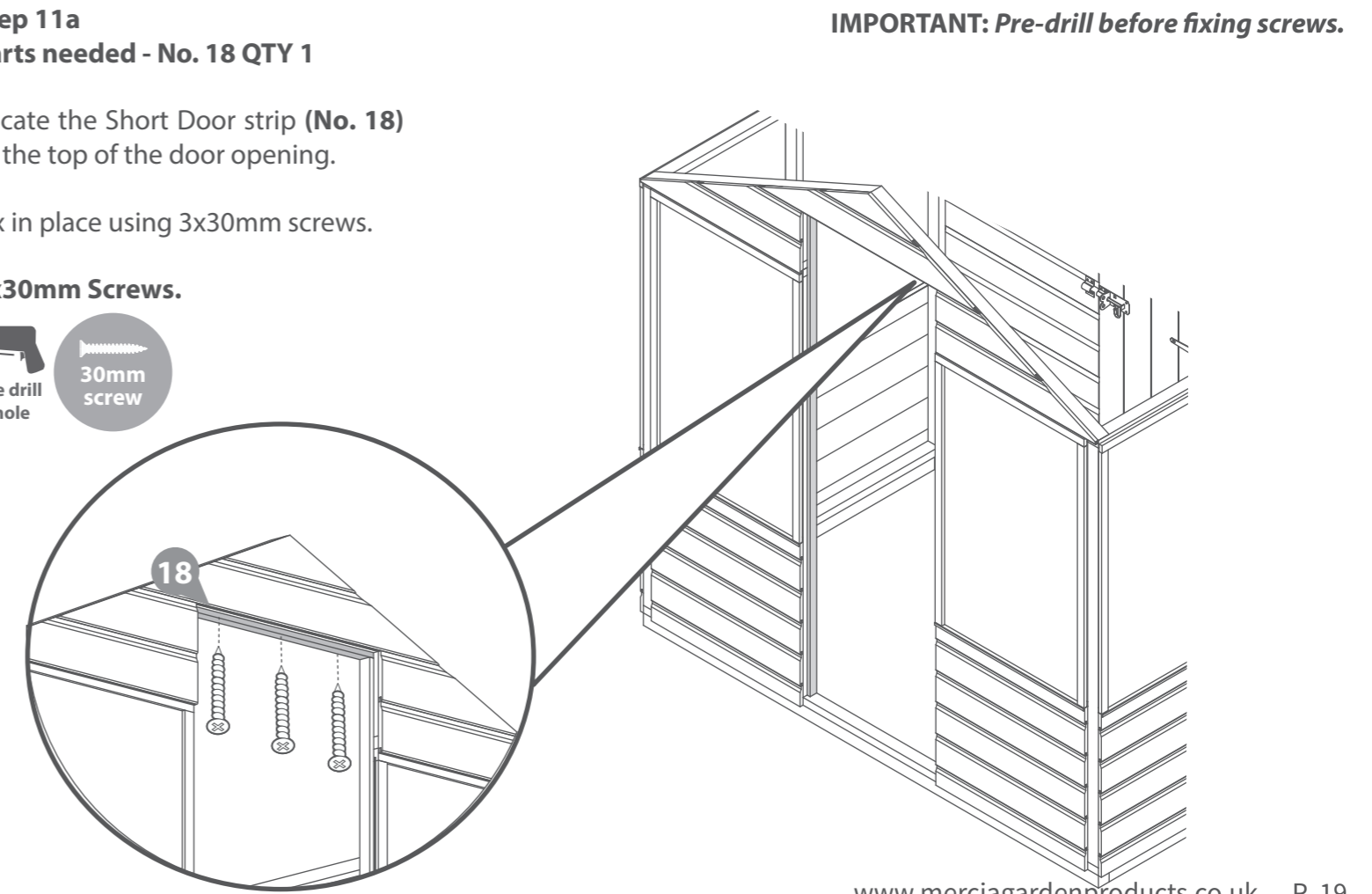
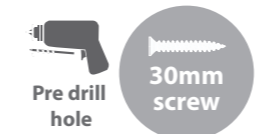


Step 11a
Parts needed - No. 18 QTY 1

Locate the Short Door strip (No. 18) to the top of the door opening.

Fix in place using 3x30mm screws.

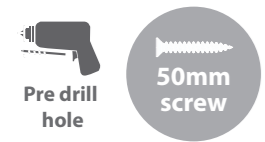
3x30mm Screws.



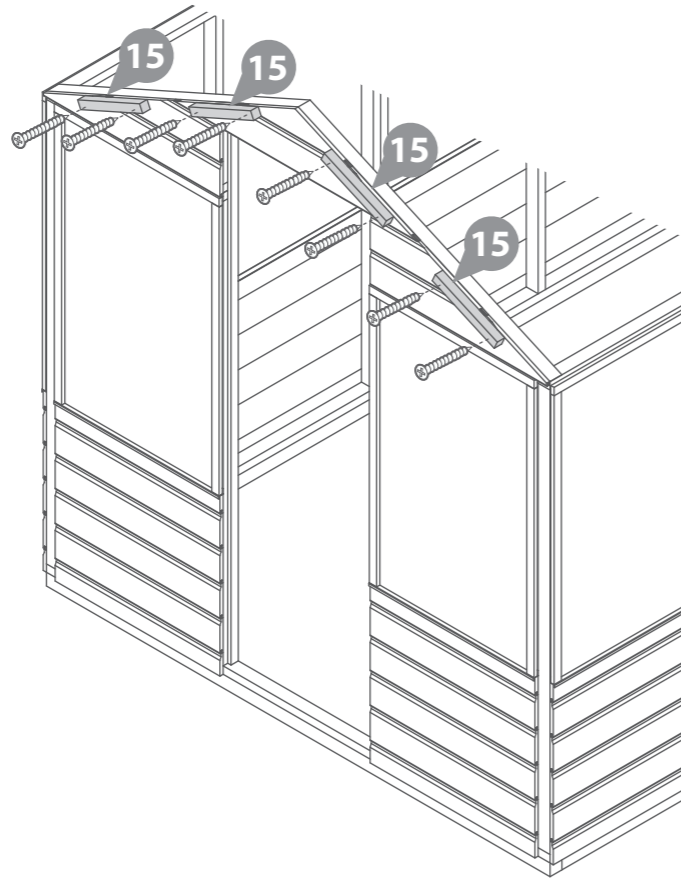
Step 12a
Parts needed - No. 15 QTY 4

Align the Fascia Blocks (No. 15) to the top edge of the Door Gable Top and fix in place using 2x50mm screws per block.

8x50mm Screws.



IMPORTANT: Pre-drill before fixing screws.



Step 14a
Parts needed - No. 31 QTY 1
No. 32 QTY 2
No. 36 QTY 1

Locate the strips (No 31, 32, & 36) onto the top of the Roof panel, ensure to trap the styrene and that the framing is flush to the edge of the panel and each strip, as shown.

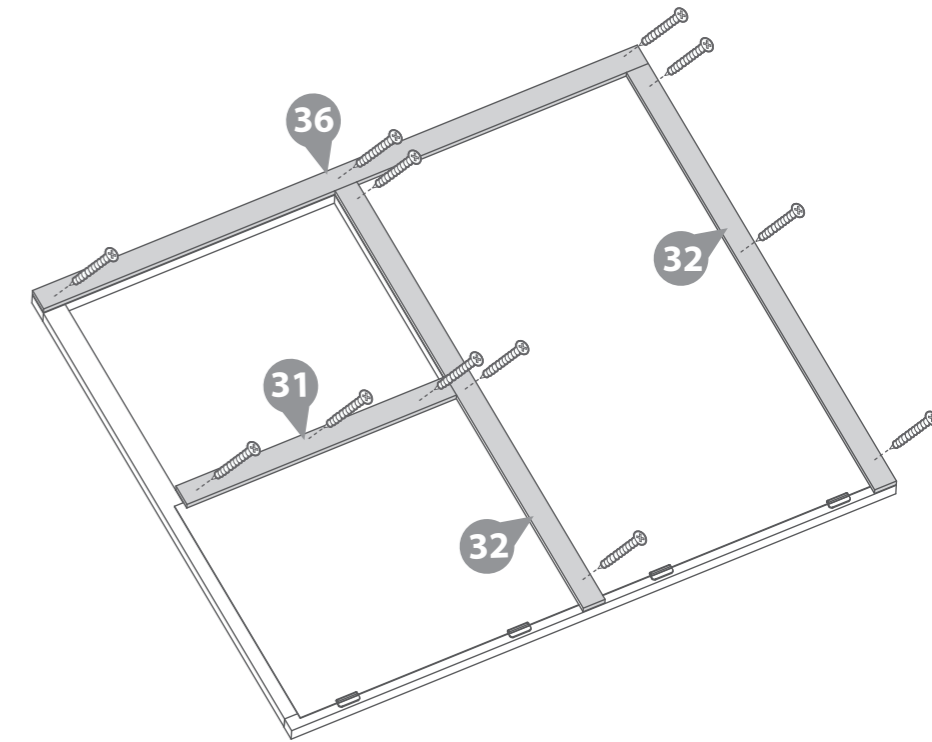
Ensure to leave one side of the panel free from any strips, as this will be covered once attached to the other Roof panel.

Fix the strips in place using 3x30mm screws per strip. Ensure you screw to the side of the styrene not through it.

12x30mm Screws.



IMPORTANT: Pre-drill before fixing screws.

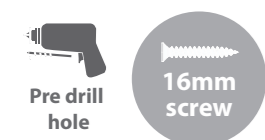


Step 13a
Parts needed - No. 6 QTY 1
No. 23 QTY 4
No. 34 QTY 1
No. 35 QTY 1

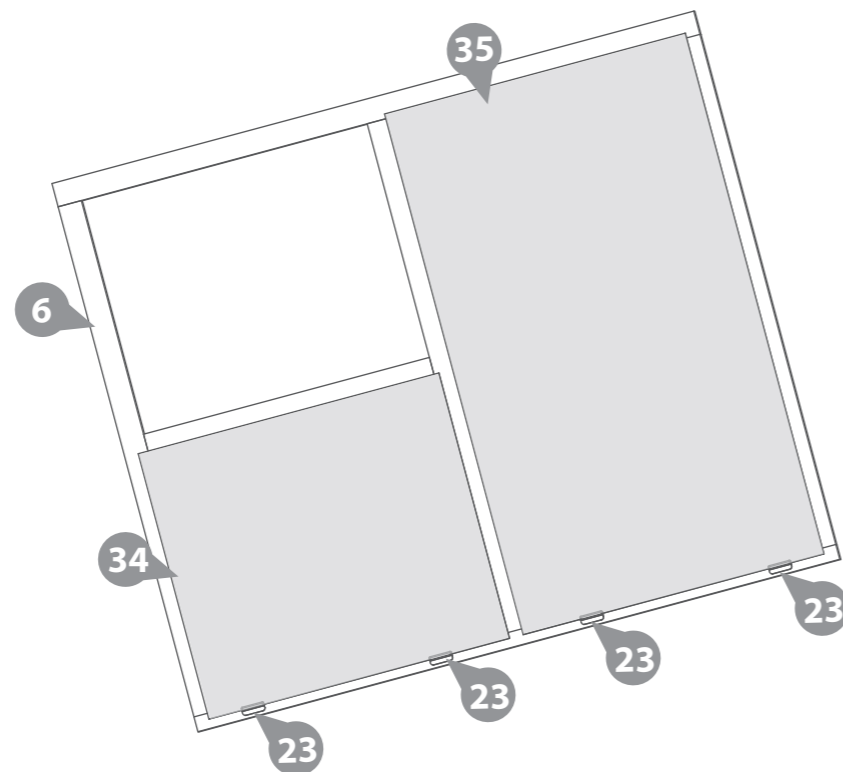
Lay the roof panel (No. 6) down ensuring the thinner edge of the frame is at the bottom. Place the styrene sheets (No. 34 & 35) in position as shown.

Fix in place using two Window Glazing beads (No. 23) per Styrene sheet. Screw down through the bead into the framing below using 2x16mm screws per bead.

8x16mm Screws.



IMPORTANT: Pre-drill before fixing screws.



Step 15a

Parts needed - No. 9 QTY 1
 No. 21 QTY 2
 No. 40 QTY 1

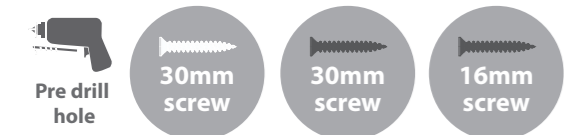
Locate the Opening Window (No.9) into the Window aperture, ensuring equal spacing on all sides.

Locate the strip (No.40) onto the window panel above the Window (No.9) and fix in place with 4x30mm screws.

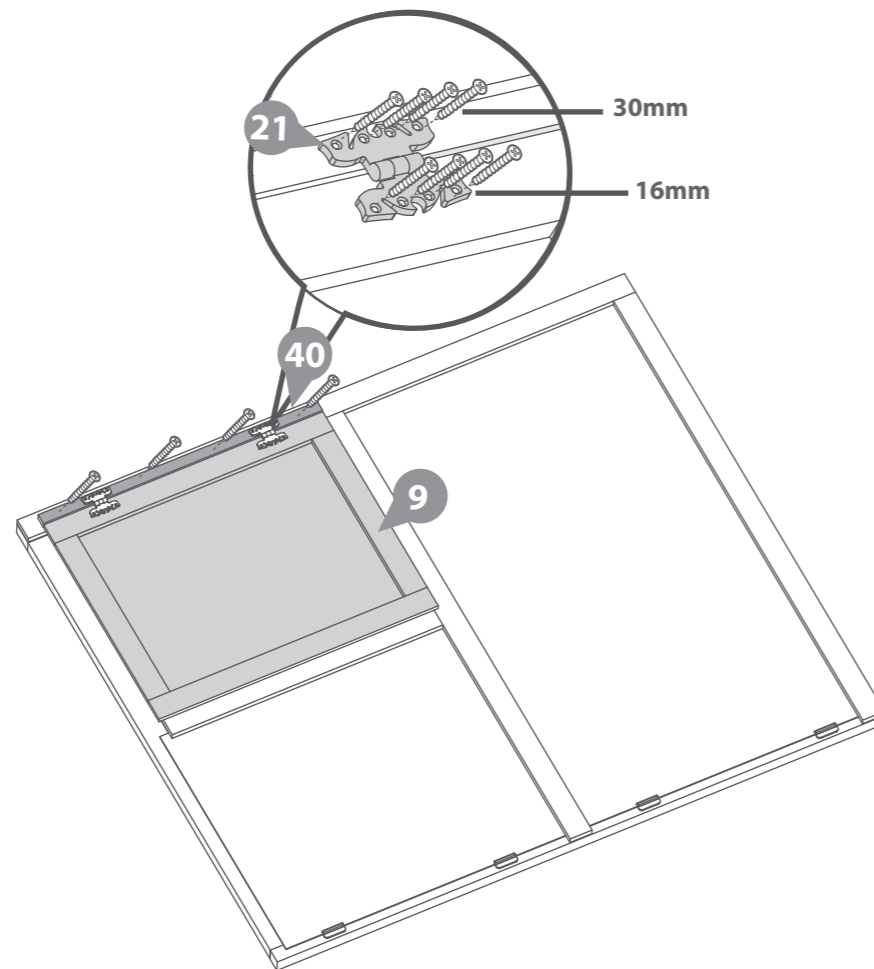
Locate the Hinges (No.21) onto the Strip (No.40) and Window (No.9), as shown.

Secure in place using 4x16mm screw per hinge for the part of the hinge that is on the window and 4x30mm black screws per hinge for the hinge that is on the strip, as shown.

4x30mm Screws.
 8x30mm Black Screws.
 8x16mm Black Screws.



IMPORTANT: Pre-drill before fixing screws.



Step 16a

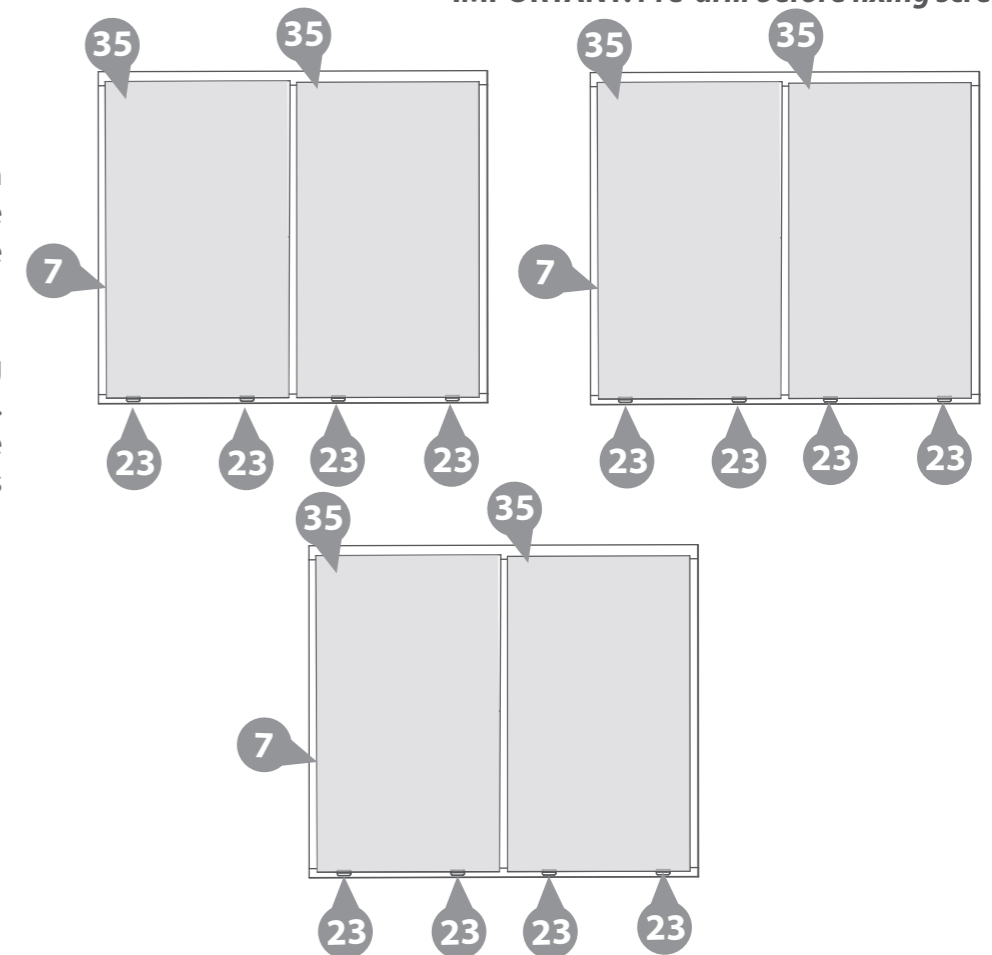
Parts needed - No. 7 QTY 3
 No. 23 QTY 12
 No. 35 QTY 6

Lay the Roof Panel (No. 7) down ensuring the thinner edge of the frame is at the bottom. Place the styrene sheets (No.35) in position as shown.

Fix in place using two Window Glazing beads (No. 23) per Styrene sheet. Screw down through the bead into the framing below using 2x16mm screws per bead.

Repeat for all three Roof Panels.

24x16mm Screws.



Step 17a

Parts needed - No. 32 QTY 6
 No. 36 QTY 3

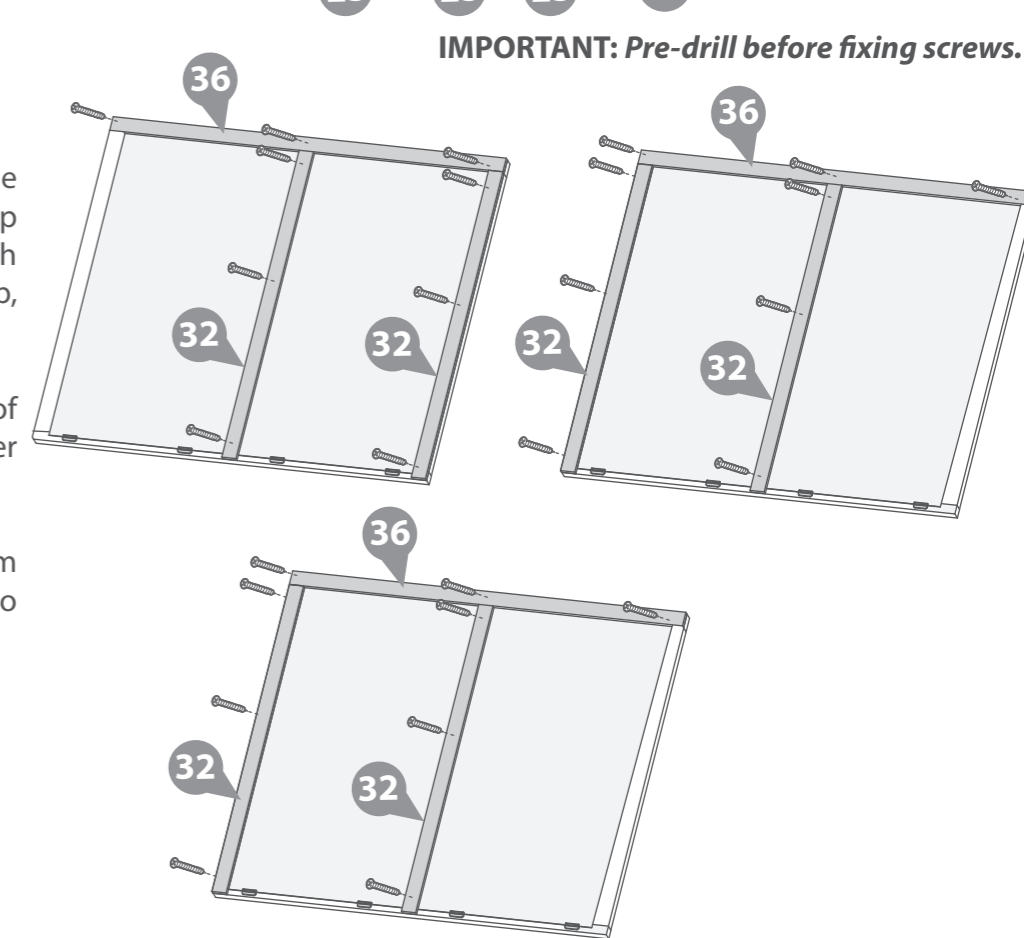
Locate the strips (No 32 & 36) onto the top of the Roof panel, ensure to trap the styrene and that the framing is flush to the edge of the panel and each strip, as shown.

Do not fit strips on the inside of the roof panels which will sit next to another roof panel, see illustration.

Fix the strips in place using 3x30mm screws per strip. Ensure you screw to the side of the styrene not through it.

Repeat for all three Roof Panels.

27x30mm Screws.

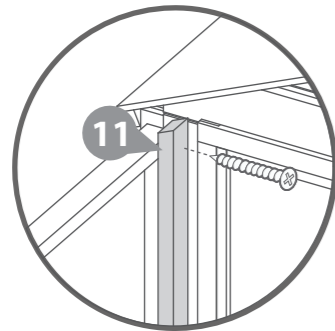


Step 18a
Parts needed - FROM SHED CONTENTS
No. 11 QTY 2

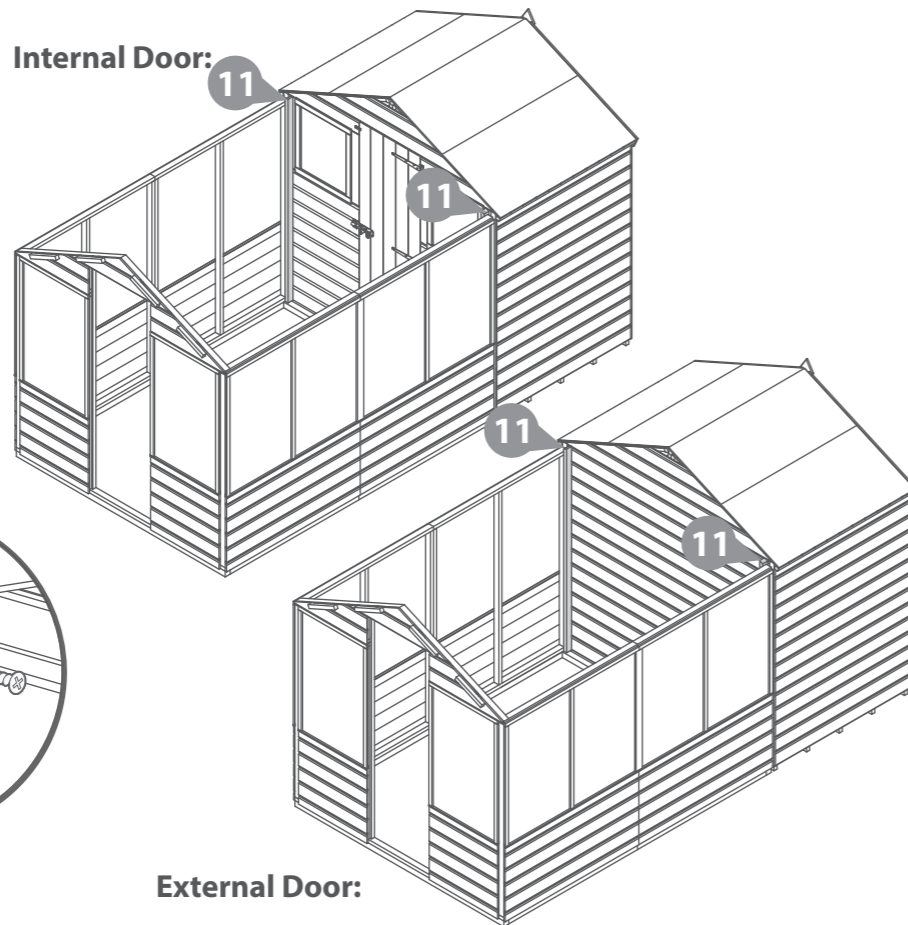
Place the greenhouse roof frames (**No.11**) against each window panel, ensuring the framing is flush to the shed and window frame.

Secure in place using 3x50mm screws per frame, ensuring to screw into each panel.

6x50mm Screws



IMPORTANT: Pre-drill before fixing screws.



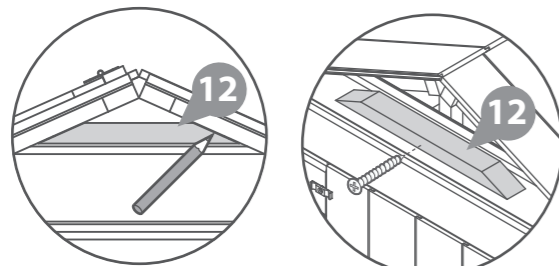
Step 19a
Parts needed - FROM SHED CONTENTS
No. 12 QTY 1

Temporarily position the assembled Roofs Panels (**No. 6 & 7**) onto the building, making sure they are flush to the gables and meet at the top of the Apex.

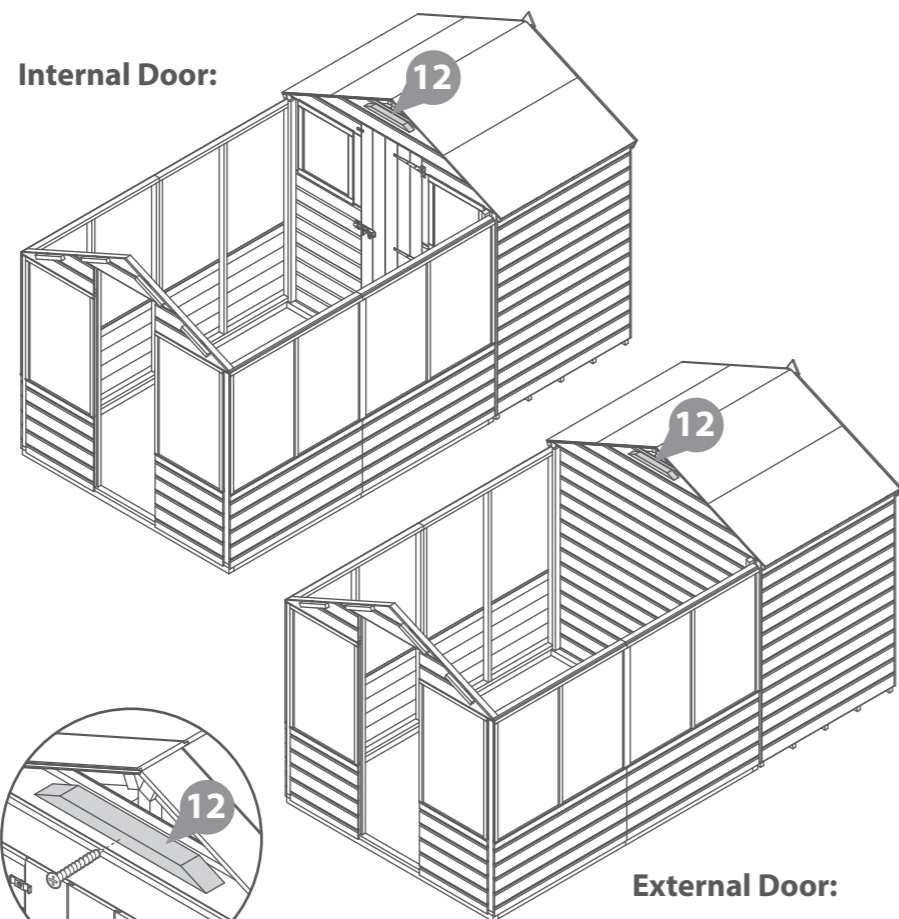
Using the Roof Panels as a guide, mark the position for the roof block at the top of the **shed gable**.

Once marked, remove the Roof Panels and secure the block to the shed gable using 1x70mm screw, making sure to secure through the block into the central upright on the door gable.

1x70mm Screws



IMPORTANT: Pre-drill before fixing screws.



Step 20a
Parts needed - No. 6 QTY 1
No. 7 QTY 3

Place the assembled Roof panels (**No.6&7**) on top of the Door Gable, and the Roof Block, making sure the roofs are flush to each gable and meet at the top of the apex.

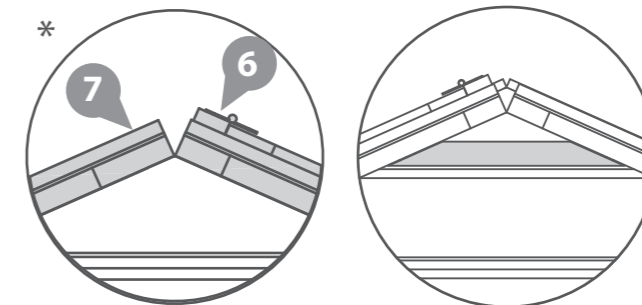
***IMPORTANT: Ensure both roof sections meet at the top of the apex as shown in the illustration.**

Fix the roof panels together from the inside of the greenhouse in the middle using 4x70mm screws per side.

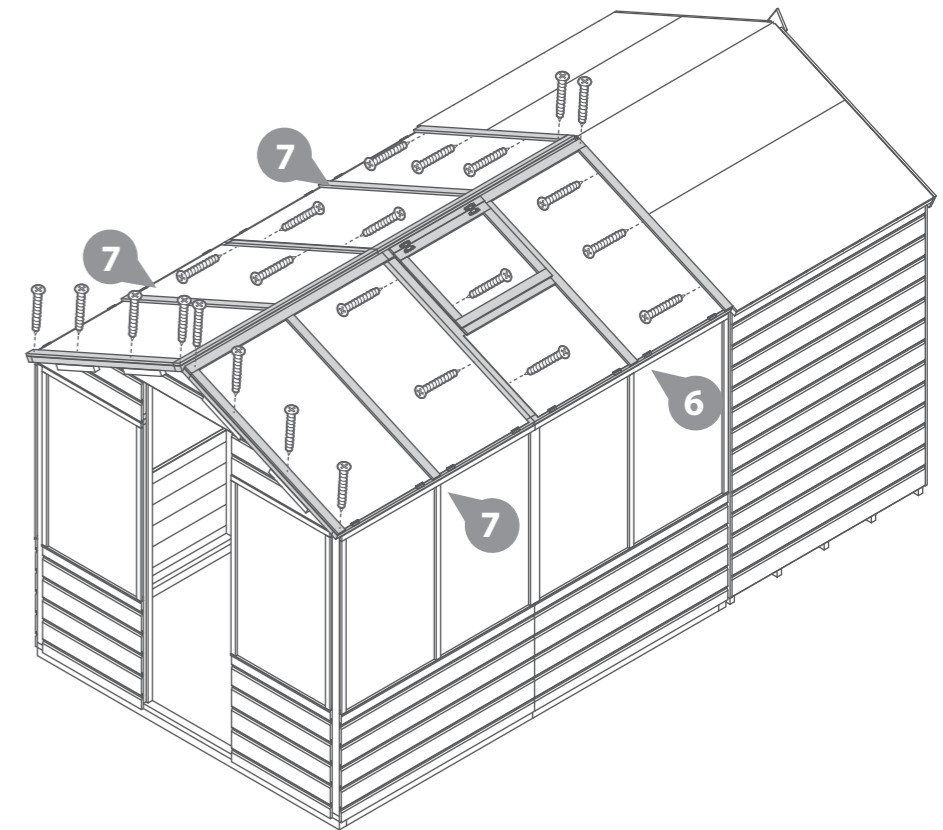
Secure the roof panels to the front gable and Roof Block using 5x50mm screws per roof panel.

Internally, secure the Roof panels to the shed door gable using 3x50mm screws per panel.

16x50mm Screws.
8x70mm Screws.



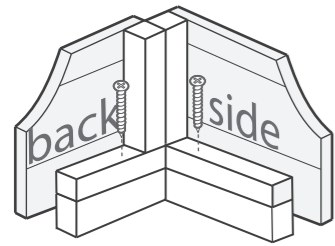
IMPORTANT: Pre-drill before fixing screws.



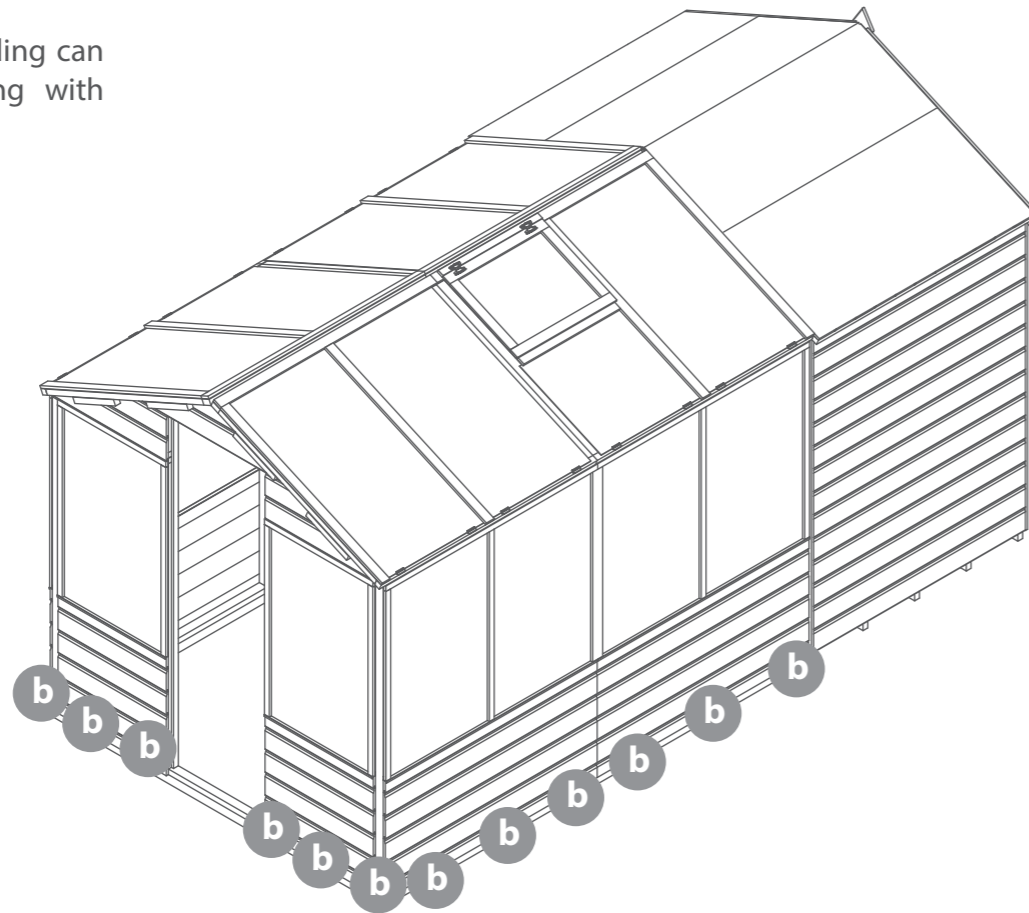
Step 21a

Once the roof is secure, the building can be secured to the base framing with 6x50mm screws per side.

18x50mm Screws.



IMPORTANT: Pre-drill before fixing screws.

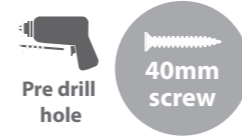


Step 23a

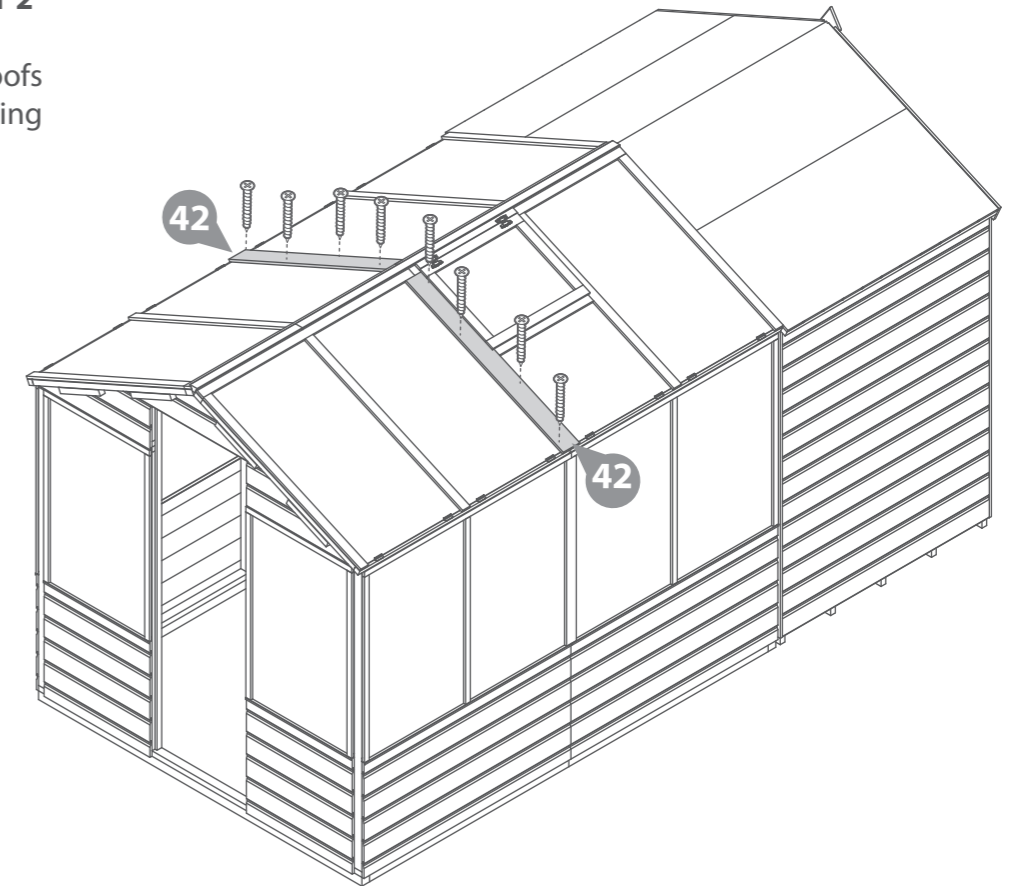
Parts needed - No. 42 QTY 2

Fix strip (**No.42**) to the roofs to cover the panel joins using 4x30mm screws per strip.

8x40mm Screws.



IMPORTANT: Pre-drill before fixing screws.



Step 22a

**Parts needed - No. 13 QTY 1
No. 14 QTY 1**

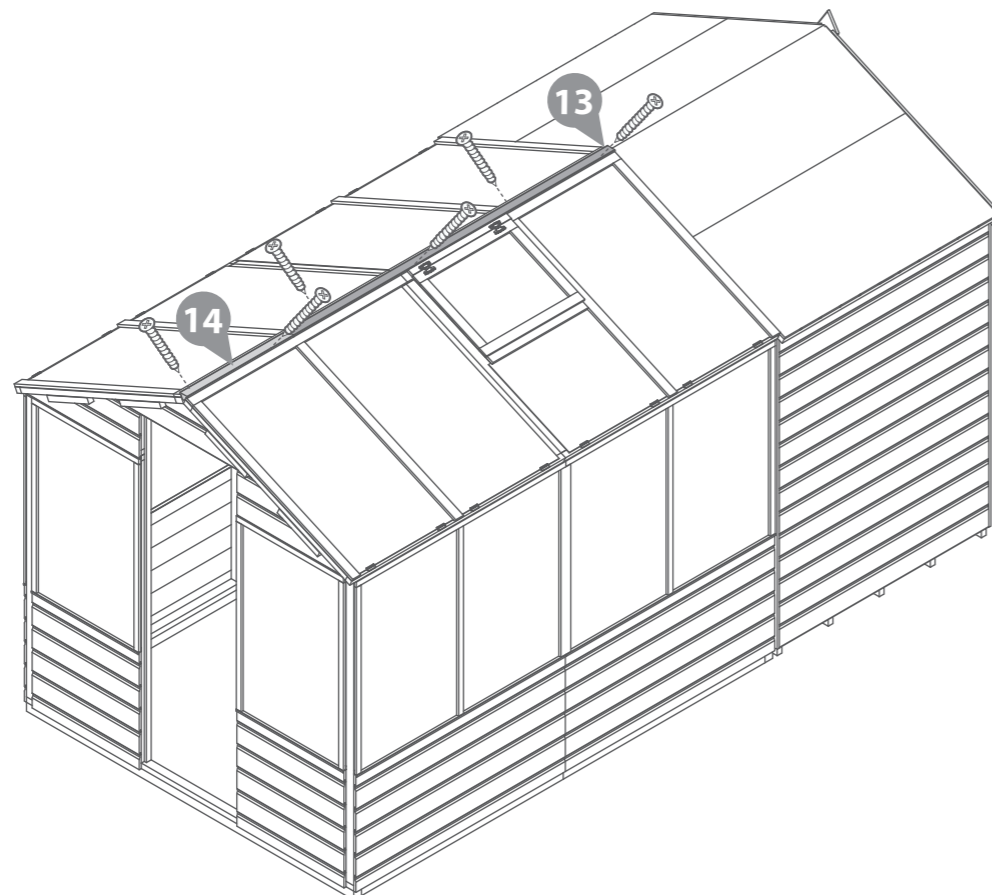
Attach the Roof Support bars (**No. 13&14**) to the roof panels using 6x40mm screws.

Screw diagonally through the support into the roof panel as shown in the diagram.

6x40mm Screws.



IMPORTANT: Pre-drill before fixing screws.



Step 24a

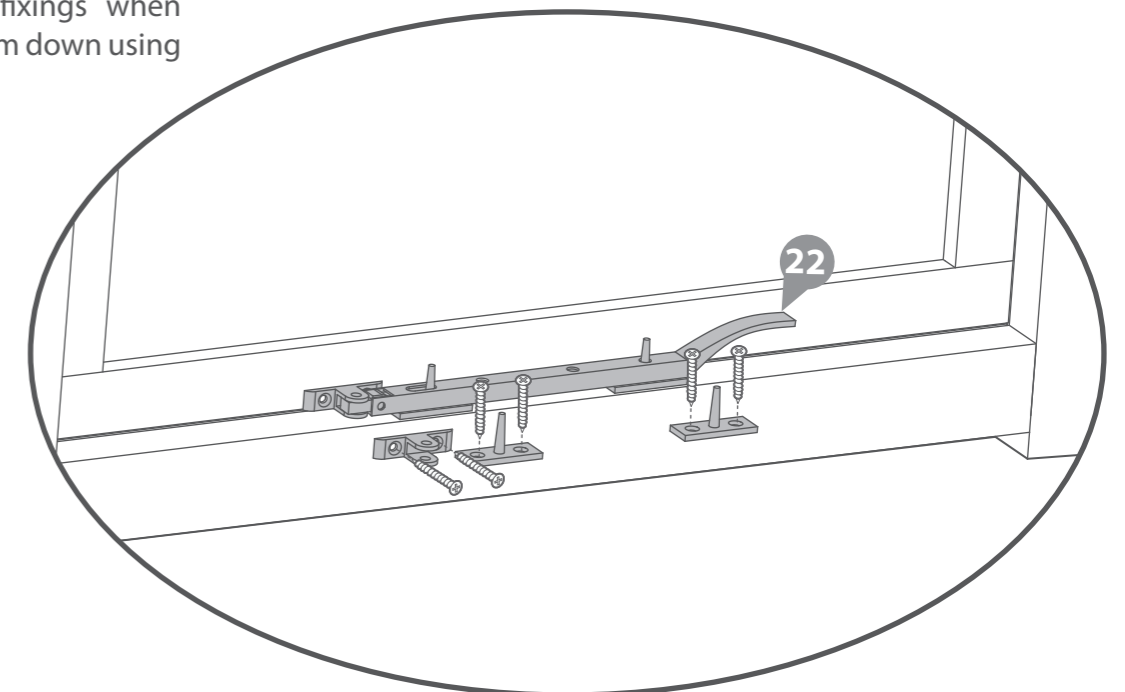
Parts needed - No. 22 QTY 1

Fix the Casement stay (**No. 22**) to the opening window then align the fixings onto the window panel frame. Ensure the casement stay fits onto fixings when closed before screwing them down using 6x20mm screws.

6x20mm Screws.



IMPORTANT: Pre-drill before fixing screws.



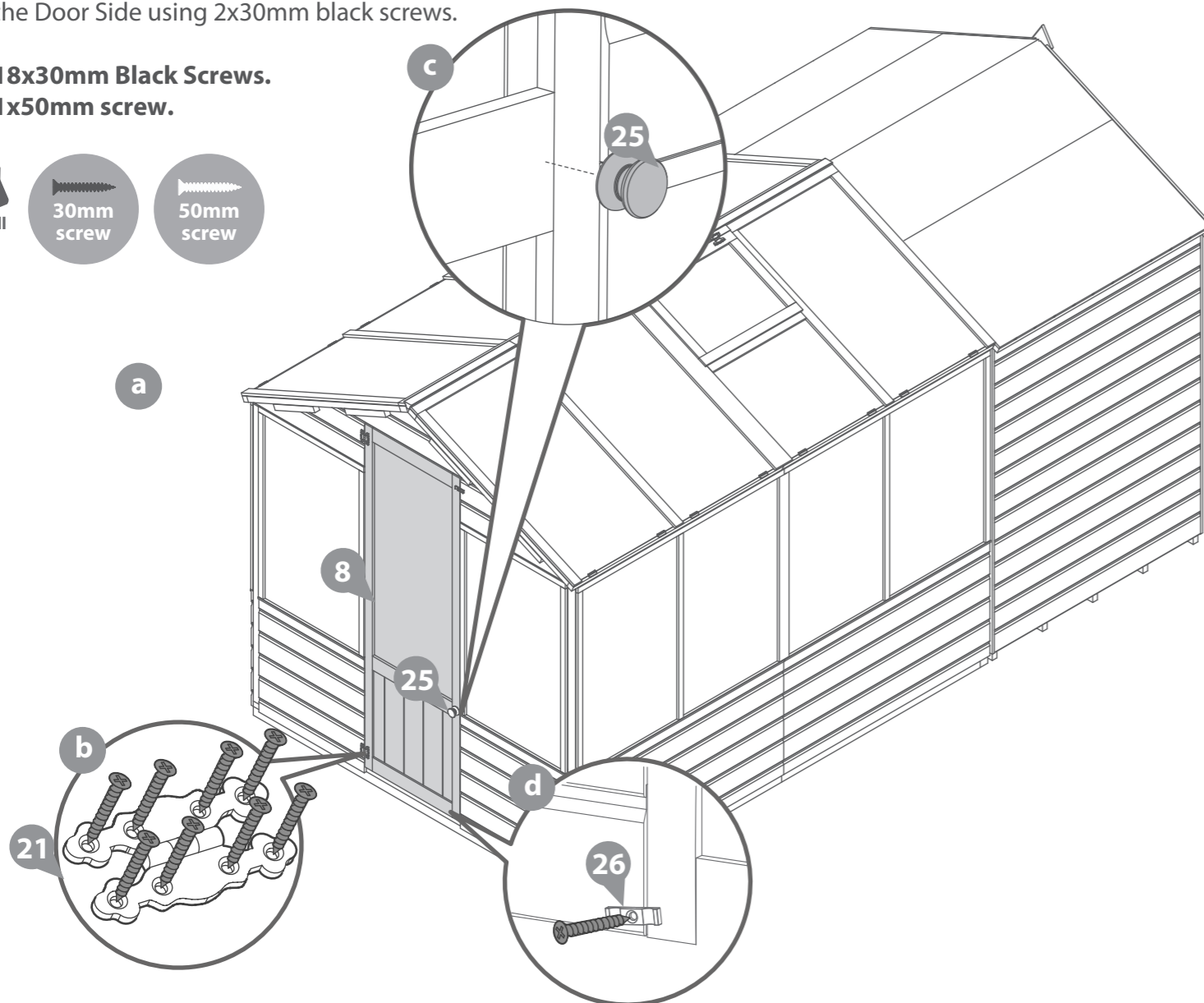
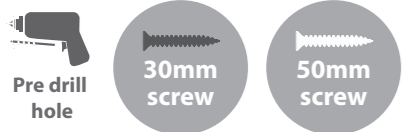
Step 25a

Parts needed - No. 8 QTY 1
No. 21 QTY 2
No. 25 QTY 1
No. 26 QTY 2

IMPORTANT: Pre-drill before fixing screws.

- a** Locate the Door (**No. 8**) into Door opening ensuring there is equal spacing on all sides.
- b** Fix the door (**No. 8**) to the building using 16x30mm black screws per hinge (**No.21**) as shown in the diagram.
- c** Locate the Door Knob (**No.25**) onto the door (**No.8**). Secure in place by screwing through the door, internally, and into the door knob using 1x50mm screw.
- d** Locate one Turn Button (**No. 26**) to the top of the door and one to the bottom. Fix to the Door Side using 2x30mm black screws.

18x30mm Black Screws.
1x50mm screw.



Step 26a

Parts needed - No. 41 QTY 2
No. 44 QTY 2

IMPORTANT: Pre-drill before fixing screws.

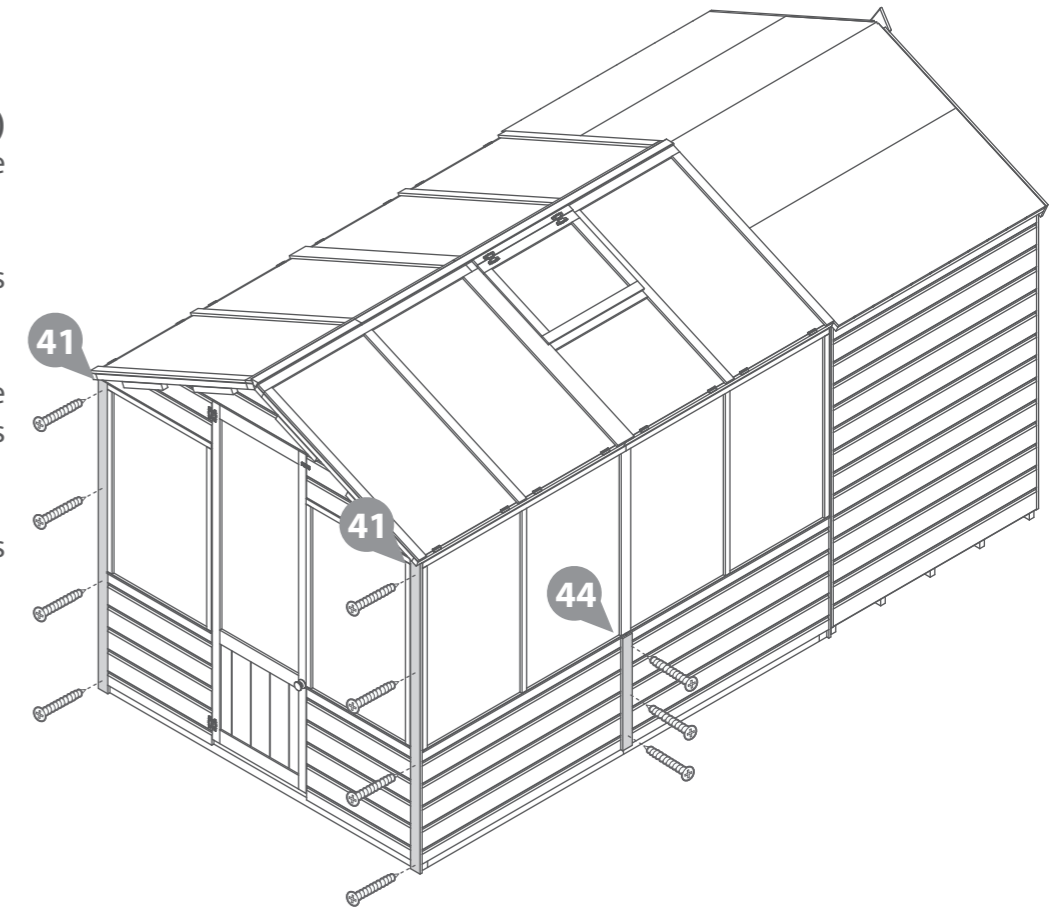
Locate the Corner Trims (**No.41**) onto the front corners of the building, as shown.

Fix in place using 4x30mm screws per trim.

Locate the strips (**No.44**) onto the joins of the small window panels on each side, as shown.

Fix in place using 3x30mm screws per trim.

14x30mm Screws



Step 27a

Parts needed - No. 10 QTY 4
No. 24 QTY 2

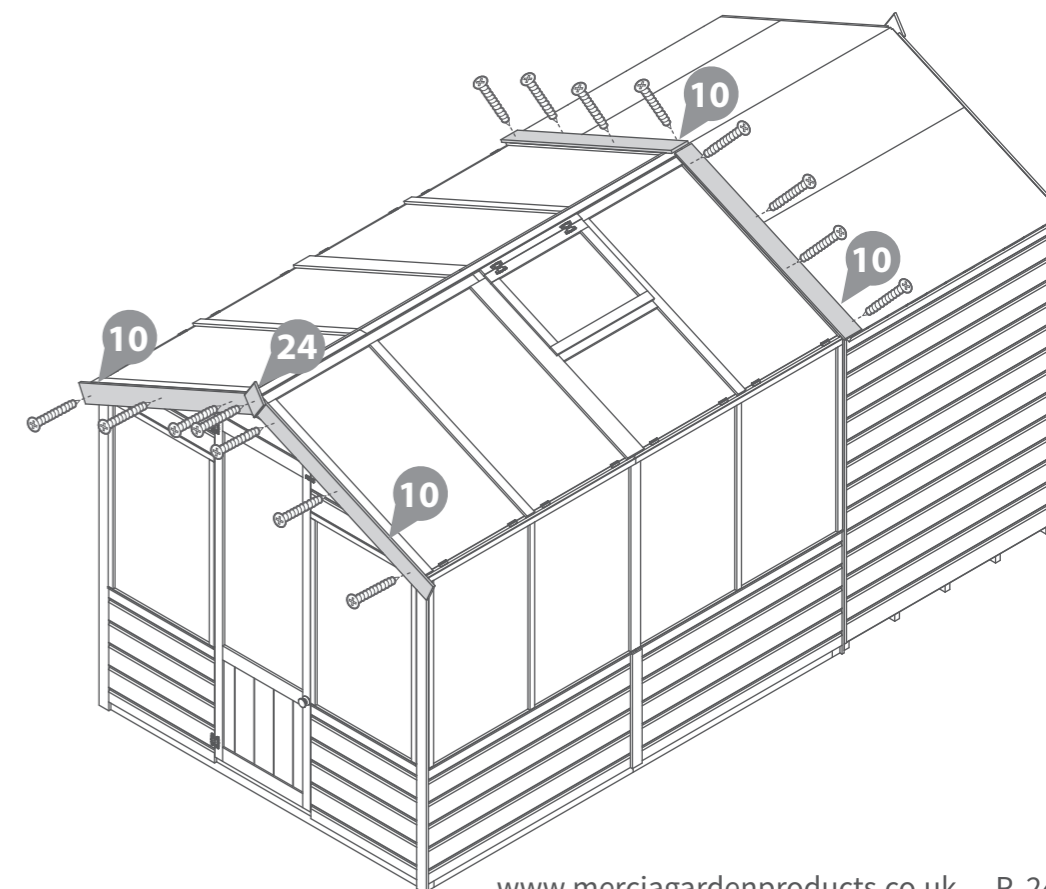
IMPORTANT: Pre-drill before fixing screws.

Locate two Fascias (**No. 10**) to the front of the Greenhouse as shown. Secure in place using 3x30mm screws per Fascia.

Locate the finials (**No. 24**) on top of the Fascias (**No. 10**) and fix in place using 1x30mm screw per Finial.

Position the remaining two Fascias (**No. 10**) across the joint of the two roofs. Fix in place using 4x30mm screws, ensuring to screw through to both the shed and greenhouse roofs in an alternating pattern.

15x30mm Screws



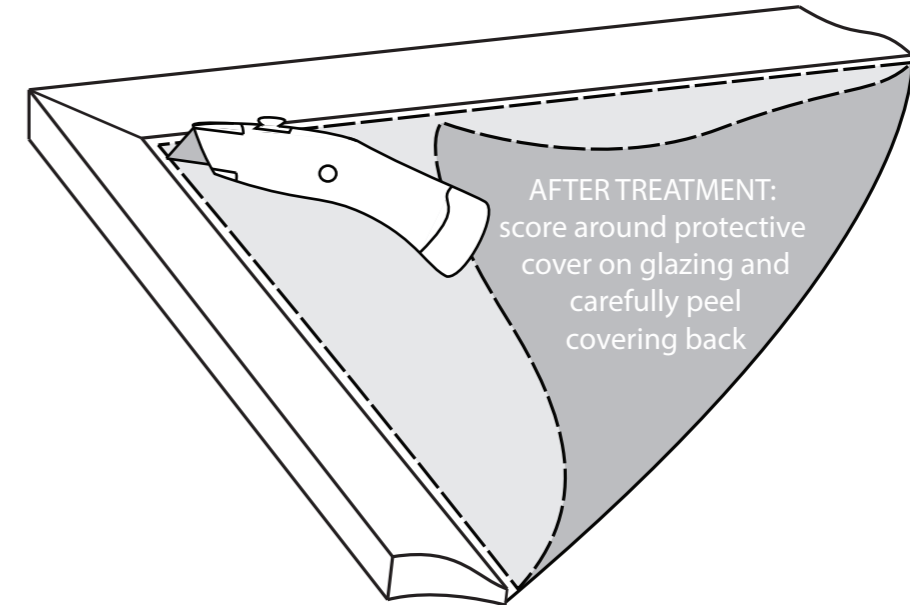
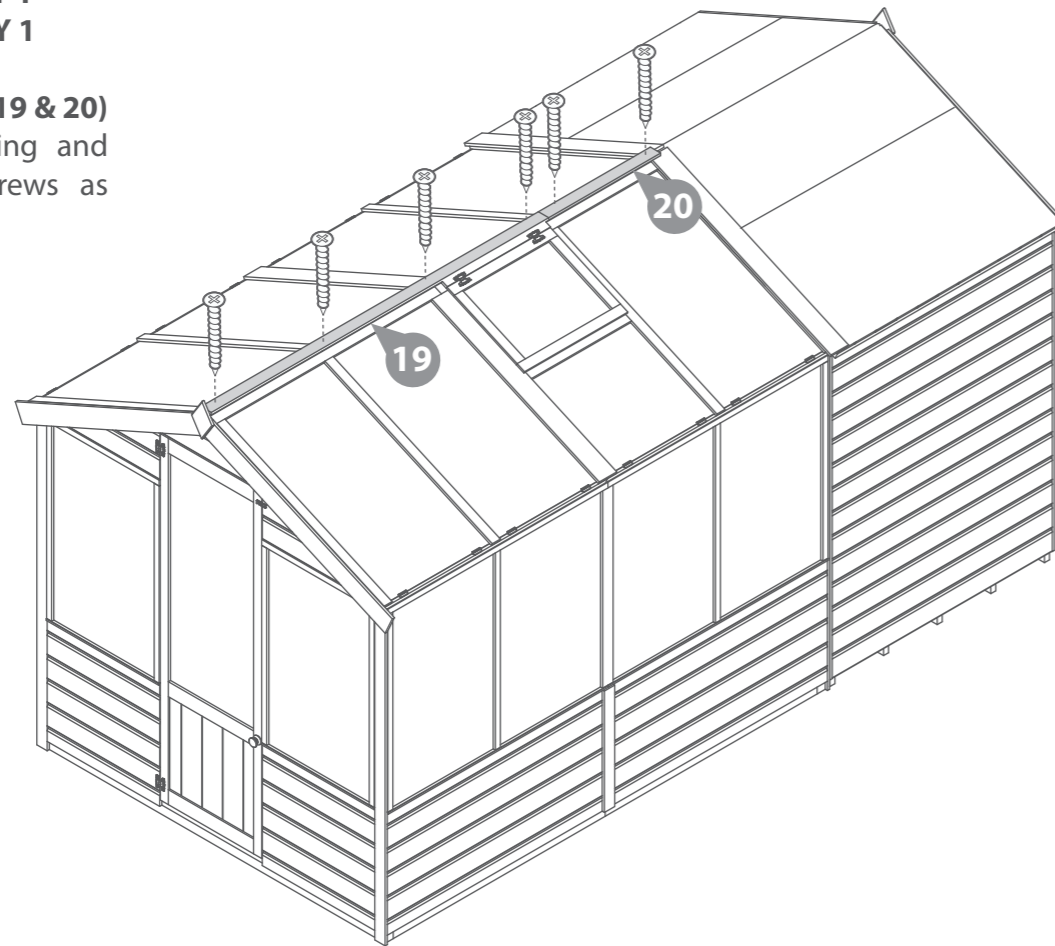
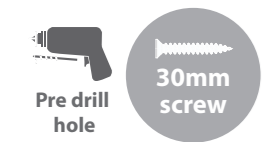
Step 28a

**Parts needed - No. 19 QTY 1
No. 20 QTY 1**

IMPORTANT: Pre-drill before fixing screws.

Locate the Roof trims (**No.19 & 20**) to the top of the building and secure with 6x30mm screws as shown.

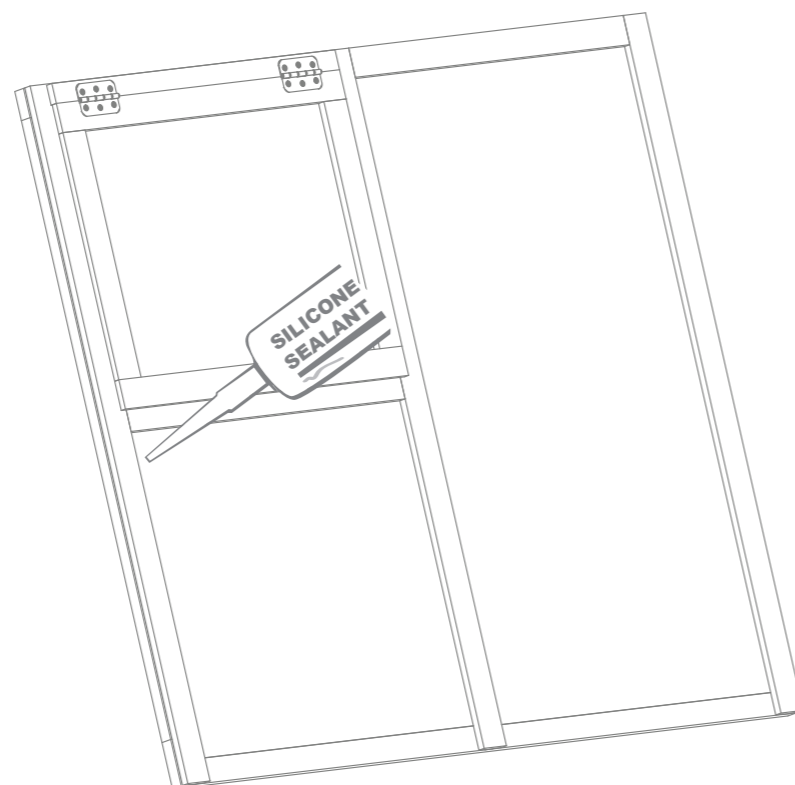
6x30mm Screws



Step 29a

It is **ESSENTIAL** to seal around all window framing with silicone sealant (**not included**) to minimize water ingress.

**Please note: This image is for illustrative purpose and may differ from your product (in regards to the number of windows) however the principle is the same.*



TREATING YOUR GARDEN BUILDING

Preservation of wood that's outdoors is vital. A little early care will help protect your garden building, improve its appearance and ensure maximum longevity. Insects, moisture, salt, and changing weather can have dramatic effects on the stability and appearance of your garden building. Once your building is installed, you've checked it over and you're happy with it, you can take a few basic precautions to prepare it for the elements. Treating your garden building helps prevent decay and, by repelling water, discourages the growth of moulds and fungi that could jeopardise the structural integrity of the wood.

Dip Treated buildings - Require a preservative treatment to protect against rot and decay and a waterproof treatment to prevent water ingress
Pressure Treated buildings - Require a waterproof treatment to prevent water ingress
Log Cabins/Insulated Garden Rooms - Are supplied untreated and require a preservative and waterproofing treatment.



ANY QUESTIONS?
CONTACT US ON
01636 821215

To apply a preservative and water proofing treatment (pressure treated products do not require a preserver), follow the manufacturer's instructions but in principle, stick to the following steps:

- ✓ Wear latex or rubber gloves, eye protection and (if spraying) a mask.
- ✓ Prepare the wood, by sanding down any ridges or inconsistencies in the wood, smoothing out knots and end-cuts.
- ✓ Choose a dry day to treat your garden building. If you're spraying rather than brushing paint on, avoid a windy day.
- ✓ Be sure you can safely reach all the sections you need to paint - and if you need a ladder, make sure it's safely positioned before climbing. Lay dust sheets around to avoid paint splatters on your base or surrounding plants.
- ✓ Tape around windowpanes to avoid smears when you're painting the frames.
- ✓ Keep pets and small children out of the way. The last thing you want is to have fur on your garden building paint, or little painted footprints all over your garden and home.
- ✓ Fill any gaps in the building's body with caulk or wood filler to prevent water and draughts getting in. Silicone based caulk is flexible and will move with the timber when temperature and humidity change. Allow to dry completely before treating. A handy tip for finding gaps is to go into your garden building and look for light leaking through joints and frames. If light gets in, then so will water.
- ✓ Liberally apply at least two coats of the treatment products with a brush or spray, taking care to allow the first coat to completely dry before applying the second.
- ✓ Make sure the solution permeates the whole of the surface area, especially around natural cracks, end cuts and nail/screw holes.



APPLY WOOD TREATMENT
IMMEDIATELY
AFTER ASSEMBLY

PLEASE SCAN HERE TO
SEE TREATMENT VIDEO:



1 Perimeter

Check around the perimeter of your product to ensure there are not trees or plants that are in contact with or overhanging the building. This can affect airflow and overhanging trees, or branches can damage the roof, it is advised to keep plants at a distance.

2 Repair

Inspect the interior and exterior of the product to look for splits, cracks, and holes. Although this is a natural occurrence it can be prevented. A wood filler can be used to close the splits, cracks, and holes.

3 Roof

Check your roof regularly for tears, splits, damaged wood and fallen debris. If you notice any of this immediate repair is critical.

4 Doors & Windows

Expansion and contraction can cause doors and windows to stick or become difficult to open. Small adjustments to the hinge position can be made to the doors and windows to allow free movement.

5 Oil

Hinges can seize up over time, apply lubricant to the hinges and locks annually.

6 Screws & Bolts

It is advised to check all screws and bolts and tighten any loose you might find. For log cabins specifically the storm braces will require loosening. During humidity and temperature changes (seasons) to allow expansion and contraction to prevent gaping, twisting, popping, and warping.

7 Wash

At least once a year, give the outside of you building a good wash, to remove cobwebs, leaves, or any other dirt that may accumulate on the exterior.

8 Airing

Airing your product regularly prevents the build up of condensation which can cause the timber to rot and mould. Condensation can build up over time or daily, it is caused by a rise and fall in temperature. Leaving doors and windows open regularly can help combat the natural moisture build up.

9 Clean & Tidy

It is good practice to clean the inside and outside of your product regularly. Clear out the contents, sweep the floor, remove dirt and cobwebs. Check for areas of damp and investigate the cause to remove and prevent future occurrences. Check the ground around your product for build up of debris such as leaves, remove and ensure there is clear ventilation underneath the floor.

Additional Playhouse Maintenance:

It is recommended that the following checks and maintenance are carried out at the beginning of each season as well as at regular intervals during the usage season.

- Check all nuts /bolts/ screws for tightness and tighten when required.
- Check for movement / opening of wood giving rise to protrusion of nail heads and tips.
- Check hinges.
- Replace defective parts in accordance with the manufacturers instructions.
- Check any crossbeams, suspensions and anchors.
- If a swing is included; check the swing seat, chains and ropes.

IF THESE CHECKS ARE NOT CARRIED OUT THE ACTIVITY TOY COULD BECOME A HAZARD

All our garden buildings have been designed and manufactured with care and attention to be the perfect addition to your outdoor space. To ensure you do get the best out of your new garden building and to increase the longevity we advise that you follow the product instructions and our manufacturer's recommendations as detailed below. Thank you for choosing a Mercia Garden product!

1 Choosing the most suitable location for your garden building...

A minimum of 60cm should be left around the perimeter of your garden building to allow access for maintenance, annual treatment and to allow air flow around the building.

Where possible you should avoid placing your garden building underneath large trees to prevent the tree causing damage to the building.

2 Preparing the base for your garden building...

All our buildings must be built on a firm, level base to ensure the longevity of the building and prevent the wood from distorting. We recommend either concrete, concrete slabs or a wooden base, such as our 'Portabase'.

The base should be slightly smaller than the external measurement of the building, i.e. the cladding should overlap the base, creating a run off for water and preventing water from pooling underneath the building.

We also recommend that the floor of the garden building is a minimum of 25mm above the surrounding ground level to avoid flooding.

3 After installation...

Once your garden building has been installed, it will need to be treated within 14 days (weather permitting) and annually to prevent the timber from deteriorating and to waterproof it. This is required to maintain the anti-rot guarantee.

Dip Treated buildings - Require a preservative treatment to protect against rot and decay

and a waterproof treatment to prevent water ingress.

Pressure Treated buildings - Require a waterproof treatment to prevent water ingress.

Log Cabins/Insulated Garden Rooms - Are supplied untreated and require a preservative and waterproofing treatment.

We also recommend using a silicon sealant on the inside and outside of the windows as soon as possible after assembly and treatment to fully seal the windows.

Roofing felt/covering should be checked annually and replaced or fixed accordingly.

4 General maintenance and wood characteristics

As wood is a natural material it may be affected by the following:

Shrinkage and warping - The timber used in the construction of your garden building will have retained some of its natural moisture content. The moisture content of the timber will vary, depending upon prevailing environmental conditions, which will result in the components either naturally expanding or contracting. As the components dry out, shrinkage may occur. A good waterproofing treatment from the start is the best protection to minimise the effect of moisture loss/intake.

In extended periods of very warm weather getting some moisture to the building will help the overall balance. You can do this by spraying it down lightly with a garden hose. In contrast, after snow fall try to remove the snow as best as possible from the roof to prevent moisture intake and to remove the extra weight.

Top tip - using a garden brush will help you to reach the highest part of the building to remove snow and any debris left from bad weather.

Damp and mould - During the winter months, cold and damp conditions can result in an increased amount of moisture within your garden building, especially when used infrequently. Condensation can form on the timber and other items stored within your garden building. If left this moisture is likely to cause mould and mildew.

To prevent the build-up of moisture, we recommend leaving the door or windows of your building open from time to time, to allow the fresh air to circulate. We also advise against storing wet or damp items in your garden building as this will also increase the level of moisture in the building. If mould or mildew does start to form within your building we recommend using an anti-mould cleaner to remove it and to prevent it spreading, which if left untreated could permanently damage your garden building.

Splits, cracks and knots - You may notice small splits and cracks in some components or holes may appear where knots shrink and fall out. This will not affect the structure of your Garden building however, if you wish to fill them this can be easily done using any good quality wood filler.

Sap - is naturally occurring in wood and may appear in some boards of your garden building. If you wish to remove the sap, we advise waiting until it is dry and then using a sharp knife to carefully remove it. If the removal of the sap causes a hole in the timber, we recommend using a good quality wood filler to fill it.

For more handy hints and tips on how to care and maintain your garden building please refer to the MGP Customer Portal at www.mgplogistics.co.uk

Any further questions?

Contact our
Customer Service
Team on:
01636 821215

1 Manufacturer's Warranty

All Mercia Garden Products are supplied with a 1 year warranty on all parts against manufacturing defects.
This warranty does not cover movement, warping or splitting of timber products over time.

This warranty will be voided if any of the following occur:

1. The building has been customised or modified/adapted in any way.
2. The person claiming is not the original purchaser of the building.
3. Any damage has been caused by or as a result of misuse.
4. The building has not been maintained and cared for in accordance to our advisories and manufacturer's recommendations.
5. The building has not been treated annually or as per the manufacturer's recommendations, please ensure receipts are kept to validate this claim.
6. The building has not been erected, fitted or installed as per the supplier instructions.
7. The building has not been erected on a suitable sized firm flat, solid level concrete/slab base or placed on pressure treated bearers.
8. The building is or has been placed with 2 feet (600mm) of any obstructions (walls, trees, plants, fences etc.) which can allow moisture to penetrate the timber.
9. The roofing felt has been incorrectly fitted or damaged, allowing water ingress, or has not been properly maintained.
10. Any windows and joints have not been sealed, inside and out, with silicone or other watertight sealant.
11. Any timber has been cut, pierced or drilled without subsequent application of approved cut-end treatment.

2 Anti-rot Guarantee

Mercia Garden Products offer a 10 year anti-rot guarantee on all dip treated (a preparatory treatment) and 15 years on all pressure treated products. This guarantee covers solid timber against rot, decay, blue stain and insect attacks.

To validate the guarantee, the building must be treated (as detailed within manufacturer's recommendations) within 14 days (weather permitting) of assembly and annually thereafter.

This guarantee does not cover movement, warping or splitting of timber products over time.

This guarantee will be voided if any of the following occur:

1. The building has been customised or modified/adapted in any way.
2. The person claiming is not the original purchaser of the building.
3. Any damage is caused by or as a result of misuse.
4. The building has not been maintained and cared for in accordance to our advisories and manufacturer's recommendations.
5. The building has not been treated annually or as per the manufacturer's recommendations, please ensure receipts are kept to validate this claim.
6. The building has not been erected, fitted or installed as per the supplier instructions.
7. The building has not been erected on a suitable sized firm flat, solid level concrete/slab base or placed on pressure treated bearers.
8. The building is or has been placed with 600mm of any obstructions (walls, trees, plants, fences etc.) which can allow moisture to penetrate the timber.
9. The roofing felt has been incorrectly fitted or damaged allowing water ingress, or has not been properly maintained.
10. Any windows and joints have not been sealed, inside and out, with silicone or other watertight sealant.
11. Any timber has been cut, pierced or drilled without subsequent application of approved cut-end treatment.



REGISTER FOR YOUR
ANTI-ROT
GUARANTEE TODAY

PLEASE SCAN HERE:

