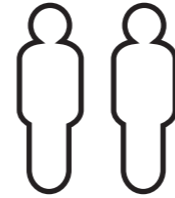


03DTSHPN0408DSHPB-V3  
4X8 SHIPLAP PENT SHED AREA.



**x2**  
All buildings should be erected by two adults



2mm Drill bit

For ease of assembly, you **MUST** pilot drill all screw holes and ensure all screw heads are countersunk.



For ease of assembly, you will need a tape measure to check dimensions of components and fixings.



Winter = High Moisture = Expansion  
Summer = Low Moisture = Contraction



**CAUTION**  
Every effort has been made during the manufacturing process to eliminate the prospect of splinters on rough surfaces of the timber. You are strongly advised to wear gloves when working with or handling rough sawn timber.

**\*\*Protim Aquatan T5 (621)\*\***

Your building has been dip treated with Aquatan.

Aquatan is a water-based concentrate which is diluted with water, the building has been treated by the correct application of Aquatan solution and then allowed to dry.

Aquatan is a decorative finish to colour the wood, which is applied industrially to timber fence panels and garden buildings.

Aquatan undiluted contains: boric acid, sodium hydroxide 32% solution, aqueous mixture of sodium dioctyl sulphosuccinat and alcohols: 2, 4, 6-trichlorophenol.

REGISTER FOR YOUR  
**10 YEAR**  
**ANTI-ROT**  
GUARANTEE TODAY

In all instances for assistance with your product or to register your anti rot guarantee, please contact us via our customer portal



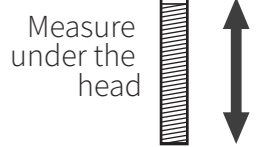
[www.mgplogistics.co.uk](http://www.mgplogistics.co.uk)

Mercia Garden Products Limited, Sutton On Trent, Newark, Nottinghamshire, NG23 6QN

**Screws & Nails**



**Bolts**



**BEFORE YOU START PLEASE READ THE INSTRUCTIONS CAREFULLY**

- Check the pack and make sure you have all the items listed in the parts list provided.
- When you are ready to start, make sure you have the right tools at hand (not supplied - see the equipment list on next page).
- Ensure there is plenty of space and a clean dry area for assembly.
- Ensure you have enough time to build the product to ensure the building is water tight.

**LOCATION FOR YOUR GARDEN BUILDING**

A minimum of 600mm should be left around the perimeter of your garden building to allow access for maintenance, annual treatment and to allow air flow around the building.

Where possible you should avoid placing your garden building underneath large trees to prevent the tree causing damage to the building.

**BUILDING A BASE**

When thinking about where the building and where the base is going to be constructed: Ensure that there will be access to all sides for maintenance work and annual treatment.

Ensure the base is level and is built on firm ground, to prevent movement. Refer to the contents page for the base dimensions. The base should be slightly smaller than the external measurement of the building, i.e. The cladding should overlap the base, creating a run off for water. It is also recommended that the floor be at least 25mm above the surrounding ground level to avoid flooding.

**TYPES OF BASE**

- Concrete 75mm laid on top of 75mm hard-core.
- Slabs laid on 50mm of sharp sand.
- Wooden base - Levelled / on posts / ground screws.

**TREATMENT**

Once your garden building has been installed it will need to be treated within 14 days (weather permitting) and annually to prevent the timber from deteriorating and to waterproof it. This is required to maintain the anti-rot guarantee.

Dip Treated buildings - Require a preservative treatment to protect against rot and decay and a waterproof treatment to prevent water ingress

Pressure Treated buildings - Require a waterproof treatment to prevent water ingress

Log Cabins/Insulated Garden Rooms - Are supplied untreated and require a preservative and waterproofing treatment.

**TIMBER**

As with all natural materials, timber can be affected during various weather conditions. For the duration of heavy or extended periods of rain, swelling of the wood panels may occur. Warping of the wood may also occur during excessive dry spells due to an interior moisture loss. Unfortunately, these processes cannot be avoided but can be helped. It is suggested that the outdoor building is sprayed with water during extended periods of warm sunshine and sheltered as much as possible during rain or snow.



## TO DO LIST

- Find a suitable location to build (*see front cover for further information*).
- Build a base (*see front cover for further information*).
- Check the base is flat, level, clear of debris and has 60cm clearance on all sides.
- Check you have the required equipment / tools.
- Check you have all the product items listed (*if you have missing or damaged parts please scan the QR code below to visit our online customer portal*).
- Install the product as per the step by step instructions within this pack.
- Prepare the product ready for treatment (this may include sanding).
- Apply a preserving and a waterproofing treatment within 14 days (*weather permitting*) of installation (*pressure treated products do not require a preserver*).
- Register for your anti rot guarantee (*scan the QR below*).
- Tidy the build area and dispose of any remaining parts responsibly.
- Maintain your building (*see the manufacturers recommendations at the back of this pack*).

## EQUIPMENT LIST

- Hammer
- Flat Head Screwdriver
- Drill
- Drill Bit Set
- Phillips and Slotted Bit Sets
- Tape Measure
- Hand Saw
- Spirit Level
- Ladders/Steps
- Stanley Knife/Cutting Tool
- Sand Paper
- Gloves
- Silicone (For Windows Only)
- Sealant Application Gun
- Wood Filler (Optional)
- Timber Preservative Treatment (*not pressure treated products*)
- Timber Water Proofing Treatment
- Treatment Mixing Stick
- Paint Brush/Sprayer/Roller

## NEED EXTRA SUPPORT

If you are unsure that your base preparation will be suitable, please contact us via our customer portal to discuss this further.

Alternatively, you can visit our website or MGP Logistics Online Portal for some further shededucation.

**Website:**

<https://www.merciagardenproducts.co.uk/sheducation>

**MGP Logistics Online Portal:**

<https://www.mgplogistics.co.uk/>

Here you will find plenty of useful information that'll help with most pre-installation and maintenance queries.

**ANY QUESTIONS?**

Scan the QR code to contact us via our customer portal.

## NOTES

## ACCESSING VIDEO GUIDES...

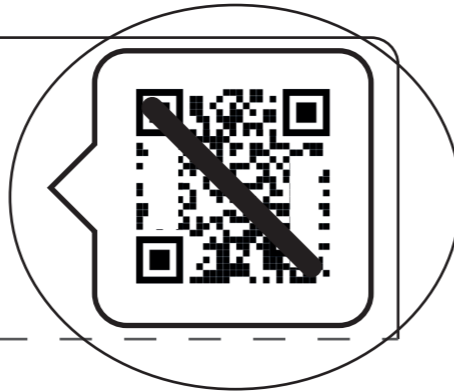
Some steps within this set of instructions come with an added video guide for your convenience. These can be accessed via the QR code and used to aid you in constructing that step. See below for how to use.

You can also find all the videos on our youtube channel:  
<https://www.youtube.com/@merciagardenproducts8716/videos>

### 1. Find the QR code within the instruction step...

#### Step.....

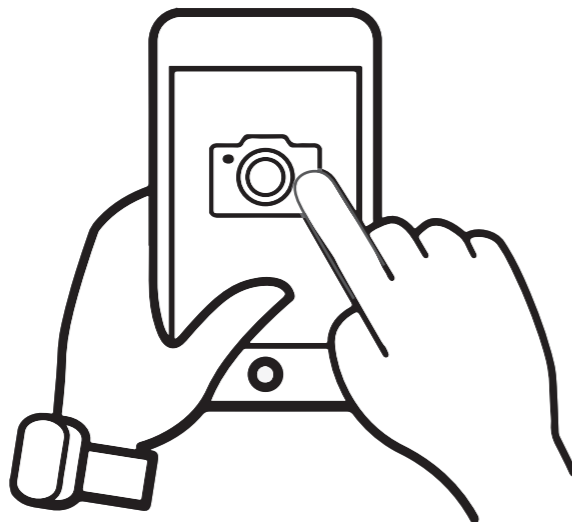
Parts Needed- No. QTY 1  
No. QTY 1  
No. QTY 1



Within the instruction step, there will be an icon in the top right that has a QR code in. This is where the video can be accessed from.

*Please note: not every step has a video guide.*

### 2. Open camera app...



On your personal smart device (phone, tablet etc), open your camera app or QR code scanner app.

## ACCESSING VIDEO GUIDES...

### 3. Scan QR code...



To scan the QR code, hold the camera over the QR code so that it can be seen on the screen. Once the QR code has been registered, follow the prompts on your device to open the video. (This will vary depending on your device.)

*Please note: Ensure to use the back camera of your smart device as this will scan the QR code more accurately.*

### 4. Watch the video...



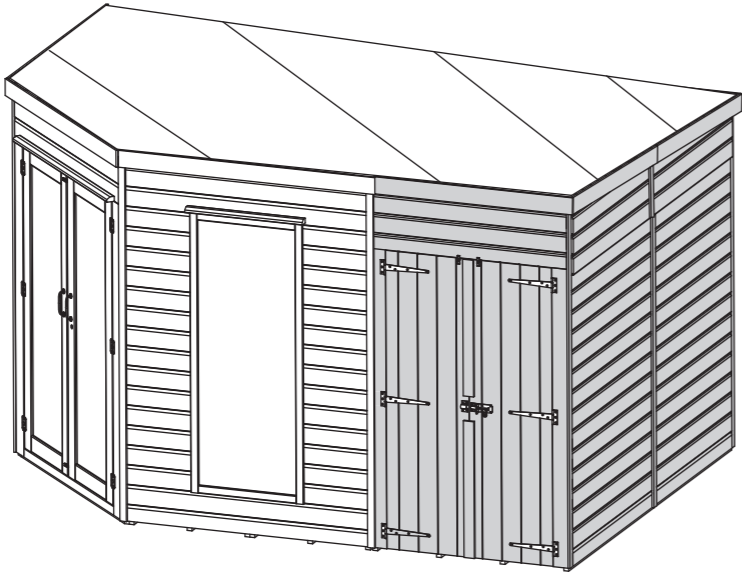
The video guide will now be displayed on your smart device.

**Disclaimer:** The garden building constructed in the video guides may be constructed differently to your building. Please ensure to read your instructions carefully to avoid error.

**03DTSHPN0408DSHPB-V3**

**Overall Dimensions:**  
 Width = 1207mm  
 Depth = 2542mm  
 Height = 2122mm

**Base Dimensions:**  
 Width = 1133mm  
 Depth = 2430mm



**Building Contents:**

Tip: Labelling your parts, using a pencil and masking tape, may help you to identify them easier when you need them.

NO.1 FLOOR PANEL

<b>1</b>	<b>2</b>	<b>3</b>	<b>4</b>
<b>Door Panel QTY 1</b> AI-01S11SHDD1135X2058-V1	<b>Back Panel QTY 1</b> AI-S11SHPP1135X1940-V1	<b>Side Panel QTY 2</b> AI-S11SHPP1187X1681-V1	<b>Floor QTY 2</b> AI-R11MBF1133X1215-V1
<b>5</b>	<b>6</b>	<b>7</b>	<b>8</b>
<b>Roof QTY 2</b> AI-S11MBPR1143X1258-V1	<b>Door QTY 2</b> AI-S11FBMBZBD479X1680-V1	<b>Rear Gable Top QTY 1</b> AI-S21SHDBPGT1187X358-V1	<b>Front Gable Top QTY 1</b> AI-S21SHDBPGT1187X417-V1

<b>9</b>		End View
<b>Back Cover Trim - 12x40x1909mm QTY 1</b> S1240-1909mm		
<b>10</b>		End View
<b>Front Cover Trim - 12x40x2055mm QTY 2</b> S1240-2055mm		
<b>11</b>		End View
<b>Fascia - 12x95x1200mm QTY 2</b> S1295-1200mm		
<b>12</b>		End View
<b>Door Cover Trim - 12x60x770mm QTY 2</b> S1260-770mm		
<b>13</b>		End View
<b>Roof Framing - 28x28x1143mm QTY 2</b> FS2828-1143mm		
<b>14</b>		End View
<b>Gable Framing - 27x44x1156mm QTY 2</b> F2744-1156mm		
<b>15</b>		End View
<b>Door block - 28x28x140mm QTY 4</b> FS2828-140mm		
<b>16</b>		End View
<b>Floor Joining block - 28x28x250mm QTY 3</b> FS2828-250mm		
<b>17</b>		
<b>T-hinge QTY 6</b> PI-02-1045		
<b>18</b>		
<b>Turn Button QTY 4</b> PI-07-0034		
<b>19</b>		
<b>Pad Bolt QTY 1</b> PI-07-0035		
<b>20</b>		
<b>Sand Felt QTY 2</b>		
<b>21</b>		
<b>Green Felt QTY 2</b>		
<b>22</b>		
<b>Butyl QTY 2</b> PI-01-0042		

\* Sand and Green felt are not provided and will not be provided if upgraded felt have been ordered.

## Screw Pack

There may be extra screws in the pack.



60mm Screw x 12



30mm Screw x 78



50mm Screw x 72



20mm Screw x 6



40mm Screw x 21



Felt Tacks x 150



### Missing parts?

Scan the QR code to visit our customer portal where you can quickly raise any missing or damaged parts and get a replacement sent out ASAP.

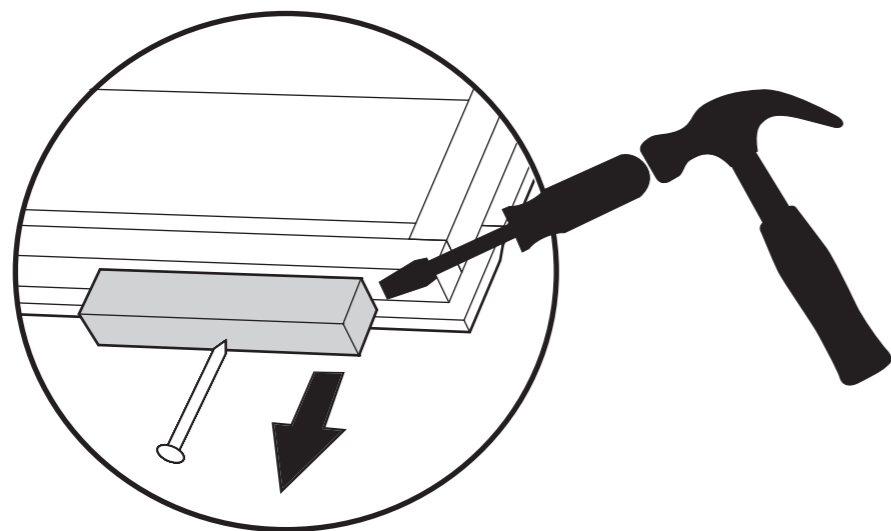


## Pre Assembly

Before assembling remove the transportation blocks from the bottom of each panel.

Take care removing the blocks as to not damage the panels. Tap with a flat headed screwdriver and hammer.

Dispose of the blocks once removed.

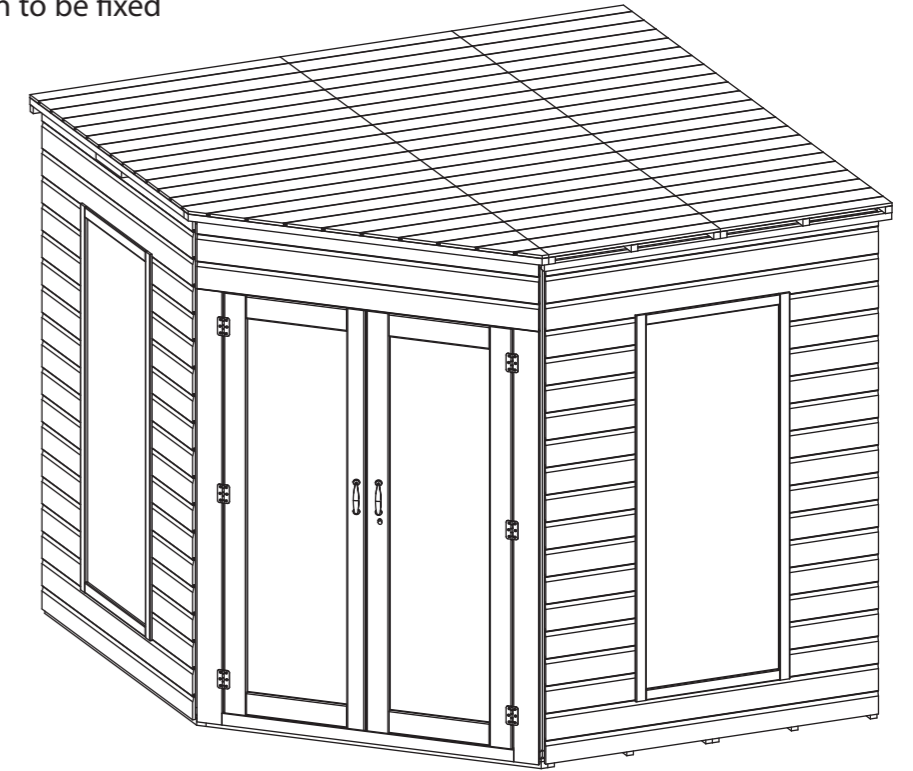


## Pre Assembly

Follow the instructions for the 8x8 Corner Summerhouse (03DTSHCR0808FGD2TW), however **DO NOT attach the Felt, Rear Cover Trims or the Fascia Trims.**

Not attaching these parts allows the extension to be fixed in place.

Your building should look as shown.



Before assembly, please make sure you have a suitable base ready to install your building onto.

### Step 1

- Parts Needed - No. 1 QTY 1
- No. 6 QTY 2
- No. 12 QTY 2
- No. 17 QTY 6

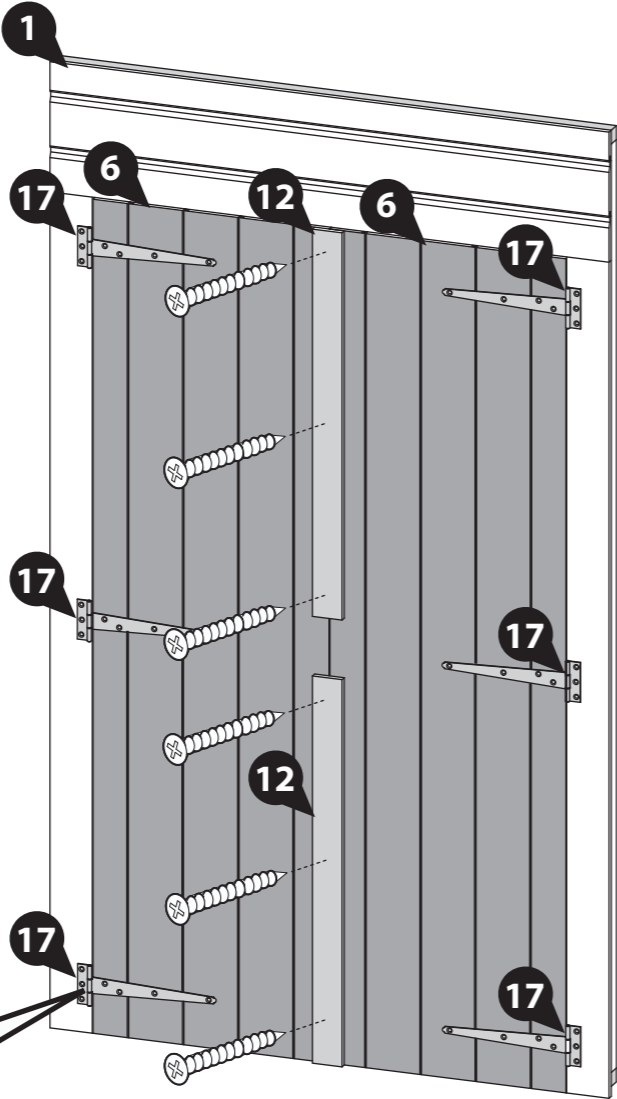
Fix the T-hinges (No. 17) to each of the Doors (No. 6) with 4x30mm screws per hinge, making sure to screw into the framing on the rear of the Doors.

Once the T-hinges are fixed into position lay the Door Panel (No. 1) flat on the ground fix the door in position using 3x30mm screws per hinge.

To create a Master and Secondary door fix the Door Trims (No. 12) to one of the doors overlapping with the other door as shown using 3x20mm screws per trim.

- 6x20mm Screw
  - 42x30mm Screws
- 

IMPORTANT: Pre-drill before fixing screws.



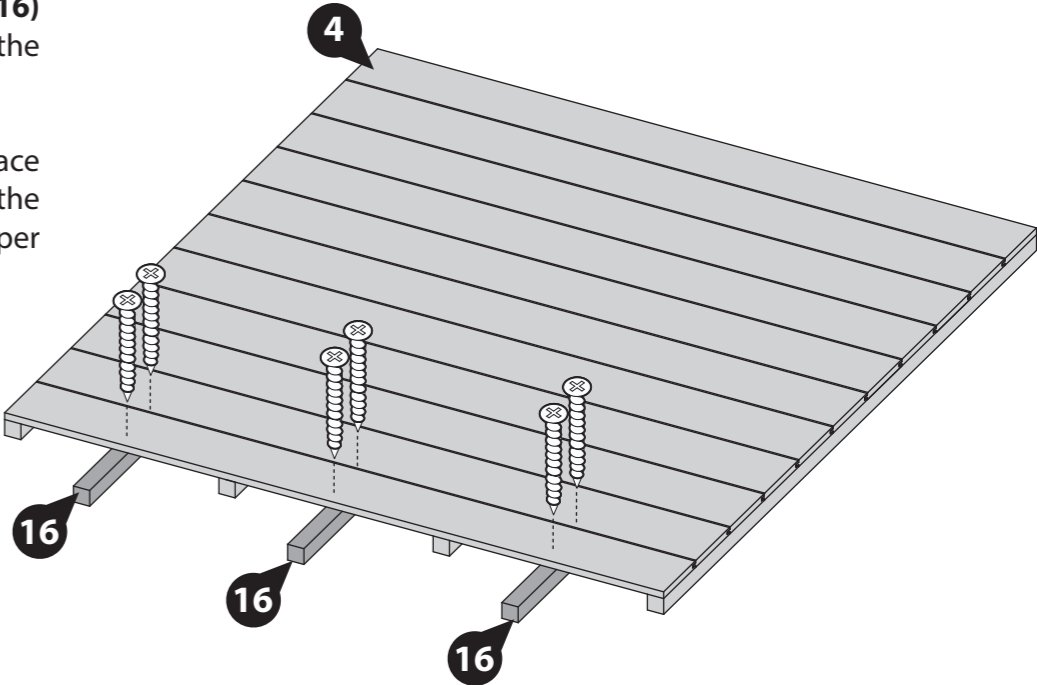
### Step 2

- Parts Needed - No. 4 QTY 1
- No. 16 QTY 3

Position the Floor Blocks (No. 16) centrally between the bearers of the Floor (No. 4).

Secure the Floor Blocks (No. 16) in place by screwing through the floor into the block below using 2x30mm screws per block.

- 6x30mm Screws
- 



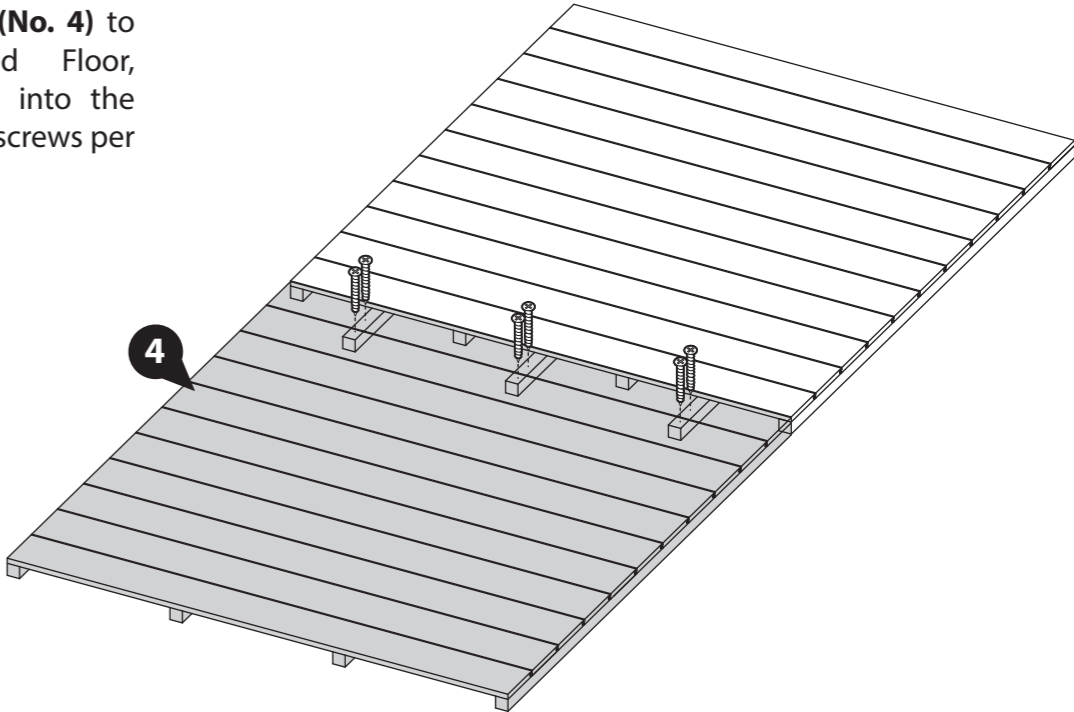
IMPORTANT: Pre-drill before fixing screws.

### Step 3

- Parts Needed - No. 4 QTY 1

Secure the remaining Floor (No. 4) to the previously assembled Floor, screwing through the floor into the blocks below using 2x30mm screws per block, as shown.

- 6x30mm Screws
- 



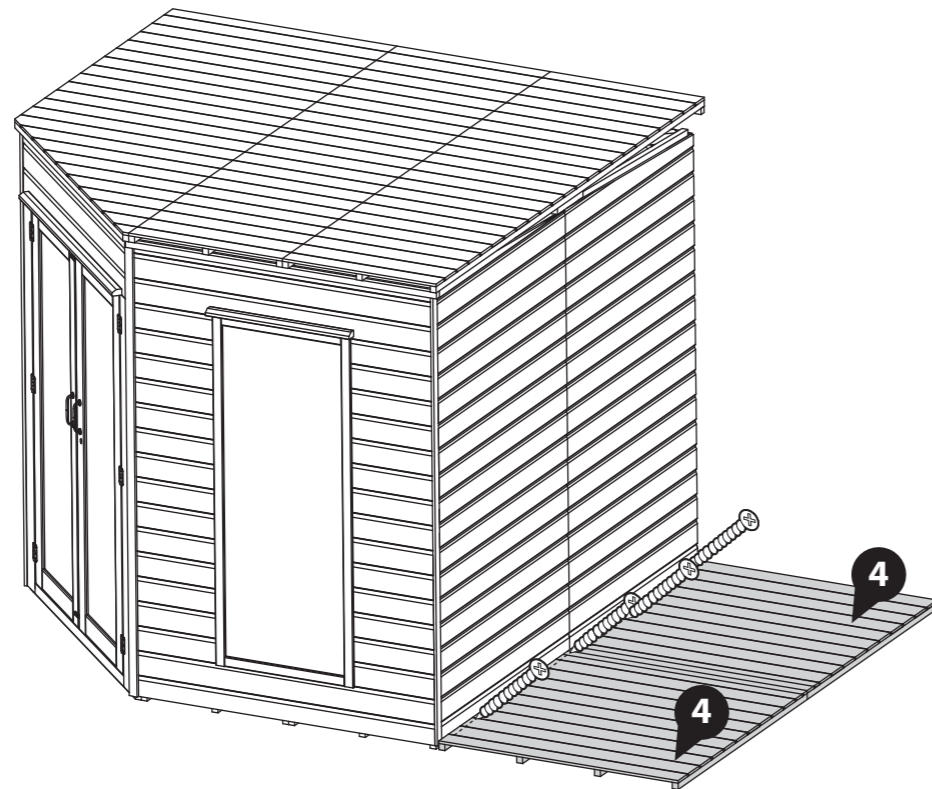
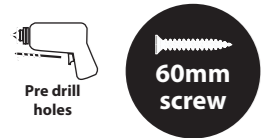
IMPORTANT: Pre-drill before fixing screws.

## Step 4

Place the two assembled Floors (**No. 4**) up against the 8x8 Corner Summerhouse on a flat, level surface. Fix into position using 4x60mm screws as shown.

**\*\*To position the side shed on the left, position the floor on the left and fix in the same way shown.**

4x60mm Screws



**IMPORTANT: Pre-drill before fixing screws.**

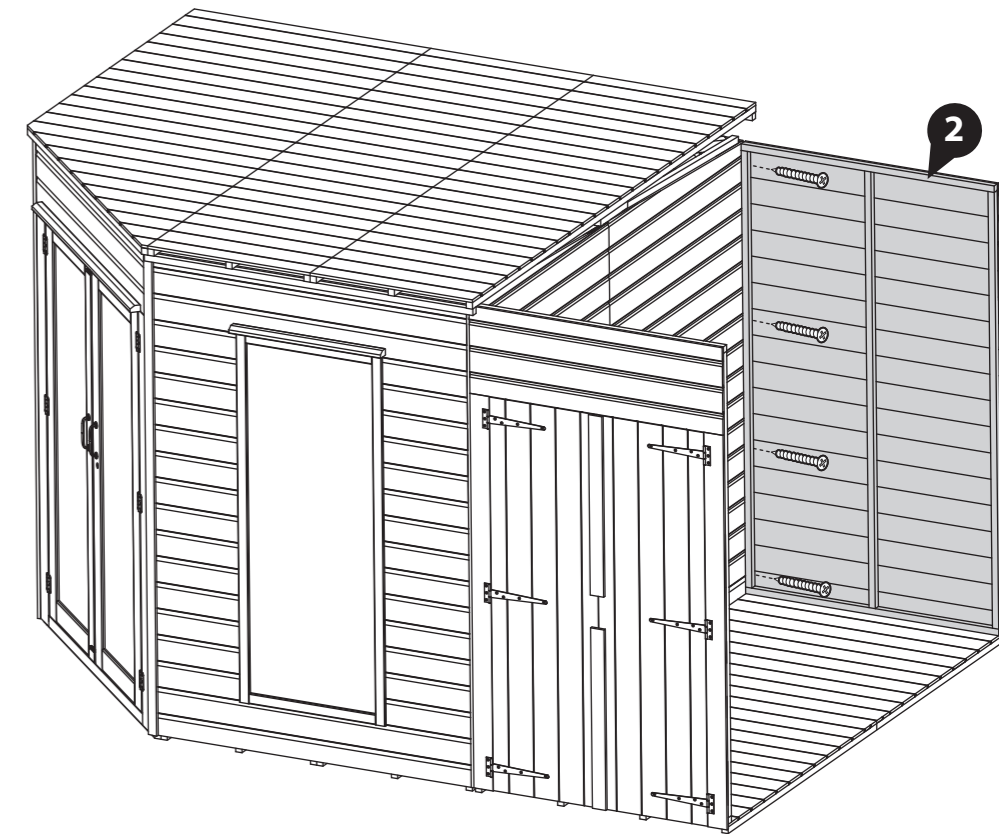
## Step 6

Parts Needed - No. 2 QTY 1

Fix the side of the Back Panel (**No. 2**) against the side of the 8x8 Corner Summerhouse Back Panel as shown using 4x60mm screws.

**Do not secure the building to the Floor until the roof is fitted.**

4x60mm Screws



**IMPORTANT: Pre-drill before fixing screws.**

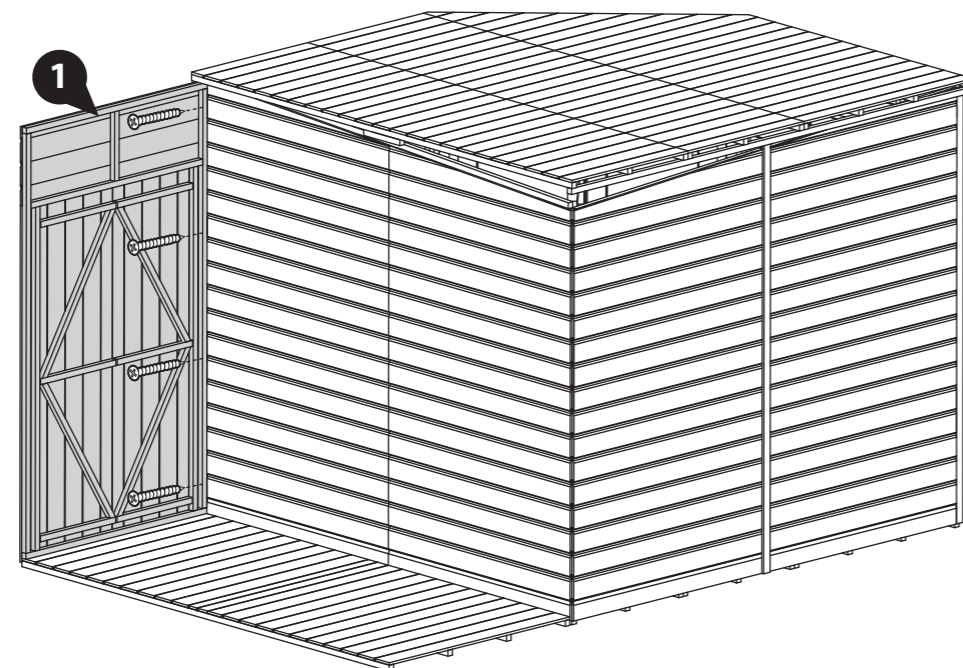
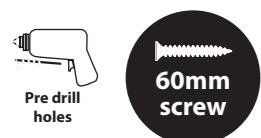
## Step 5

Parts Needed - No. 1 QTY 1

Fix the side of the Door Panel (**No. 1**) against the side of the 8x8 Corner Summerhouse Window Panel as shown using 4x60mm screws.

**Do not secure the building to the Floor until the roof is fitted.**

4x60mm Screws



**IMPORTANT: Pre-drill before fixing screws.**

## Step 7

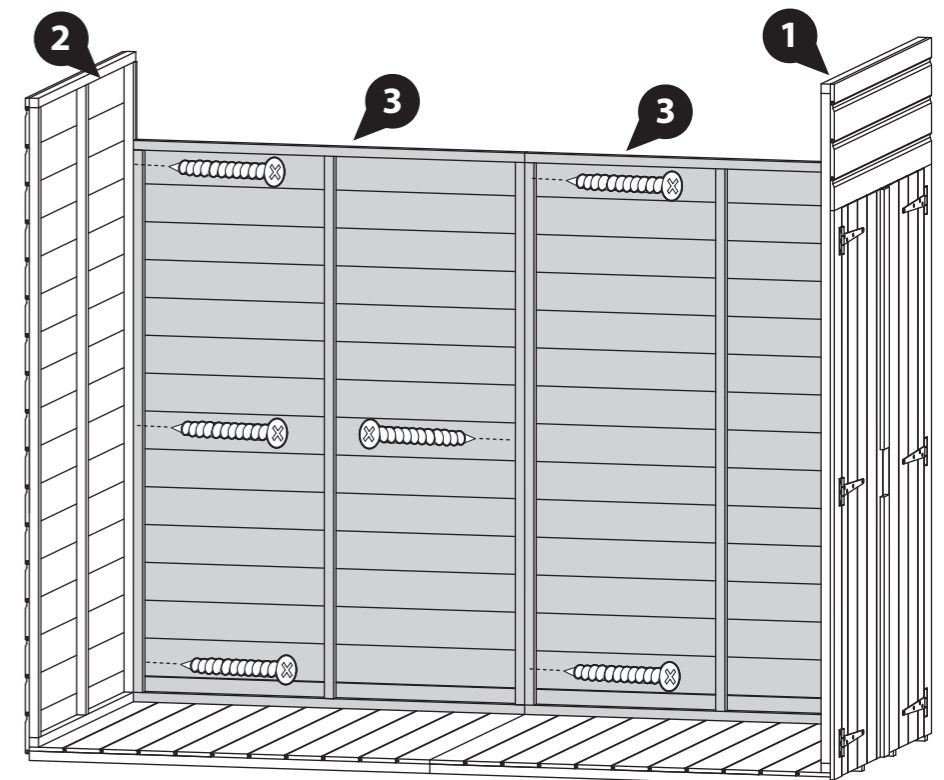
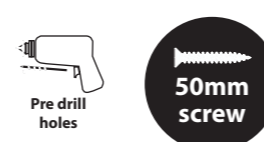
Parts Needed - No. 3 QTY 2

Fix the two Side panels (**No. 3**) together using 3x50mm screws. Then fix the side panels to the Door Panel (**No. 1**) and Back Panel (**No. 2**) using 3x50mm screws at each corner.

**\*8x8 Corner Summerhouse not shown\***

**Do not secure the building to the Floor until the roof is fitted.**

9x50mm Screws



**IMPORTANT: Pre-drill before fixing screws.**

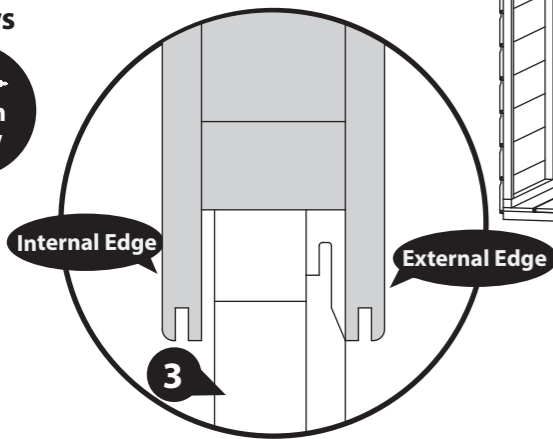
## Step 8

Parts Needed - No. 7 QTY 1  
No. 8 QTY 1

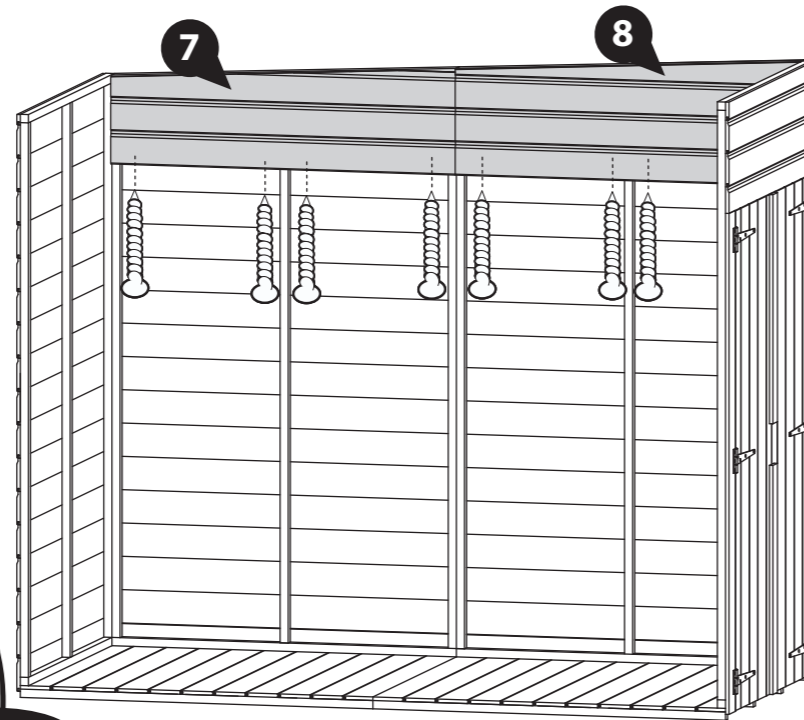
Place the Gable Tops (No. 7 & 8) on top of the assembled Side Panels (No. 3) slotting the boarding of the gable over the top of the boarding of the side panel as shown.

Fix with 4x50mm screws per gable top as shown in diagram.

8x50mm Screws



IMPORTANT: Pre-drill before fixing screws.



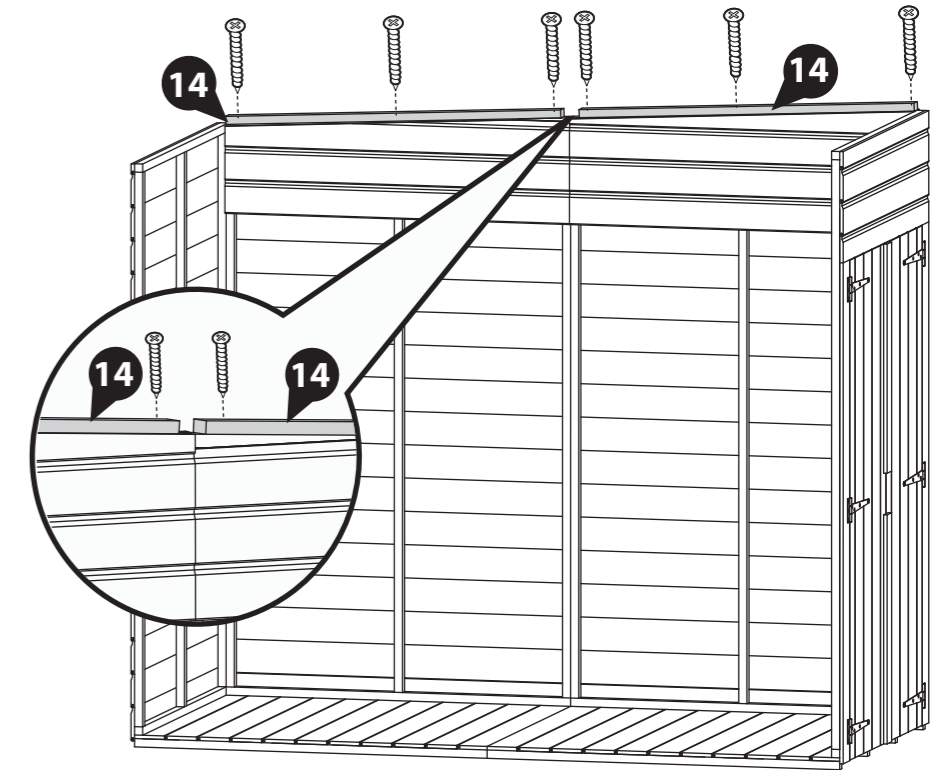
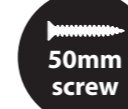
## Step 10

Parts Needed - No. 14 QTY 2

Place the Gable Framing (No. 14) on the top of the Gables, ensuring they are flush with either end of the gables, leaving a gap between the two piece of framing as shown.

Fix with 3x50mm screws per Gable Top.

6x50mm Screws

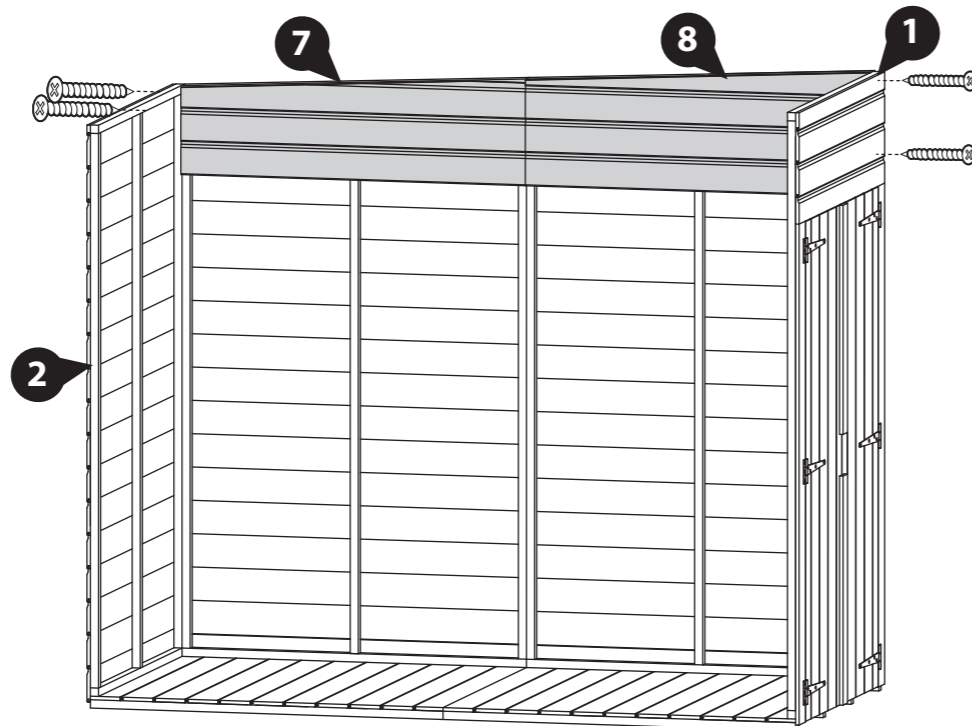


IMPORTANT: Pre-drill before fixing screws.

## Step 9

Secure the Gable Tops (No. 7 & 8) in place against the Door Panel (No. 1) and Back Panel (No. 2) using 2x50mm screws per Gable Top.

4x50mm Screws



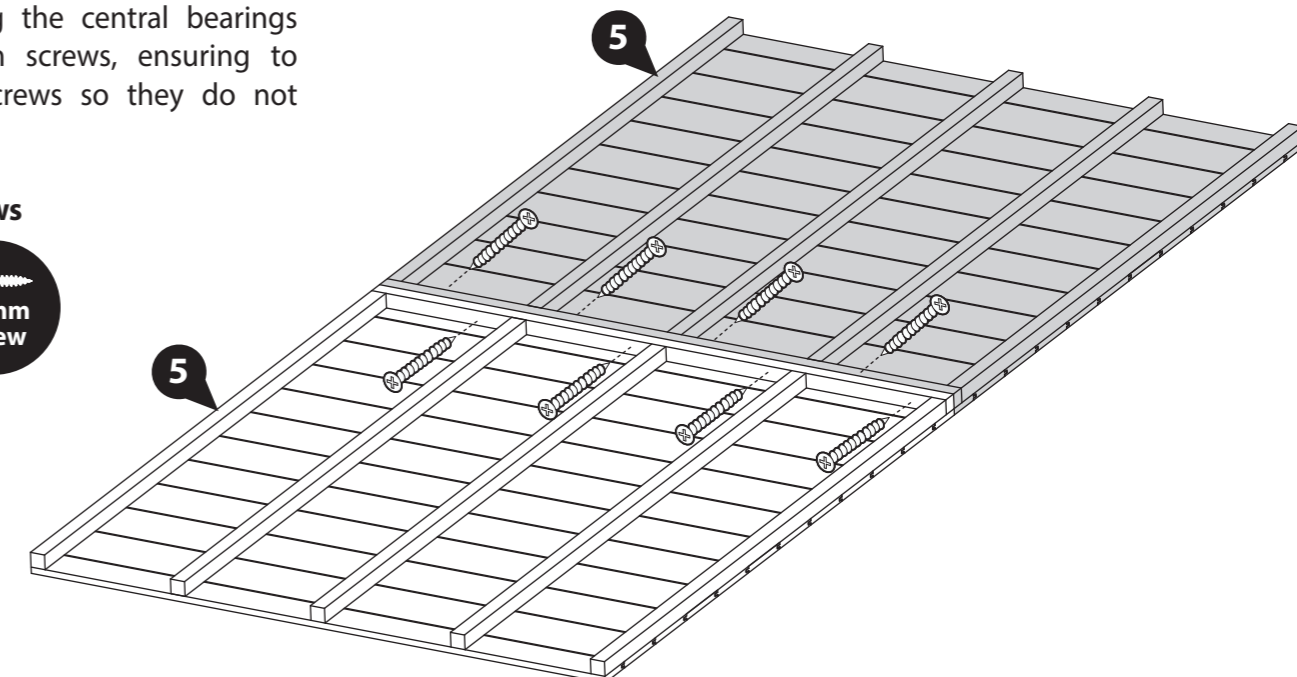
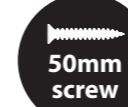
IMPORTANT: Pre-drill before fixing screws.

## Step 11

Parts Needed - No. 5 QTY 2

Place the two Roof Panels (No. 5) flat, in-line and upside down. Secure them together along the central bearings using 8x50mm screws, ensuring to stagger the screws so they do not collide.

8x50mm Screws



IMPORTANT: Pre-drill before fixing screws.



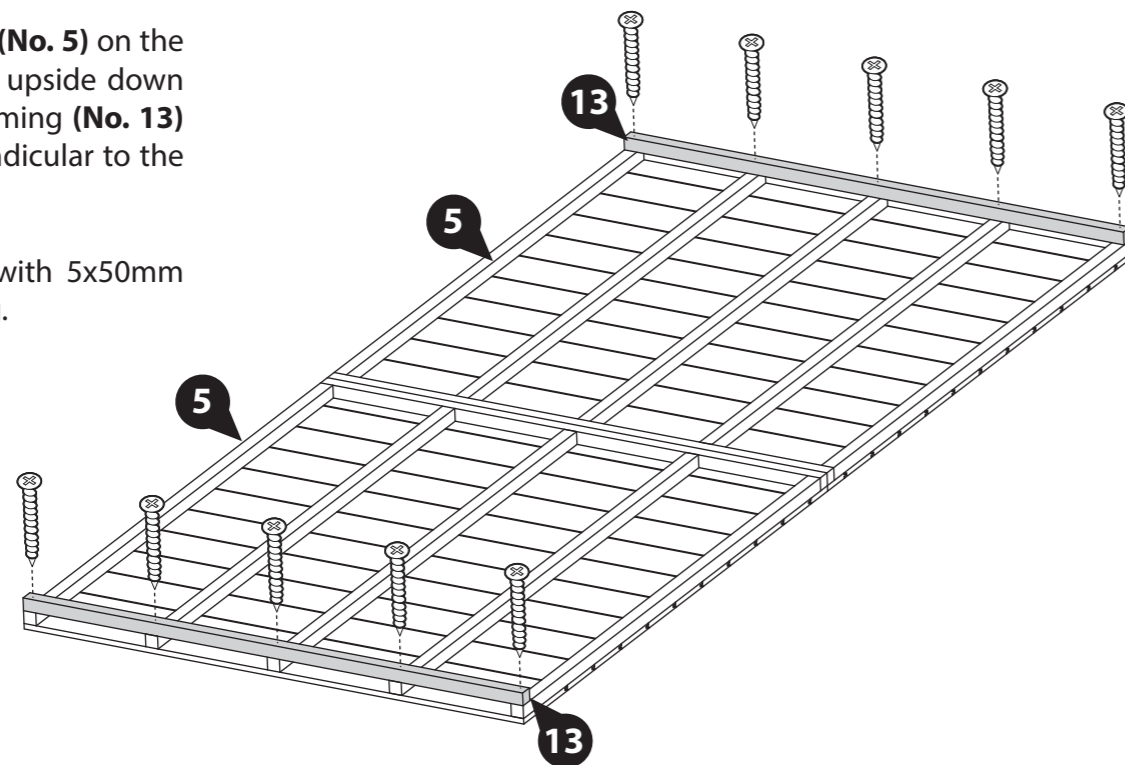
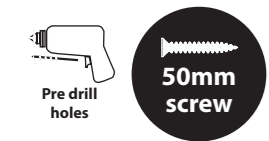
## Step 12

Parts Needed- No. 13 QTY 2

Before placing the Roof (No. 5) on the building, place the roof upside down and attach the Roof Framing (No. 13) flush to the end, perpendicular to the roof bearers.

Fix in place as shown with 5x50mm screws per Roof Framing.

10x50mm Screws



**IMPORTANT: Pre-drill before fixing screws.**

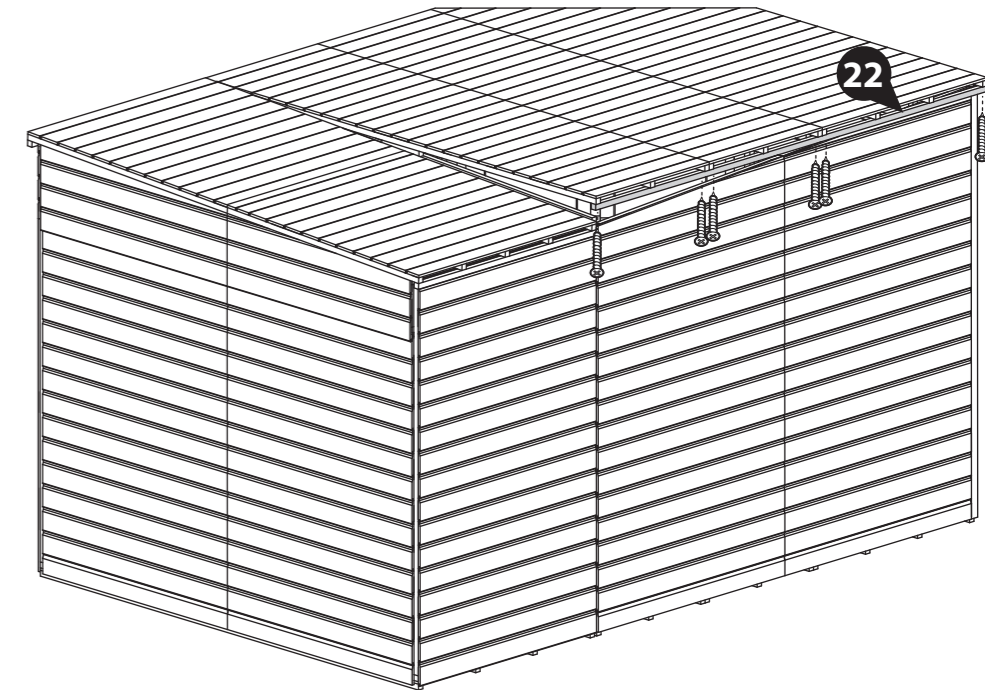
## Right Side Shed only

### Step 14

Parts Needed - No. 22 QTY 1 (8x8 Corner Summer house)

Fix the Rear Roof framing (No. 22) to the back of the Summer house roof. Secure using 6x50mm screws. Ensure to go through to the roof framing

6x50mm Screws



**IMPORTANT: Pre-drill before fixing screws.**

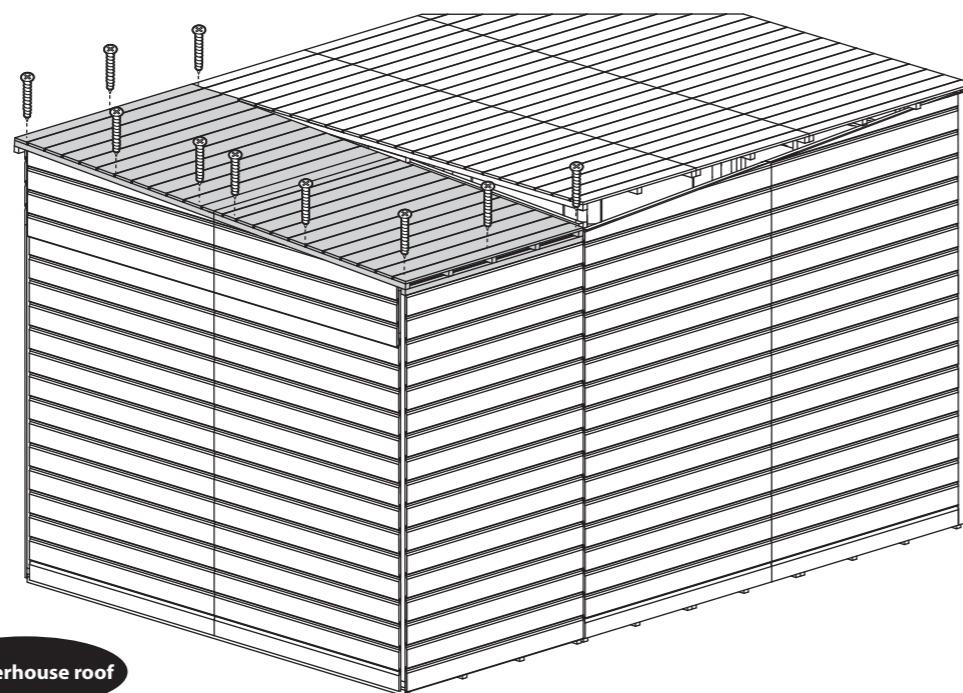
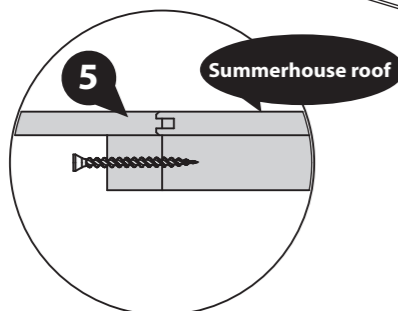
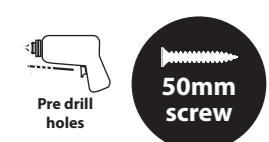
## Step 13

Place the Roof Panels (No. 5) on top of the building, ensure the Roof framing (No. 13) slots over each side.

Fix the roof panel onto the extension using 10x50mm screws as shown.

Secure the roof to the Summerhouse roof internally using 4x50mm screws through the roof bearers, as shown in the diagram.

14x50mm Screws



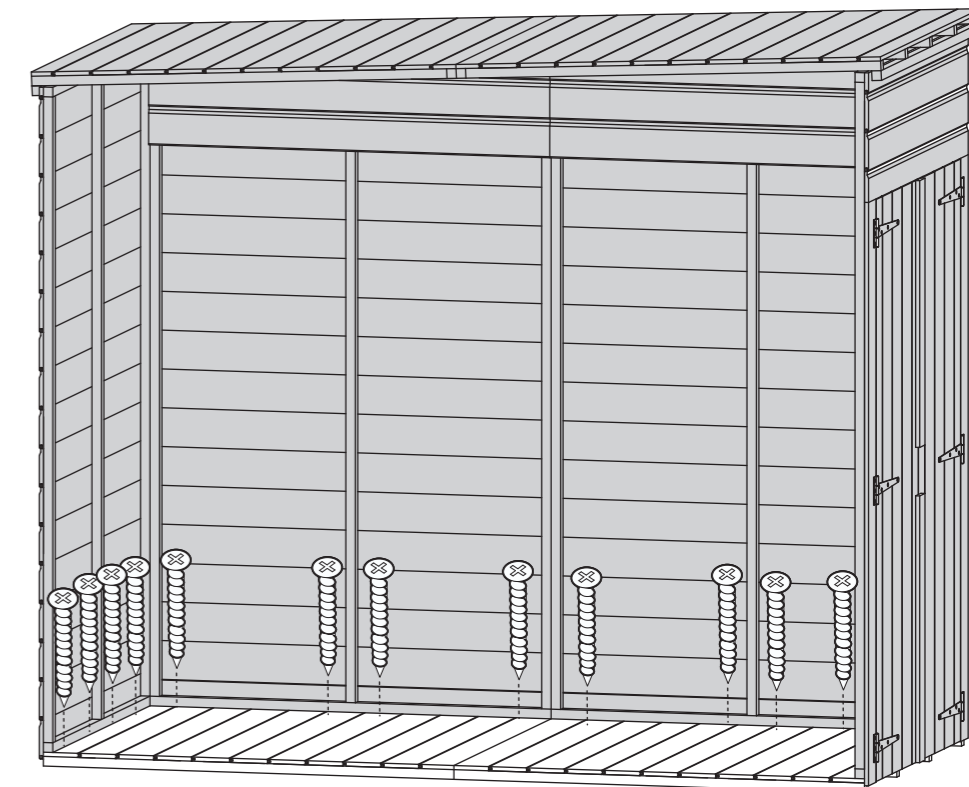
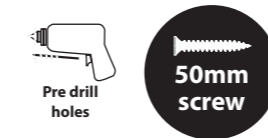
**IMPORTANT: Pre-drill before fixing screws.**

## Step 15

Once the Roof is in position the extension can be fixed in position.

Fix the building in place by using 16x50mm screws.

16x50mm Screws



**IMPORTANT: Pre-drill before fixing screws.**

## Step 16

Parts Needed - No. 20 QTY 2

No. 22 QTY 1

\* Proceed to step 17 if you have purchased the upgraded felt, the base layer is not required.

- a** Cut the Sand Felt (No. 20) into four sheets measuring:  
 1 x 2400mm (L) x 1000mm (W)  
 1 x 3900mm (L) x 1000mm (W)  
 1 x 4310mm (L) x 1000mm (W).  
 1 x 3140mm (L) x 1000mm (W).

With the 4310mm (L) x 1000mm (W) sheet, trim a corner off to create a 600mm (L) x 300mm (W) triangle sheet, as shown.

Lay the sheets onto the roof in the order shown, starting with the 600x300mm off-cut as the first sheet laid at the back, then the remaining four sheets (No. 20) in the order shown. Ensure the sheets overlap each other by 100mm.

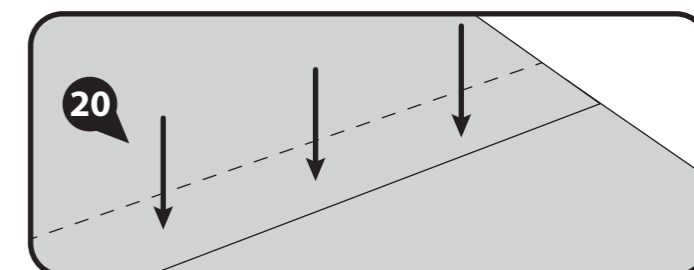
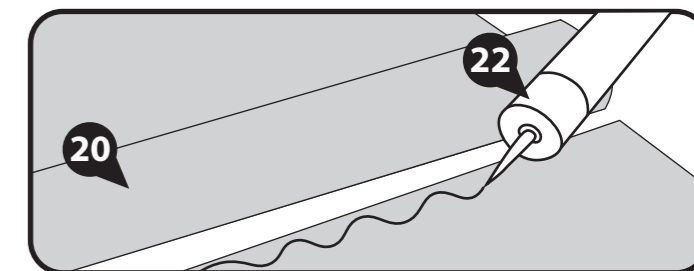
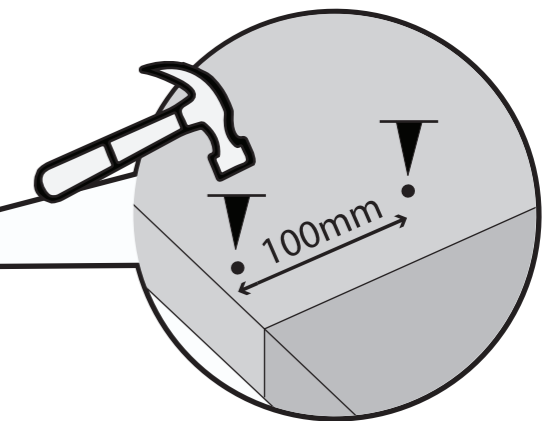
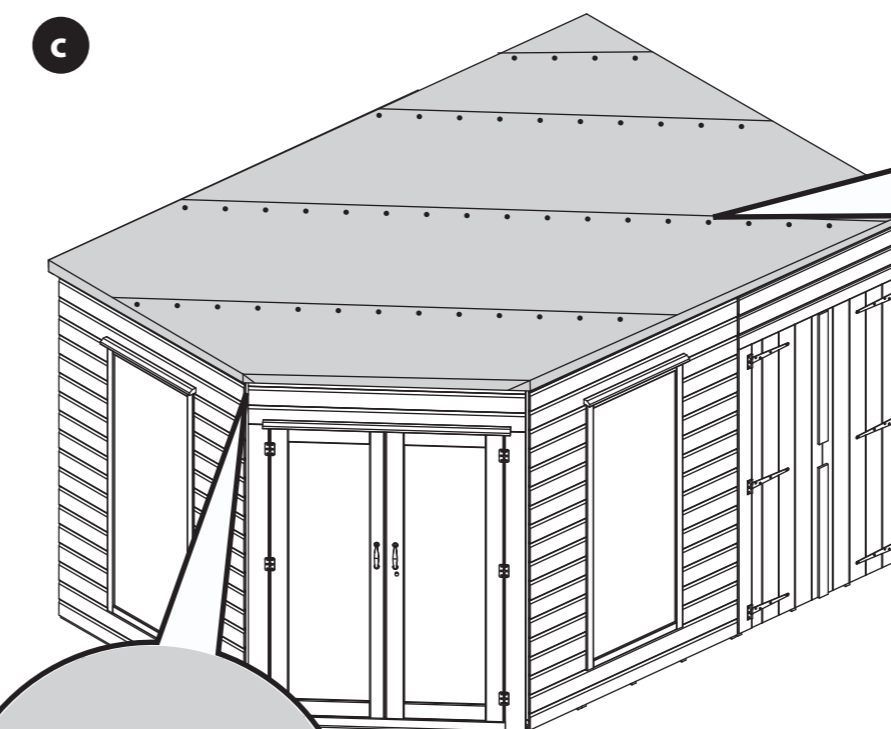
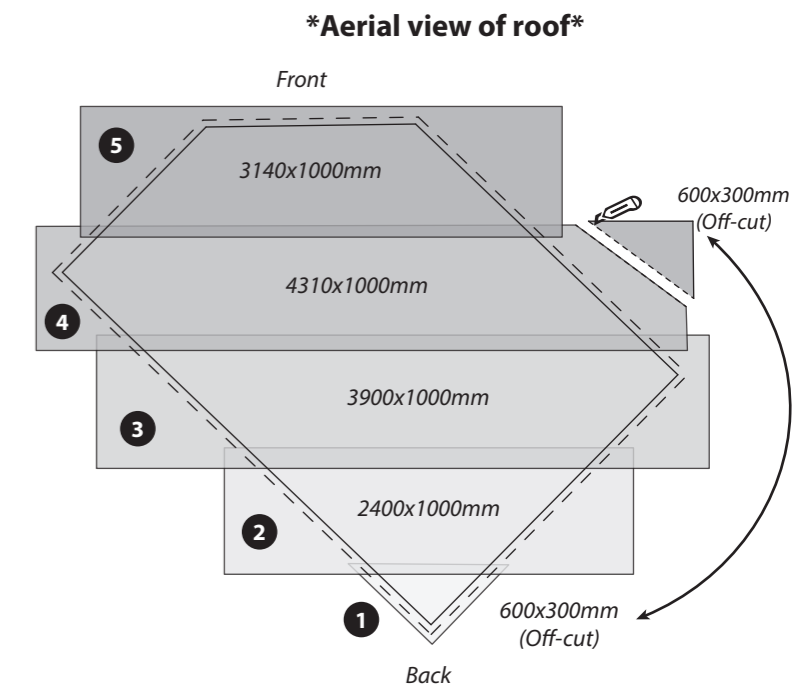
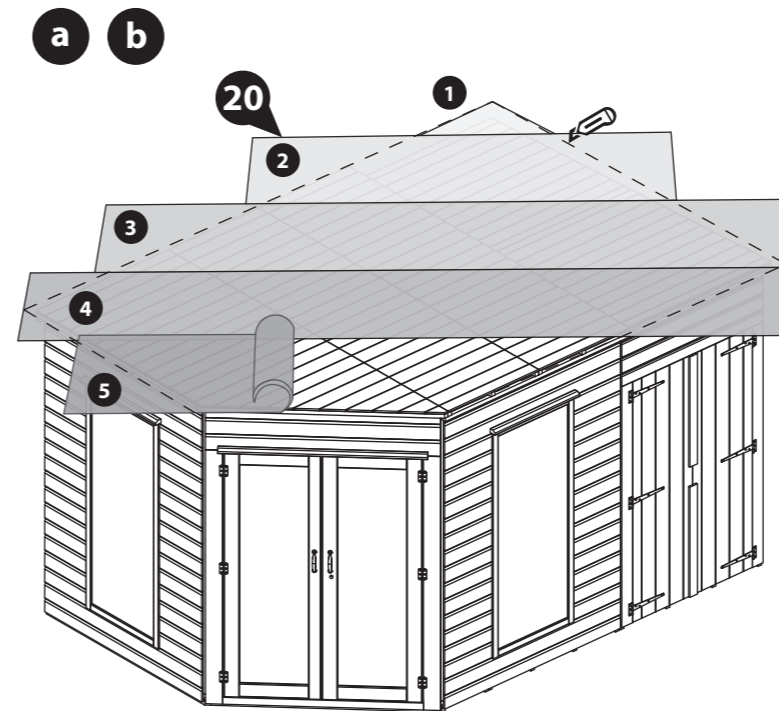
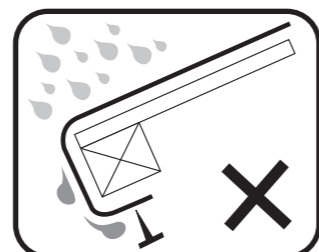
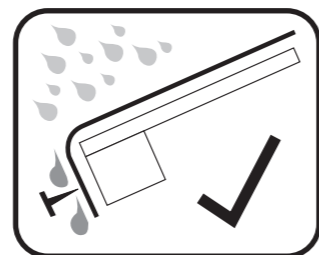
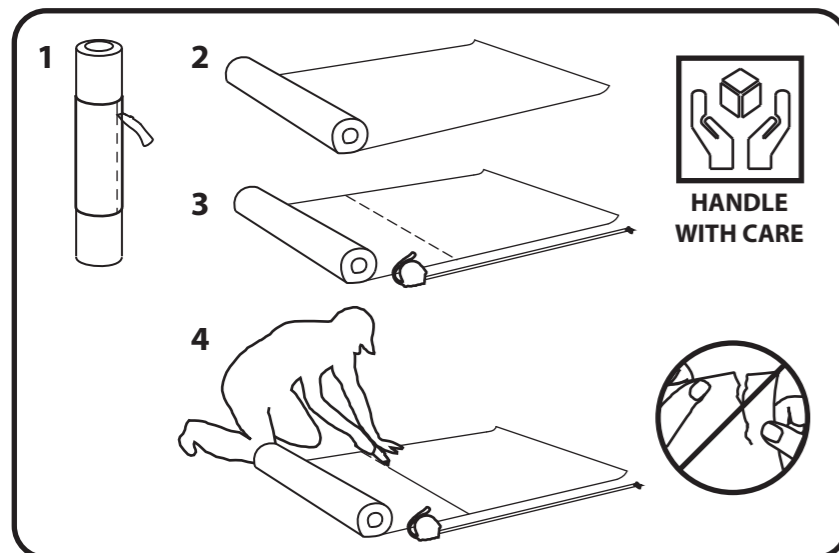
- b** Once the roof sheets are aligned, cut the sheets down to the individual shape of the roof, as shown. When cutting, ensure to leave a 50mm overhang on each side. You can use a Fascia as a guide to ensure a neat, straight line is cut.

- c** To ensure a complete bond between the sheets, apply the Butyl (No. 22) between each overlapping layer, as shown in the image. Ensure to apply the Butyl using a sealant application gun and in a 'wiggly' line for the best finish. Once applied, compact the layers to seal.

At each corner, fold the felt over each other so they sit on the front and backs of the building, as shown.

Secure the felt in place by hammering felt tacks into the overlapping layers, the front, back and sides of the building at 100mm intervals, as shown.

150 x Felt Tacks



# Step 17

Parts Needed - No. 21 QTY 2  
No. 22 QTY 1

\* If you have purchased upgraded felt, follow this step using the felt provided.

- a** Cut the Green Felt (No. 21) into five sheets measuring:
  - 1 x 1735mm (L) x 1000mm (W)
  - 1 x 3535mm (L) x 1000mm (W)
  - 1 x 4525mm (L) x 1000mm (W)
  - 1 x 3820mm (L) x 1000mm (W)
  - 1 x 2120mm (L) x 1000mm (W)

Lay the sheets onto the roof in the order shown in the diagram labeled 1 - 5. Ensure the sheets overlap each other by 100mm.

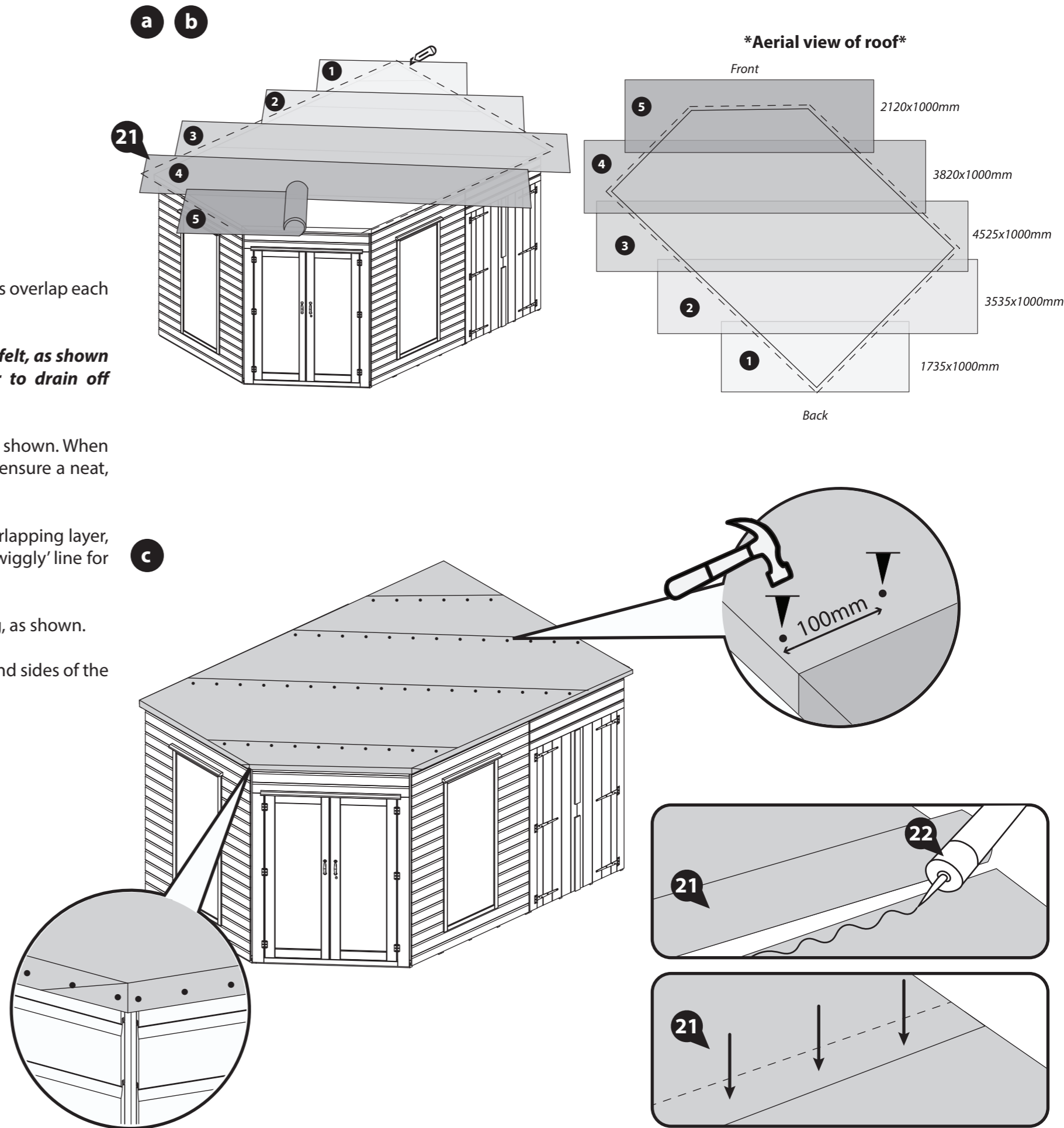
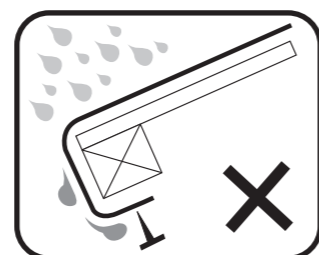
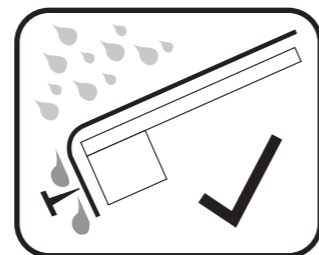
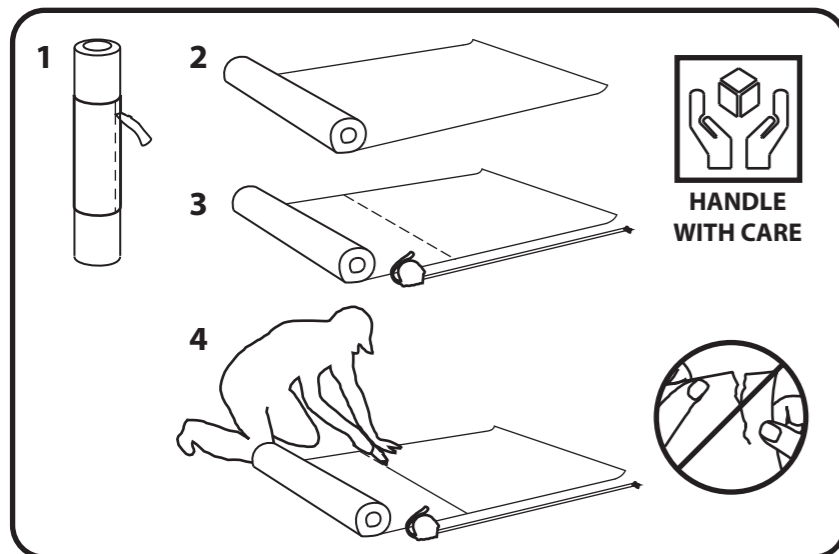
**\*\*Make sure that where the Green felt layers overlap is offset to the previously laid Sand felt, as shown in the diagram. This will ensure the felt can be secured correctly and allows water to drain off efficiently.\*\***

- b** Once the roof sheets are aligned, cut the sheets down to the individual shape of the roof, as shown. When cutting, ensure to leave a 50mm overhang on each side. You can use a Fascia as a guide to ensure a neat, straight line is cut.
- c** To ensure a complete bond between the sheets, apply the Butyl (No. 22) between each overlapping layer, as shown in the image. Ensure to apply the Butyl using a sealant application gun and in a 'wiggly' line for the best finish. Once applied, compact the layers to seal.

At each corner, fold the felt over each other so they sit on the front and backs of the building, as shown.

Secure the felt in place by hammering felt tacks into the overlapping layers, the front, back and sides of the building at 100mm intervals, as shown.

200 x Felt Tacks



## Step 18

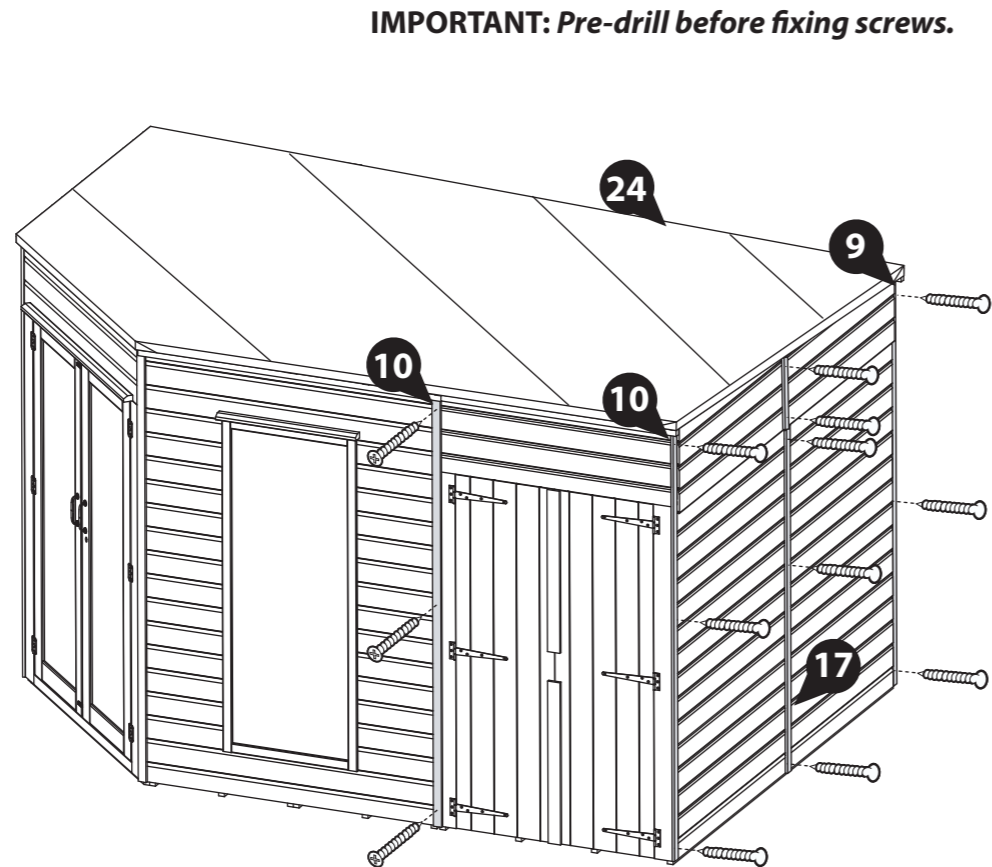
Parts Needed - No. 9 QTY 1  
No. 10 QTY 2

Locate the Cover Trims (No. 9 & 10) plus the remaining cover trims from the 8x8 Corner Summerhouse (No. 17 & 24) into place over the corners of the buildings and panel joins, as shown.

Secure in place using 3x40mm screws per Trim.

One of the Cover Trims will need to be cut to fit over the gables and side panels.

15x40mm Screws



## Step 19

Parts Needed - No. 11 QTY 1  
No. 20 QTY 4  
(From the summerhouse contents)

**a** Measure the distances along the back sides of the building using a tape measure, as shown (1 and 2).

**b** For measurement 1, half the measurement and mark the new total onto two Fascias (No. 20 from the summerhouse contents) and cut to size.

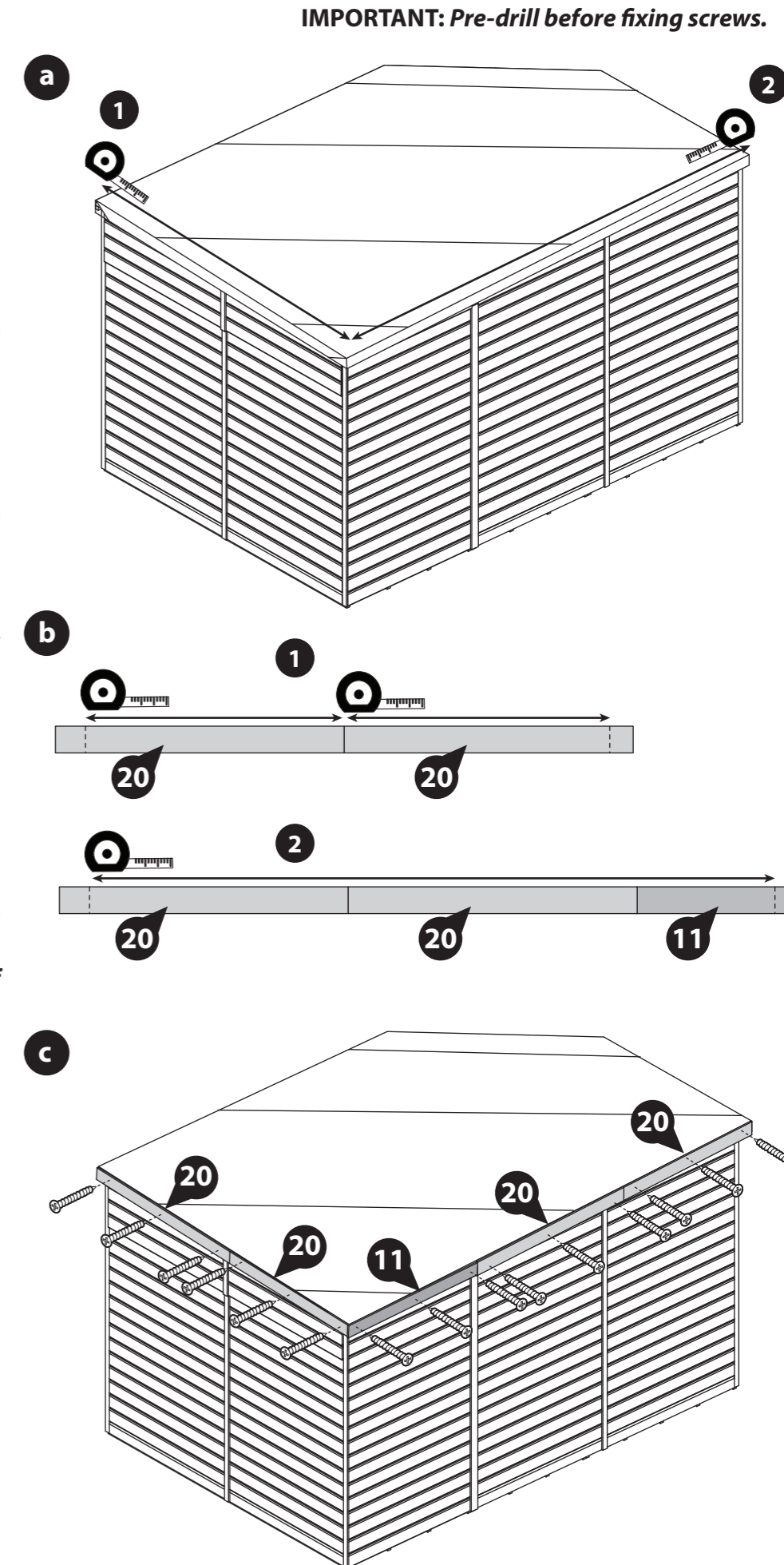
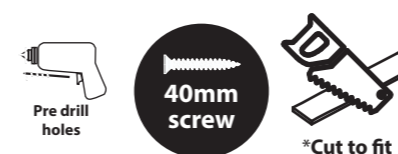
For measurement 2, lay the remaining two side Fascias (No. 20 from the summerhouse contents) and one Shed Fascia (No. 11) onto a flat surface and mark the measurement equally across the three Fascias and cut to size, as shown.

**c** Locate the cut down Fascias onto the sides and back of the building, ensuring to trap the felt between the Fascias and the roof.

**Make sure that the back Fascias sit below the top of the roof to ensure the water drains off correctly.**

Secure the Fascias in place using 3x40mm screws per Fascia.

15x40mm Screws



## Step 20

Parts Needed - No. 11 QTY 1  
No. 21 QTY 3

(From the summerhouse contents)

**a** Measure the distances across the front and sides of the building using a tape measure, as shown (1, 2 and 3).

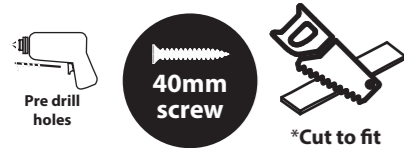
**b** Mark measurements 1 and 2 onto two Summerhouse Fascias (No. 21 from the 8x8 summerhouse contents) and cut to size.

For measurement 3, lay the remaining summerhouse Fascia (No. 21 from the summerhouse contents) and one Shed Fascia (No.11) onto a flat surface and mark the measurement equally across the two Fascias and cut to size, as shown.

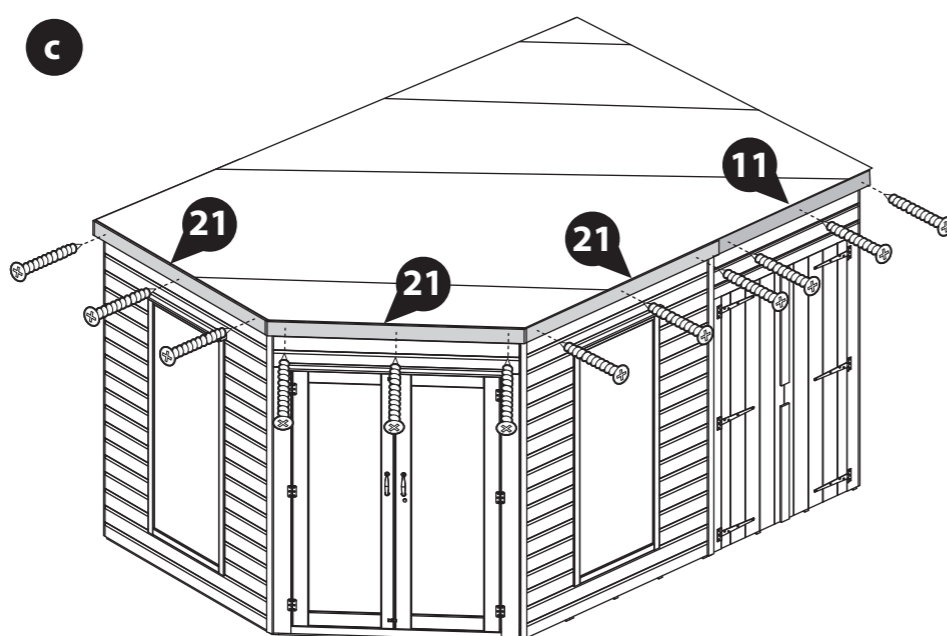
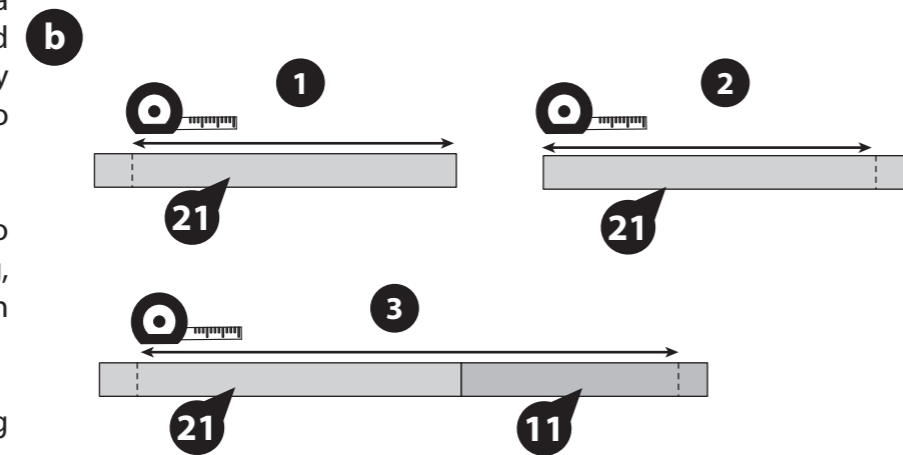
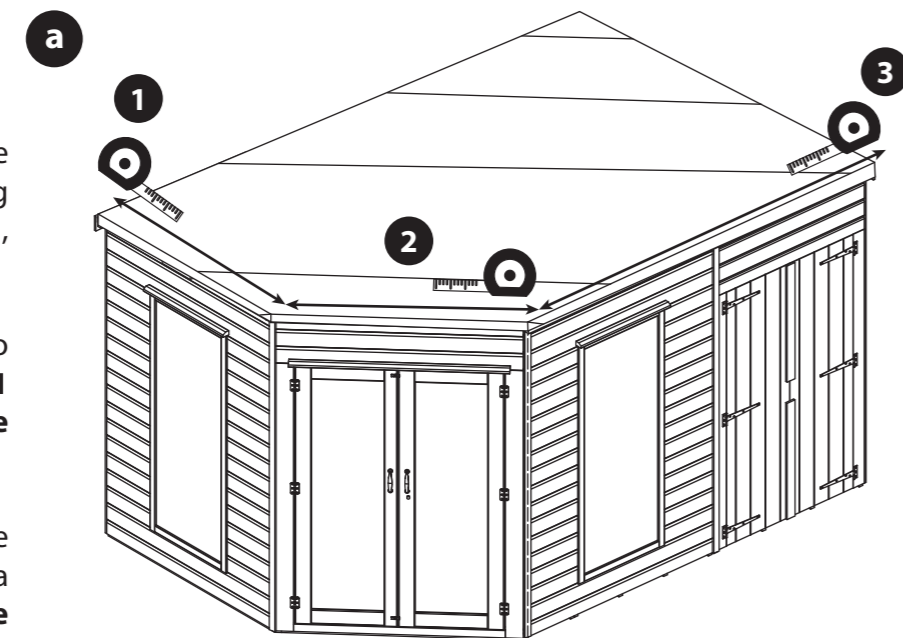
**c** Locate the cut down Fascias onto the front and sides of the building, ensuring to trap the felt between the Fascias and the roof.

Secure the Fascias in place using 3x40mm screws per Fascia.

12x40mm Screws



**IMPORTANT: Pre-drill before fixing screws.**



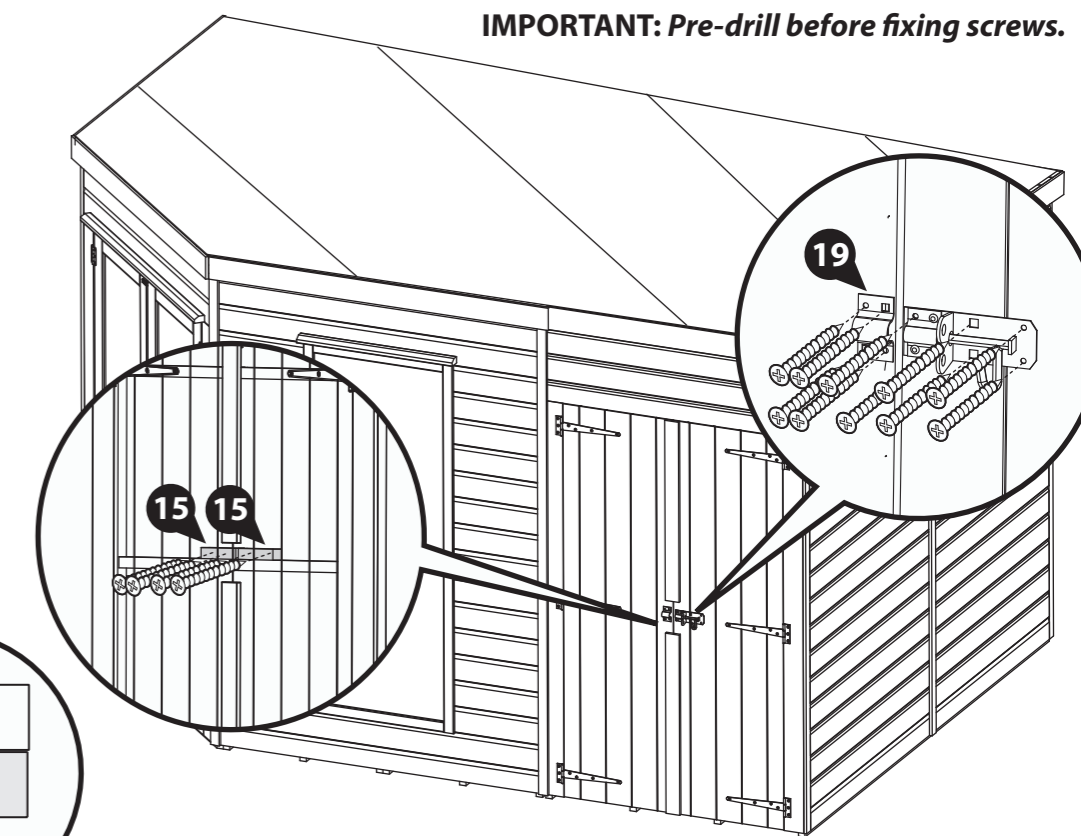
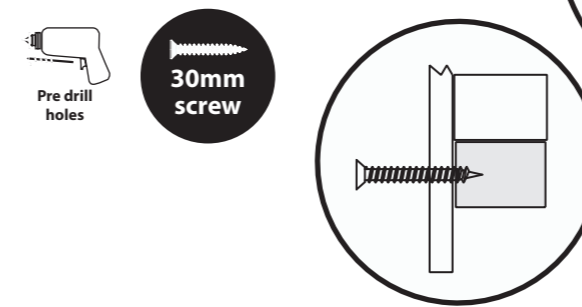
## Step 21

Parts Needed- No. 15 QTY 2  
No. 19 QTY 1

Fix two Door blocks (No. 15) to the back of the Doors (internally) with 2x30mm screws per block going through the front of the door boards and into the block behind.

Fix the Pad Bolt (No. 19) to one of the Doors (No. 6) using 12x30mm screws.

16x30mm Screws



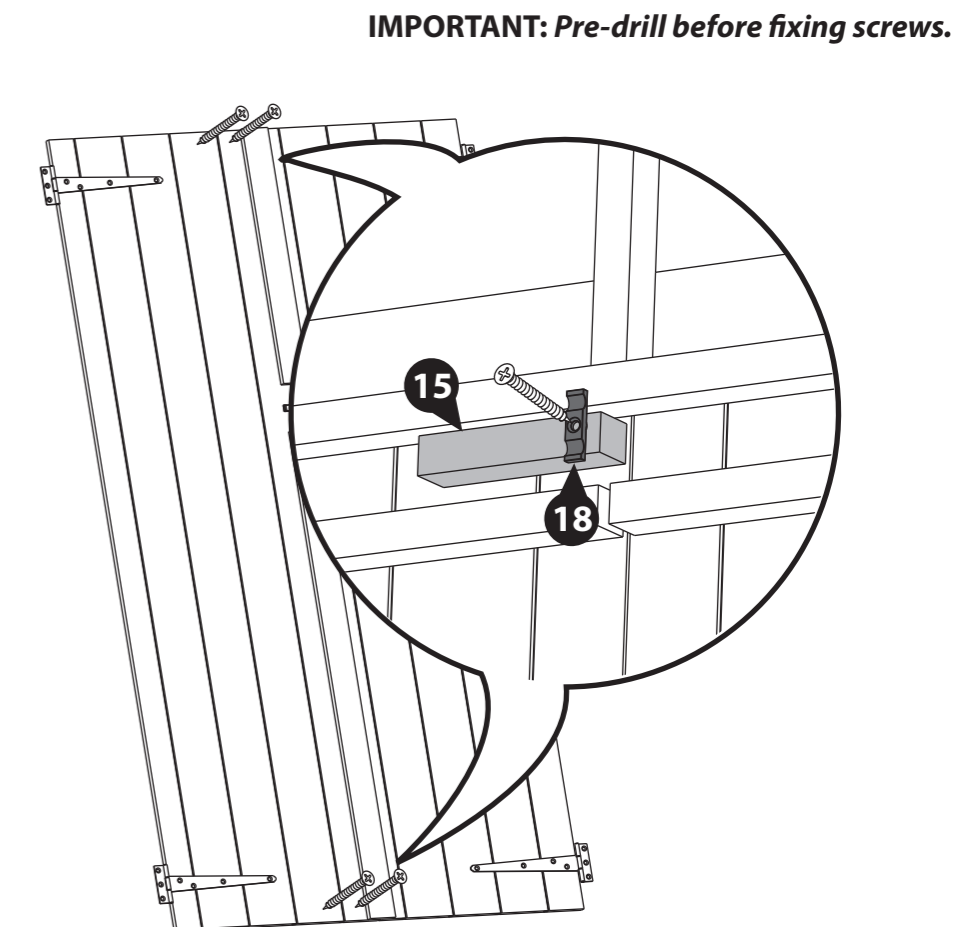
## Step 22

Parts Needed - No. 15 QTY 2  
No. 18 QTY 2

Fix the Door blocks (No. 15) to the top and bottom of the Doors (internally) with 2x30mm screws per block going through the front of the door boards and into the block behind

Fix one Turn Button (No. 18) to each of the Door blocks (No. 15) using 1x30mm screw per turn button.

6x30mm Screws



**IMPORTANT: Pre-drill before fixing screws.**

## Step 23

Parts needed - No. 18 QTY 2

Fix the Turn Buttons (No. 18) above each of the Doors using 1x30mm screw per turn button.

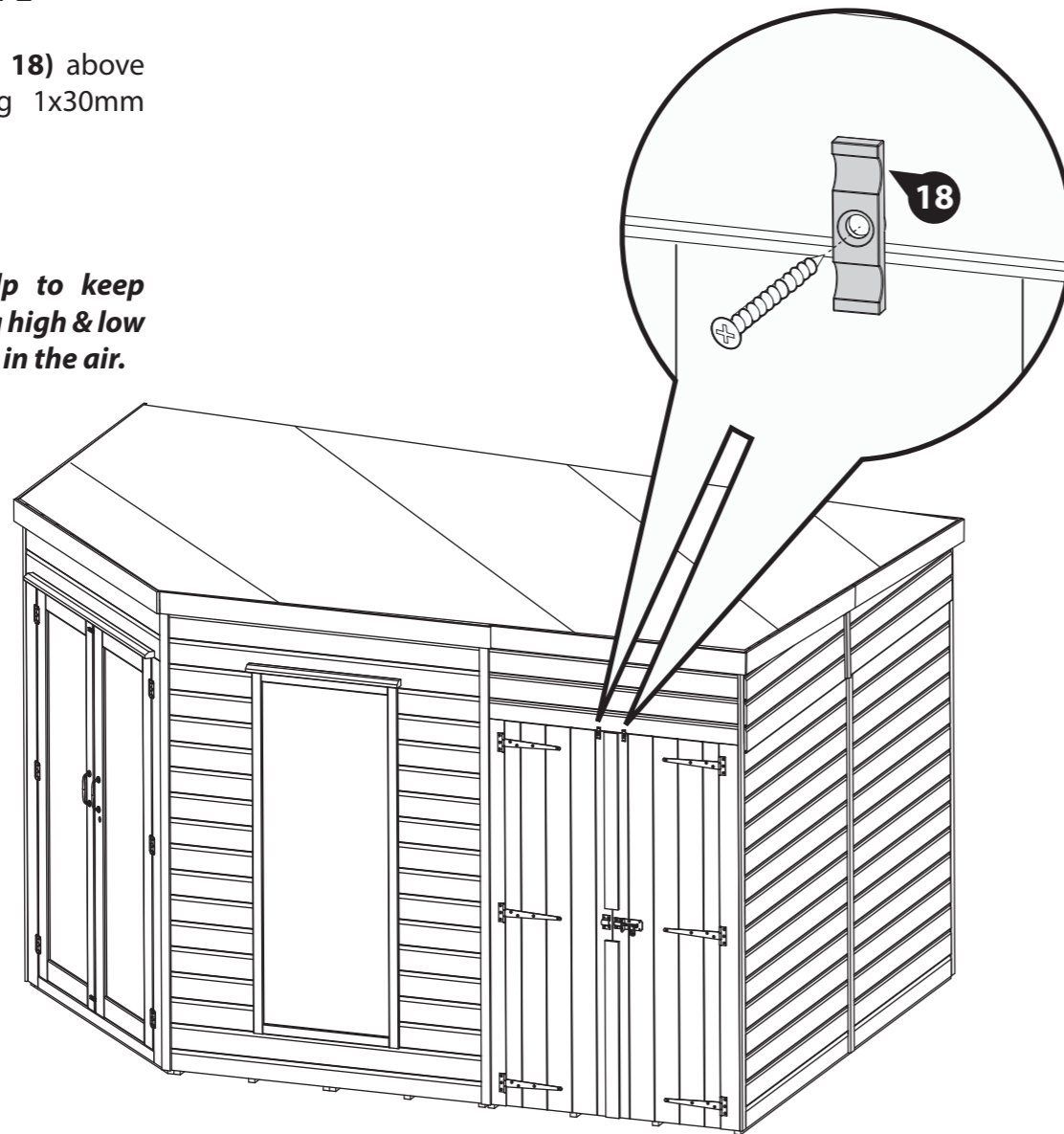
2x30mm Screws

\*These turn buttons help to keep your doors straight during high & low levels of moisture content in the air.



30mm screw

**IMPORTANT: Pre-drill before fixing screws.**



## Step 24

Once constructed, apply a preserving treatment and a waterproofing treatment to your garden building as soon as possible. This will help to protect your building and prevent decay.

See page 15 for a full guide and instructions.

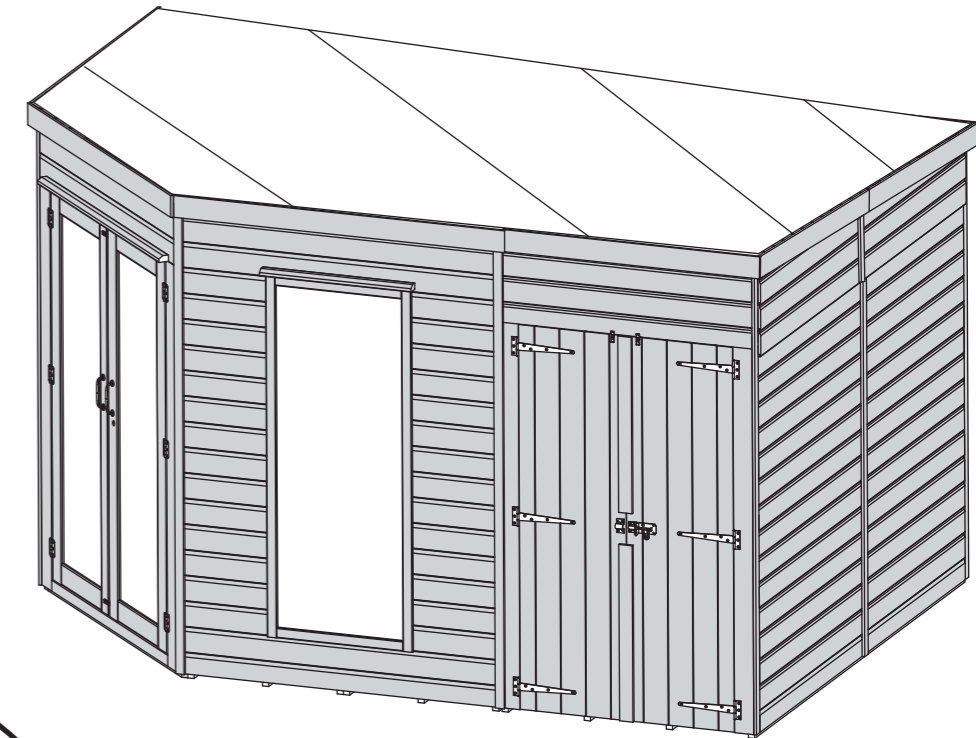
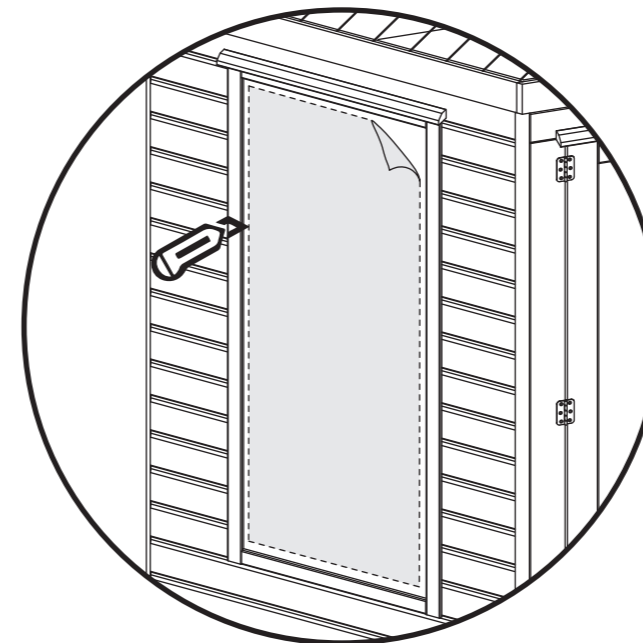
Once fully treated, score around the protective covers on the glazing and carefully peel the coverings back.



Apply treatment.



Score and peel.



## LEAVE US A REVIEW...



Want to share your experience with us?  
Leave us a review on Feefo, TrustPilot or Google.

Your reviews help other people find and trust our business, as well as helping to play an important role in our growth and improvement!

## 1 Perimeter

Check around the perimeter of your product to ensure there are not trees or plants that are in contact with or overhanging the building. This can affect airflow and overhanging trees, or branches can damage the roof, it is advised to keep plants at a distance.

## 2 Repair

Inspect the interior and exterior of the product to look for splits, cracks, and holes. Although this is a natural occurrence it can be prevented. A wood filler can be used to close the splits, cracks, and holes.

## 3 Roof

Check your roof regularly for tears, splits, damaged wood and fallen debris. If you notice any of this immediate repair is critical.

## 4 Doors & Windows

Expansion and contraction can cause doors and windows to stick or become difficult to open. Small adjustments to the hinge position can be made to the doors and windows to allow free movement.

## 5 Oil

Hinges can seize up over time, apply lubricant to the hinges and locks annually.

## 6 Screws & Bolts

It is advised to check all screws and bolts and tighten any loose you might find. For log cabins specifically the storm braces will require loosening. During humidity and temperature changes (seasons) to allow expansion and contraction to prevent gaping, twisting, popping, and warping.

## 7 Wash

At least once a year, give the outside of your building a good wash, to remove cobwebs, leaves, or any other dirt that may accumulate on the exterior.

## 8 Airing

Airing your product regularly prevents the build up of condensation which can cause the timber to warp, bow, boards to pop, distortion, rot and mould. Condensation can build up over time or daily, it is caused by a rise and fall in temperature.

Excessive moisture levels within your building can cause water to collect on the roofs, walls and floors internally. Leaving doors and windows open regularly can help combat the natural moisture build up.

## 9 Clean & Tidy

It is good practice to clean the inside and outside of your product regularly. Clear out the contents, sweep the floor, remove dirt and cobwebs. Check for areas of damp and investigate the cause to remove and prevent future occurrences. Check the ground around your product for build up of debris such as leaves, remove and ensure there is clear ventilation underneath the floor.

### Additional Playhouse Maintenance:

It is recommended that the following checks and maintenance are carried out at the beginning of each season as well as at regular intervals during the usage season.

- Check all nuts /bolts/ screws for tightness and tighten when required.
- Check for movement / opening of wood giving rise to protrusion of nail heads and tips.
- Check hinges.
- Replace defective parts in accordance with the manufacturers instructions.
- Check any crossbeams, suspensions and anchors.
- If a swing is included; check the swing seat, chains and ropes.

**IF THESE CHECKS ARE NOT CARRIED OUT THE ACTIVITY TOY COULD BECOME A HAZARD**

## 1 Perimeter

Check around the perimeter of your product to ensure there are not trees or plants that are in contact with or overhanging the building. This can affect airflow and overhanging trees, or branches can damage the roof, it is advised to keep plants at a distance.

## 2 Repair

Inspect the interior and exterior of the product to look for splits, cracks, and holes. Although this is a natural occurrence it can be prevented. A wood filler can be used to close the splits, cracks, and holes.

## 3 Roof

Check your roof regularly for tears, splits, damaged wood and fallen debris. If you notice any of this immediate repair is critical.

## 4 Doors & Windows

Expansion and contraction can cause doors and windows to stick or become difficult to open. Small adjustments to the hinge position can be made to the doors and windows to allow free movement.

## 5 Oil

Hinges can seize up over time, apply lubricant to the hinges and locks annually.

## 6 Screws & Bolts

It is advised to check all screws and bolts and tighten any loose you might find. For log cabins specifically the storm braces will require loosening. During humidity and temperature changes (seasons) to allow expansion and contraction to prevent gaping, twisting, popping, and warping.

## 7 Wash

At least once a year, give the outside of your building a good wash, to remove cobwebs, leaves, or any other dirt that may accumulate on the exterior.

## 8 Airing

Airing your product regularly prevents the build up of condensation which can cause the timber to warp, bow, boards to pop, distortion, rot and mould. Condensation can build up over time or daily, it is caused by a rise and fall in temperature.

Excessive moisture levels within your building can cause water to collect on the roofs, walls and floors internally. Leaving doors and windows open regularly can help combat the natural moisture build up.

## 9 Clean & Tidy

It is good practice to clean the inside and outside of your product regularly. Clear out the contents, sweep the floor, remove dirt and cobwebs. Check for areas of damp and investigate the cause to remove and prevent future occurrences. Check the ground around your product for build up of debris such as leaves, remove and ensure there is clear ventilation underneath the floor.

### Additional Playhouse Maintenance:

It is recommended that the following checks and maintenance are carried out at the beginning of each season as well as at regular intervals during the usage season.

- Check all nuts /bolts/ screws for tightness and tighten when required.
- Check for movement / opening of wood giving rise to protrusion of nail heads and tips.
- Check hinges.
- Replace defective parts in accordance with the manufacturers instructions.
- Check any crossbeams, suspensions and anchors.
- If a swing is included; check the swing seat, chains and ropes.

**IF THESE CHECKS ARE NOT CARRIED OUT THE ACTIVITY TOY COULD BECOME A HAZARD**



All our garden buildings have been designed and manufactured with care and attention to be the perfect addition to your outdoor space. To ensure you do get the best out of your new garden building and to increase the longevity we advise that you follow the product instructions and our manufacturer's recommendations as detailed below. Thank you for choosing a Mercia Garden product!

## 1 Choosing the most suitable location for your garden building...

A minimum of 60cm should be left around the perimeter of your garden building to allow access for maintenance, annual treatment and to allow air flow around the building.

Where possible you should avoid placing your garden building underneath large trees to prevent the tree causing damage to the building.

## 2 Preparing the base for your garden building...

All our buildings must be built on a firm, level base to ensure the longevity of the building and prevent the wood from distorting. We recommend either concrete, concrete slabs or a wooden base, such as our 'Portabase'.

The base should be slightly smaller than the external measurement of the building, i.e. the cladding should overlap the base, creating a run off for water and preventing water from pooling underneath the building.

We also recommend that the floor of the garden building is a minimum of 25mm above the surrounding ground level to avoid flooding.

## 3 After installation...

Once your garden building has been installed, it will need to be treated within 14 days (weather permitting) and annually to prevent the timber from deteriorating and to waterproof it. This is required to maintain the anti-rot guarantee.

Dip Treated buildings - Require a preservative treatment to protect against rot and decay and a waterproof treatment to prevent water ingress.

Pressure Treated buildings - Require a waterproof treatment to prevent water ingress.

Log Cabins/Insulated Garden Rooms - Are supplied untreated and require a preservative and waterproofing treatment.

We also recommend using a silicon sealant on the inside and outside of the windows as soon as possible after assembly and treatment to fully seal the windows.

Roofing felt/covering should be checked annually and replaced or fixed accordingly.

## 4 General maintenance and wood characteristics

As wood is a natural material it may be affected by the following:

Shrinkage and warping - The timber used in the construction of your garden building will have retained some of its natural moisture content. The moisture content of the timber will vary, depending upon prevailing environmental conditions, which will result in the components either naturally expanding or contracting. As the components dry out, shrinkage may occur. A good waterproofing treatment from the start is the best protection to minimise the effect of moisture loss/intake.

In extended periods of very warm weather getting some moisture to the building will help the overall balance. You can do this by spraying it down lightly with a garden hose. In contrast, after snow fall try to remove the snow as best as possible from the roof to prevent moisture intake and to remove the extra weight.

**Top tip** - using a garden brush will help you to reach the highest part of the building to remove snow and any debris left from bad weather.

Damp and mould - During the winter months, cold and damp conditions can result in an increased amount of moisture within your garden building, especially when used infrequently. Condensation can form on the timber and other items stored within your garden building. If left this moisture is likely to cause mould and mildew.

To prevent the build-up of moisture, we recommend leaving the door or windows of your building open from time to time, to allow the fresh air to circulate. We also advise against storing wet or damp items in your garden building as this will also increase the level of moisture in the building. If mould or mildew does start to form within your building we recommend using an anti-mould cleaner to remove it and to prevent it spreading, which if left untreated could permanently damage your garden building.

Splits, cracks and knots - You may notice small splits and cracks in some components or holes may appear where knots shrink and fall out. This will not affect the structure of your Garden building however, if you wish to fill them this can be easily done using any good quality wood filler.

Sap - is naturally occurring in wood and may appear in some boards of your garden building. If you wish to remove the sap, we advise waiting until it is dry and then using a sharp knife to carefully remove it. If the removal of the sap causes a hole in the timber, we recommend using a good quality wood filler to fill it.

For more handy hints and tips on how to care and maintain your garden building please refer to the MGP Customer Portal at [www.mgplogistics.co.uk](http://www.mgplogistics.co.uk)



### Any further questions?

Contact our Customer Service Team via the MGP Customer Portal at: [www.mgplogistics.co.uk](http://www.mgplogistics.co.uk)

## 1

### Manufacturer's Warranty

All Mercia Garden Products are supplied with a 1 year warranty on all parts against manufacturing defects.

This warranty does not cover movement, warping or splitting of timber products over time.

This warranty will be voided if any of the following occur:

1. The building has been customised or modified/adapted in any way.
2. The person claiming is not the original purchaser of the building.
3. Any damage has been caused by or as a result of misuse.
4. The building has not been maintained and cared for in accordance to our advisories and manufacturer's recommendations.
5. The building has not been treated annually or as per the manufacturer's recommendations, please ensure receipts are kept to validate this claim.
6. The building has not been erected, fitted or installed as per the supplier instructions.
7. The building has not been erected on a suitable sized firm flat, solid level concrete/slab base or placed on pressure treated bearers.
8. The building is or has been placed with 2 feet (600mm) of any obstructions (walls, trees, plants, fences etc.) which can allow moisture to penetrate the timber.
9. The roofing felt has been incorrectly fitted or damaged, allowing water ingress, or has not been properly maintained.
10. Any windows and joints have not been sealed, inside and out, with silicone or other watertight sealant.
11. Any timber has been cut, pierced or drilled without subsequent application of approved cut-end treatment.

REGISTER FOR YOUR  
**10 YEAR**  
**ANTI-ROT**  
GUARANTEE TODAY



[www.mgplogistics.co.uk](http://www.mgplogistics.co.uk)

## 2

### Anti-rot Guarantee

Mercia Garden Products offer a 10 year anti-rot guarantee on all dip treated (a preparatory treatment) and 15 years on all pressure treated products. This guarantee covers solid timber against rot, decay, blue stain and insect attacks.

To validate the guarantee, the building must be treated (as detailed within manufacturer's recommendations) within 14 days (weather permitting) of assembly and annually thereafter.

This guarantee does not cover movement, warping or splitting of timber products over time.

This guarantee will be voided if any of the following occur:

1. The building has been customised or modified/adapted in any way.
2. The person claiming is not the original purchaser of the building.
3. Any damage is caused by or as a result of misuse.
4. The building has not been maintained and cared for in accordance to our advisories and manufacturer's recommendations.
5. The building has not been treated annually or as per the manufacturer's recommendations, please ensure receipts are kept to validate this claim.
6. The building has not been erected, fitted or installed as per the supplier instructions.
7. The building has not been erected on a suitable sized firm flat, solid level concrete/slab base or placed on pressure treated bearers.
8. The building is or has been placed with 600mm of any obstructions (walls, trees, plants, fences etc.) which can allow moisture to penetrate the timber.
9. The roofing felt has been incorrectly fitted or damaged allowing water ingress, or has not been properly maintained.
10. Any windows and joints have not been sealed, inside and out, with silicone or other watertight sealant.
11. Any timber has been cut, pierced or drilled without subsequent application of approved cut-end treatment.