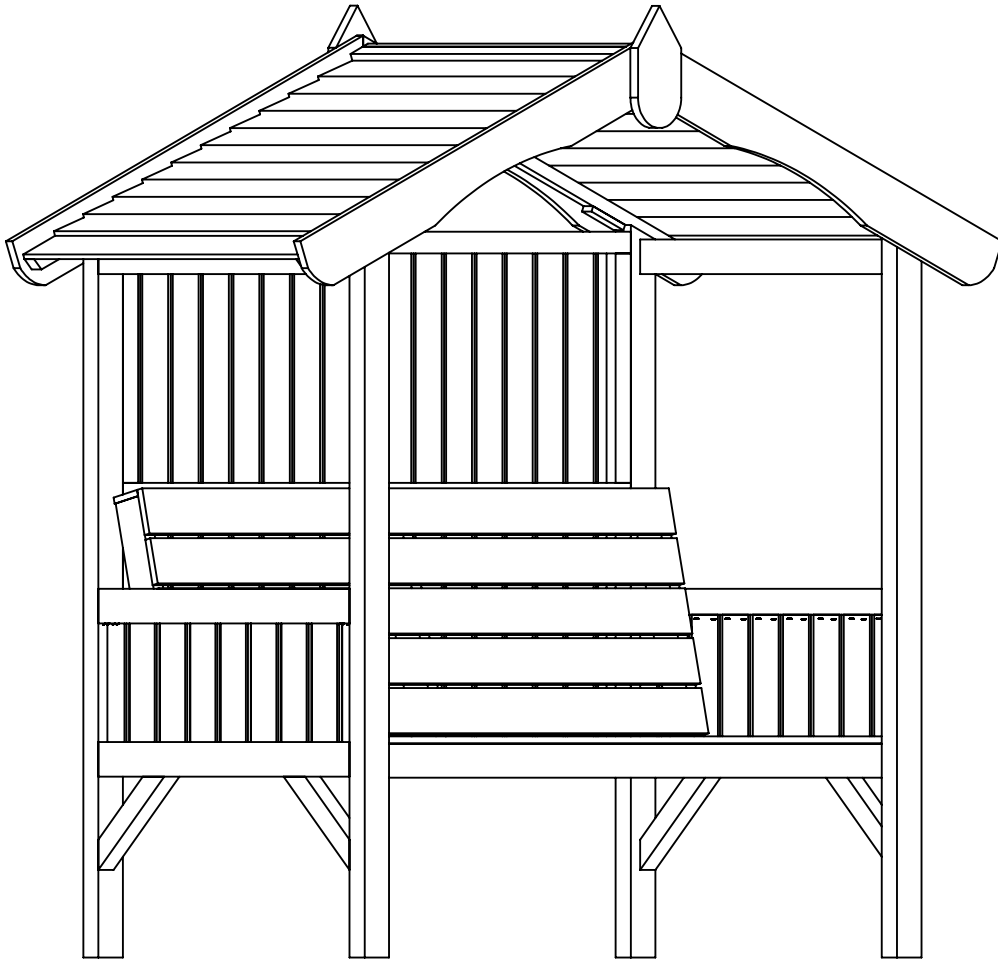


CARLTON ARBOUR

ESDXL21PT050



Assembly Instructions

For assistance please contact
customer care on
01636821215

Mercia Garden Products Ltd
Old Great North Road
Sutton on Trent
Newark
Nottinghamshire
NG23 6QN

www.merciagardenproducts.co.uk

ASSEMBLY INSTRUCTIONS

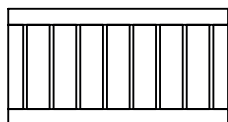
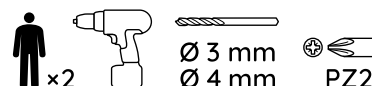
ESDXL21PT050

Before assembly.

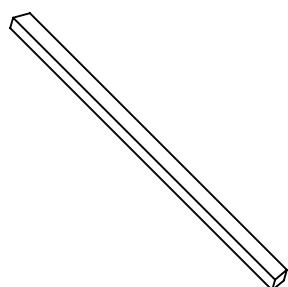
- We recommend that time is taken to read the instructions before starting assembly, then follow the easy step by step guide. The instruction sheet is only a guide to the assembly. Certain items may not be shown to scale.
- Check all components prior to assembly.
- Drill all screw locations where indicated.
- This product should be assembled by no fewer than two people.
- Never attempt to erect the assembly in high winds.

Recommended tools for assembly:

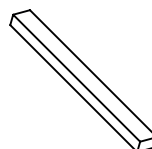
- Drill with 3 & 4 mm diameter drill bit
- Cross-head screwdriver
- Tape measure
- Step ladder



① 44 x 385 x 727 mm
2 pcs



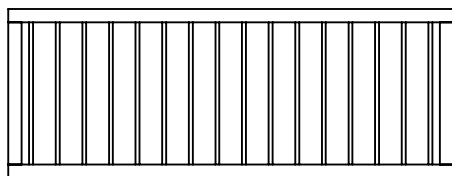
② 44 x 68 x 1500 mm
4 pcs



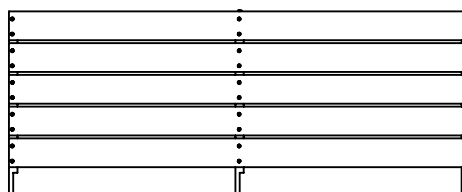
③ 44 x 68 x 727 mm
2 pcs



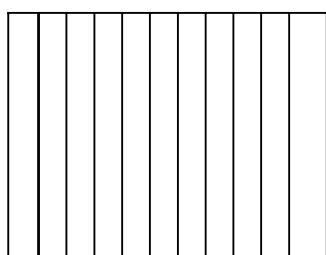
④ 44 x 44 x 270 mm
4 pcs



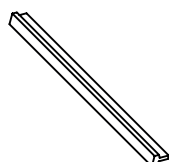
⑤ 44 x 558 x 1471 mm
2 pcs



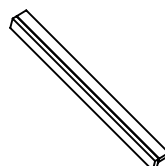
⑥ 85 x 603 x 1525 mm
2 pcs



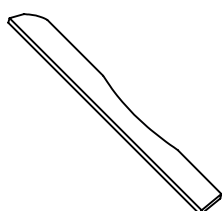
⑦ 60 x 815 x 1050 mm
2 pcs



⑧ 44 x 63 x 815 mm
1 pc



⑨ 38 x 79 x 815 mm
1 pc



⑩ 15 x 95 x 1100 mm
4 pcs



⑪ 2 pcs



Bolts & T-nuts
6 pcs

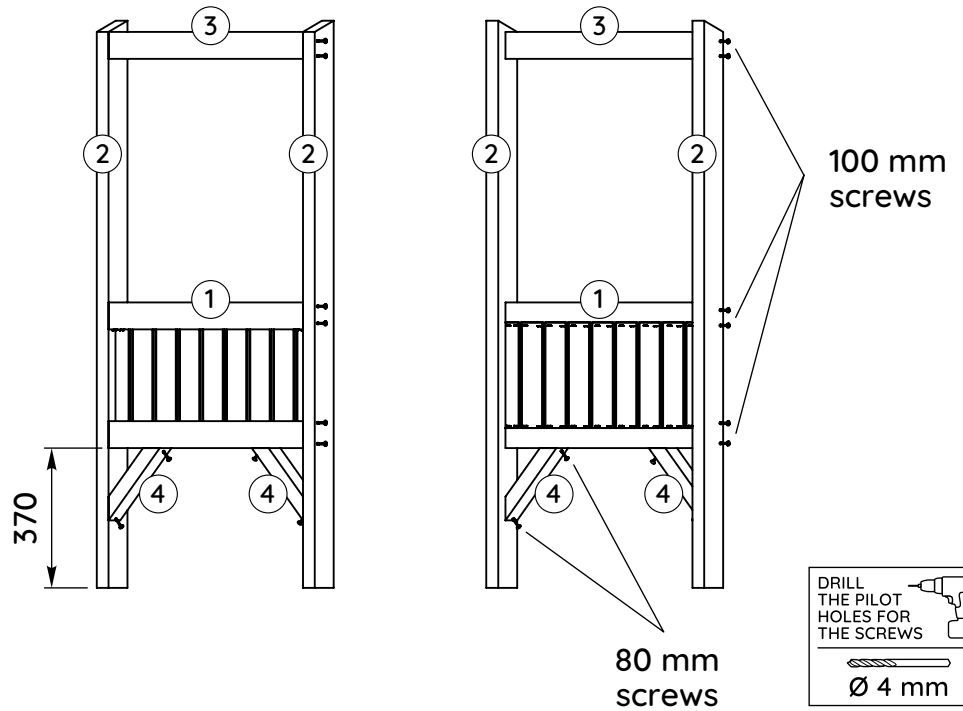
Fixing kit	Qty
100 mm screws *	24
80 mm screws *	30
60 mm screws *	14
35 mm screws *	34

* Drilling the pilot holes is necessary

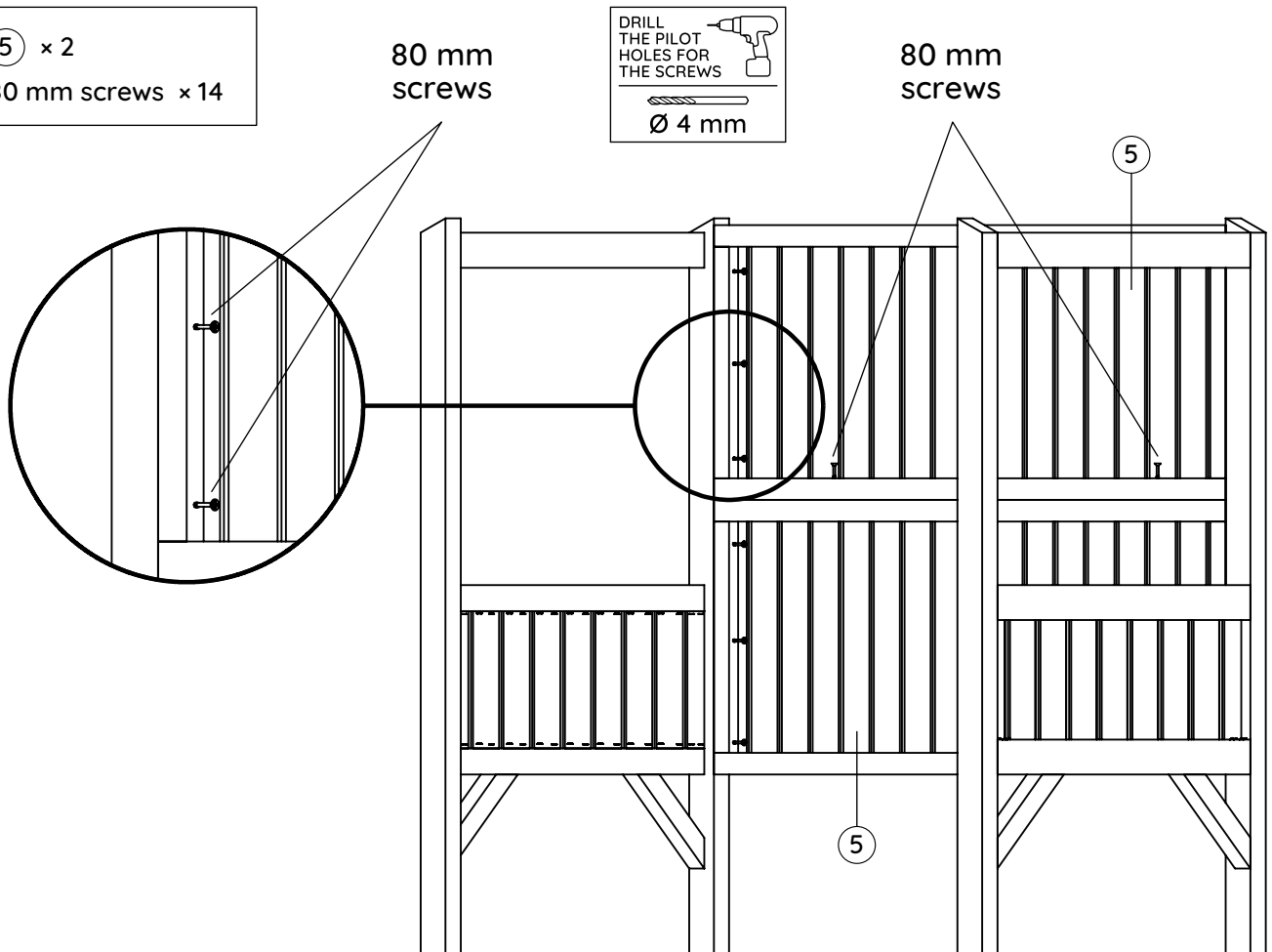
ASSEMBLY INSTRUCTIONS

ESDXL21PT050

- ① × 2
- ② × 4
- ③ × 2
- ④ × 4
- 100 mm screws × 24
- 80 mm screws × 8



- ⑤ × 2
- 80 mm screws × 14

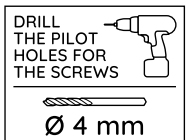
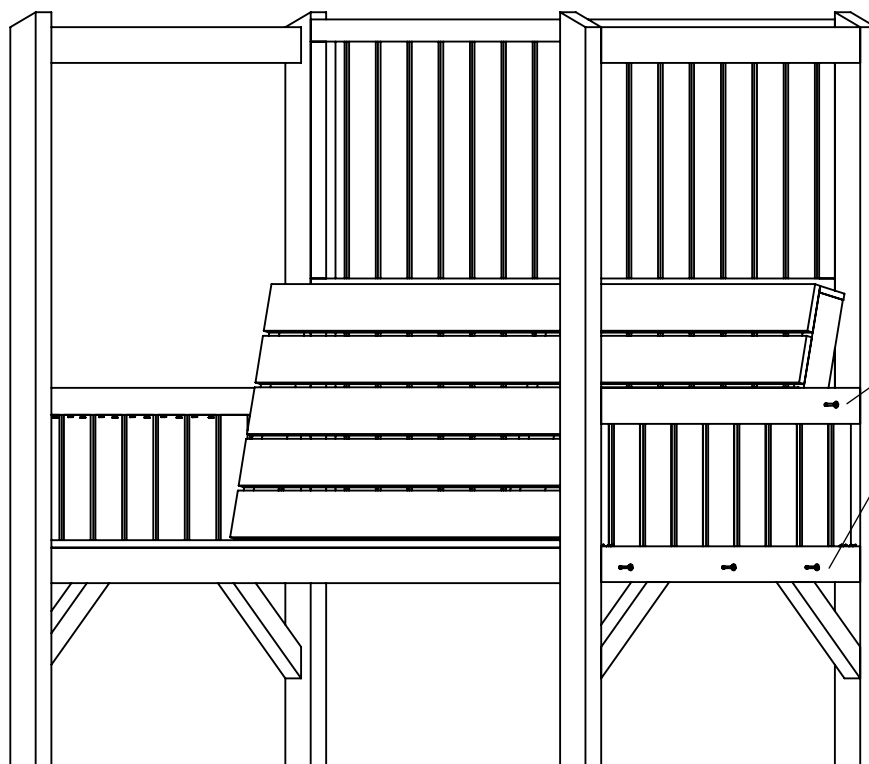
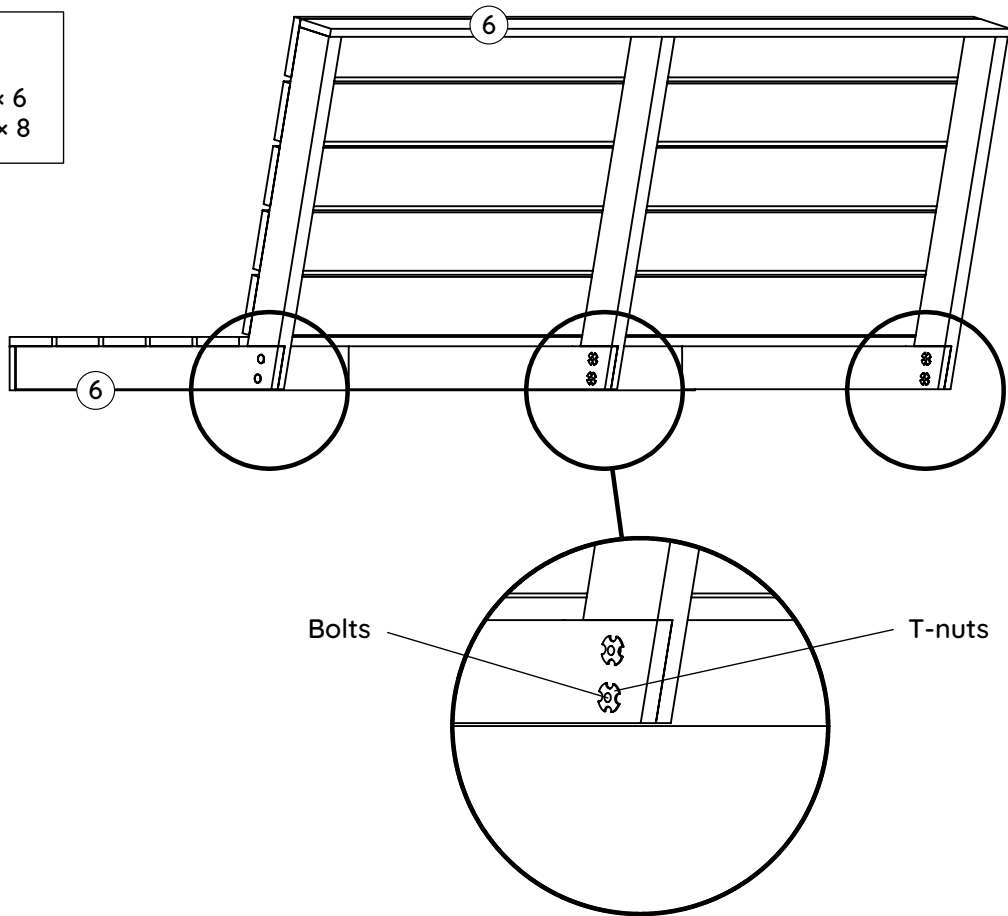


ASSEMBLY INSTRUCTIONS

ESDXL21PT050

⑥ × 2

Bolts & T-nuts × 6
80 mm screws × 8



80 mm
screws

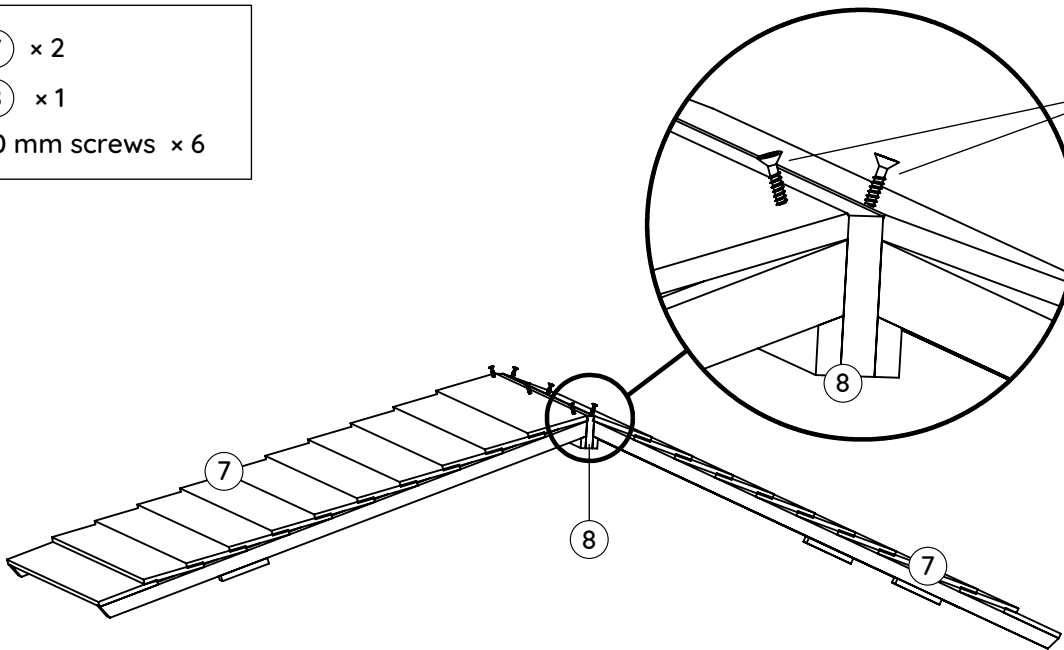
ASSEMBLY INSTRUCTIONS

ESDXL21PT050

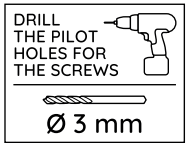
⑦ × 2

⑧ × 1

60 mm screws × 6

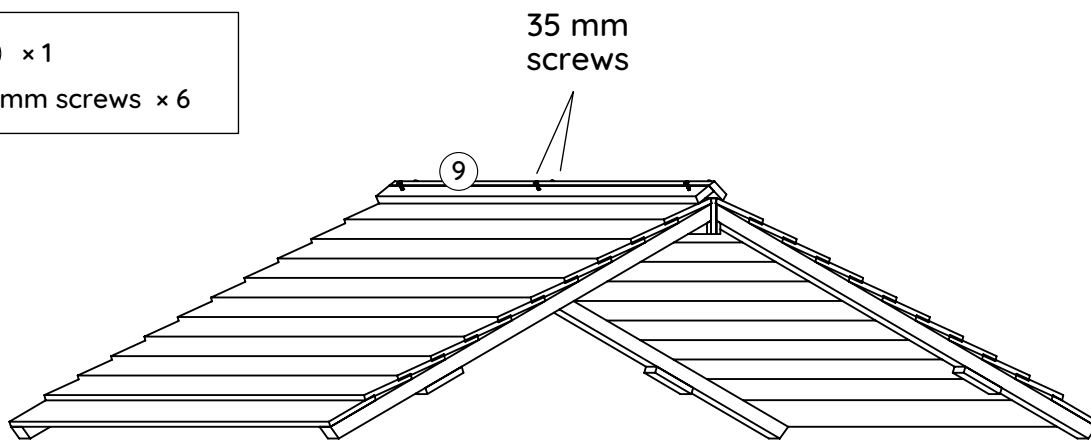


60 mm
screws

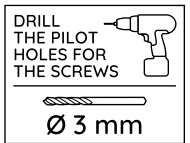


⑨ × 1

35 mm screws × 6

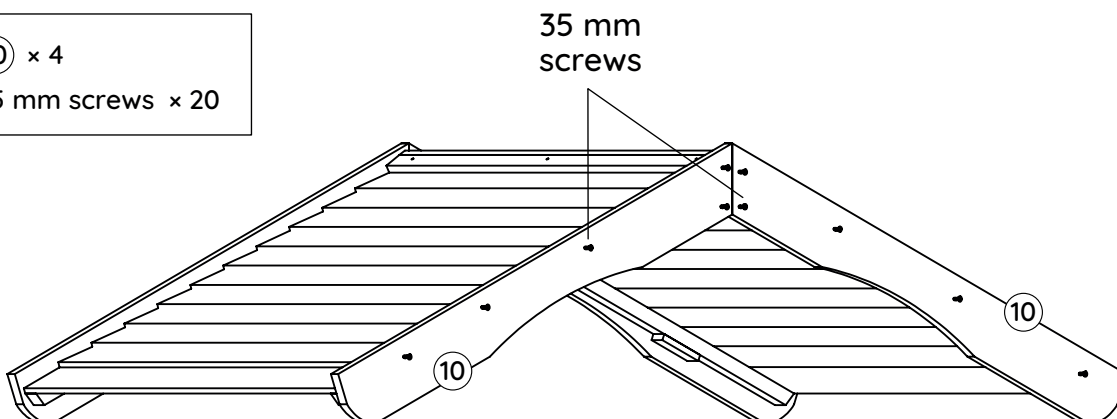


35 mm
screws

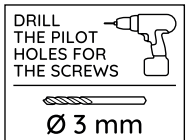


⑩ × 4

35 mm screws × 20



35 mm
screws

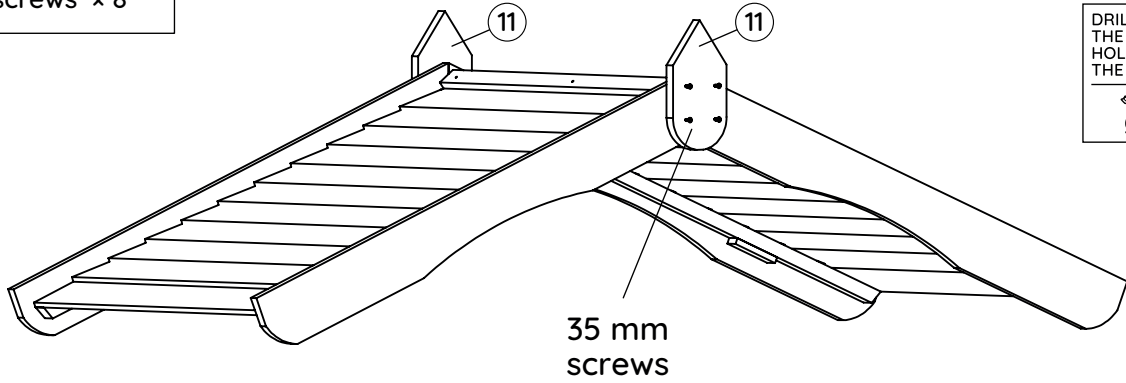


ASSEMBLY INSTRUCTIONS

ESDXL21PT050

11 × 2

35 mm screws × 8



60 mm screws × 8

