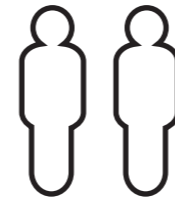


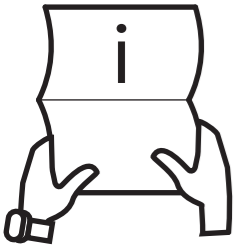
0644CVNE0403HGDD3SW-V2
44MM 4M X 3M CURVED ROOF LOG CABIN.



x2
 All buildings should be erected by two adults.

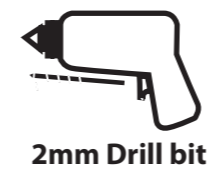


Winter = High Moisture = Expansion
 Summer = Low Moisture = Contraction



BEFORE YOU START PLEASE READ THE INSTRUCTIONS CAREFULLY

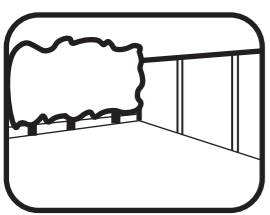
- Check the pack and make sure you have all the items listed in the parts list provided.
- When you are ready to start, make sure you have the right tools at hand (not supplied - see the equipment list on next page).
- Ensure there is plenty of space and a clean dry area for assembly.
- Ensure you have enough time to build the product to ensure the building is water tight.



2mm Drill bit
 For ease of assembly, you **MUST** pilot drill all screw holes and ensure all screw heads are countersunk.



CAUTION
 Every effort has been made during the manufacturing process to eliminate the prospect of splinters on rough surfaces of the timber. You are strongly advised to wear gloves when working with or handling rough sawn timber.



LOCATION FOR YOUR GARDEN BUILDING

A minimum of 600mm should be left around the perimeter of your garden building to allow access for maintenance, annual treatment and to allow air flow around the building.

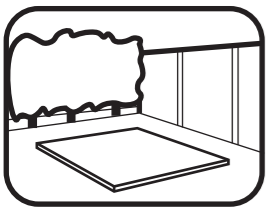
Where possible you should avoid placing your garden building underneath large trees to prevent the tree causing damage to the building.



For ease of assembly use a rubber mallet to fit the log boards. Do NOT use a heavy hammer.



Ensure to measure and check dimensions of components and fixings before cutting.



BUILDING A BASE

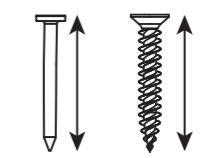
When thinking about where the building and where the base is going to be constructed: Ensure that there will be access to all sides for maintenance work and annual treatment. Ensure the base is level and is built on firm ground, to prevent movement. The base should be the same size as the building's floor bearer frame. These base dimensions are given on the first page of the contents. It is also recommended that the floor be at least 25mm above the surrounding ground level to avoid flooding.



It is advisable to use a hand saw when cutting roof and floor boards.

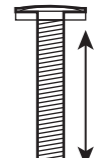
Use a measuring tape to identify the fixings required for each step:

Screws & Nails



Measure overall length

Bolts



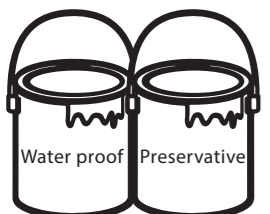
Measure under the head



To ensure log boards are even, use a spirit level to check each layer has been installed correctly.

TYPES OF BASE

- Concrete 75mm laid on top of 75mm hard-core.
- Slabs laid on 50mm of sharp sand.
- Wooden base - Levelled / on posts / ground screws.



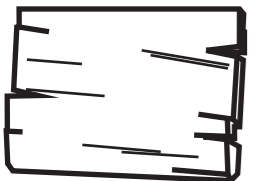
TREATMENT

Once your garden building has been installed it will need to be treated within 14 days (weather permitting) and annually to prevent the timber from deteriorating and to waterproof it. This is required to maintain the anti-rot guarantee.

Log Cabins - Are supplied untreated and require a preservative and waterproofing treatment.

TIMBER

As with all natural materials, timber can be affected during various weather conditions. For the duration of heavy or extended periods of rain, swelling of the wood panels may occur. Warping of the wood may also occur during excessive dry spells due to an interior moisture loss. Unfortunately, these processes cannot be avoided but can be helped. It is suggested that the outdoor building is sprayed with water during extended periods of warm sunshine and sheltered as much as possible during rain or snow.



**REGISTER FOR YOUR
 10 YEAR
 ANTI-ROT
 GUARANTEE TODAY**



www.mgplogistics.co.uk

In all instances for assistance with your product or to register your anti rot guarantee, please contact us via our customer portal .

Mercia Garden Products Limited,
 Sutton On Trent, Newark,
 Nottinghamshire, NG23 6QN

Whilst all products manufactured are made to the highest standards of safety and in the case of children's products independently tested to EN71 level, we cannot accept responsibility for your safety whilst erecting or using this product.



TO DO LIST

- Find a suitable location to build *(see front cover for further information)*.
- Build a base *(see front cover for further information)*.
- Check the base is flat, level, clear of debris and has 60cm clearance on all sides.
- Check you have the required equipment / tools.
- Check you have all the product items listed *(if you have missing or damaged parts please scan the QR code below to visit our online customer portal)*.
- Install the product as per the step by step instructions within this pack.
- Prepare the product ready for treatment (this may include sanding).
- Apply a preserving and a waterproofing treatment within 14 days of installation *(weather permitting)*.
- Register for your anti rot guarantee *(scan the QR below)*.
- Tidy the build area and dispose of any remaining parts responsibly.
- Maintain your building *(see the manufacturers recommendations at the back of this pack)*.

EQUIPMENT LIST

- Hammer
- Mallet
- Flat Head Screwdriver
- Drill
- Drill Bit Set
- Phillips and Slotted Bit Sets
- Tape Measure
- Hand Saw
- Spirit Level
- Ladders/Steps
- Stanley Knife/Cutting Tool
- Sand Paper
- Gloves
- Silicone (For Windows Only)
- Sealant Application Gun
- Wood Filler (Optional)
- Timber Preservative Treatment
- Timber Water Proofing Treatment
- Treatment Mixing Stick
- Paint Brush/Sprayer/Roller

NEED EXTRA SUPPORT

If you are unsure that your base preparation will be suitable, please contact us via our customer portal to discuss this further.

Alternatively, you can visit our website or MGP Logistics Online Portal for some further shededucation.

Website:

<https://www.merciagardenproducts.co.uk/shededucation>

MGP Logistics Online Portal:

<https://www.mgplogistics.co.uk/>

Here you will find plenty of useful information that'll help with most pre-installation and maintenance queries.

**ANY QUESTIONS?**

Scan the QR code to contact us via our customer portal.

NOTES

ACCESSING VIDEO GUIDES...

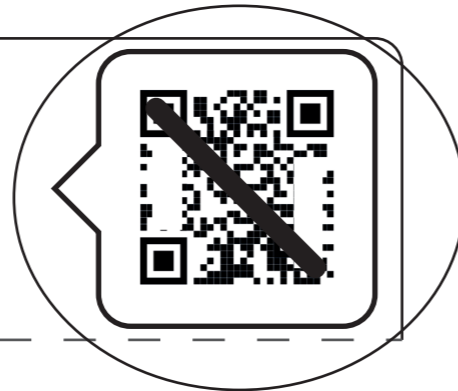
Some steps within this set of instructions come with an added video guide for your convenience. These can be accessed via the QR code and used to aid you in constructing that step. See below for how to use.

You can also find all the videos on our youtube channel:
<https://www.youtube.com/@merciagardenproducts8716/videos>

1. Find the QR code within the instruction step...

Step.....

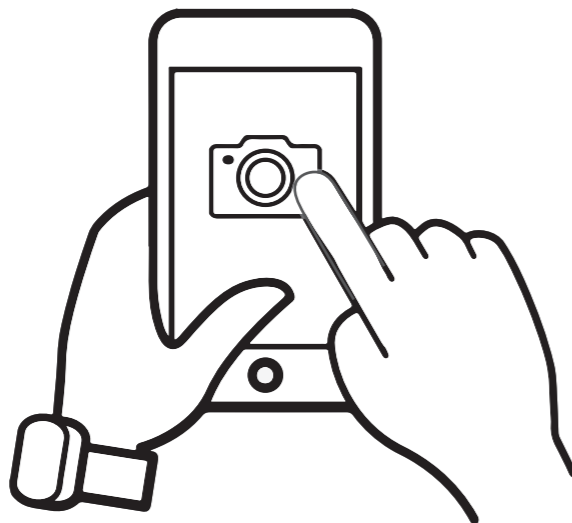
Parts Needed- No. QTY 1
No. QTY 1
No. QTY 1



Within the instruction step, there will be an icon in the top right that has a QR code in. This is where the video can be accessed from.

Please note: not every step has a video guide.

2. Open camera app...



On your personal smart device (phone, tablet etc), open your camera app or QR code scanner app.

ACCESSING VIDEO GUIDES...

3. Scan QR code...



To scan the QR code, hold the camera over the QR code so that it can be seen on the screen. Once the QR code has been registered, follow the prompts on your device to open the video. (This will vary depending on your device.)

Please note: Ensure to use the back camera of your smart device as this will scan the QR code more accurately.

4. Watch the video...



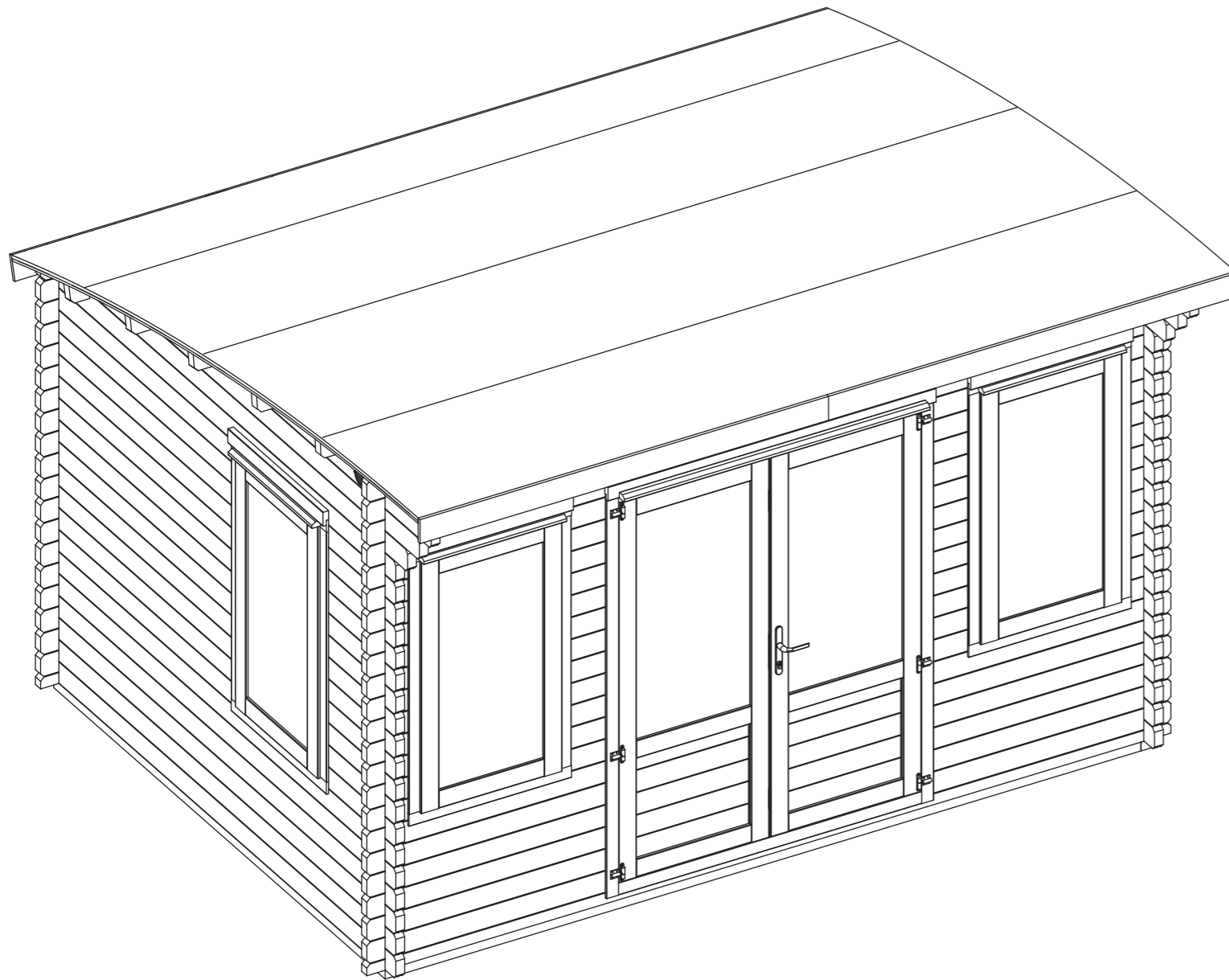
The video guide will now be displayed on your smart device.

Disclaimer: *The Log Cabin constructed in the video guides may be constructed differently to your building. Please ensure to read your instructions carefully to avoid error.*

0644CVNE0403HGDD3SW-V2

Overall Dimensions: Width = 4064mm
 Depth = 3486mm
 Height = 2600mm

Base Dimensions: Width = 3818mm
 Depth = 2814mm



Missing parts?


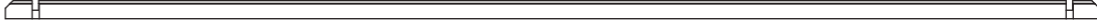
Scan the QR code to visit our customer portal where you can quickly raise any missing or damaged parts and get a replacement sent out ASAP.







Tip: Labelling your parts, using a pencil and masking tape, may help you to identify them easier when you need them.



NO.1 STARTER BOARD



Log Boards Contents:



- 




1 Starter Board - 44x66x4000mm QTY 2
 LB44RT66-A-4000mm
- 




2 Log Board - 44x120x2996mm QTY 24
 LB44-A-2996mm
- 




3 Log Board - 44x120x4000mm QTY 21
 LB44-A-4000mm
- 




4 Log Board - 44x120x232mm QTY 24
 LB44-B-232mm
- 




5 Log Board - 44x120x232mm QTY 24
 LB44-C-232mm
- 


6 Log Board - 44x120x4000mm QTY 1
 LB44-AD-4000mm (1 x double door, 2 x window cut outs)
- 


7 Log Board - 44x120x1215mm QTY 12
 LB44-B-1215mm
- 


8 Log Board - 44x120x1646mm QTY 12
 LB44-B-1646mm
- 


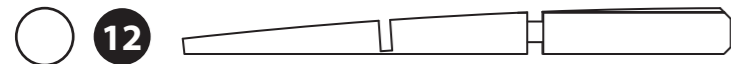
9 Log Board - 44x120x600mm QTY 12
 LB44-B-600mm
- 


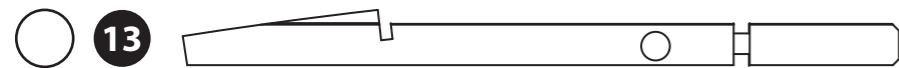
10 Finisher Board - 44x84x4000mm QTY 1
 LB44RG84-AG-4000mm (Angled cut along length)
- 


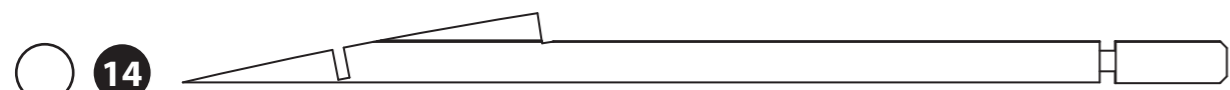
11 Finisher Board - 44x53x4000mm QTY 1
 LB44RG53-A-4000mm

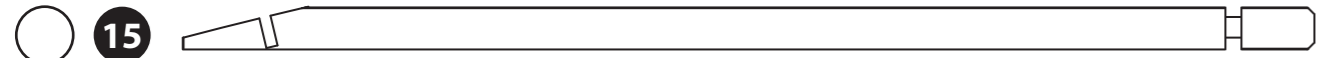
End View

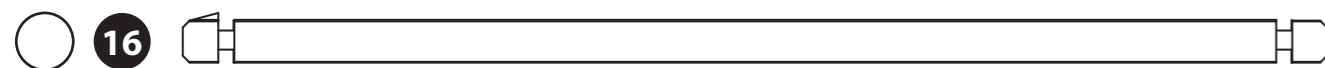
Gable Contents:

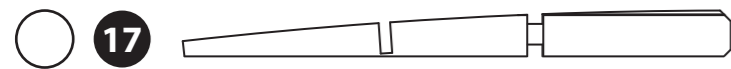
- 


12 Gable A QTY 1
AI-0644CV3-G-V2
- 

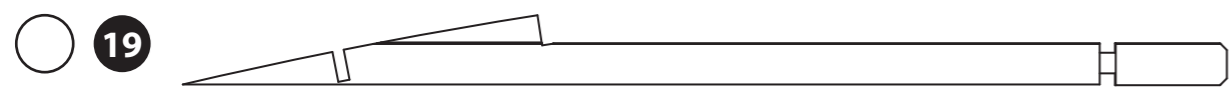
13 Gable B QTY 1
AI-0644CV3-G-V2
- 

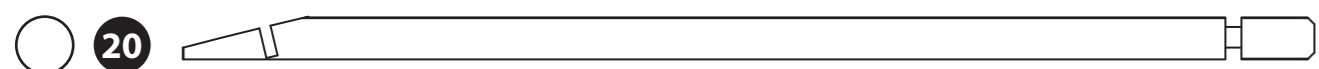
14 Gable C QTY 1
AI-0644CV3-G-V2
- 

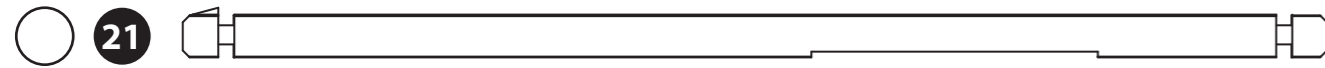
15 Gable D QTY 1
AI-0644CV3-G-V2
- 

16 Gable E QTY 1
AI-0644CV3-G-V2
- 

17 Window Gable A QTY 1
AI-0644CV3-WG-V2
- 

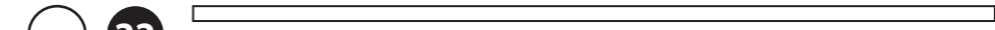
18 Window Gable B QTY 1
AI-0644CV3-WG-V2
- 

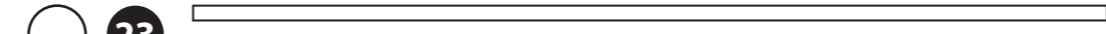
19 Window Gable C QTY 1
AI-0644CV3-WG-V2
- 

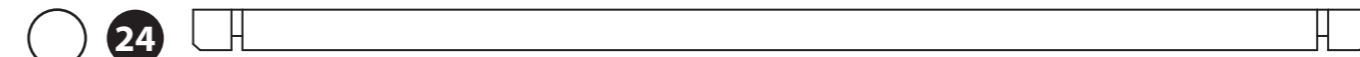
20 Window Gable D QTY 1
AI-0644CV3-WG-V2
- 

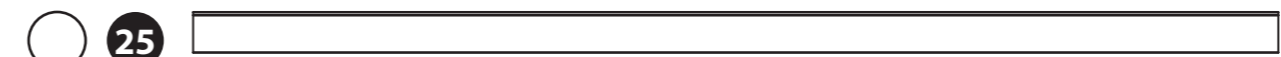
21 Window Gable E QTY 1
AI-0644CV3-WG-V2

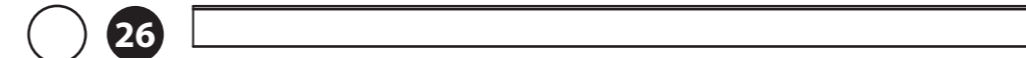
Fixing Kit Contents:

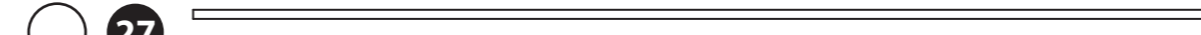
- 

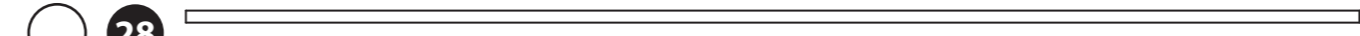
22 Floor Bearer - 44x58x2814mm QTY 2
F4458-2814mm-PT
- 

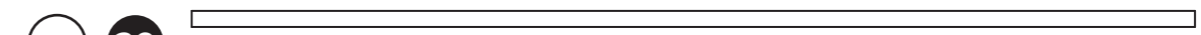
23 Floor Bearer - 44x58x3702mm QTY 10
F4458-3702mm-PT
- 

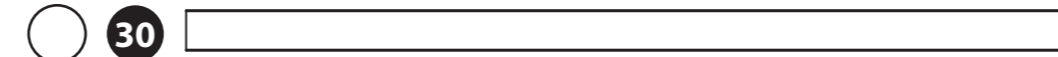
24 Purlin - 45x120x4004mm QTY 5
F45120-A-4004mm
- 


25 Roof Board - 16x121x3496mm QTY 38
MB16-3496mm
- 

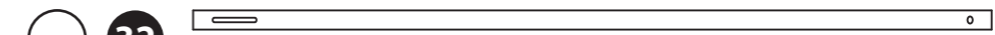
26 Floor Board - 16x121x2722mm QTY 35
MB16-2722mm
- 


27 Front Eaves Frame - 27x44x3730mm QTY 1
F2744-3730mm
- 


28 Back Eaves Frame - 27x44x4004mm QTY 1
F2744-4004mm
- 


29 Roof Trim - 12x30x3492mm QTY 2
S1230-3492mm
- 

30 Fascia - 16x120x2032mm QTY 4*
S16120-2032mm
- 

31 Closure Trim - 16x28x2400mm (approx length) QTY 19*
S1628-2400mm
- 

32 Storm Brace - 44x27x2000mm QTY 8
F2744-2000mm
- 

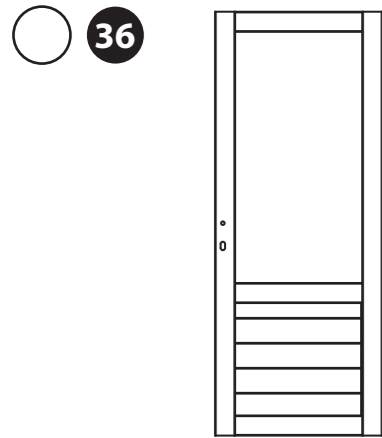
33 Plastic Vent QTY 4
PI-07-0237
- 

34 Felt
- 

35 2mm Spacer QTY 5
PI-07-0208 (20x100x2mm)

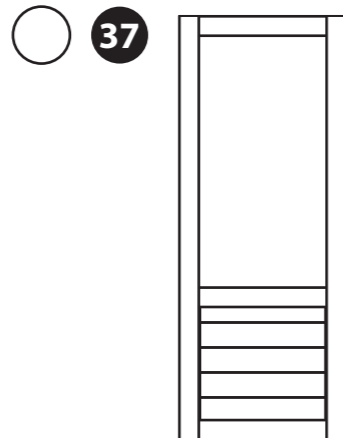
**This part will be longer than needed and requires cutting to size when used. This will be explained when required within the instruction step.*
Note: one piece may be required to be cut into multiple different sizes. Do not dispose of off-cuts until the building is fully constructed as they may be needed in another step.

Door Contents:



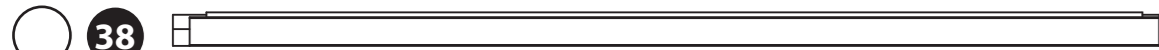
36

Master Door QTY 1
(Morticed for lock)
AI-06LOGDGM750X1900-V4



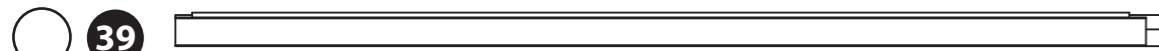
37

Secondary Door QTY 1
AI-06LOGDGS750X1900-V4



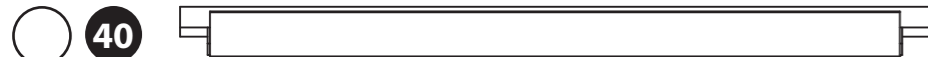
38

Door Frame Left Upright - 71x70x2065mm QTY 1
AI-0644LOGDUFL-V4



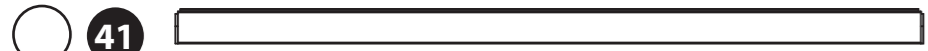
39

Door Frame Right Upright - 71x70x2065mm QTY 1
AI-0644LOGDUFR-V3



40

Door Frame Top - 84x125x1632mm QTY 1
AI-0644LOGDDTF-V3



41

Door Frame Bottom - 71x70x1508mm QTY 1
AI-0644LOGDDBF-V3



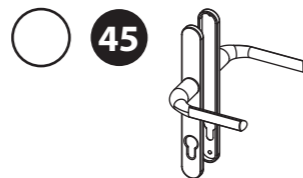
42

Door Strip - 16x60x1880mm QTY 1
S1660-1880mm



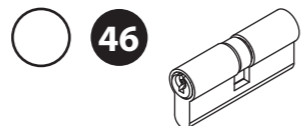
43

Rain Guard - 28x44x1520mm QTY 1
RG2844-1520mm



45

Handle Set QTY 1
PI-07-0233 (Pair)



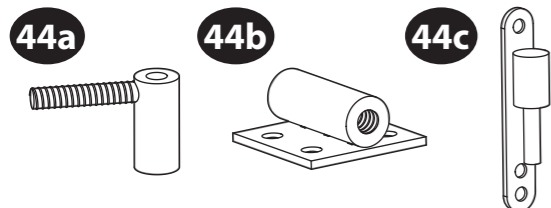
46

Cylinder Lock QTY 1
PI-07-0234



47

Tower Bolt QTY 2
PI-07-0114



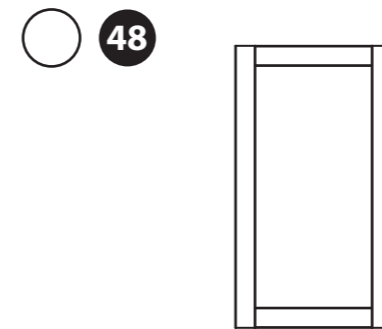
44a

44b

44c

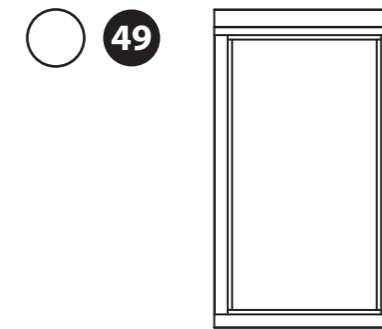
Adjustable Hinge QTY 6
PI-07-0209

Window Contents:



48

Window QTY 3
AI-06LOGDGSW702X1264-V1



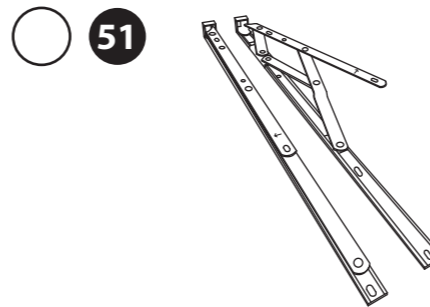
49

Window Frame QTY 3
AI-0644DGWF808X1417-V1



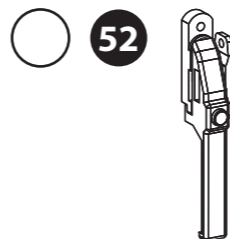
50

Rain Guard - 28x44x710mm QTY 3
RG2844-710mm



51

Friction Hinge Pair - QTY 3
PI-07-0236 (Pair)



52

Window Handle QTY 3
PI-07-0235

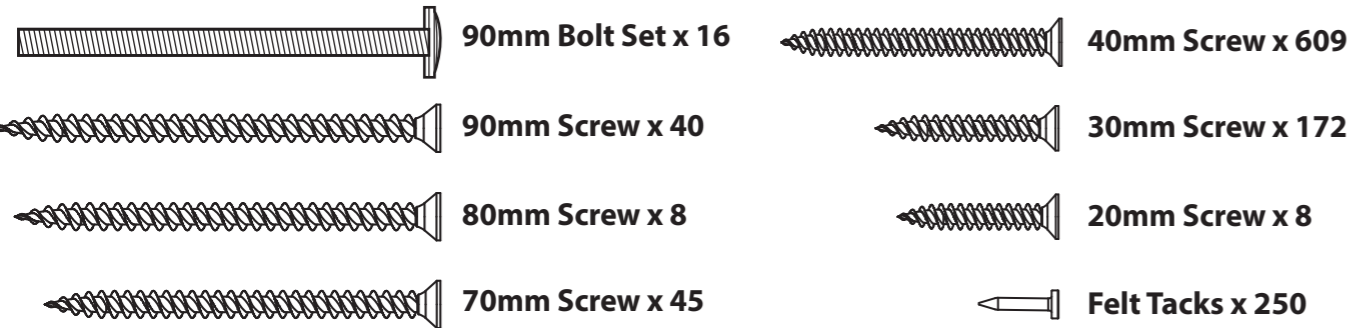


53

6mm Spacer QTY 5
PI-07-0238 (20x100x6mm)

Screw Pack.

There may be extra screws present in the pack.

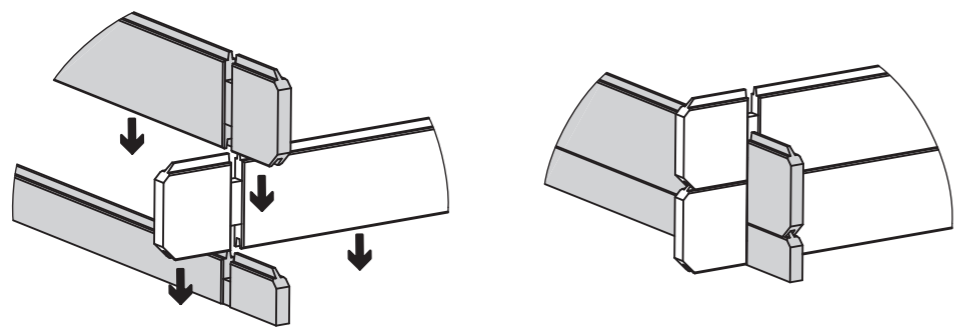


Pre-assembly

***Please note:**

Each board interlocks at either end in a staggered pattern.

Before securing ensure that the boards are fitted properly in their respective tongue's and groove's.



Before assembly, please make sure you have a suitable base ready to install your building onto.

Step 1

**Parts Needed - No. 22 QTY 2
 No. 23 QTY 2**

Lay the bearers (**No. 22 & 23**) onto a firm and level base (*free from areas where standing water can collect*) ensuring the bearers are flat and level and the ends are flush, as shown.

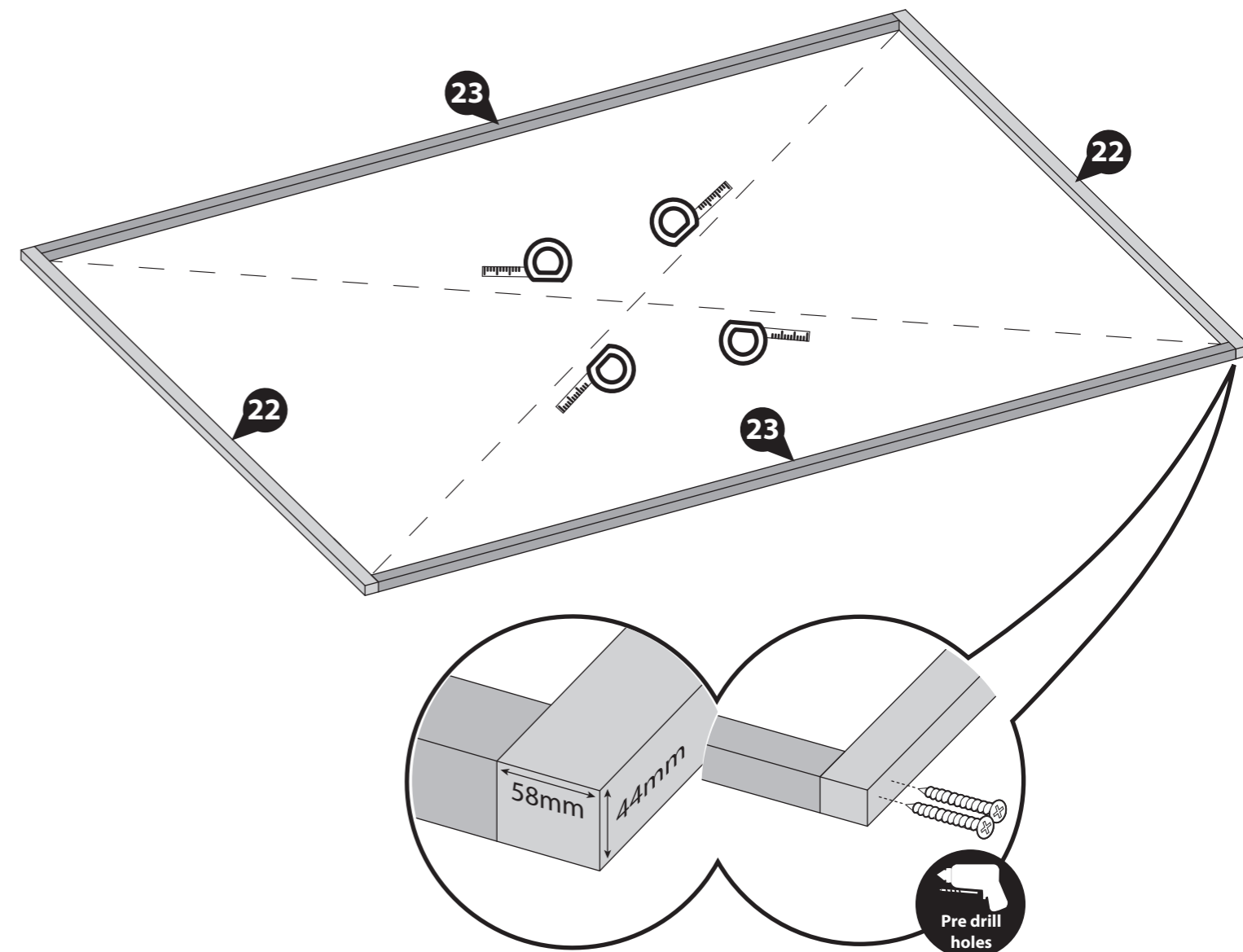
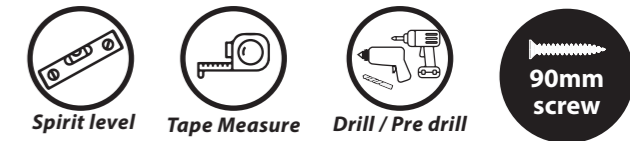
Ensure to lay the bearers so the widest face (58mm) is positioned on the flat, and the smaller face (44mm) is positioned as the height, as shown.

Fix the bearers together using 2x90mm screws per corner.

Once secured, ensure the bearers are square by measuring from corner to corner, making sure the measurements are equal. If the bearers are not aligned equally, unscrew, adjust and re-align accordingly.

8x90mm Screws

Important: Pre-drill before fixing screws.



Step 2
Parts Needed - No. 23 QTY 8

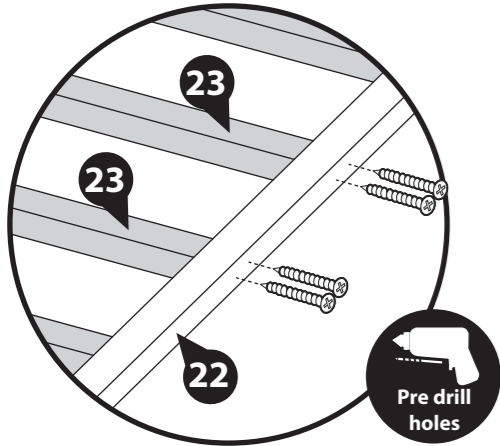
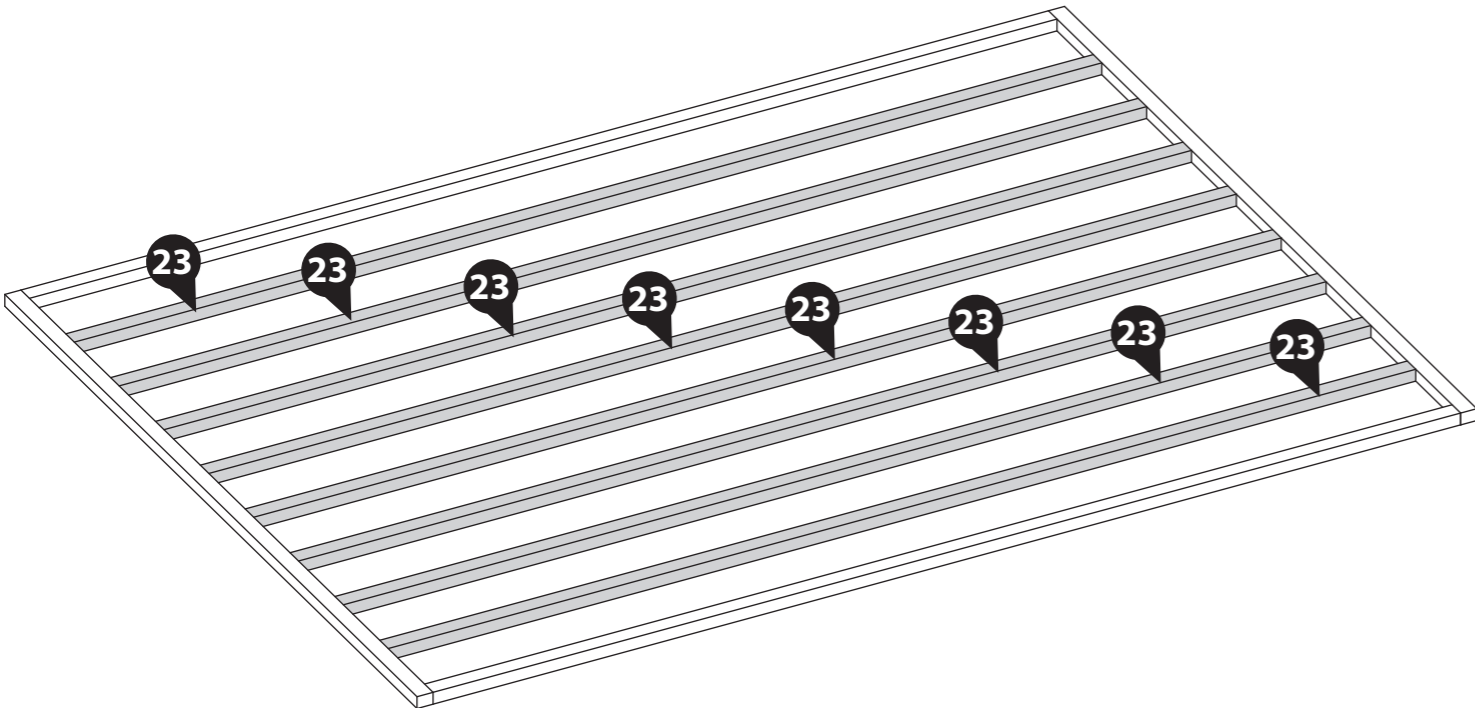
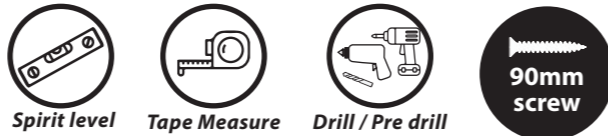
Following the same method shown in the previous step, arrange the remaining bearers (No. 23) inside the assembled frame, ensuring each piece is flush and level.

Ensure to lay the bearers so the widest face (58mm) is positioned on the flat, and the smaller face (44mm) is positioned as the height, as shown.

***Ensure there is an equal amount of space between each bearer.**

Secure each of the bearers in place by screwing through the outside framing into the framing behind using 2x90mm screws for each end of the bearer, as shown.

32x90mm Screws
Important: Pre-drill before fixing screws.



Step 3
Parts Needed - No. 1 QTY 2
No. 2 QTY 2

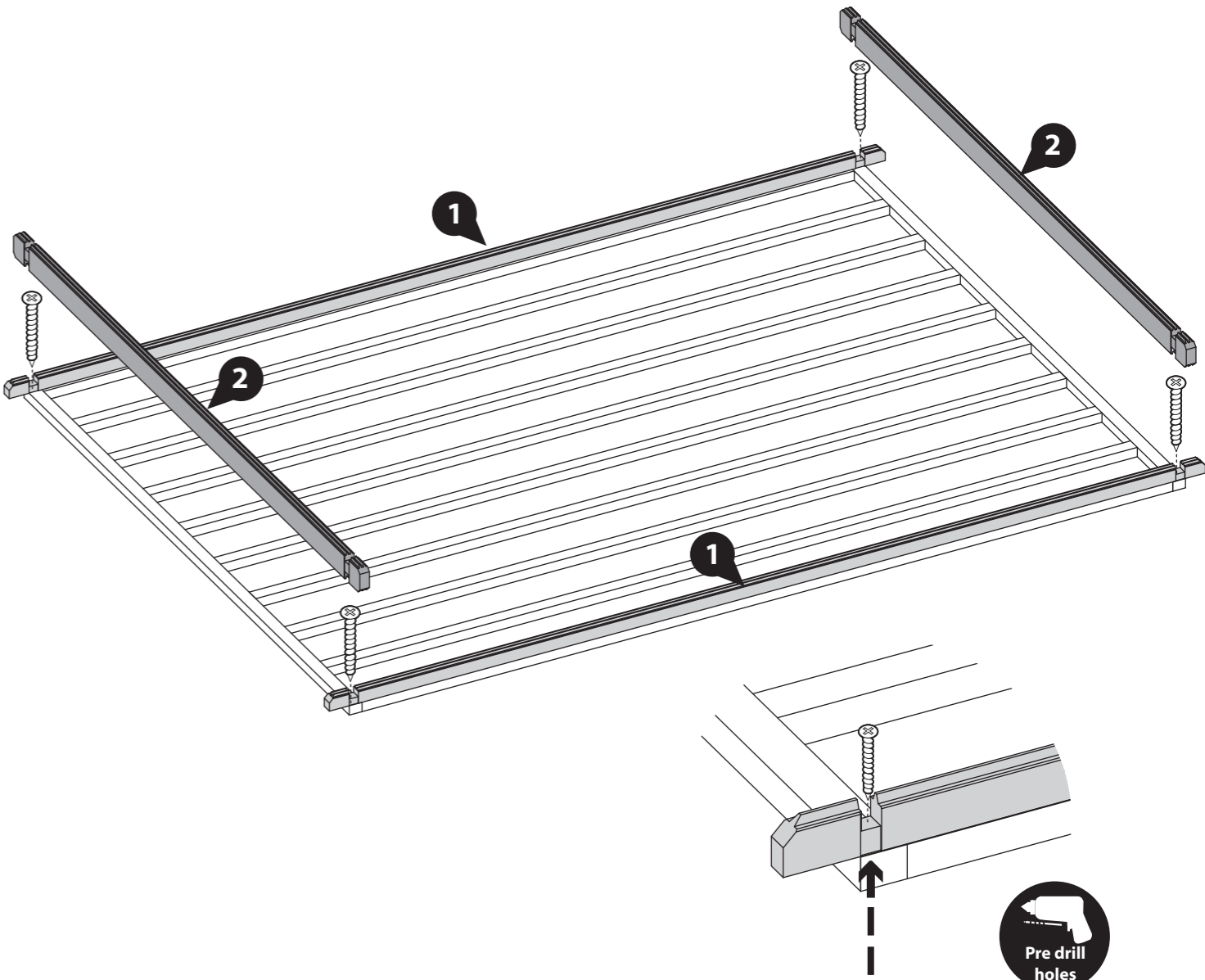
Place the starter boards (No. 1) on to the front and back of the assembled bearers and lightly position the first two log boards (No. 2) into the notches as shown.

Ensure the boards sit square on the base using the same method used in Step 1. Measure corner to corner, making sure the measurements are equal.

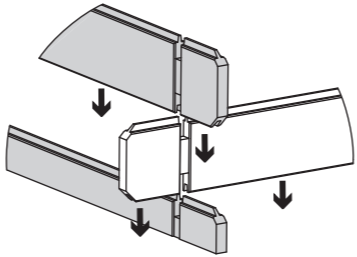
Once the boards are square, lift up the log boards (No. 2) and fix the starter boards in place by screwing through the notch into the bearer below, using 1x70mm screw per notch.

Note: Use a mallet and a scrap piece of wood to gently persuade the log boards into place.

4x70mm Screws
Important: Pre-drill before fixing screws.



Step 4
Parts Needed - No. 2 QTY 11
No. 3 QTY 6
No. 7 QTY 12
No. 8 QTY 1
No. 9 QTY 1

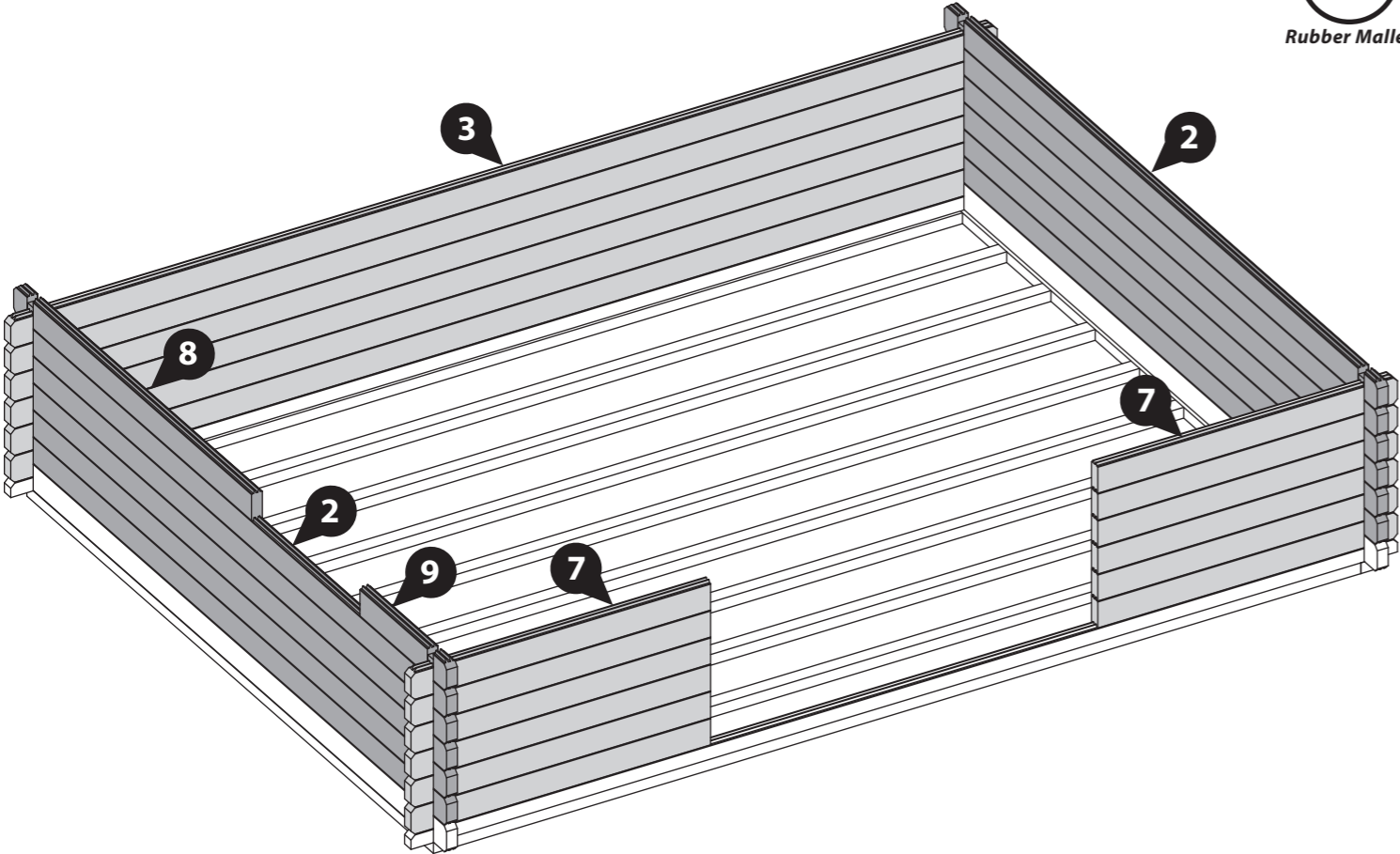


Following the method shown in the illustration, lay the first 6 boards (No. 2, 3, 7, 8 & 9) off of the starter boards to create your first level.

**Ensure that the boards are level and flush with each other as you lay each one.*

Start by placing the front and back boards, interlocking them with the side boards. Then place the next side boards, interlocking with the front and back boards. Continue this method until you have placed **6 boards off of the starter boards on each side**, as shown.

Please note: The short boards at the side of the building can be placed either side depending on where you'd like your windows to be positioned.

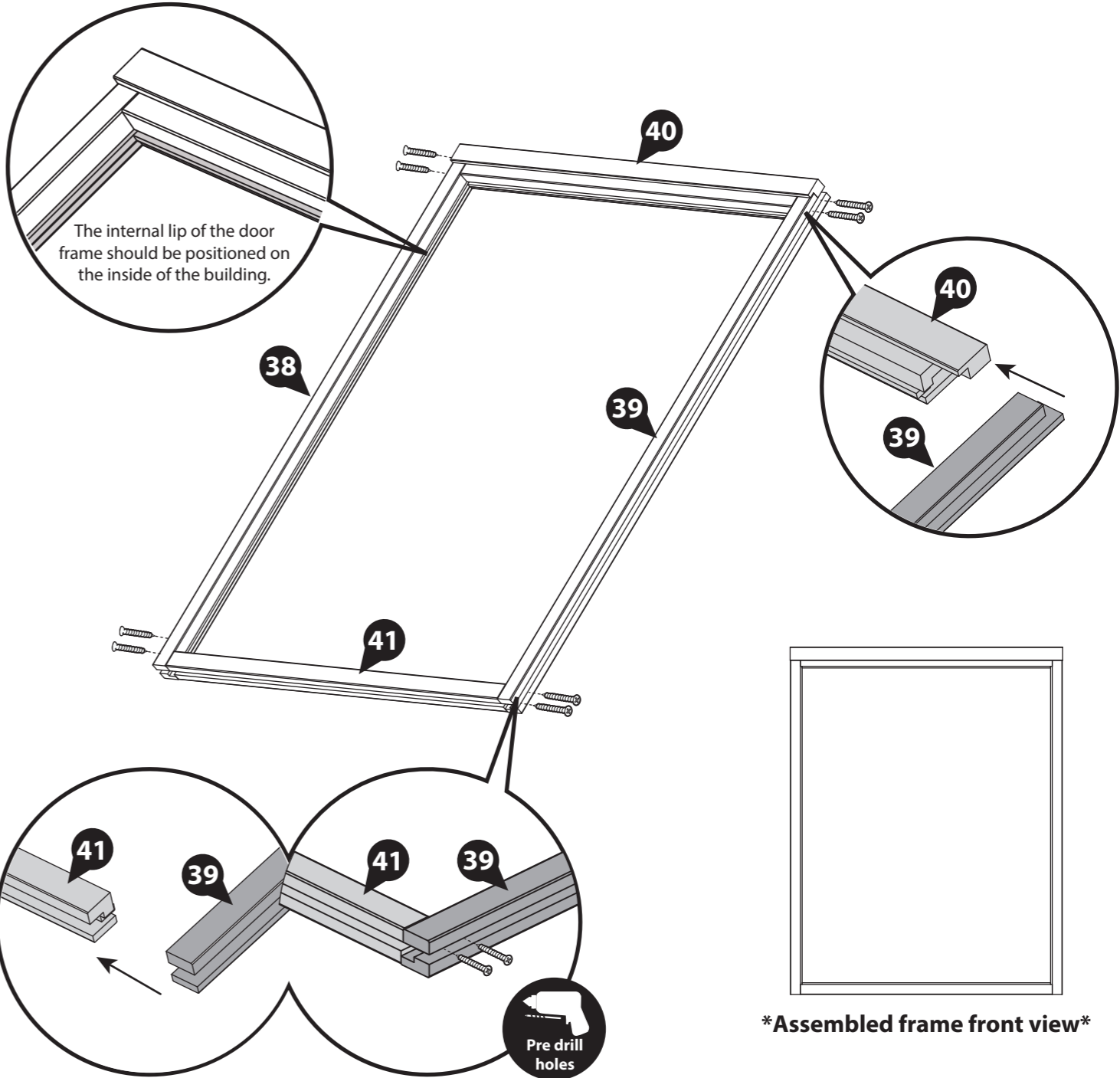


Step 5
Parts Needed - No. 38 QTY 1
No. 39 QTY 1
No. 40 QTY 1
No. 41 QTY 1

Arrange the left, right, top & bottom door frames (No. 38, 39, 40 & 41) onto a flat and level surface.

Secure the top and bottom frames to the uprights using 2x80mm screws per corner, ensuring the screws do **NOT** protrude through the front of the door framing.

8x80mm Screws
Important: Pre-drill before fixing screws.



Step 6

Parts Needed - No. 36 QTY 1
No. 37 QTY 1
No. 44 QTY 6

a The Adjustable Door Hinge (**No. 44**) comes in three parts.
 Fasten parts **No. 44a** and **44b** of the Adjustable Door Hinge together by screwing part **44a** into **44b**, as shown in the illustration.

b Place the Master and Secondary Doors (**No. 36 & 37**) into the assembled double door frame, ensuring there is equal spacing on each side between the Doors and door frame.

Locate 3 x Adjustable Door Hinges (**No. 44c**) to each Door and fix in place using 3x30mm screws per hinge.

***Ensure the hinges are fitted to the external of the Doors so the doors open outwards from the log cabin.**

It is important to fit the Doors within the frames at this stage so that you can establish the position of the hinges.

c Fix 3 x Adjustable Door Hinges (**No. 44a&b**) onto each door frame using 4x30mm screws per hinge. Ensure the hinges on the Doors locate into the hinges on the door frame, and the Doors open & close freely without restriction.

***Please note: When fixing, screws may go through into the channel and not the framing. It is important to fit and locate the hinges at this point as the Doors are heavy and easier to locate when flat. Be aware that you may have to remove two screws on each hinge at a later point to correctly position your log boards.**

d Remove the Doors from the frame after fitting the hinges. Open the Doors and lift them off of the hinges attached to the frames. You do not need to unscrew the hinges to remove the Doors.

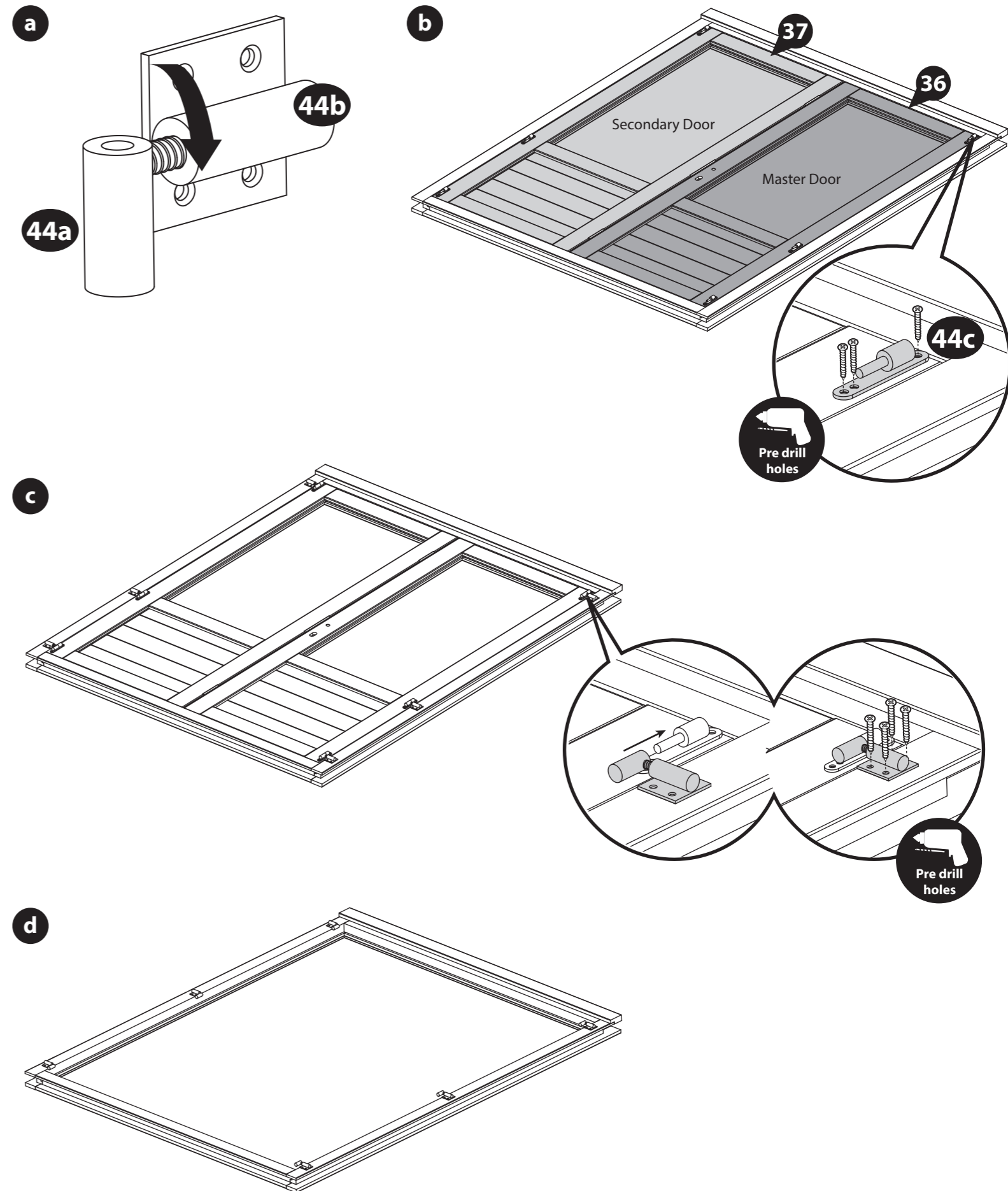
42x30mm Screw
Important: Pre-drill before fixing screws.



Drill / Pre drill



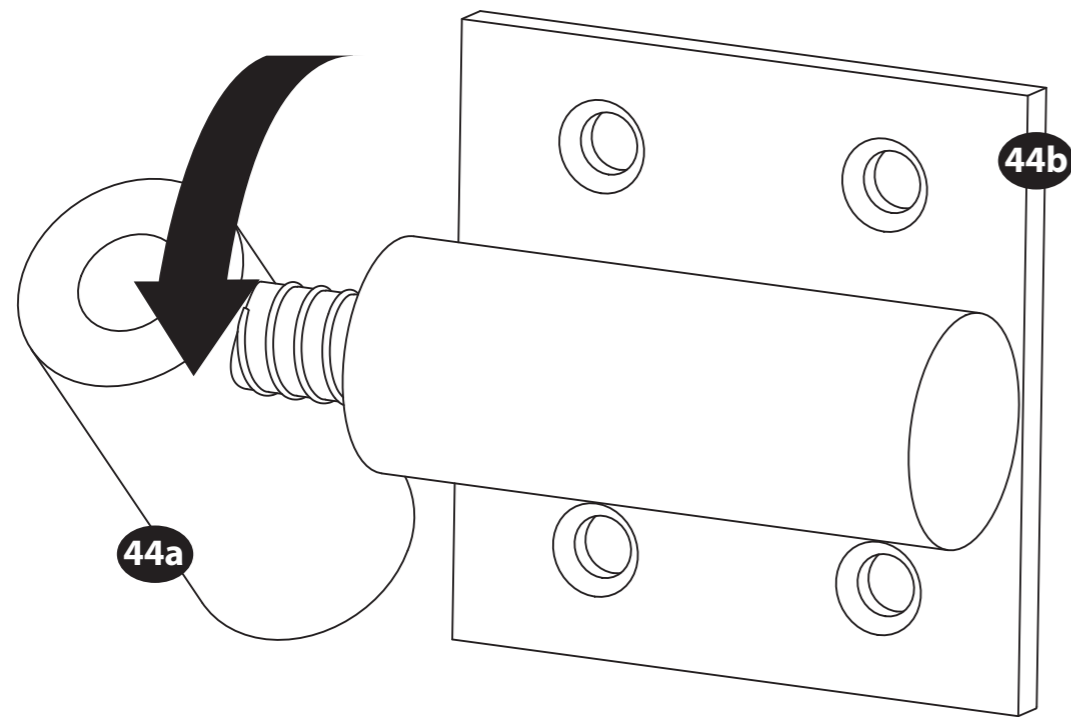
30mm screw



Step 7

To adjust and align your doors:

1. Lift up the doors to separate the two parts of the hinge.
2. Turn the rotating barrel (**No. 44a**) in / out to move the position of the doors either in or away from each other.
3. You can then place the door(s) back on to the hinge and check whether they require more / less adjustments, if further adjustments are required repeat number 2.

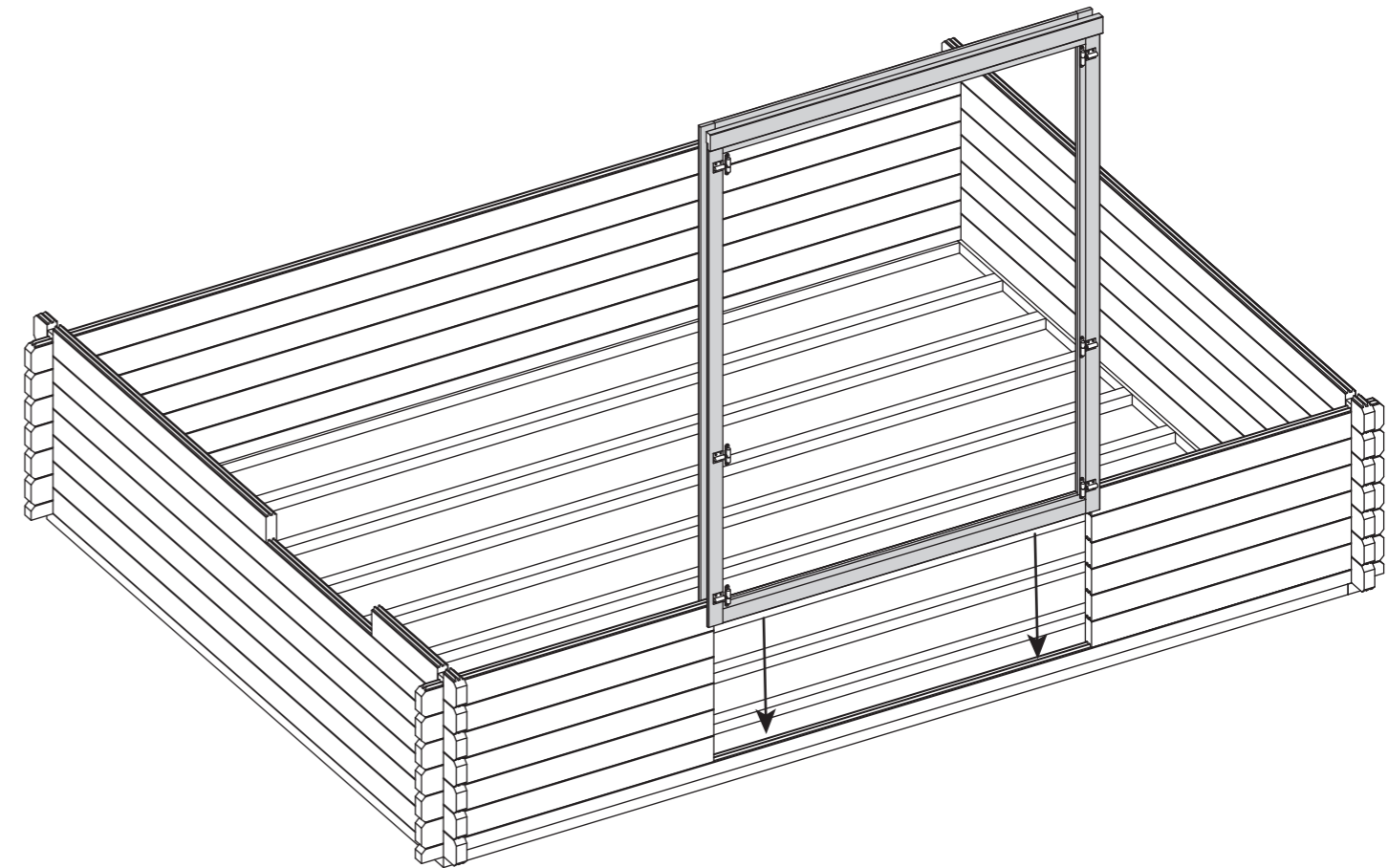


Step 8

Once you have laid 6 log boards (off of the starter board) up the door section, slide the assembled door frame over the boards, ensuring to rest the frame on top of the starter board. *If you have not yet assembled your door frame, please refer to steps 5-7.*

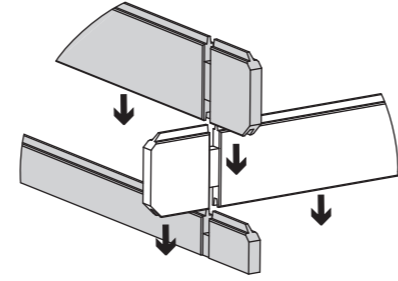


Rubber Mallet



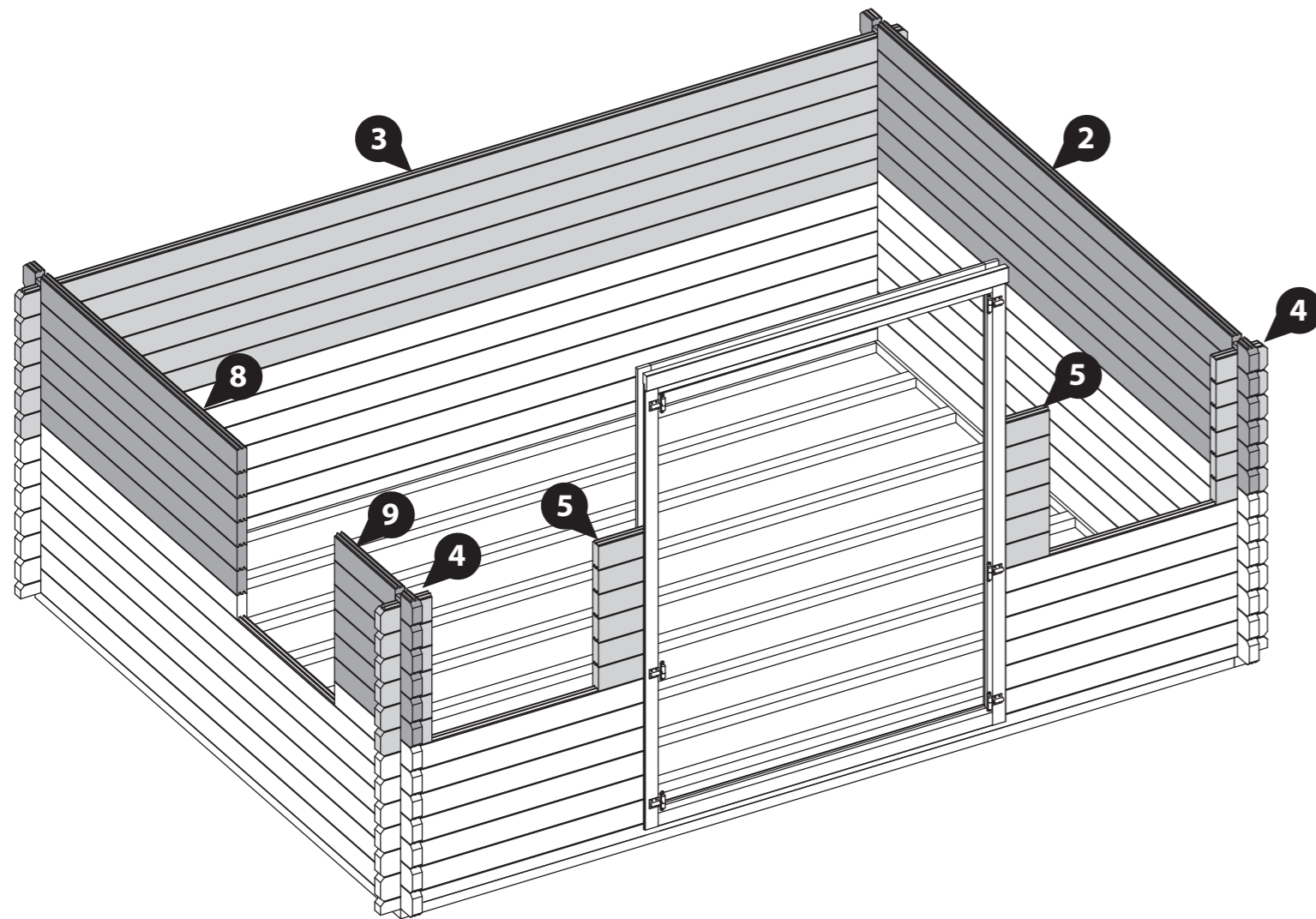
Step 9

- Parts Needed - No. 2 QTY 6**
No. 3 QTY 6
No. 4 QTY 12
No. 5 QTY 12
No. 8 QTY 6
No. 9 QTY 6



Following the method shown in the illustration, lay the next 6 boards (**No. 2, 3, 4, 5, 8 & 9**) onto the log cabin to create your second level.

**Ensure that the boards are level and flush with each other as you lay each one.*



Step 10

- Parts Needed - No. 35 QTY 4**
No. 49 QTY 3
No. 51 QTY 3
No. 53 QTY 4

- a** Open the hinges (**No. 51**) following the directional arrow given on the top of the hinge.
- b** Lay the assembled window frame (**No. 49**) on a flat and level surface.

Please note: The window can be hinged to open on either the left or the right, depending on where you position your hinges. Please decide which works best for you before fitting the hinges.

If you want your window to open on the left (from the inside), position the spacers / hinges to the right corners, and if you want your window to open on the right (from the inside), position the spacers / hinges in the left corners.

Place one 2mm spacer (**No. 35**) and one 6mm spacer (**No. 53**) flush together and position them flat onto the inside framing of your chosen hinge position, ensuring they are flush into the corner, as shown.

- c** Position one hinge (**No. 51**) inside the window frame at the top, butt up to the positioned spacers. Ensure the coloured corner cap is flush into the corner of the frame and the straight part of the hinge is flush to the top of the frame. Make sure the hinge opens outwards, away from the frame.

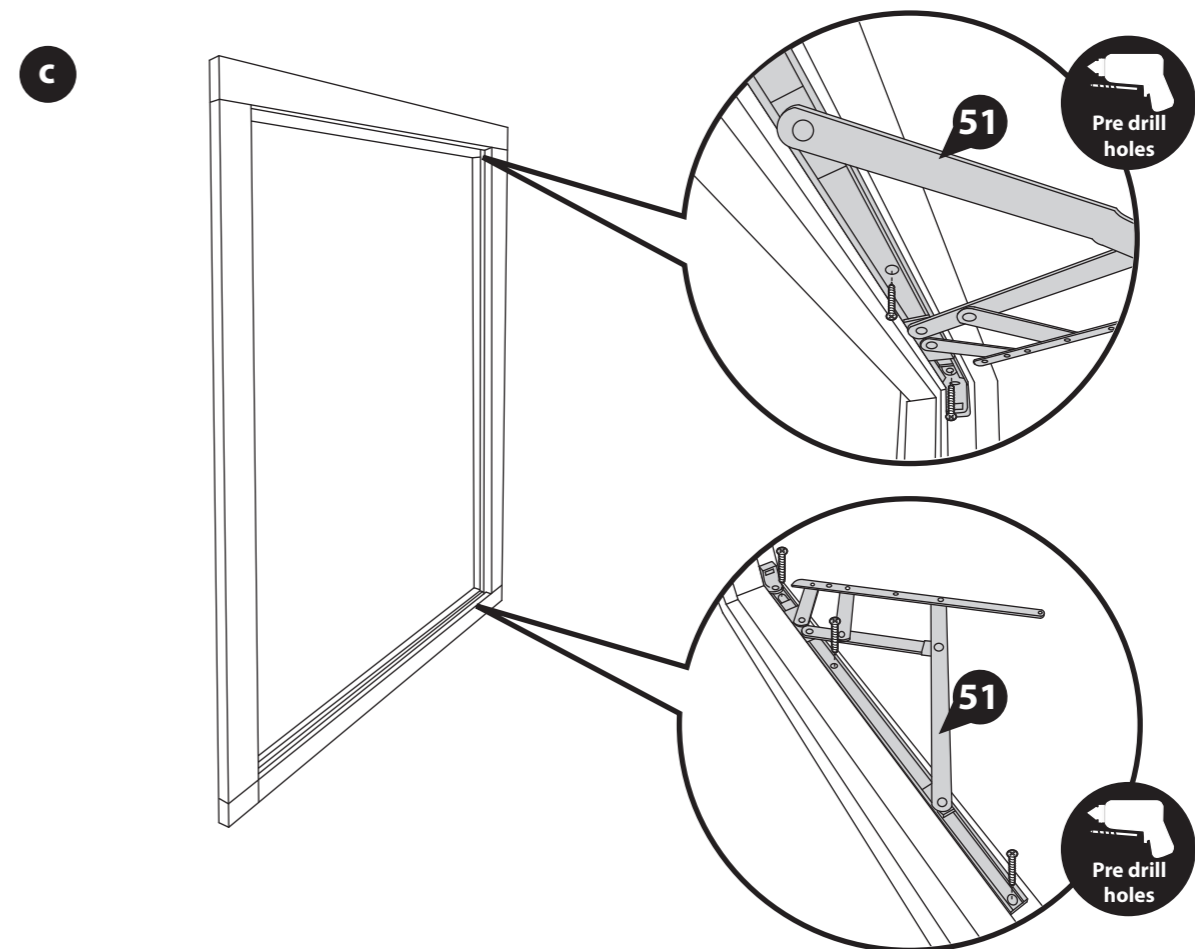
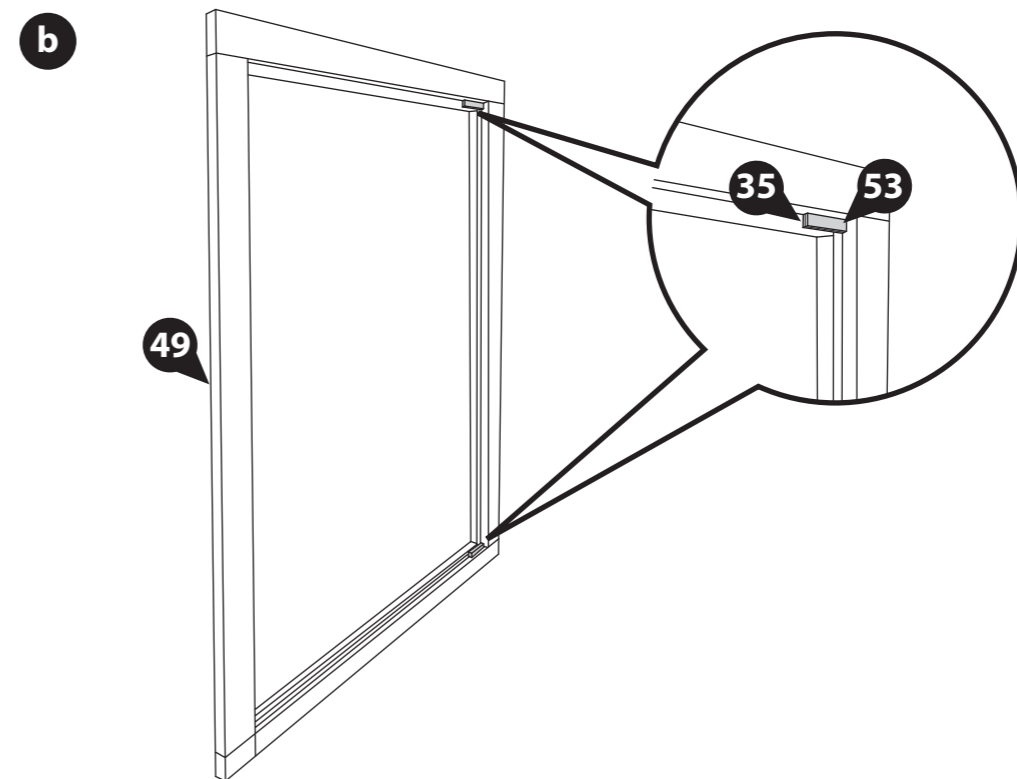
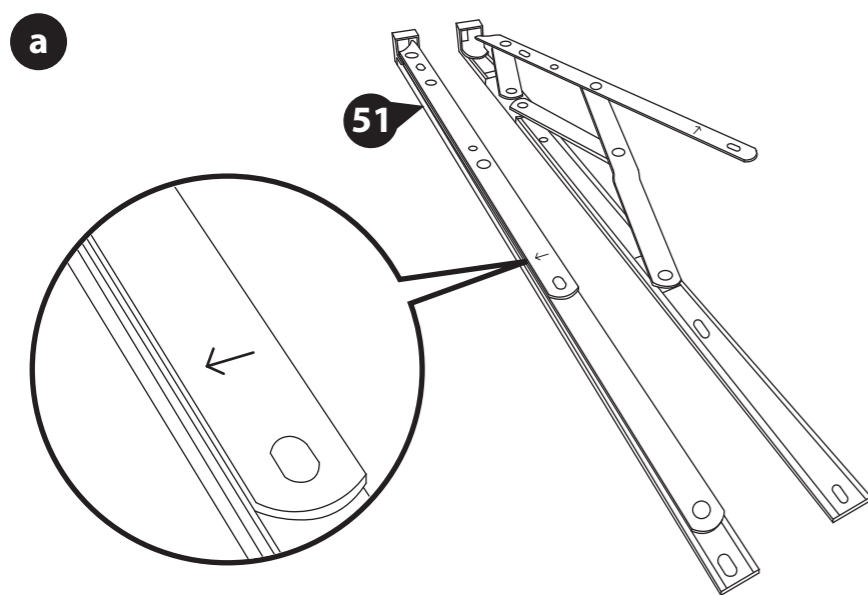
Secure in place using 3x30mm screws.

Repeat to fix the other hinge to the bottom of the frame and remove the spacers.

Use this method to locate and fix two hinges to the three window frames.

18x30mm Screws

Important: Pre-drill before fixing screws.



Step 11

Parts Needed - No. 48 QTY 3

- a** With the hinges (**No. 51**) open in the frame, locate the Window (**No. 48**) onto the bottom hinge, ensuring to position both the top and bottom hinge into the groove in the window, as shown.

Fix the hinge to the window using 3x30mm screws per hinge. Ensure the window is able to open and close without getting stuck on the frame.

- b** Once positioned, unscrew and remove the window from the hinges, ensuring to leave the hinges attached to the frame. This will make it easier to fit the window frame into the log cabin.

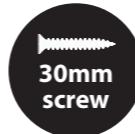
Use this method to assemble and remove the window from all three window frames.

18x30mm Screws

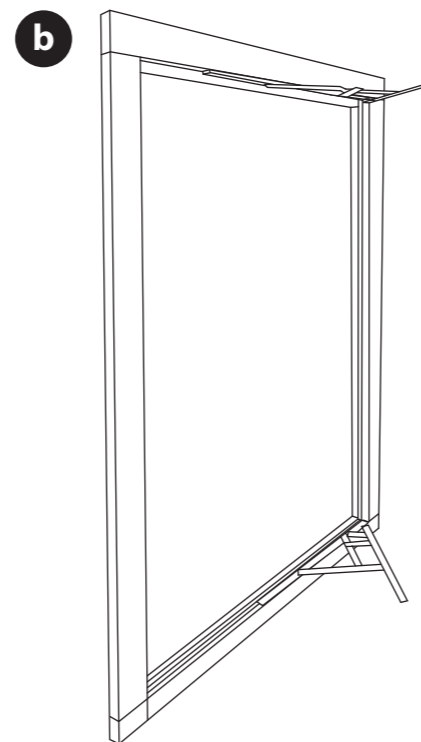
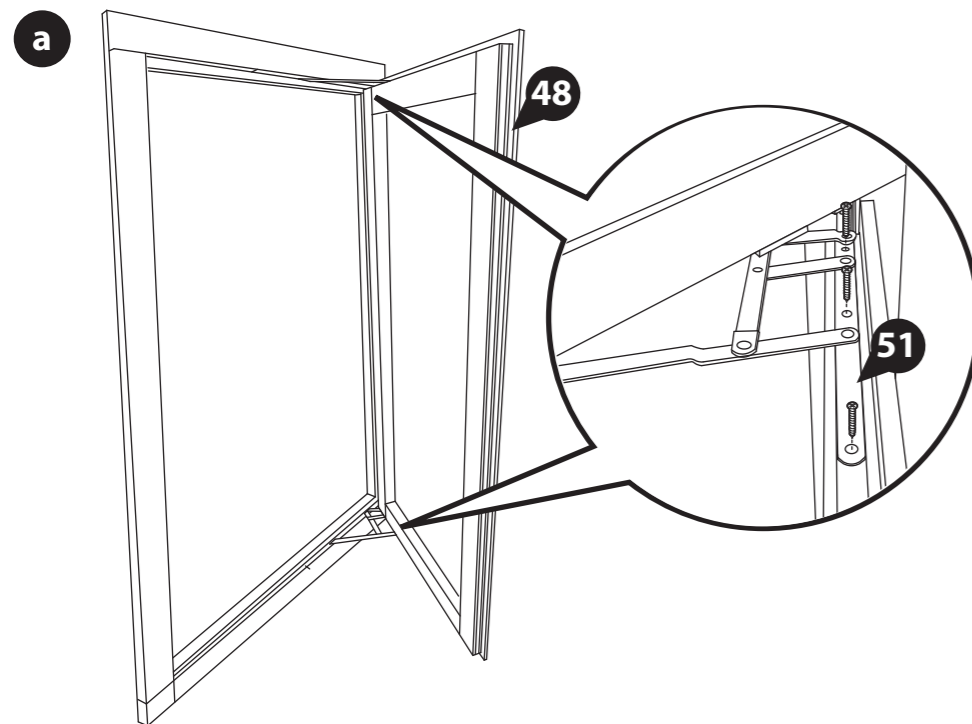
Important: Pre-drill before fixing screws.



Drill / Pre drill



30mm screw



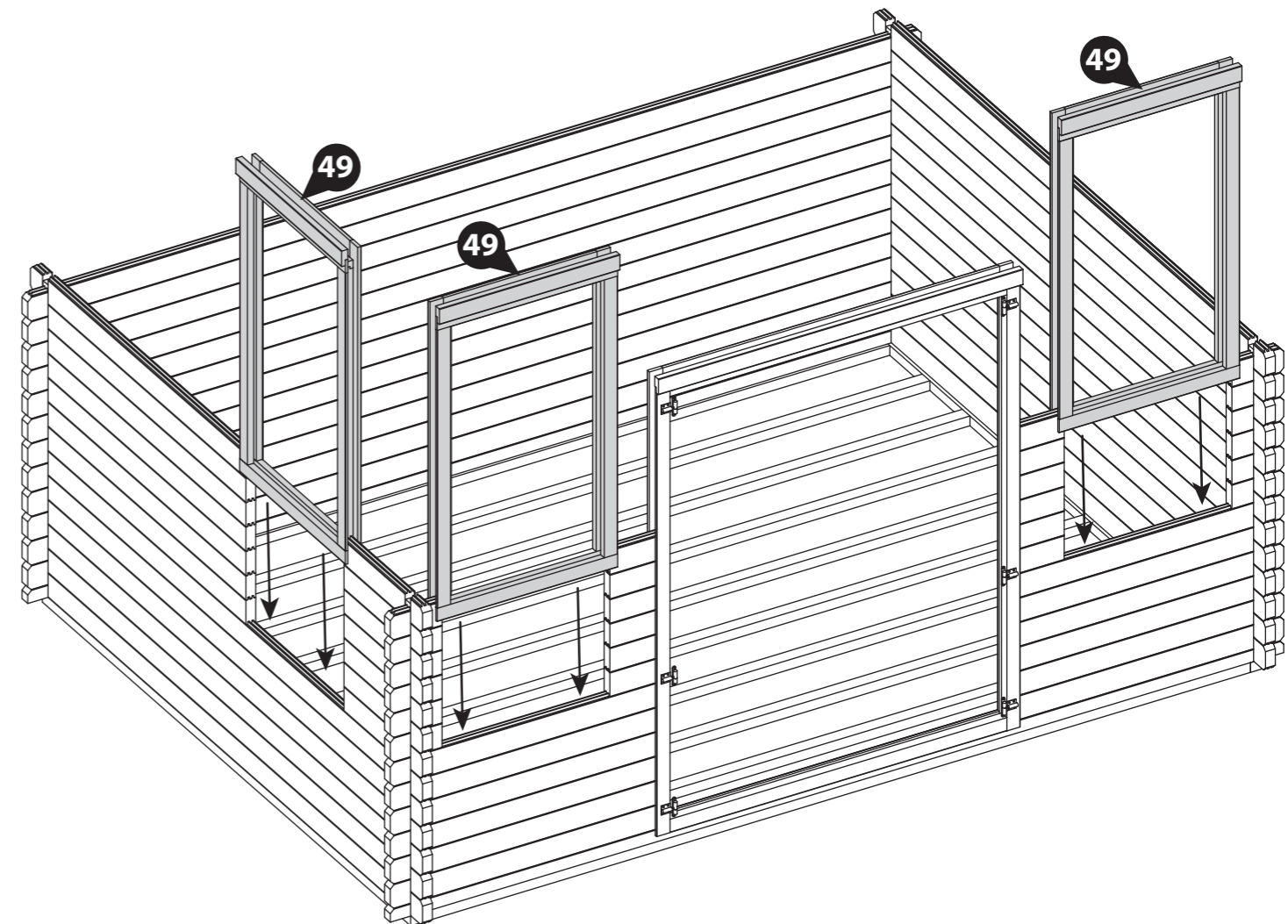
Step 12

Parts Needed - No. 49 QTY 3

Once you have laid 6 log boards up the window sections, slide the assembled Window frames (**No. 49**) over the boards, ensuring to rest the frame on top of the board below. *If you have not yet assembled your window frames, please refer to steps 10 & 11.*



Rubber Mallet

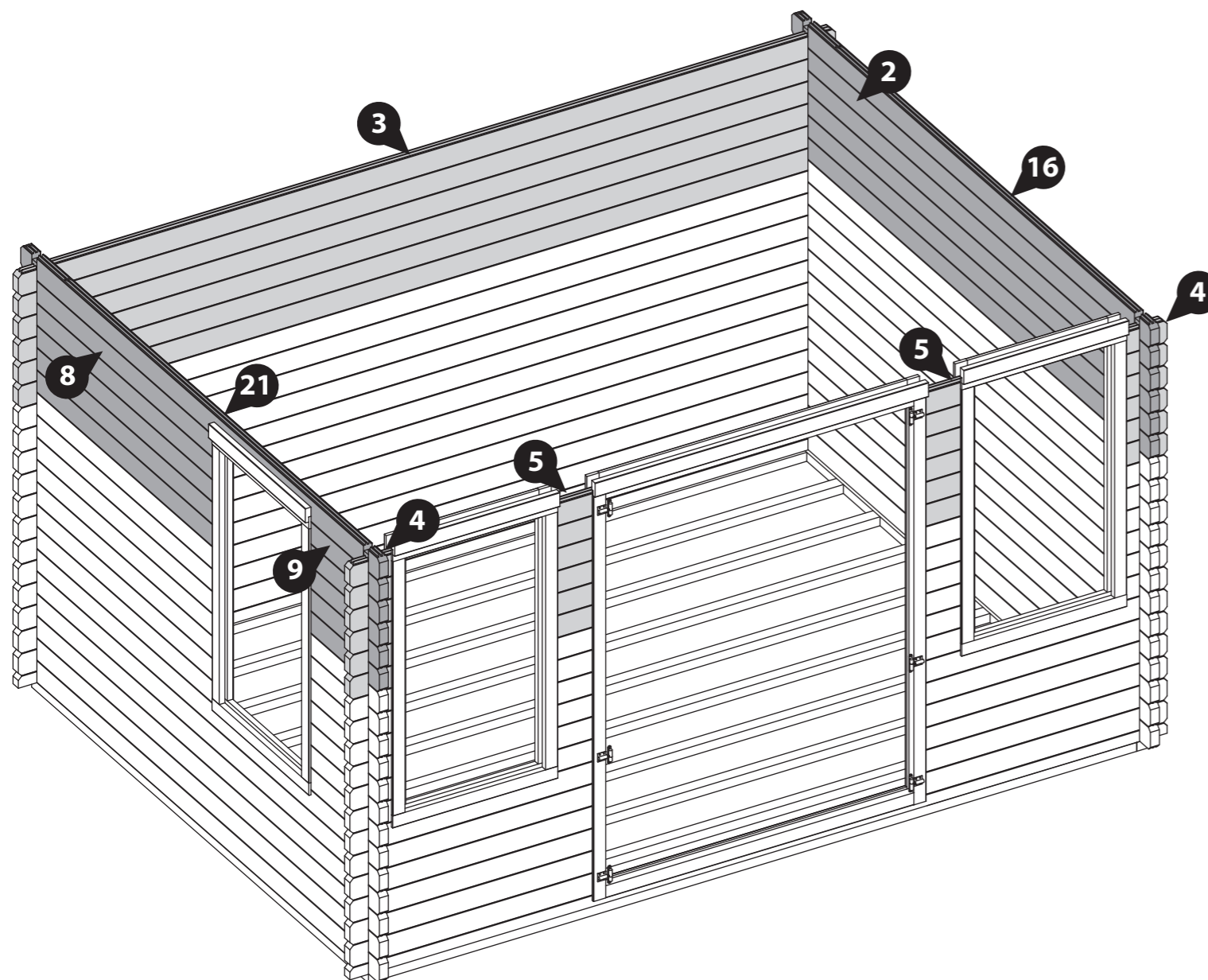
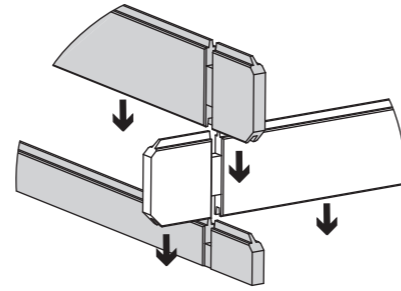


Step 13

- Parts Needed - No. 2 QTY 5**
No. 3 QTY 6
No. 4 QTY 12
No. 5 QTY 12
No. 8 QTY 5
No. 9 QTY 5
No. 16 QTY 1
No. 21 QTY 1

Following the method shown in the illustration, lay the next 6 boards (No. 2, 3, 4, 5, 8, 9, 16 & 21) onto the log cabin to create your next level.

**Ensure that the boards are level and flush with each other as you lay each one.*



Step 14

- Parts Needed - No. 13 QTY 1**
No. 18 QTY 1
No. 33 QTY 4

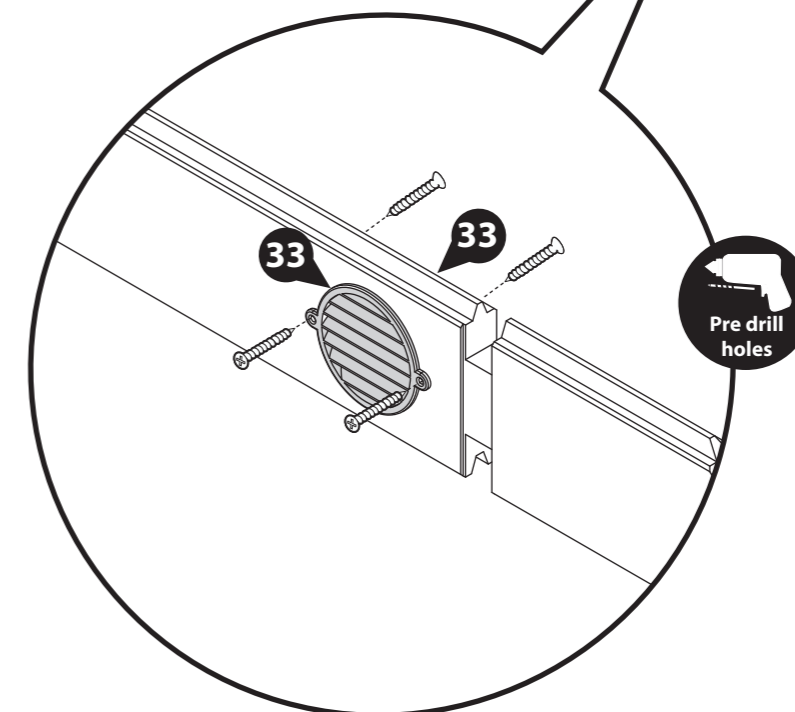
Lay both Gable Boards (No. 13 & 18) onto a flat and level surface and locate one Vent (No. 33) into each vent hole, as shown. Secure in place using 2x20mm screws per Vent.

Flip the Gable Boards (No. 13 & 18) over and position the remaining Vents (No. 33) into the opposite side of the Vent holes. Fix in place using 2x20mm screws per Vent.

On one side of each Gable Board, the vent will need to be slightly offset to an angle to ensure the screws do not collide.

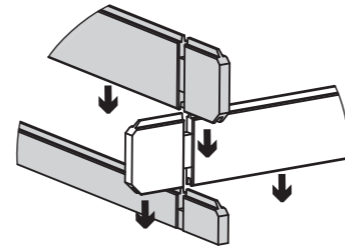
8x20mm Screws

Important: Pre-drill before fixing screws.



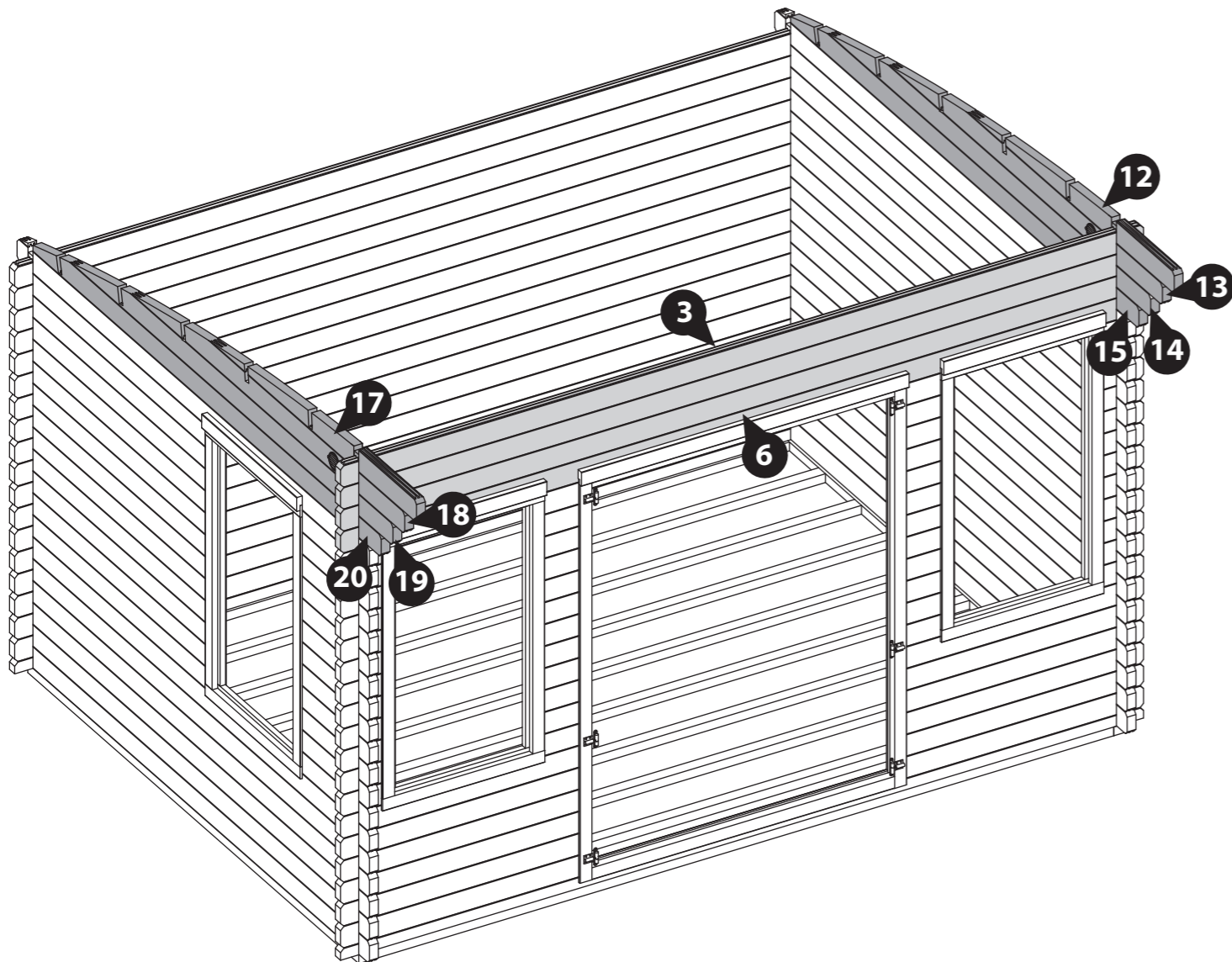
Step 15

- Parts Needed - No. 3 QTY 3**
No. 6 QTY 1
No. 12 QTY 1
No. 13 QTY 1
No. 14 QTY 1
No. 15 QTY 1
No. 17 QTY 1
No. 18 QTY 1
No. 19 QTY 1
No. 20 QTY 1



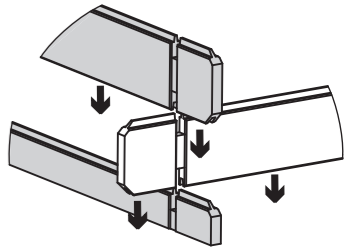
Following the method shown in the illustration, lay the next layer of boards (No. 3, 6, 12, 13, 14, 15, 17, 18, 19 & 20) onto the log cabin to create you next level and a staggered pattern at the front of the cabin.

***Ensure that the boards are level and flush with each other as you lay each one.**



Step 16

- Parts Needed - No. 10 QTY 1**
No. 11 QTY 1

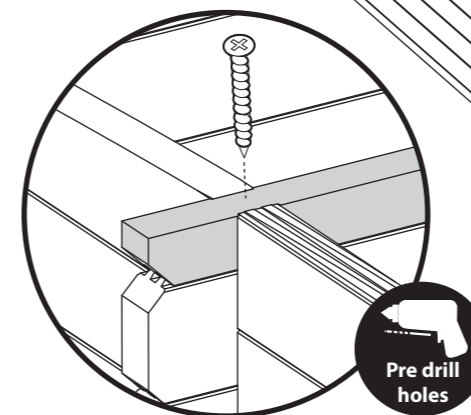
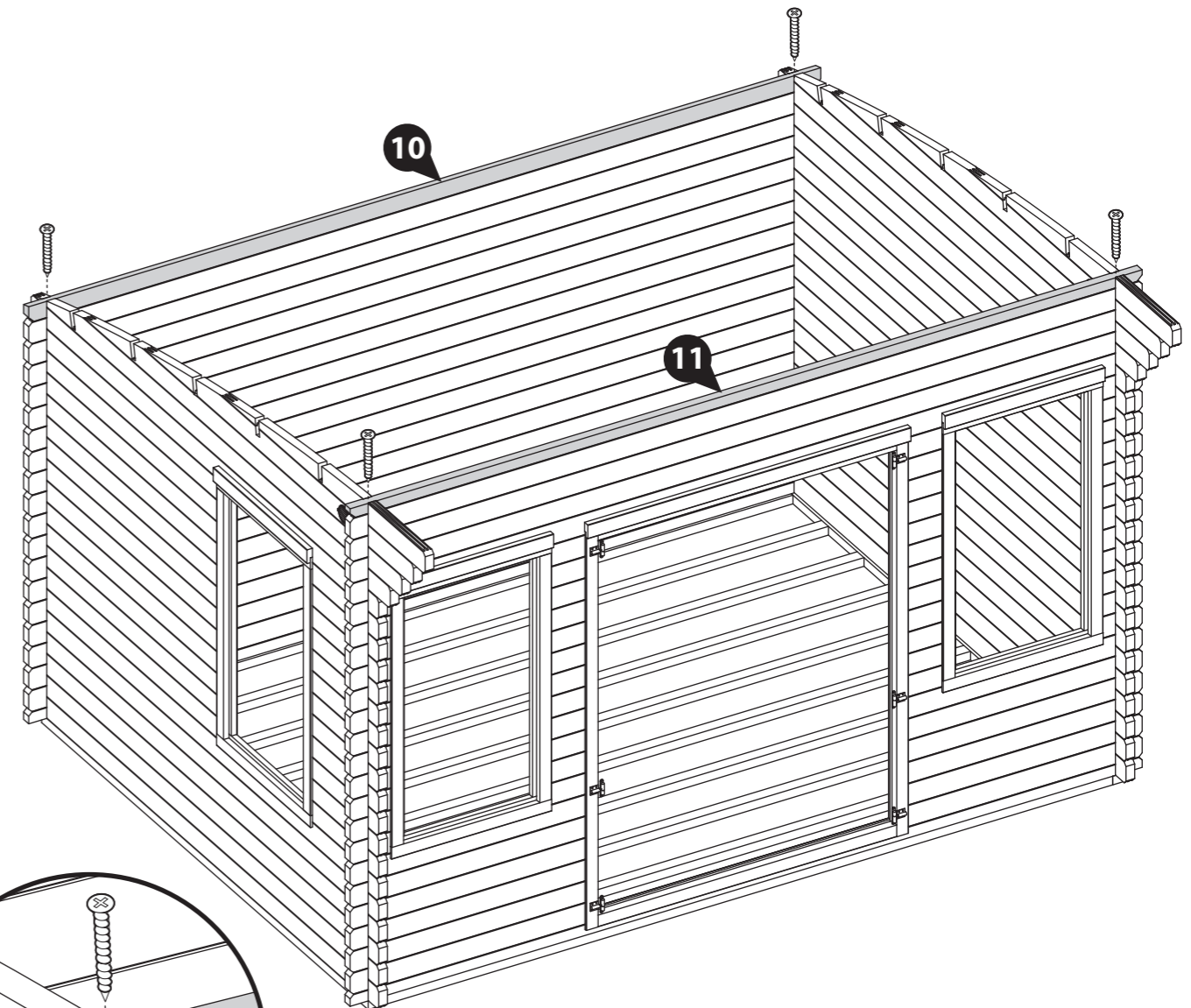


Following the method shown in the illustration, lay the Finisher boards (No. 10 & 11) onto the front and back of the log cabin.

***Ensure that the boards are level and flush with each other as you lay each one.**

Fix each board to the one below by screwing through the notch using 1x70mm screw per corner, as shown in the illustration.

4x70mm Screws
Important: Pre-drill before fixing screws.



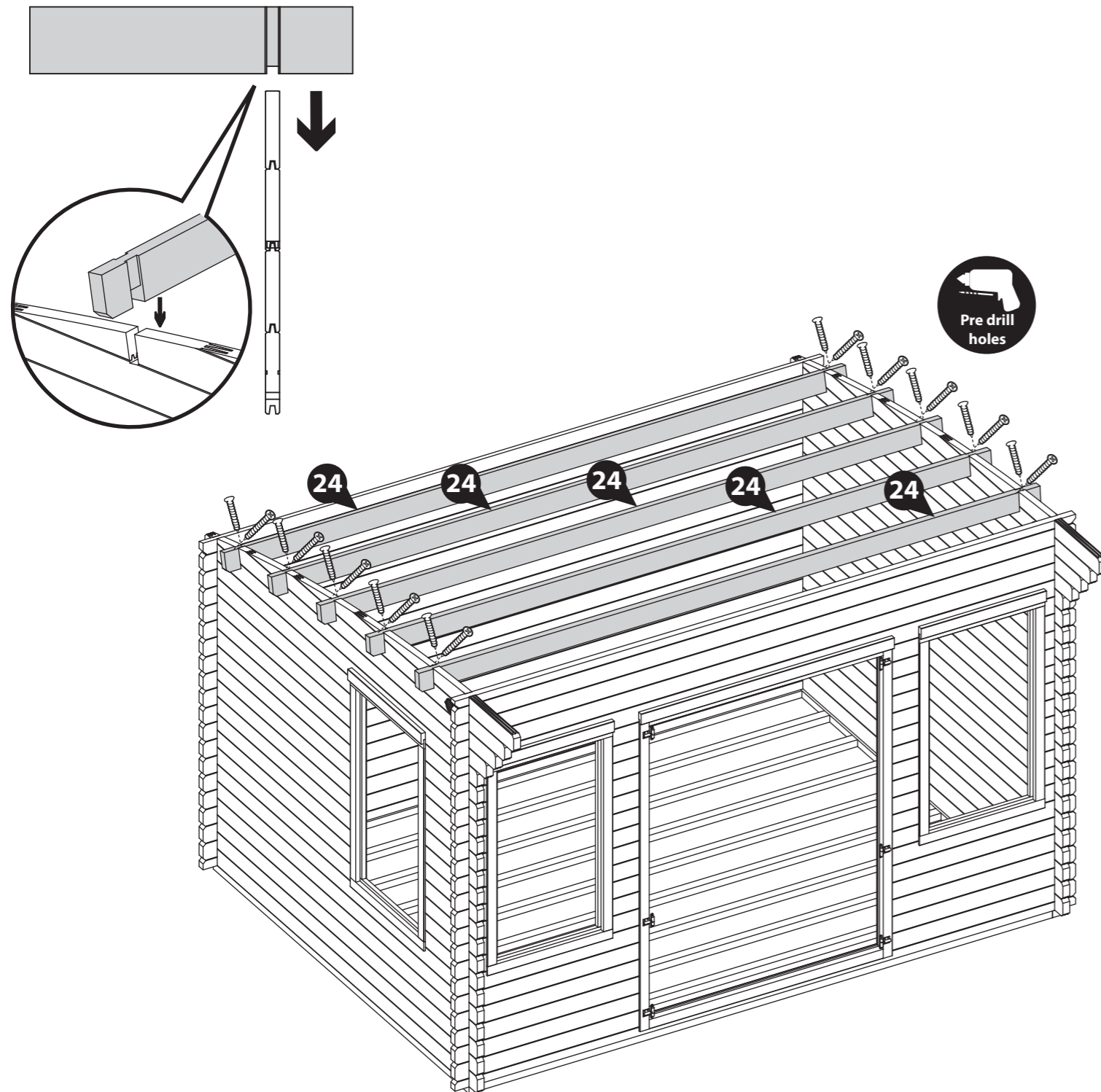
Step 17
Parts needed - No. 24 QTY 5

Align the Purlins (**No. 24**) into the cut out notches on the Gables, ensuring they interlock.

Note: Use a mallet and a scrap piece of wood to gently fix the purlins into position.

Secure the roof purlins by screwing through the purlin into the gable (ensure to pre-drill to avoid the boards splitting) using 2x70mm screws per notch.

20x70mm Screws
Important: Pre-drill before fixing screws.

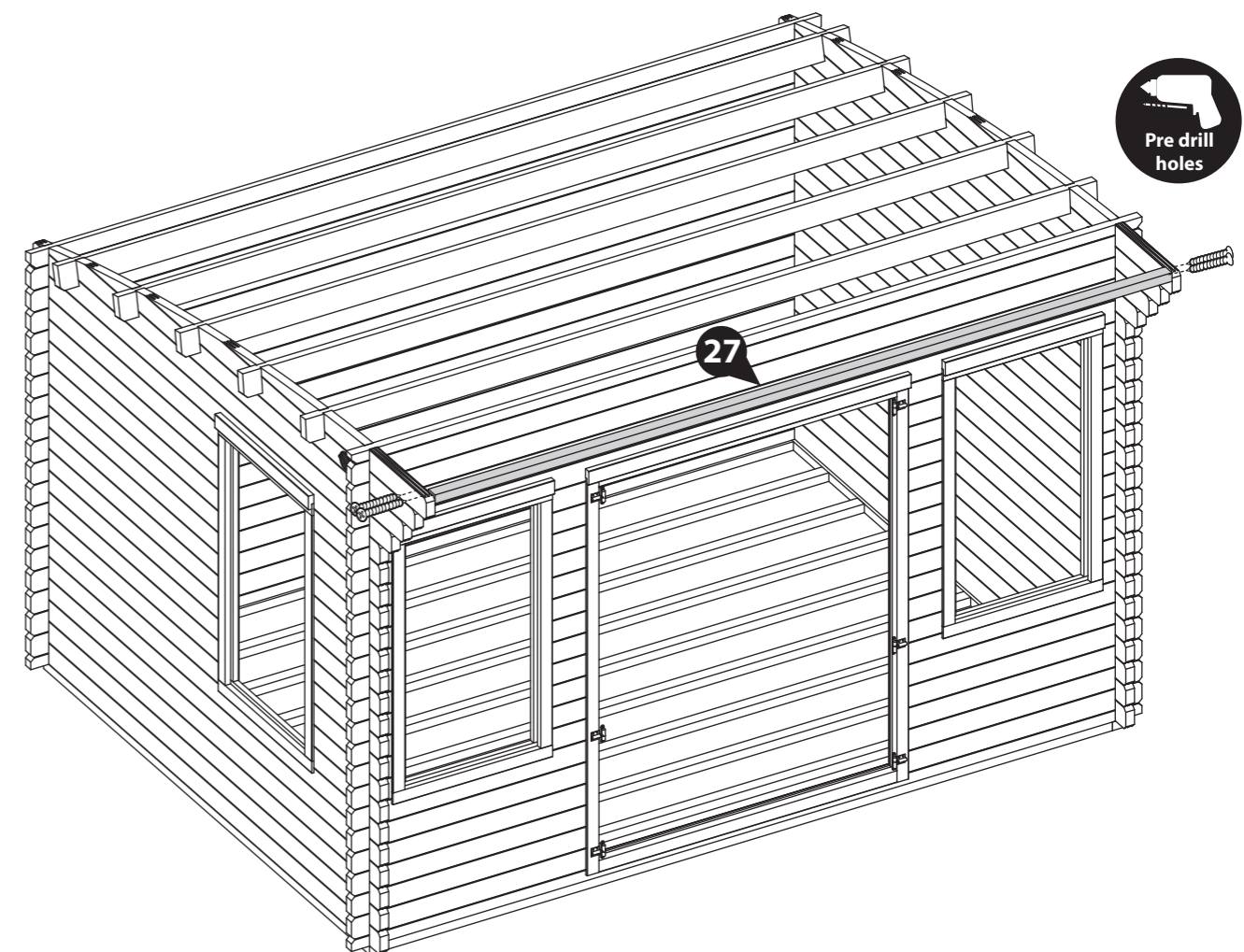


Step 18
Parts needed - No. 27 QTY 1

Locate the Front Eaves Frame (**No. 27**) between the top most Gable boards at the front of the building, as shown. Ensure the framing is flush to the front and top of the boards.

Secure the framing into position by screwing through the Log Boards and into the framing using 2x70mm screws per end.

4x70mm Screws
Important: Pre-drill before fixing screws.



Step 19

**Parts needed - No. 25 QTY 38
No. 35 QTY 5**

a Using a straight edge and a pencil, measure 76mm from the tongue edge of one Roof board (**No. 25**) and mark it on the board with a line. Cut along the pencil mark, ensuring that the 76mm side has the tongue remaining and remove the excess.

Place the cut down Roof Board (**No. 25**) onto the log cabin, making sure the straight edge of the board is **30mm away from the end of the roof purlin**, as shown. Once in position, fix to each purlin, the front and back log boards and the front eaves frame using 8x40mm screws.

b Continue to add the roof boards along the roof, making sure that each board is interlocked. Fix each one into position using 8x40mm screws,

To ensure the roof boards are not laid too close together, use the spacers (**No. 35**) provided to create a 2mm gap. Adjusting the spacing between the boards allows the wood to swell in damp weather.

You have been issued with 38 roof boards, however you may only need to use 37.

***Please note the boards will need bending to fit the curve of the roof.**

c The last board will overhang past the end of the purlins. Using a straight edge and a pencil, mark out a line on the board **30mm away from the end of the purlin** as a guide.

Cut along the pencil mark, ensuring the groove is remaining and remove the excess. Place the cut down board back onto the roof, ensuring there is at least 30mm overhanging past the end of the purlin and secure into place using 8x40mm screws per board.

Important note:

The last Roof Board is required to overhang the edge of the purlin by 30mm and fix into the purlin. If the gap from the last full Roof Board to the end of the purlin is less than 10mm, then adjustment is required to increase this space.

To do this, please take note of the moisture content of the roof boards. **If the boards are wet or damp**, then unscrew the boards and push them closer together until the final fits correctly. A rubber mallet may be required to do so.

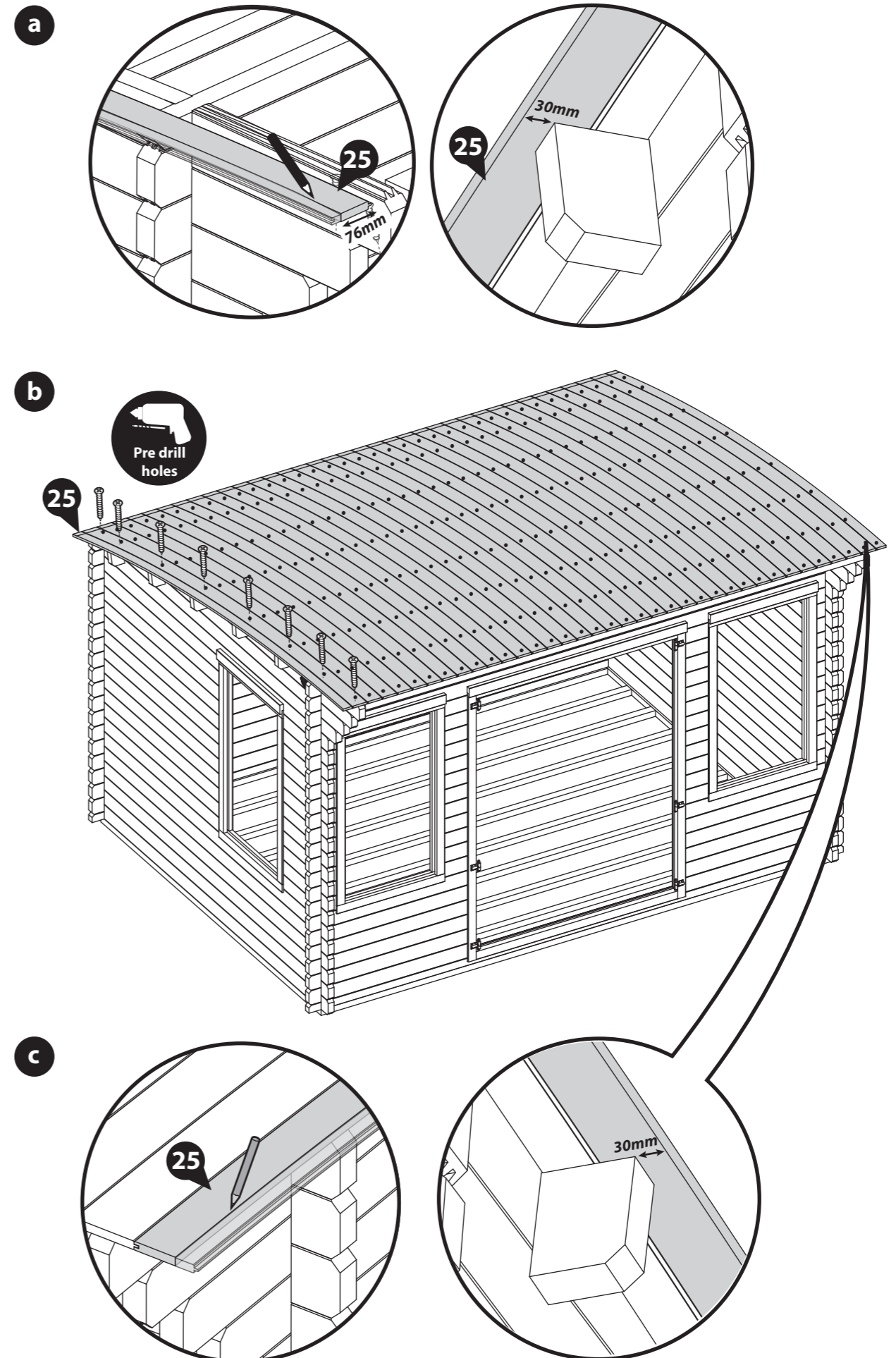
If the roof boards are dry, then unscrew the boards and space them further apart until the final board fits correctly.

Taking into account the moisture contents is important to ensure the longevity of your log cabin roof. The moisture content of the timber will change throughout the year and the boards will move. Adjusting them accordingly allows the boards to shrink and swell without hindering the structural integrity of the building.

If unscrewing and adjusting the boards positions doesn't work, the first and final board may need re-measuring and cutting.

304x40mm Screws

Important: Pre-drill before fixing screws.



Step 20

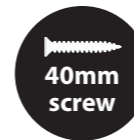
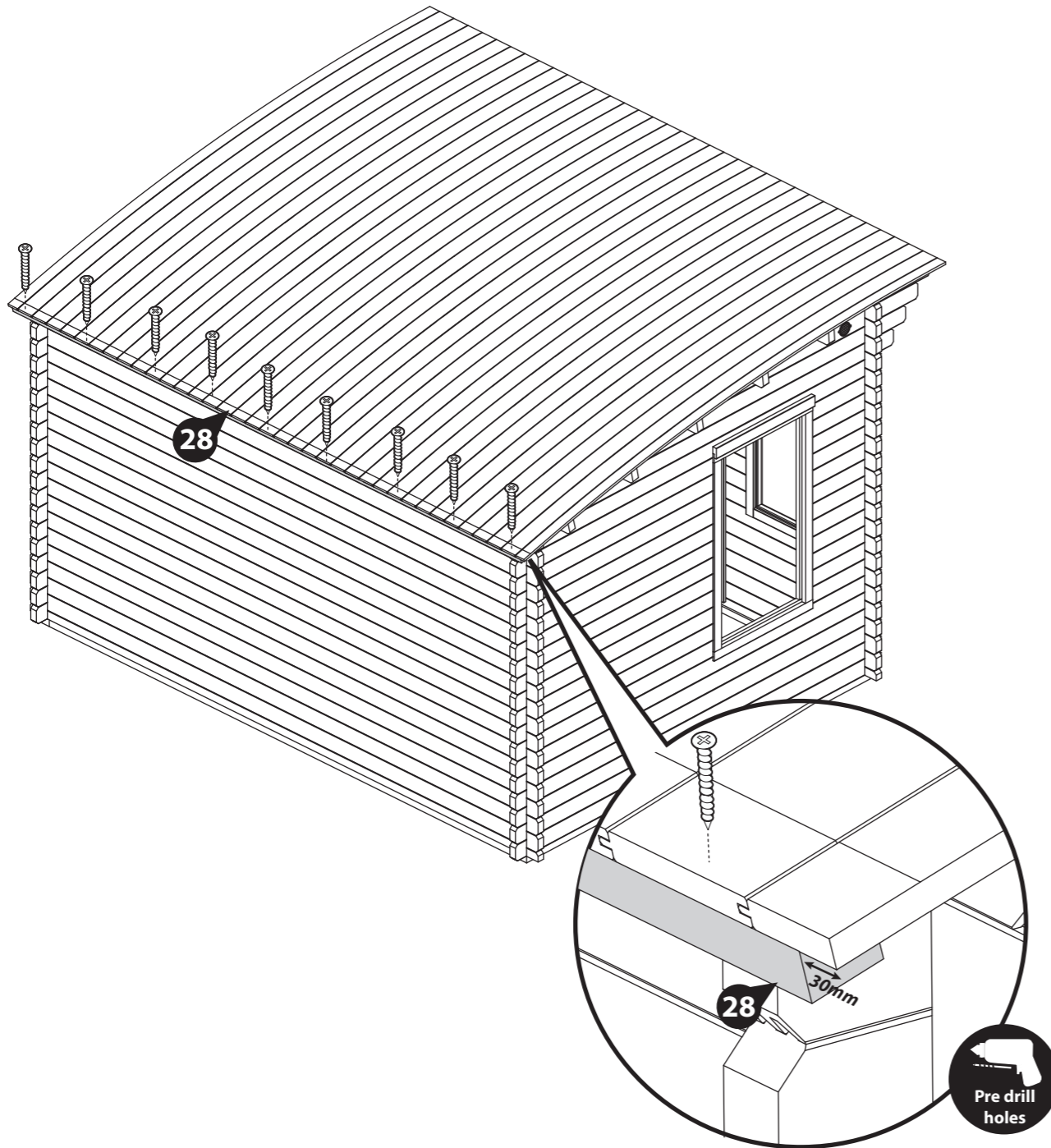
Parts Needed - No. 28 QTY 1

Ensuring the roof boards are flush at the front and back of the building, locate the Back Eaves Frame (No. 28) to the underside of the roof boards at the back of the building. Ensure the eaves frame is positioned centrally to the building and that there is a 30mm gap on each side.

Secure in place using 9x40mm screws, as shown in the illustration.

9x40mm Screws

Important: Pre-drill before fixing screws.



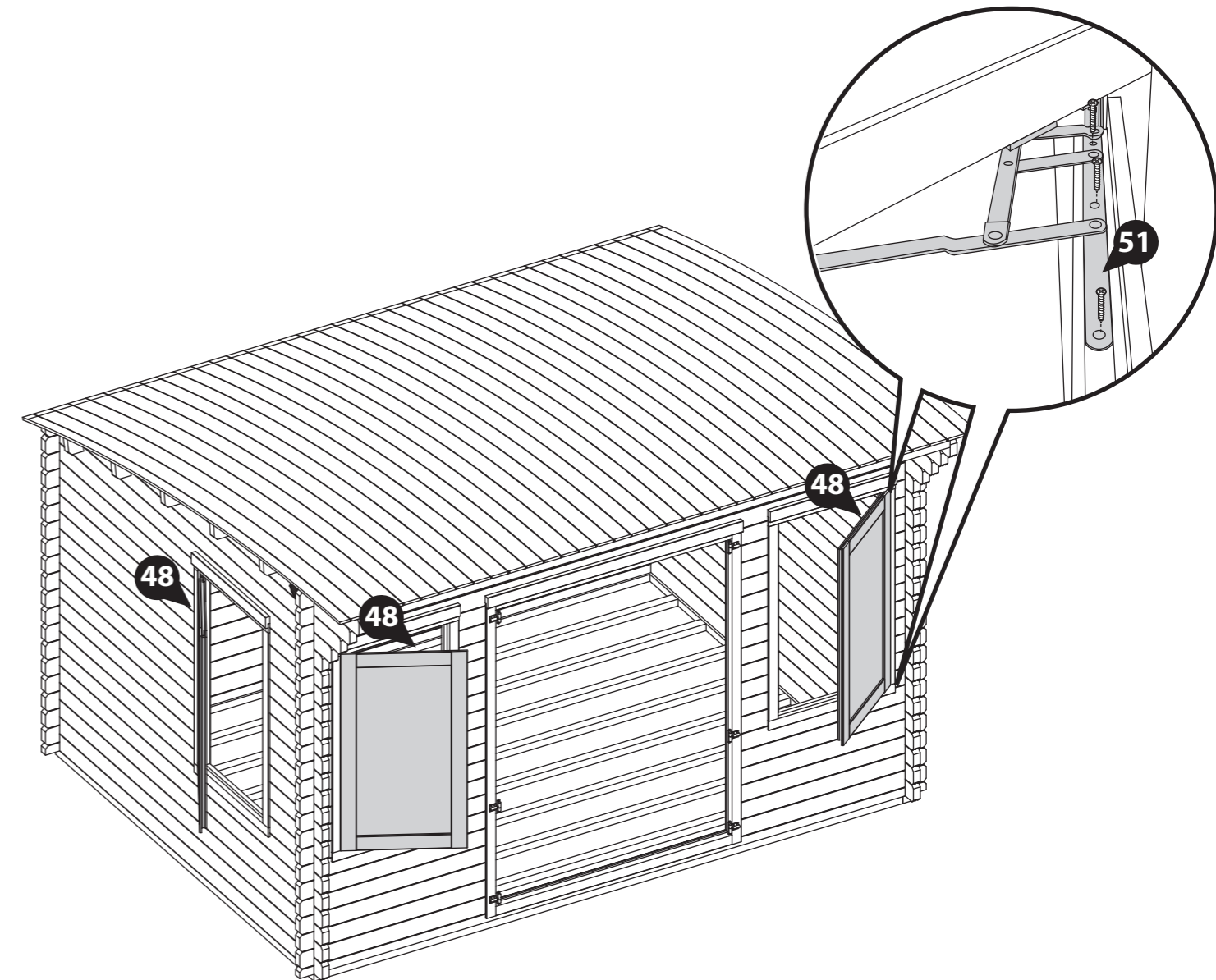
Step 21

Parts Needed - No. 48 QTY 3

Once the Roof is secured, open the window hinges and re-position the Window (No. 48) onto the hinges (as previously done in step 11) and fix in place using the same 3x30mm screws per hinge.

Ensure the window is able to open and close freely without getting stuck on the frame.

Use this method to fix all three windows into the frames.



Step 22

Parts Needed - No. 52 QTY 3

With the window (**No. 48**) shut tight, from the inside locate the Window Handle (**No. 52**) onto the window and the window casement pin onto the inside of the window frame, as shown.

Ensuring the two parts locate together and shut correctly, fix the handle in place using 2x30mm screws, and secure the pin in place using 2x30mm screws.

Check that when locked, the window is as tight to the frame as possible. This will ensure a tight seal when the window is shut.

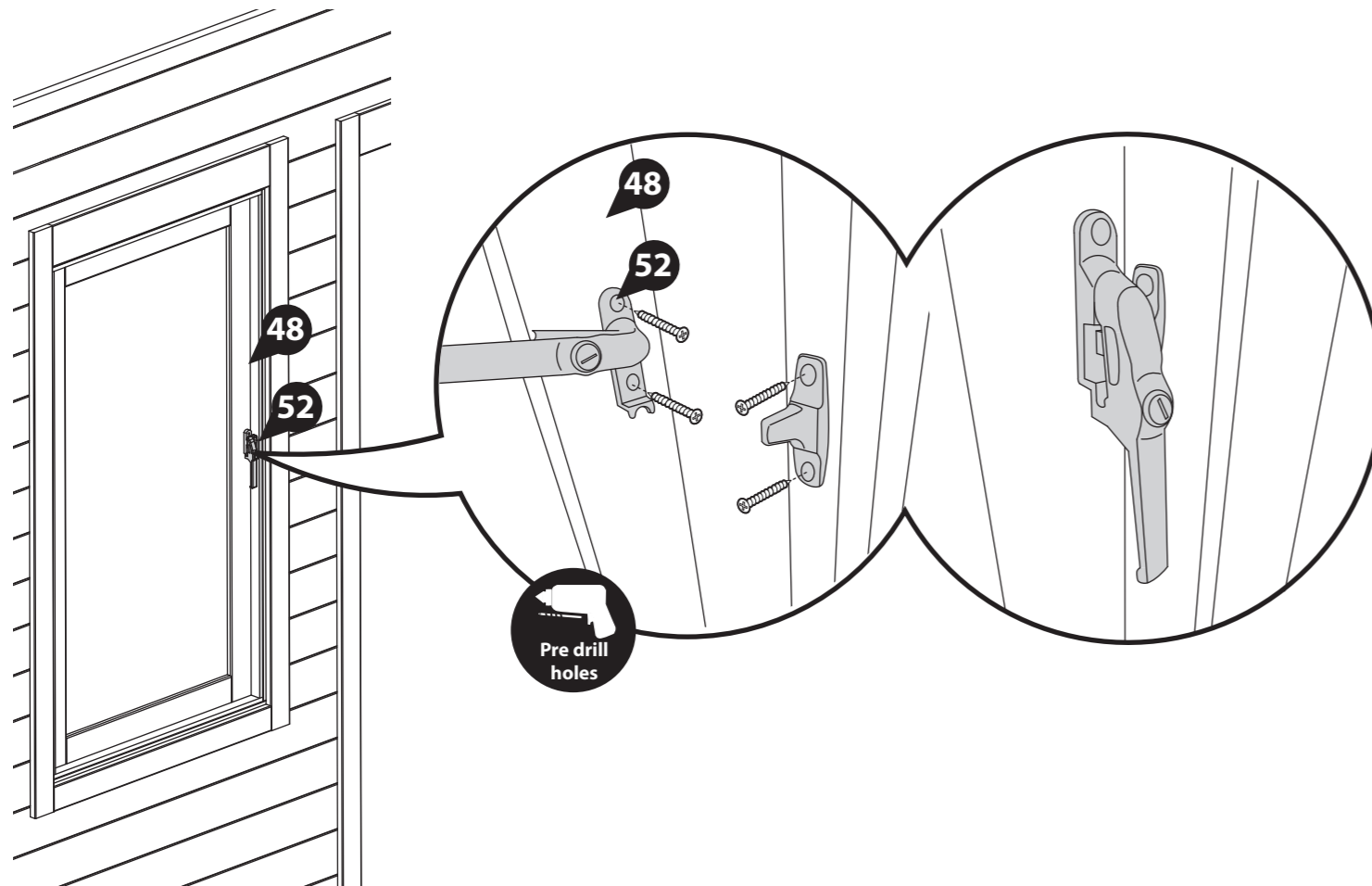
Use this method to locate and fix a handle to all three windows.

12x30mm screws

Important: Pre-drill before fixing screws.



Internal view of window



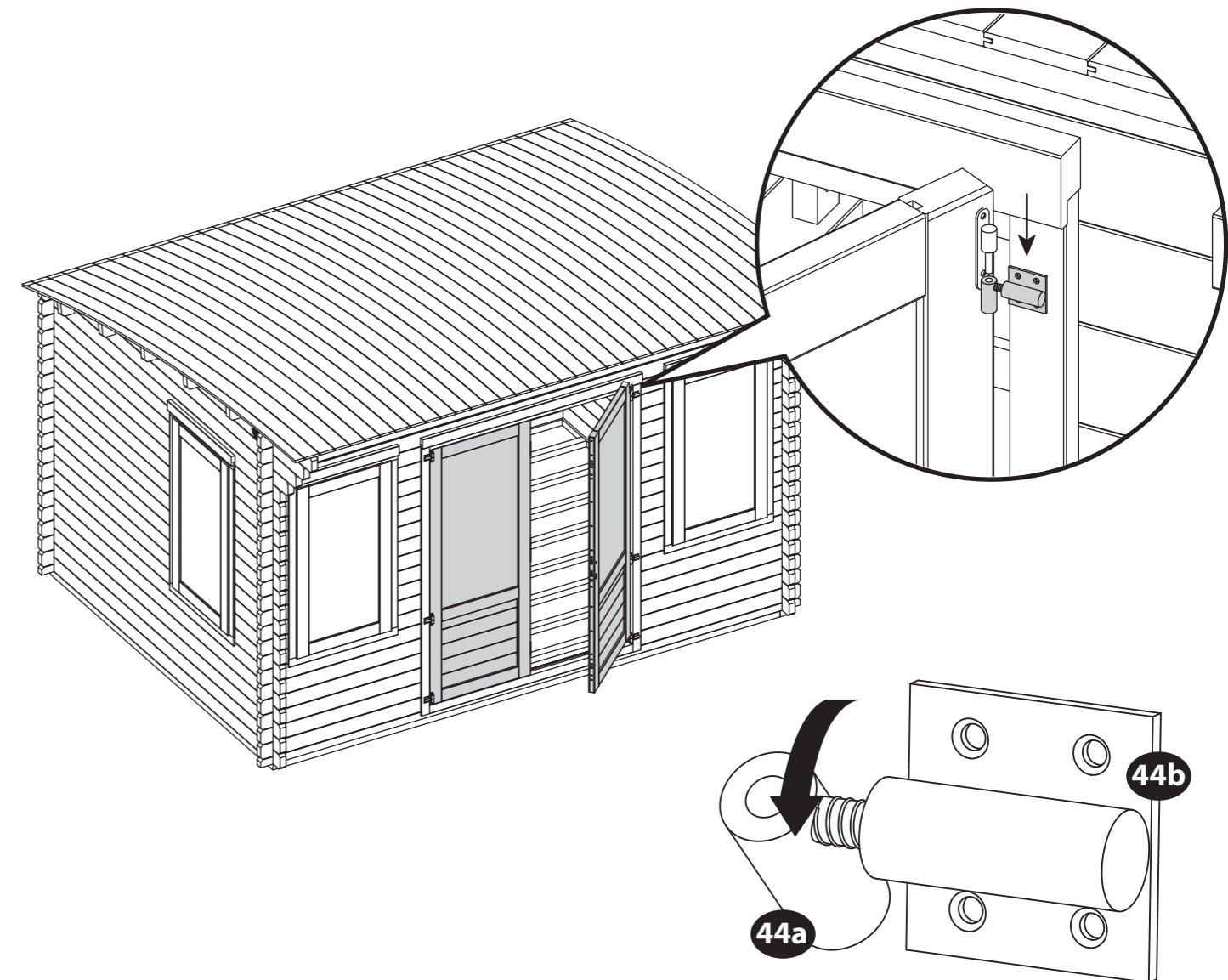
Step 23

Lift each Door onto the already existing hooks on the door frame, ensuring the hook and bands connect.

Tip: The adjustable hinges on the frames are loose and tend to spin when knocked. To aid in locating your Doors back onto the hinges, tape the loose hinges to the door frame to temporarily hold them in place.

***Some adjustment may be required to align properly. To adjust and align your Doors:**

1. Lift up the Doors to separate the two parts of the hinge.
2. Turn the rotating barrel (**No. 44a**) in / out to move the position of the Doors either in or away from each other.
3. You can then place the Door(s) back on to the hinge and check whether they require more / less adjustments, if further adjustments are required repeat number 2.



Adjusting the door hinges

Step 24

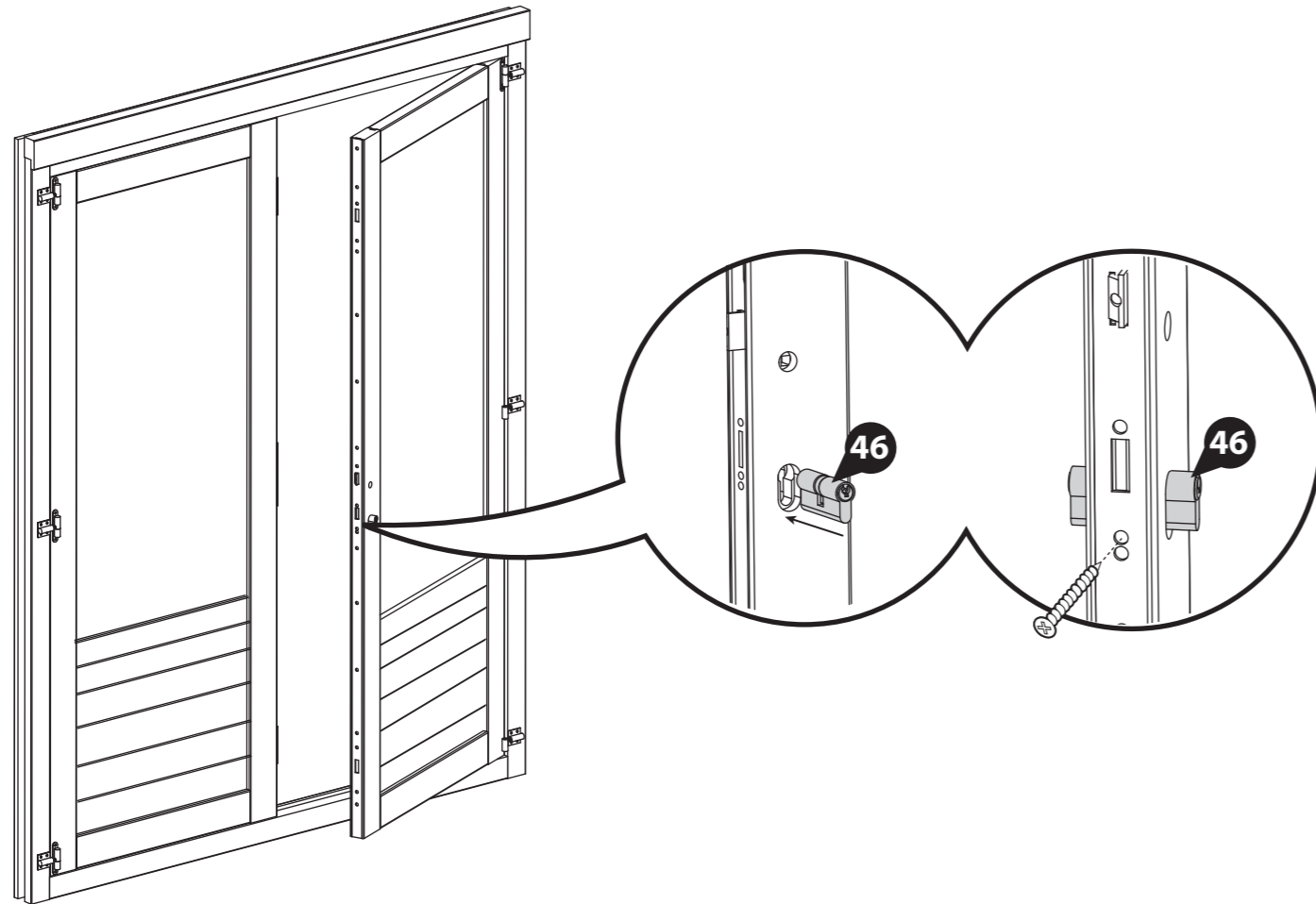
Parts Needed - No. 46 QTY 1

Open the Master Door (**No. 36**) and locate the Cylinder Lock (**No. 46**) into the lock shaped hole in the Central Lock. Ensure the Cylinder is positioned centrally in the door stile, as shown.

Fix the Cylinder lock in place using the screw provided.



Drill / Pre drill



Step 25

Parts Needed - No. 45 QTY 1

From the Handle set (**No. 45**) position the Metal bar through the central lock and connect one handle onto either side, as shown. Ensure the handle with the screw holes sits on the inside of the Master door.

Fix the Handles in place using the two screws provided in the set.

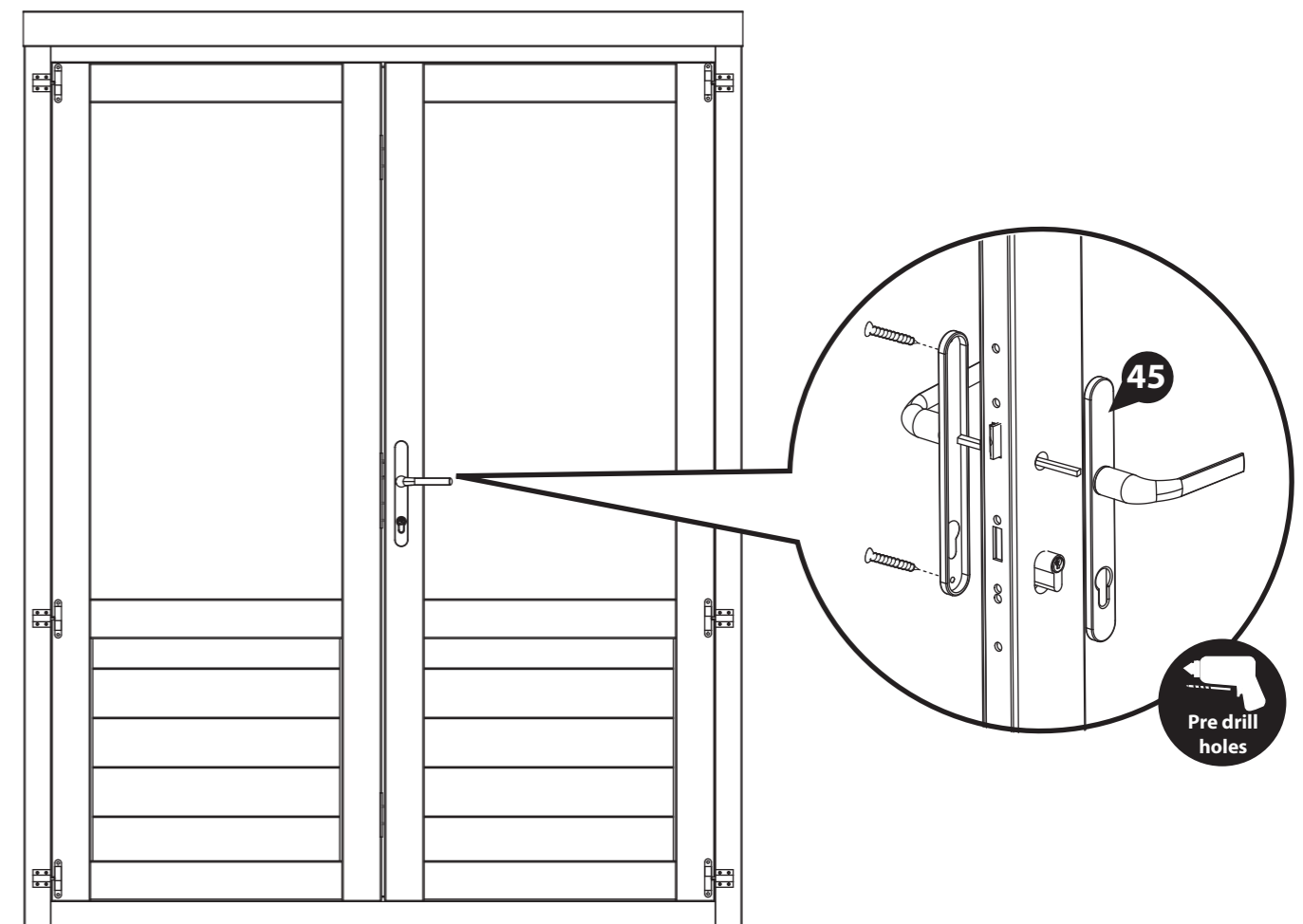
Ensure the top and bottom Hook bolts work correctly and lock into the secondary door by lifting the handles. If not, your hinges may need adjusting, please refer to step 23 for a guide. Also make sure the cylinder lock locates properly into the secondary door when locked using the key, if not, then unscrew and re-adjust.

***Please note:** Once the components have been fitted, try closing doors to ensure the doors can be closed and the lock works. If your doors do need adjusting, please refer to step 23.

Important: Pre-drill before fixing screws.



Drill / Pre drill



Step 26

Parts Needed - No. 42 QTY 1
No. 47 QTY 2

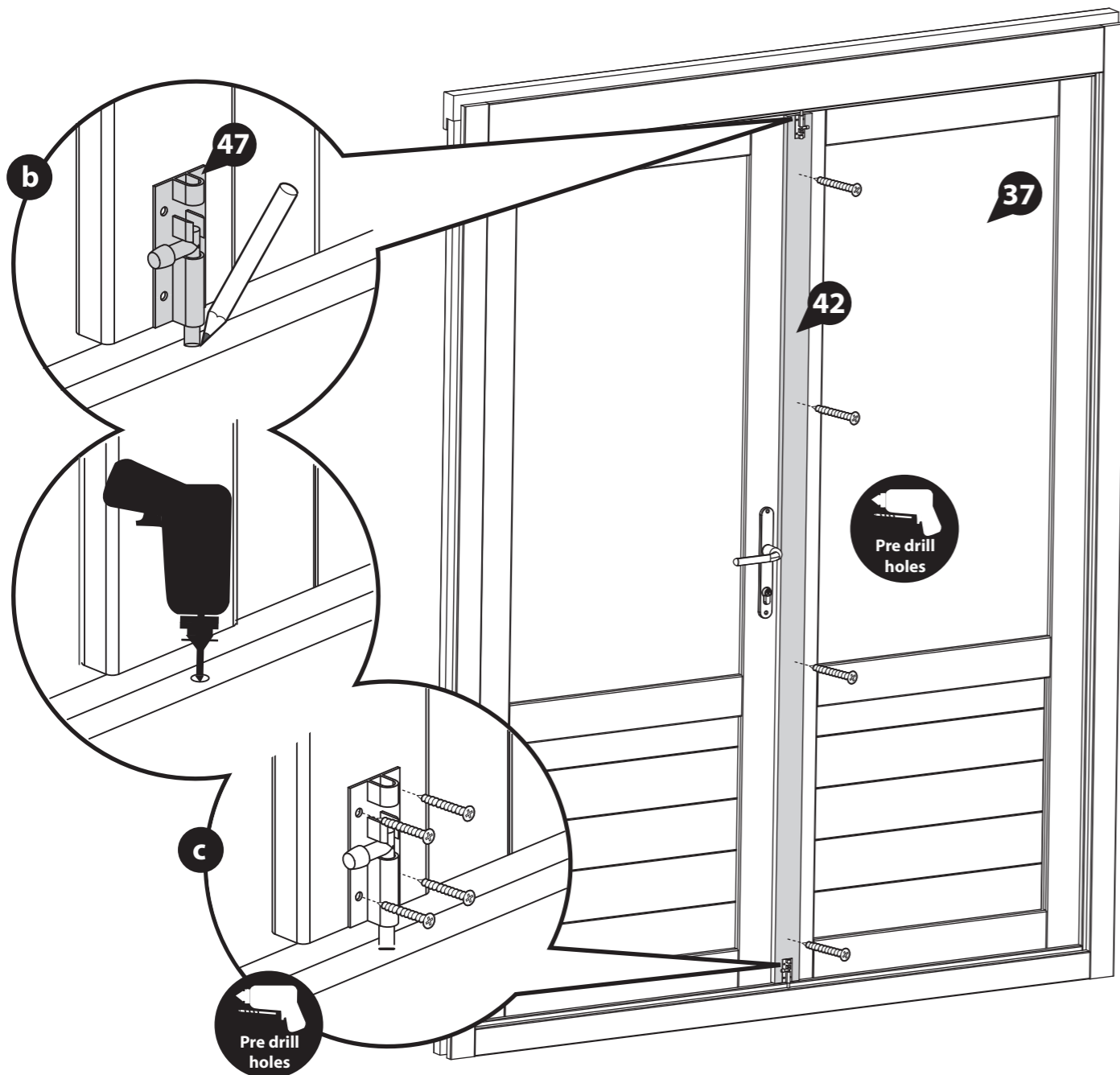
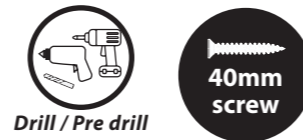
- a** Attach the Door Strip (No. 42) to the back of the Secondary Door (No. 37) using 4x40mm screws, as shown.
- b** Once fixed, place the Tower Bolts (No. 47) roughly into position at the top/bottom of the door strip. With a pencil, mark around the bolt.

After marking the bolt onto the frame, drill a hole for the barrel bolt to locate into.

- c** Following the hole being drilled, place the tower bolts into position and secure using the screws provided.

4x40mm Screws

Important: Pre-drill before fixing screws.



Step 27

Parts Needed - No. 26 QTY 35

- a** Place the first floor board (No. 26) inside the building flush to the log board on one side. Continue adding the floor boards (*internally*) making sure to interlock each individual board.

You have been issued with 35 floor boards, but in reality you may only need to use 34.

***Do NOT secure the boards until the last board has been measured and cut.**

- b** Once a full board can no longer fit, measure the gap between the bottom of the tongue (*on the last board placed*) and the log board. Ensure to measure at multiple points along the board for added accuracy.

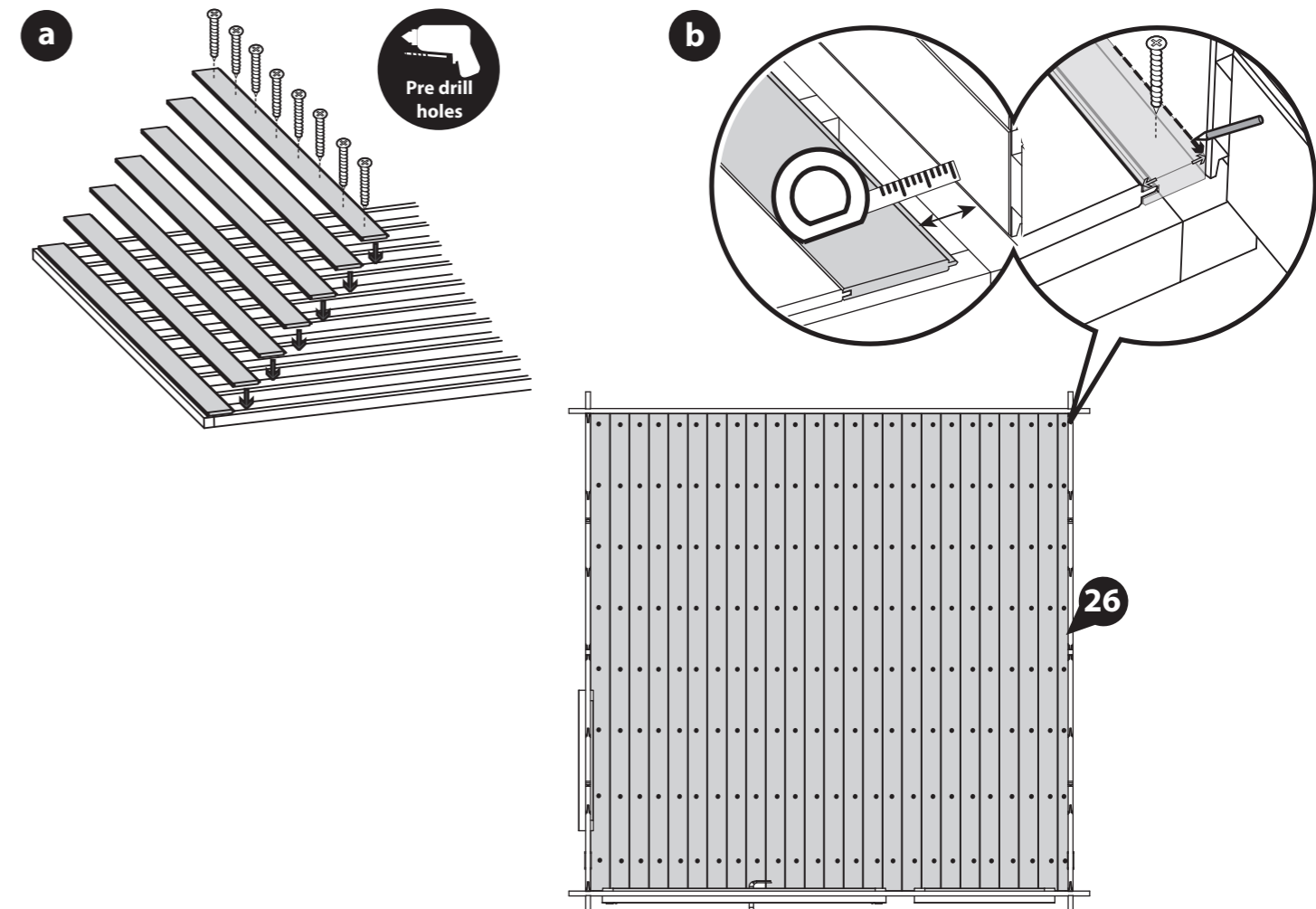
Using a straight edge, mark out the measurement onto the last floor board (No. 26), saw along the length and remove the excess. *Mark the final board 2mm under the measurement; This will allow the timber to expand and contract correctly.*

Once all the floor boards are in position, secure each board into position using 8x40mm screws per board.

*****Please Note:** Ensure to screw through each of the floor boards into the floor bearers.

280x40mm Screws

Important: Pre-drill before fixing screws.



Step 28

Parts needed - No. 31 QTY 8

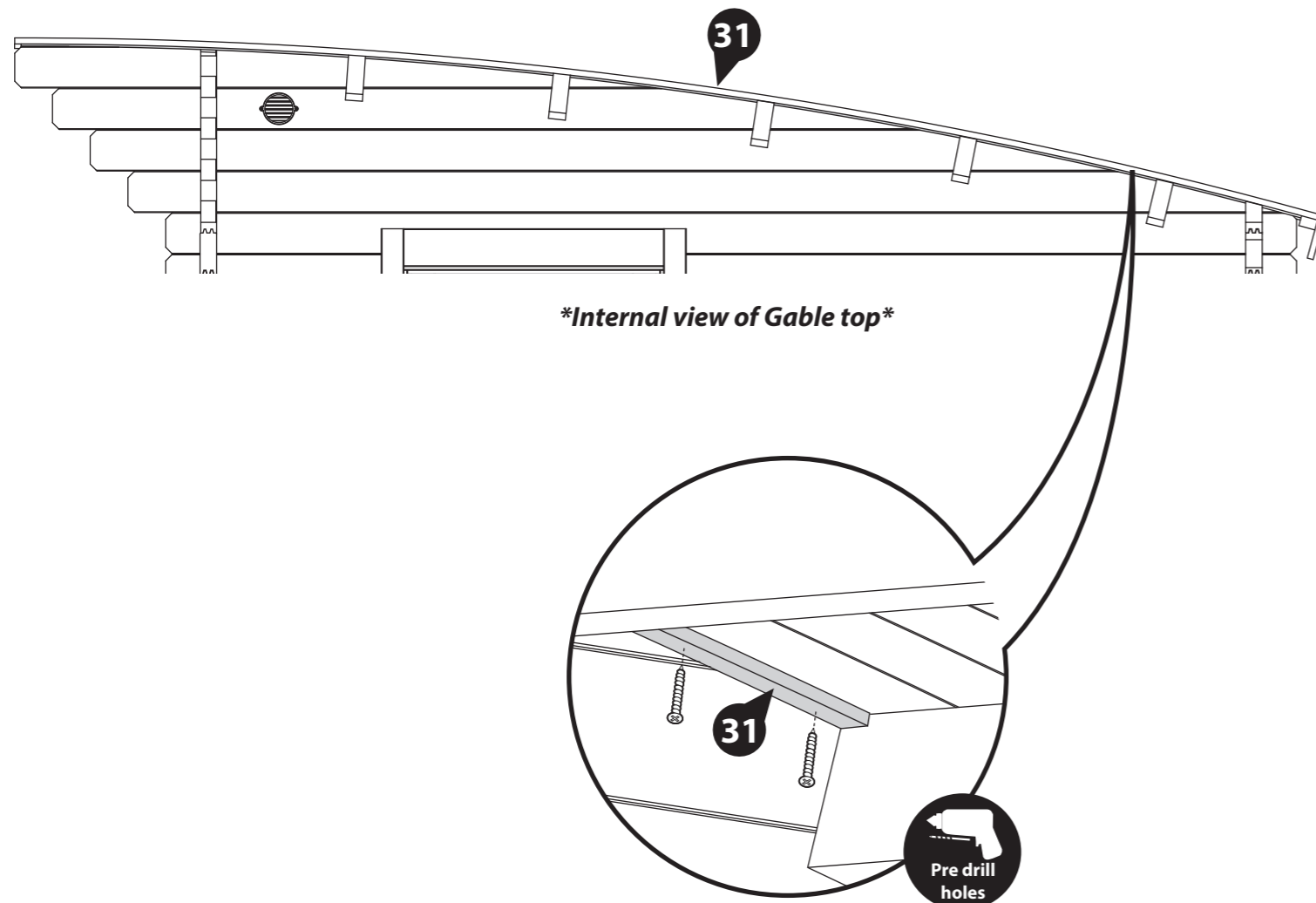
Internally and externally along the top of the Gable, align the closure trims (**No. 31**) flush against the curve of the roof and up to the boarding, as shown. Ensure the widest part of the trim is positioned flat against the roof, as this will be easier to align with the curve of the roof.

***Measure and cut the closure trims to fit the internal spaces.**

Fix each trim in place using 30mm screws, screwing up through the trim into the roof boarding, as shown. Ensure to equally space the screws along the cut down trims.

48x30mm Screws

Important: Pre-drill before fixing screws.



Step 29

Parts needed - No. 31 QTY 5

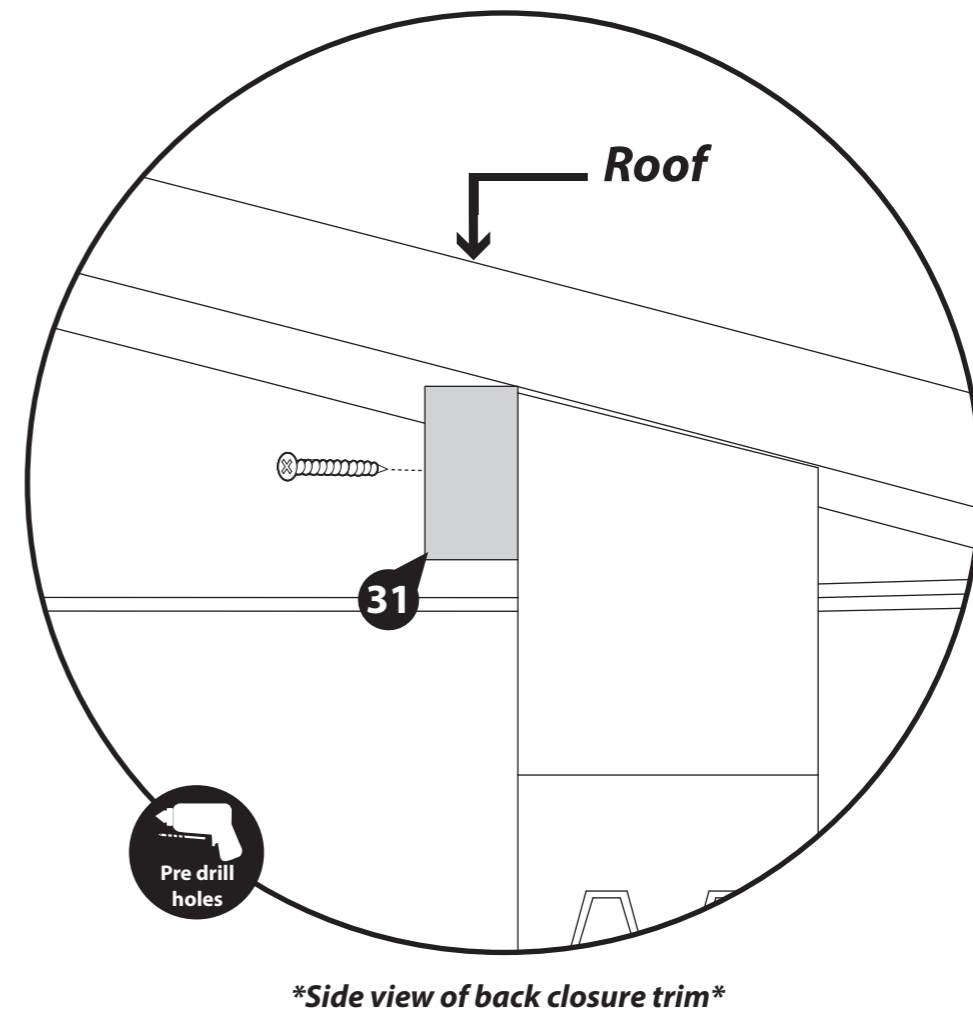
Internally, on the front and back walls, place the closure trims (**No. 31**) against the boarding and align with the roof, as shown.

***Measure and cut the closure trims to fit the internal space.**

Fix in place using 6x30mm screws per trim, equally spacing them along the face of the trim.

30x30mm Screws

Important: Pre-drill before fixing screws.





Cutting tool

Felt tacks

Step 30

Parts needed - No. 31 QTY 6

Once the floor has been laid, arrange the closure trim (**No. 31**) around the outside edge of the floor (*internally*), measure and cut down accordingly to best match the internal space.

Secure each trim section into place using 6x30mm screws spaced equally along the board as shown in the illustration.

***Do NOT fix the closure trim to the floor boards.**

30x30mm Screws

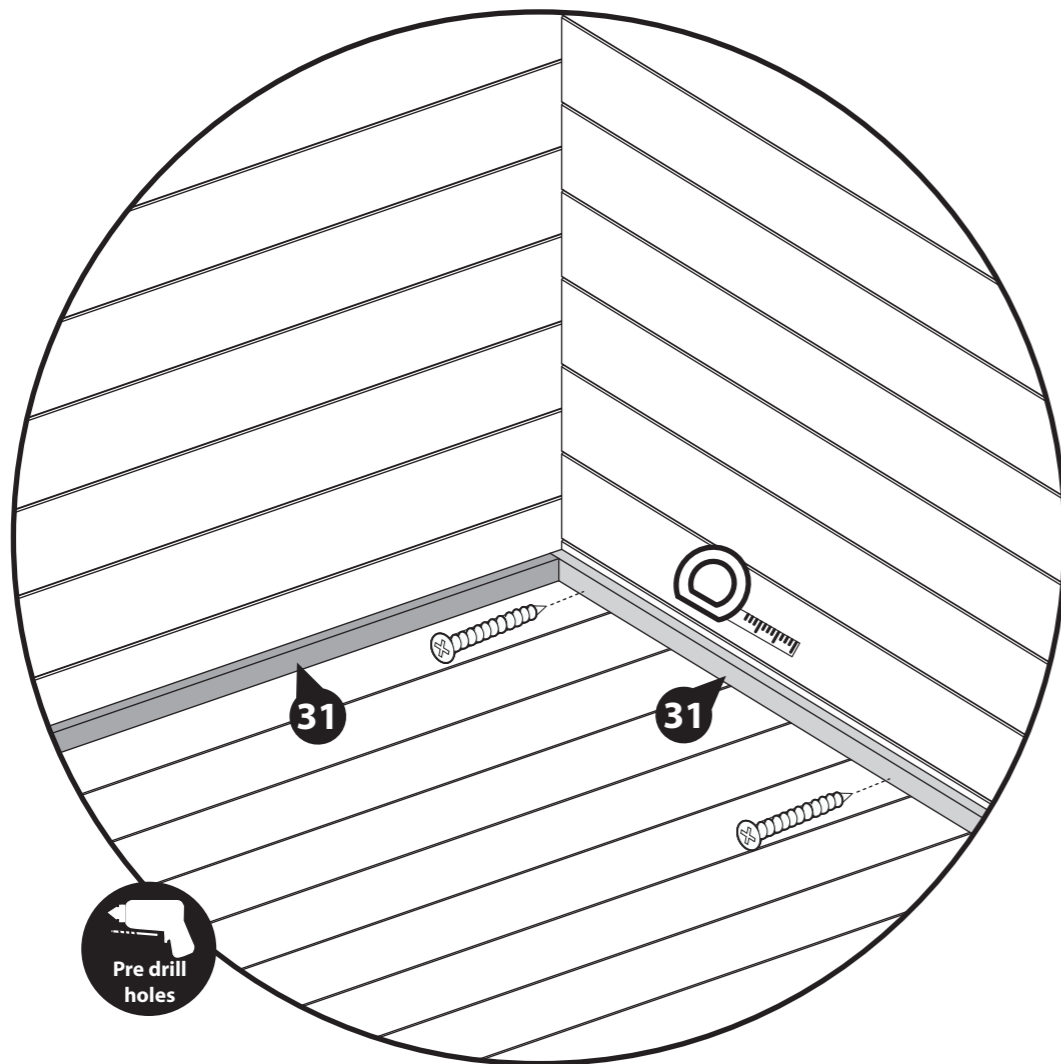
Important: Pre-drill before fixing screws.



Saw

Drill / Pre drill

30mm screw



Step 31

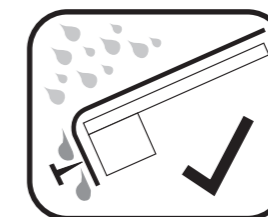
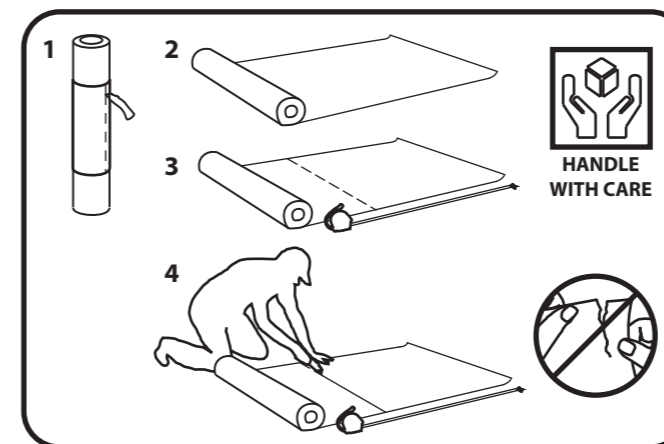
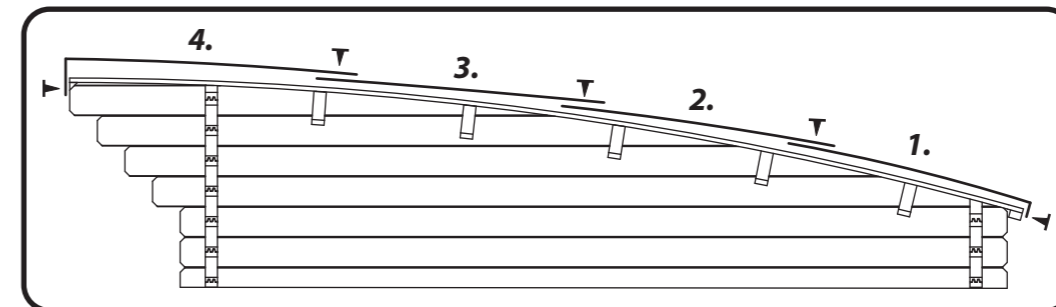
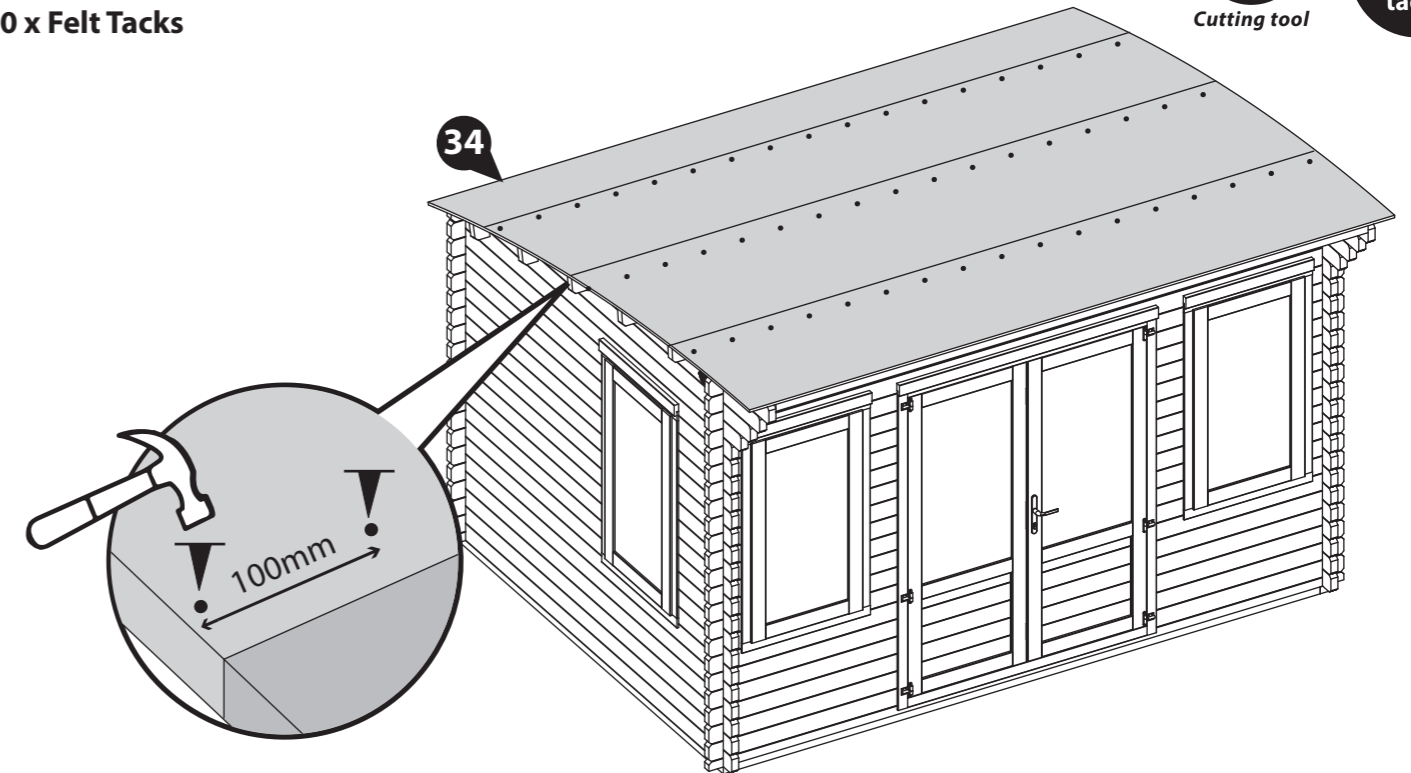
Parts needed - No. 34

Cut the Felt (**No. 34**) into four sheets measuring: **4110mm (L) X 1000mm (W)**.

Lay the sheets onto the roof in the order shown in the illustration. Ensure there is at least 50mm of overhanging Felt around each side of the building and that each sheet overlaps the next by at least 100mm.

Once the felt is laid out, fix to the roof using felt tacks at 100mm intervals.

250 x Felt Tacks



Step 32

Parts needed - No. 29 QTY 2

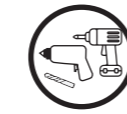
Locate the Roof Trims (**No. 29**) on the underside of the Roof at the sides, ensuring the trim is flush to the end of the purlins.

Make sure to trap the felt between the roof and the trim.

Secure the Roof Trims (**No. 29**) in place using 5x30mm screws per trim, ensuring to screw through the trim into the roof boards.

10x30mm Screws

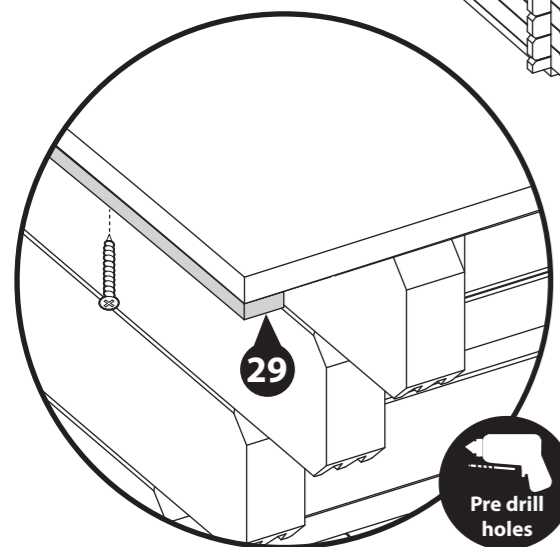
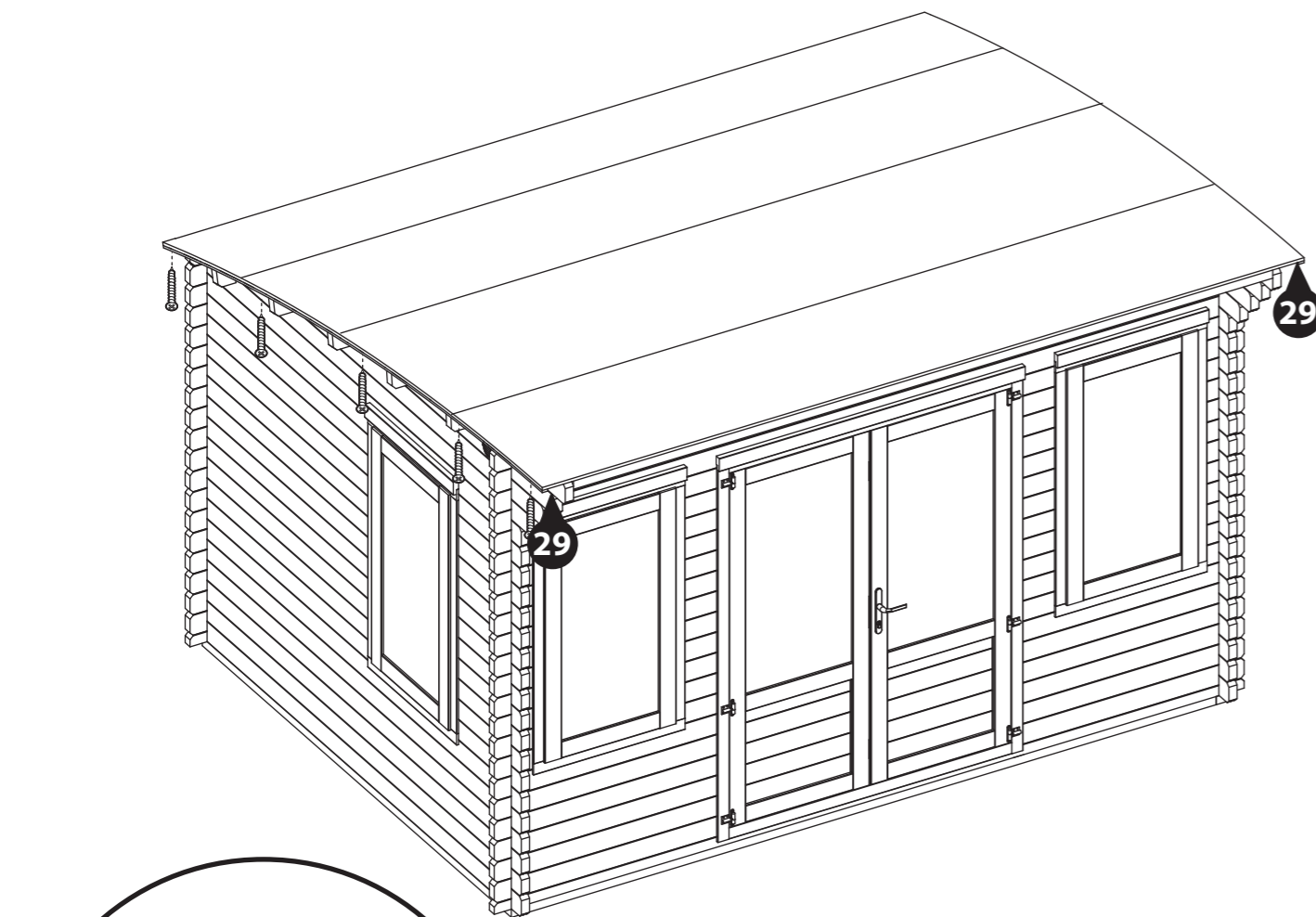
Important: Pre-drill before fixing screws.



Drill / Pre drill



30mm screw



Step 33

Parts Needed - No. 30 QTY 4

Locate the Fascias (**No. 30**) to the front and back of the log cabin, aligning them centrally to the building (*ensuring to trap the felt in between the fascias and the roof*). Secure in place using 3x40mm screws per fascia, screwing through the Fascia in to the Eaves frame behind.

Once in place mark the excess Fascia with a pencil and trim the Fascias to follow the shape of the building as shown in the illustration.

Ensure the fascias at the back of the log cabin sit level or lower than the felt to allow water to run off.

12x40mm Screws

Important: Pre-drill before fixing screws.



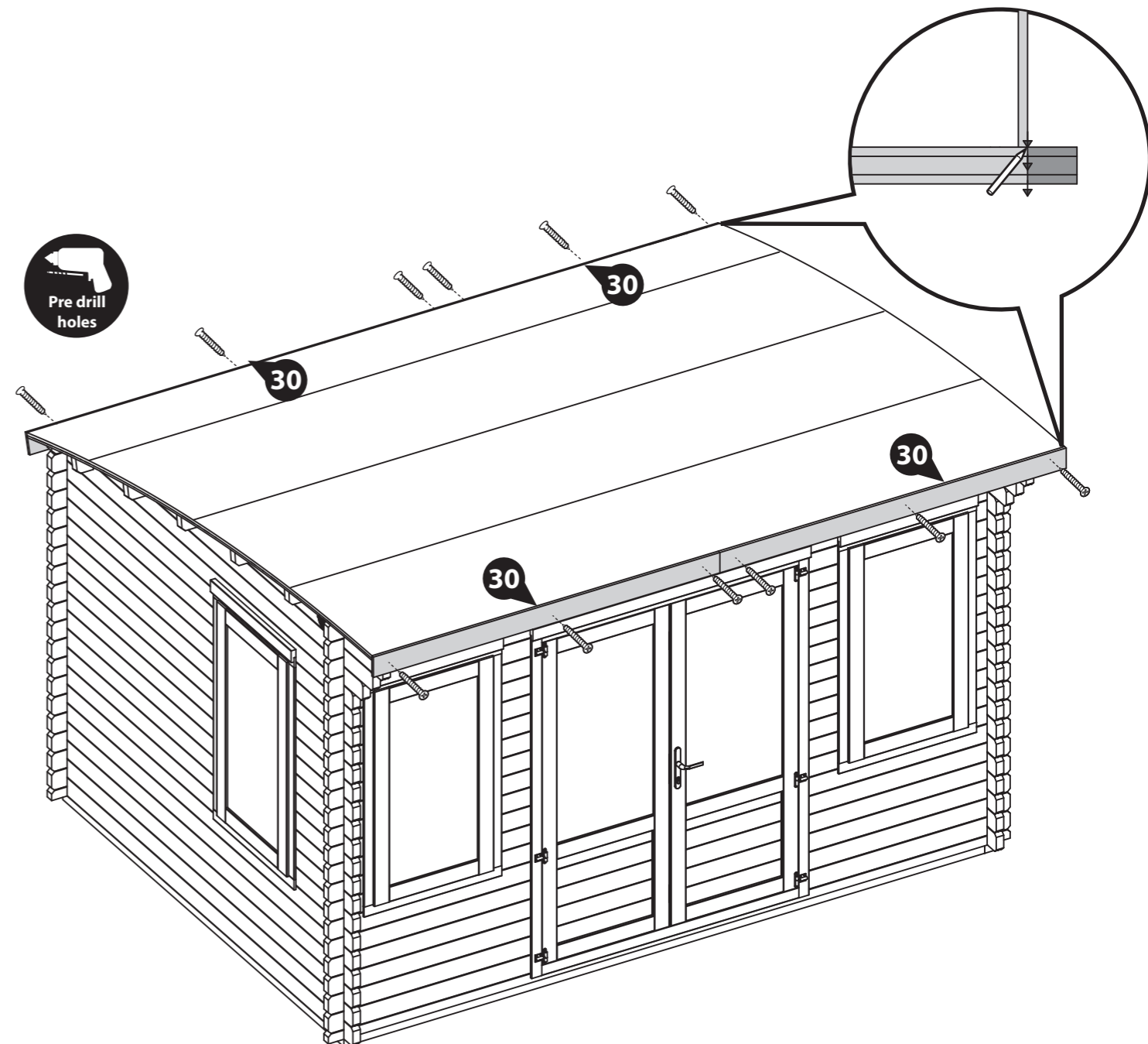
Saw



Drill / Pre drill



40mm screw



Step 34

Parts needed - No. 32 QTY 8

Arrange the storm braces (**No. 32**) around the building (*internally*), placing two storm braces per wall.

***Ensure the storm braces are secured at the highest point possible on each side.**

Fix in place using 2x90mm bolts per brace, making sure the washer & nut are tightened from the outside of the building.

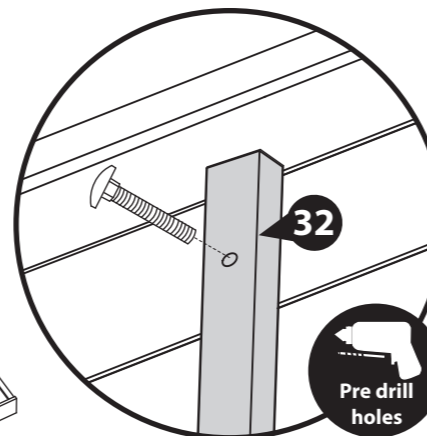
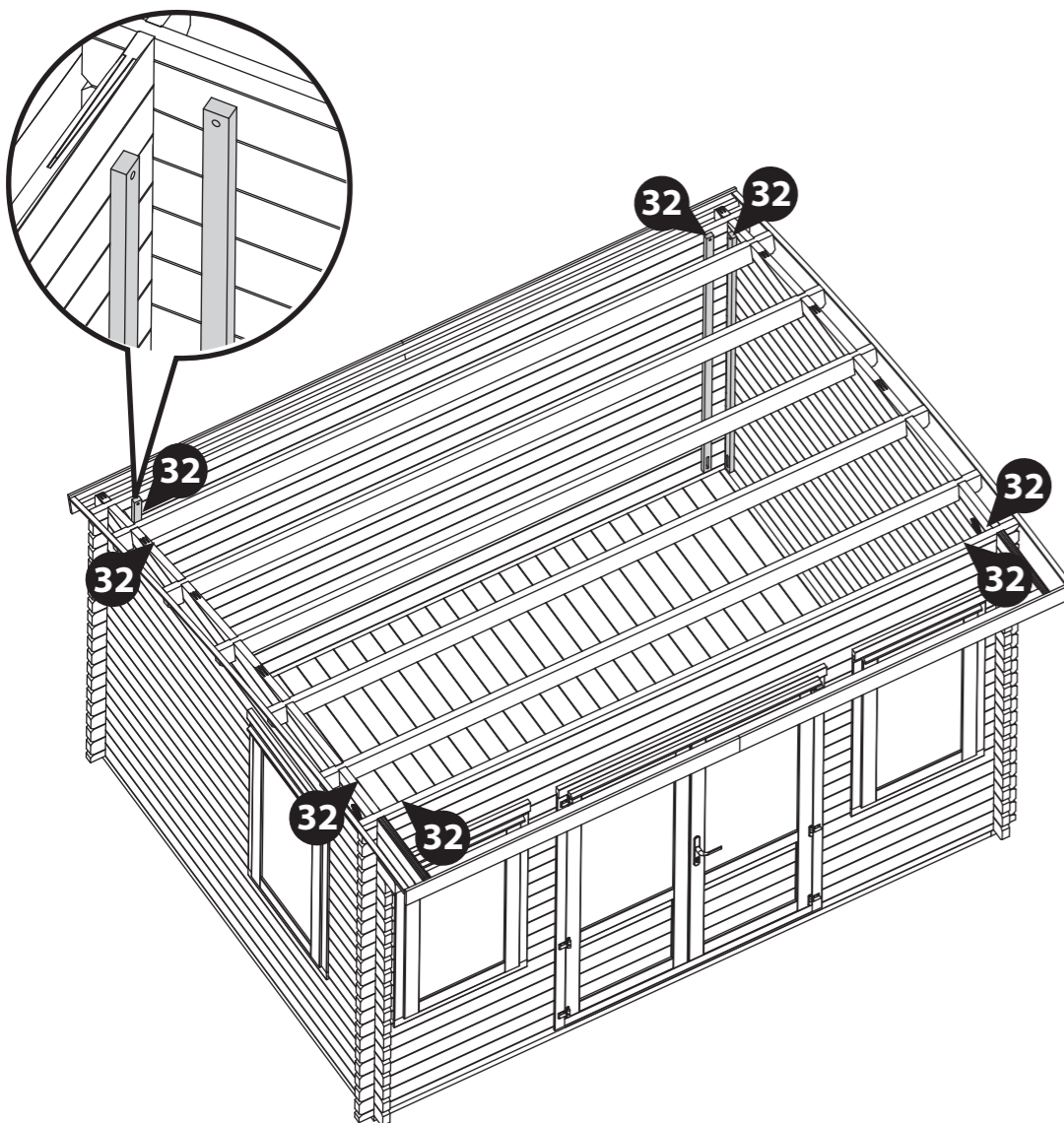
The storm braces will need to be altered during the buildings life as the moisture content within the log boards changes. The boards will expand during periods of high moisture (Winter) and shrink during periods of low moisture (Summer).

****Storm braces are required to be adjusted during changes in humidity to allow the building to expand and contract. To do this, periodically loosen the bolts, adjust the storm brace position and re-tighten.**

*****Important: Ensure each bolt is tightened using a washer so as not to damage the log boards.**

16x90mm Bolt Sets

Important: Pre-drill before fixing screws.



Step 35

Parts Needed - No. 43 QTY 1

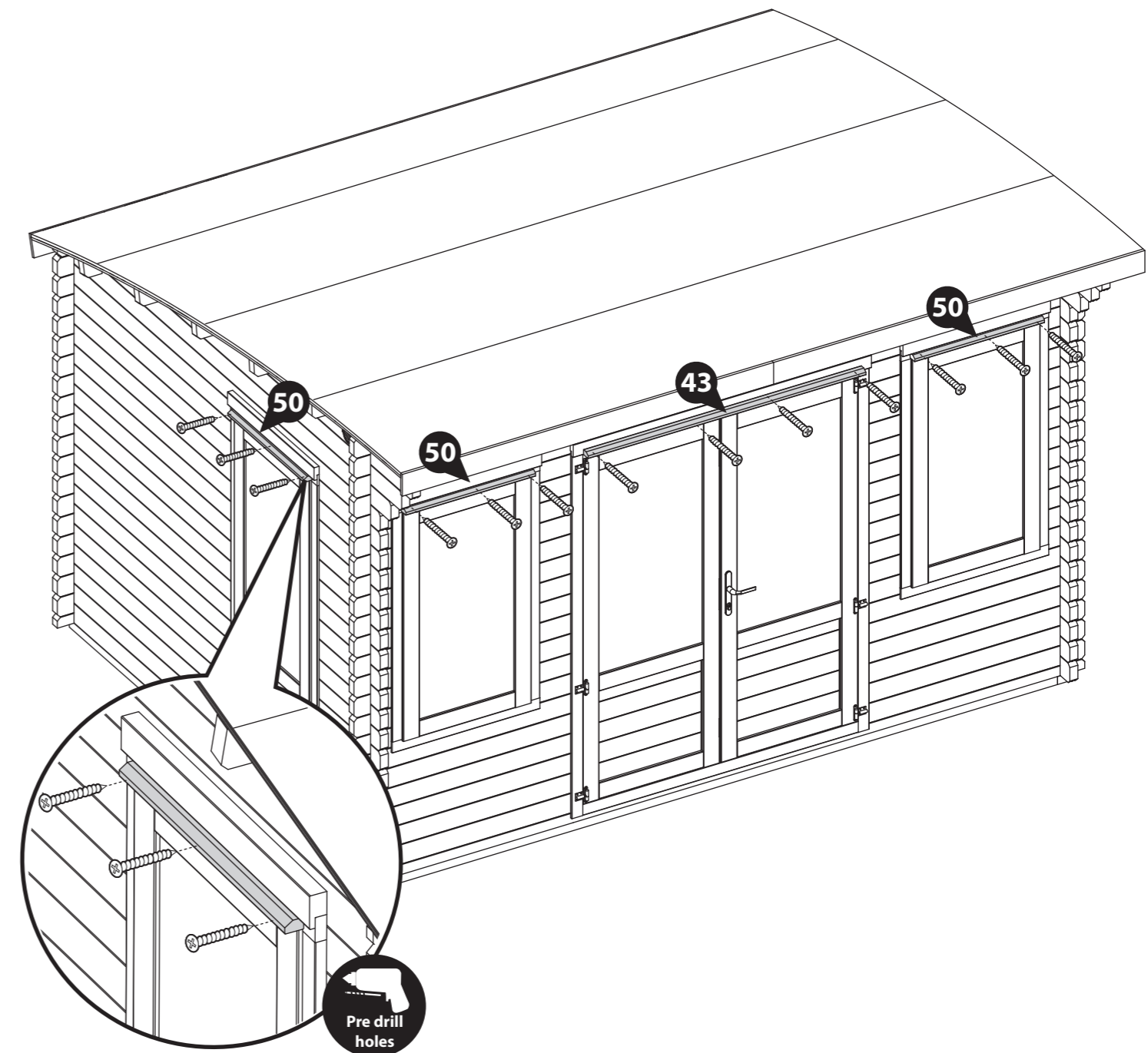
No. 50 QTY 3

Attach the Rain Guards (**No. 50**) to the Window frames, ensuring to position the rain guards directly above the windows, flush to the underside of the top framing, as shown. Make sure the rain guards are positioned centrally. Fix in place using 3x70mm screws per guard.

Attach the Rain Guard (**No. 43**) to the Door frame, fixing in place onto the framing above the Door using 4x70mm screws.

13x70mm Screws.

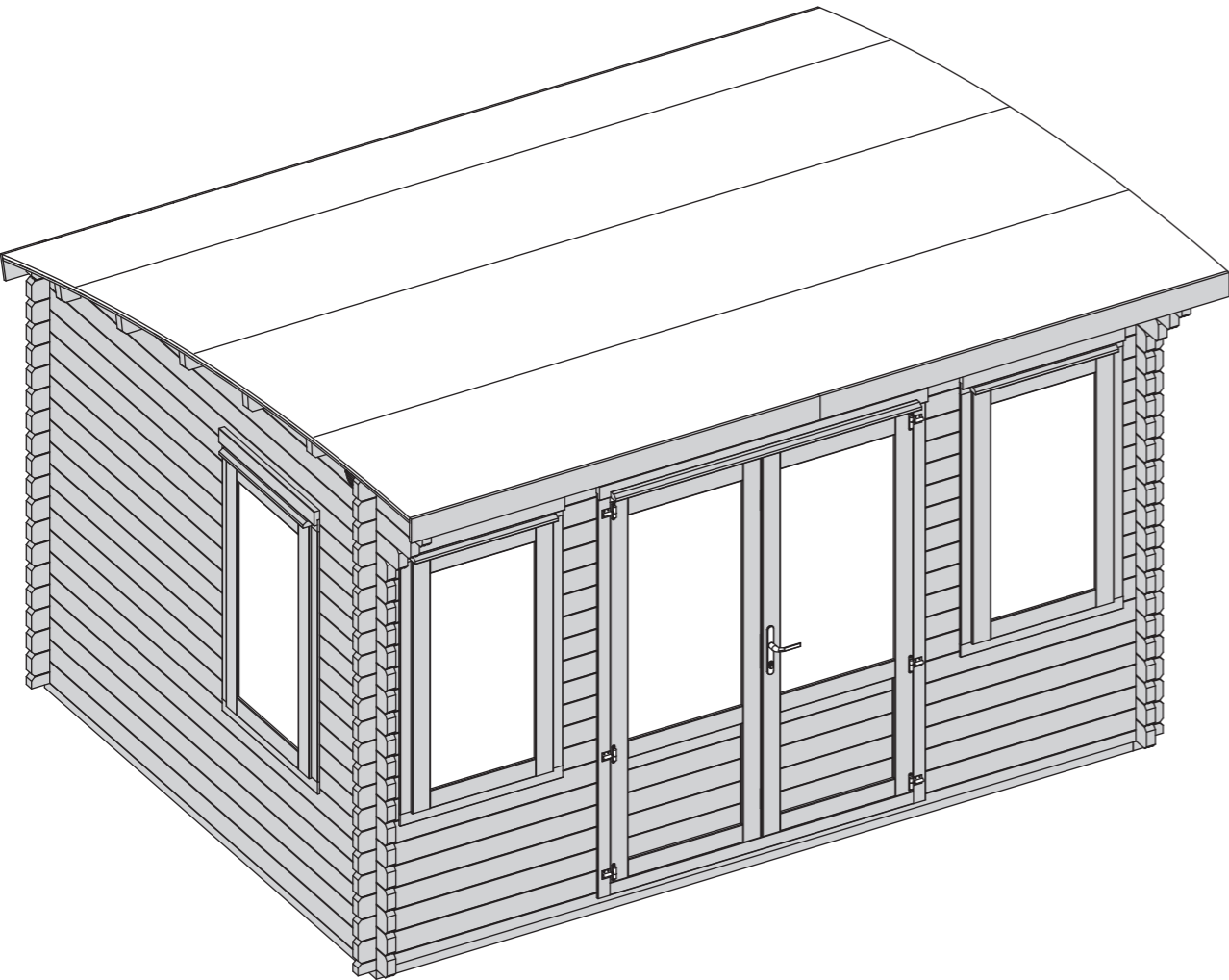
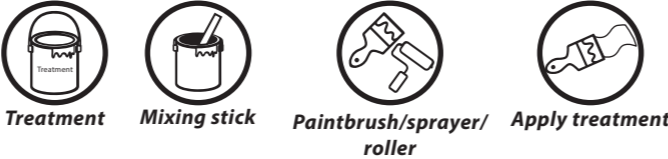
Important: Pre-drill before fixing screws.



Step 36

Once constructed, apply a preserving and a waterproofing treatment to your garden building as soon as possible. This will help to protect your building and prevent decay.

See page 28 for a full guide and instructions.





LEAVE US A REVIEW...

Want to share your experience with us?
Leave us a review on TrustPilot or Google.

Your reviews help other people find and trust our business, as well as helping to play an important role in our growth and improvement!

TREATING YOUR GARDEN BUILDING

Preservation of wood that's outdoors is vital. A little early care will help protect your garden building, improve its appearance and ensure maximum longevity. Insects, moisture, salt, and changing weather can have dramatic effects on the stability and appearance of your garden building. Once your building is installed, you've checked it over and you're happy with it, you can take a few basic precautions to prepare it for the elements. Treating your garden building helps prevent decay and, by repelling water, discourages the growth of moulds and fungi that could jeopardise the structural integrity of the wood.

Dip Treated buildings - Require a preservative treatment to protect against rot and decay and a waterproof treatment to prevent water ingress
Pressure Treated buildings - Require a waterproof treatment to prevent water ingress
Log Cabins/Insulated Garden Rooms - Are supplied untreated and require a preservative and waterproofing treatment.



ANY QUESTIONS?
Scan the QR code to contact us via our customer portal.

To apply a preservative and water proofing treatment (pressure treated products do not require a preserver), follow the manufacturer's instructions but in principle, stick to the following steps:

- ✓ Weather permitting, ensure to treat your garden building within 14 days of installation.
- ✓ Wear latex or rubber gloves, eye protection and (if spraying) a mask.
- ✓ Prepare the wood, by sanding down any ridges or inconsistencies in the wood, smoothing out knots and end-cuts.
- ✓ Choose a dry day to treat your garden building. If you're spraying rather than brushing paint on, avoid a windy day.
- ✓ Be sure you can safely reach all the sections you need to paint - and if you need a ladder, make sure it's safely positioned before climbing. Lay dust sheets around to avoid paint splatters on your base or surrounding plants.
- ✓ Tape around windowpanes to avoid smears when you're painting the frames.
- ✓ Keep pets and small children out of the way. The last thing you want is to have fur on your garden building paint, or little painted footprints all over your garden and home.
- ✓ Fill any gaps in the building's body with caulk or wood filler to prevent water and draughts getting in. Silicone based caulk is flexible and will move with the timber when temperature and humidity change. Allow to dry completely before treating. A handy tip for finding gaps is to go into your garden building and look for light leaking through joins and frames. If light gets in, then so will water.
- ✓ Liberally apply at least two coats of the treatment products with a brush or spray, taking care to allow the first coat to completely dry before applying the second.
- ✓ Make sure the solution permeates the whole of the surface area, especially around natural cracks, end cuts and nail/screw holes.



APPLY WOOD TREATMENT
IMMEDIATELY
AFTER ASSEMBLY



1 Perimeter

Check around the perimeter of your product to ensure there are not trees or plants that are in contact with or overhanging the building. This can affect airflow and overhanging trees, or branches can damage the roof, it is advised to keep plants at a distance.

2 Repair

Inspect the interior and exterior of the product to look for splits, cracks, and holes. Although this is a natural occurrence it can be prevented. A wood filler can be used to close the splits, cracks, and holes.

3 Roof

Check your roof regularly for tears, splits, damaged wood and fallen debris. If you notice any of this immediate repair is critical.

4 Doors & Windows

Expansion and contraction can cause doors and windows to stick or become difficult to open. Small adjustments to the hinge position can be made to the doors and windows to allow free movement.

5 Oil

Hinges can seize up over time, apply lubricant to the hinges and locks annually.

6 Screws & Bolts

It is advised to check all screws and bolts and tighten any loose you might find. For log cabins specifically the storm braces will require loosening. During humidity and temperature changes (seasons) to allow expansion and contraction to prevent gaping, twisting, popping, and warping.

7 Wash

At least once a year, give the outside of you building a good wash, to remove cobwebs, leaves, or any other dirt that may accumulate on the exterior.

8 Airing

Airing your product regularly prevents the build up of condensation which can cause the timber to warp, bow, boards to pop, distortion, rot and mould. Condensation can build up over time or daily, it is caused by a rise and fall in temperature.

Excessive moisture levels within your building can cause water to collect on the roofs, walls and floors internally. Leaving doors and windows open regularly can help combat the natural moisture build up.

9 Storm Braces

The storm braces will need to be altered during the buildings life as the moisture content within the log boards changes, altering the braces will help your building expand and contract properly. The boards will expand during periods of high moisture (Winter) and shrink during periods of low moisture (Summer).

Ensure each bolt is tightened using a washer so as not to damage the log boards.

10 Clean & Tidy

It is good practice to clean the inside and outside of your product regularly. Clear out the contents, sweep the floor, remove dirt and cobwebs. Check for areas of damp and investigate the cause to remove and prevent future occurrences. Check the ground around your product for build up of debris such as leaves, remove and ensure there is clear ventilation underneath the floor.

Additional Playhouse Maintenance:

It is recommended that the following checks and maintenance are carried out at the beginning of each season as well as at regular intervals during the usage season.

- Check all nuts /bolts/ screws for tightness and tighten when required.
- Check for movement / opening of wood giving rise to protrusion of nail heads and tips.
- Check hinges.
- Replace defective parts in accordance with the manufacturers instructions.
- Check any crossbeams, suspensions and anchors.
- If a swing is included; check the swing seat, chains and ropes.

IF THESE CHECKS ARE NOT CARRIED OUT THE ACTIVITY TOY COULD BECOME A HAZARD

All our garden buildings have been designed and manufactured with care and attention to be the perfect addition to your outdoor space. To ensure you do get the best out of your new garden building and to increase the longevity we advise that you follow the product instructions and our manufacturer's recommendations as detailed below. Thank you for choosing a Mercia Garden product!

1 Choosing the most suitable location for your garden building...

A minimum of 60cm should be left around the perimeter of your garden building to allow access for maintenance, annual treatment and to allow air flow around the building.

Where possible you should avoid placing your garden building underneath large trees to prevent the tree causing damage to the building.

2 Preparing the base for your garden building...

All our buildings must be built on a firm, level base to ensure the longevity of the building and prevent the wood from distorting. We recommend either concrete, concrete slabs or a wooden base, such as our 'Portabase'.

The base should be the same size as the building's floor bearer frame. These base dimensions are given on the first page of the contents. This will create a run off for water and preventing water from pooling underneath the building.

We also recommend that the floor of the garden building is a minimum of 25mm above the surrounding ground level to avoid flooding.

3 After installation...

Once your garden building has been installed, it will need to be treated within 14 days (weather permitting) and annually to prevent the timber from deteriorating and to waterproof it. This is required to maintain the anti-rot guarantee.

Dip Treated buildings - Require a preservative treatment to protect against rot and decay

and a waterproof treatment to prevent water ingress.

Pressure Treated buildings - Require a waterproof treatment to prevent water ingress.

Log Cabins/Insulated Garden Rooms - Are supplied untreated and require a preservative and waterproofing treatment.

We also recommend using a silicon sealant on the inside and outside of the windows as soon as possible after assembly and treatment to fully seal the windows.

Roofing felt/covering should be checked annually and replaced or fixed accordingly.

4 General maintenance and wood characteristics

As wood is a natural material it may be affected by the following:

Shrinkage and warping - The timber used in the construction of your garden building will have retained some of its natural moisture content. The moisture content of the timber will vary, depending upon prevailing environmental conditions, which will result in the components either naturally expanding or contracting. As the components dry out, shrinkage may occur. A good waterproofing treatment from the start is the best protection to minimise the effect of moisture loss/intake.

In extended periods of very warm weather getting some moisture to the building will help the overall balance. You can do this by spraying it down lightly with a garden hose. In contrast, after snow fall try to remove the snow as best as possible from the roof to prevent moisture intake and to remove the extra weight.

Top tip - using a garden brush will help you to reach the highest part of the building to remove snow and any debris left from bad weather.

Damp and mould - During the winter months, cold and damp conditions can result in an increased amount of moisture within your garden building, especially when used infrequently. Condensation can form on the timber and other items stored within your garden building. If left this moisture is likely to cause mould and mildew.

To prevent the build-up of moisture, we recommend leaving the door or windows of your building open from time to time, to allow the fresh air to circulate. We also advise against storing wet or damp items in your garden building as this will also increase the level of moisture in the building. If mould or mildew does start to form within your building we recommend using an anti-mould cleaner to remove it and to prevent it spreading, which if left untreated could permanently damage your garden building.

Splits, cracks and knots - You may notice small splits and cracks in some components or holes may appear where knots shrink and fall out. This will not affect the structure of your Garden building however, if you wish to fill them this can be easily done using any good quality wood filler.

Sap - is naturally occurring in wood and may appear in some boards of your garden building. If you wish to remove the sap, we advise waiting until it is dry and then using a sharp knife to carefully remove it. If the removal of the sap causes a hole in the timber, we recommend using a good quality wood filler to fill it.

For more handy hints and tips on how to care and maintain your garden building please refer to the MGP Customer Portal at www.mgplogistics.co.uk

Any further questions?



Contact our Customer Service Team via the MGP Customer Portal at: www.mgplogistics.co.uk

1

Manufacturer's Warranty

All Mercia Garden Products are supplied with a 1 year warranty on all parts against manufacturing defects.

This warranty does not cover movement, warping or splitting of timber products over time.

This warranty will be voided if any of the following occur:

1. The building has been customised or modified/adapted in any way.
2. The person claiming is not the original purchaser of the building.
3. Any damage has been caused by or as a result of misuse.
4. The building has not been maintained and cared for in accordance to our advisories and manufacturer's recommendations.
5. The building has not been treated annually or as per the manufacturer's recommendations, please ensure receipts are kept to validate this claim.
6. The building has not been erected, fitted or installed as per the supplier instructions.
7. The building has not been erected on a suitable sized firm flat, solid level concrete/slab base or placed on pressure treated bearers.
8. The building is or has been placed with 2 feet (600mm) of any obstructions (walls, trees, plants, fences etc.) which can allow moisture to penetrate the timber.
9. The roofing felt has been incorrectly fitted or damaged, allowing water ingress, or has not been properly maintained.
10. Any windows and joints have not been sealed, inside and out, with silicone or other watertight sealant.
11. Any timber has been cut, pierced or drilled without subsequent application of approved cut-end treatment.

REGISTER FOR YOUR
10 YEAR
ANTI-ROT
GUARANTEE TODAY



www.mgplogistics.co.uk

2

Anti-rot Guarantee

Mercia Garden Products offer a 10 year anti-rot guarantee on all dip treated (a preparatory treatment) and 15 years on all pressure treated products. This guarantee covers solid timber against rot, decay, blue stain and insect attacks.

To validate the guarantee, the building must be treated (as detailed within manufacturer's recommendations) within 14 days (weather permitting) of assembly and annually thereafter.

This guarantee does not cover movement, warping or splitting of timber products over time.

This guarantee will be voided if any of the following occur:

1. The building has been customised or modified/adapted in any way.
2. The person claiming is not the original purchaser of the building.
3. Any damage is caused by or as a result of misuse.
4. The building has not been maintained and cared for in accordance to our advisories and manufacturer's recommendations.
5. The building has not been treated annually or as per the manufacturer's recommendations, please ensure receipts are kept to validate this claim.
6. The building has not been erected, fitted or installed as per the supplier instructions.
7. The building has not been erected on a suitable sized firm flat, solid level concrete/slab base or placed on pressure treated bearers.
8. The building is or has been placed with 600mm of any obstructions (walls, trees, plants, fences etc.) which can allow moisture to penetrate the timber.
9. The roofing felt has been incorrectly fitted or damaged allowing water ingress, or has not been properly maintained.
10. Any windows and joints have not been sealed, inside and out, with silicone or other watertight sealant.
11. Any timber has been cut, pierced or drilled without subsequent application of approved cut-end treatment.